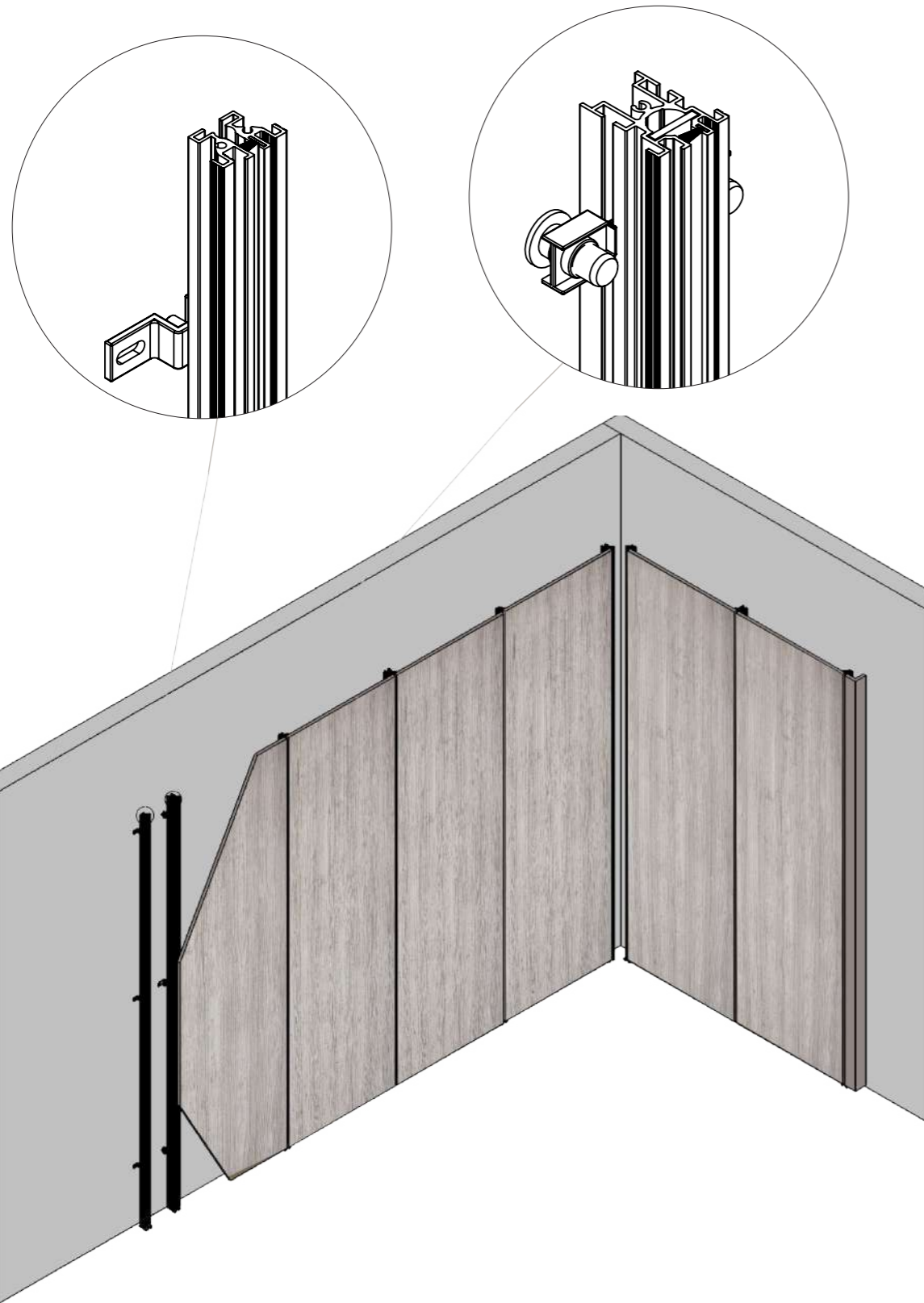
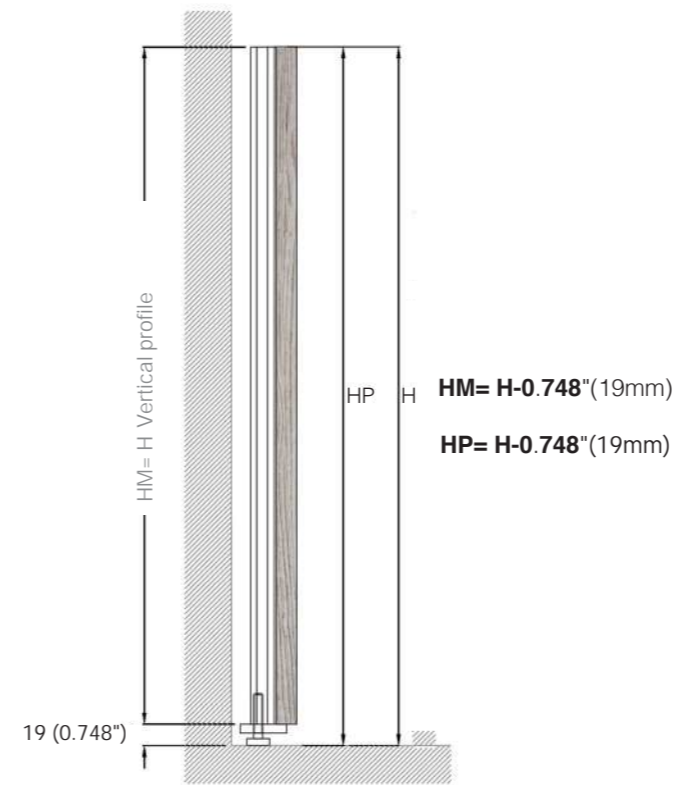


TS-603 Vertical rack profile

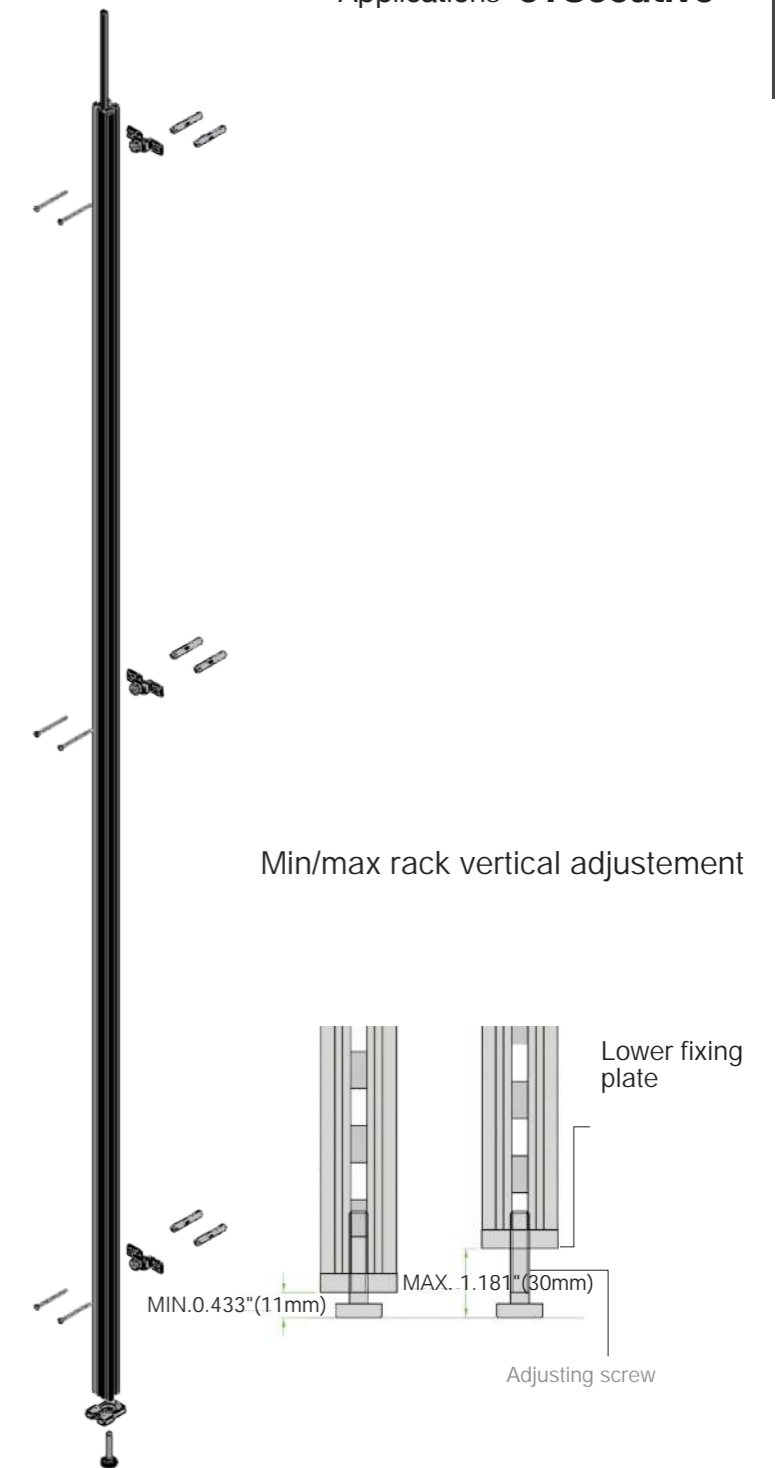
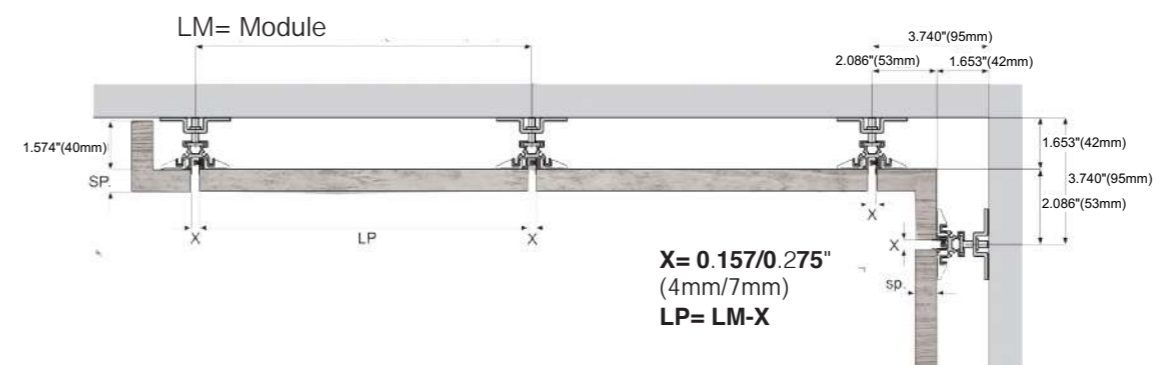
TS-604 Vertical rack profile

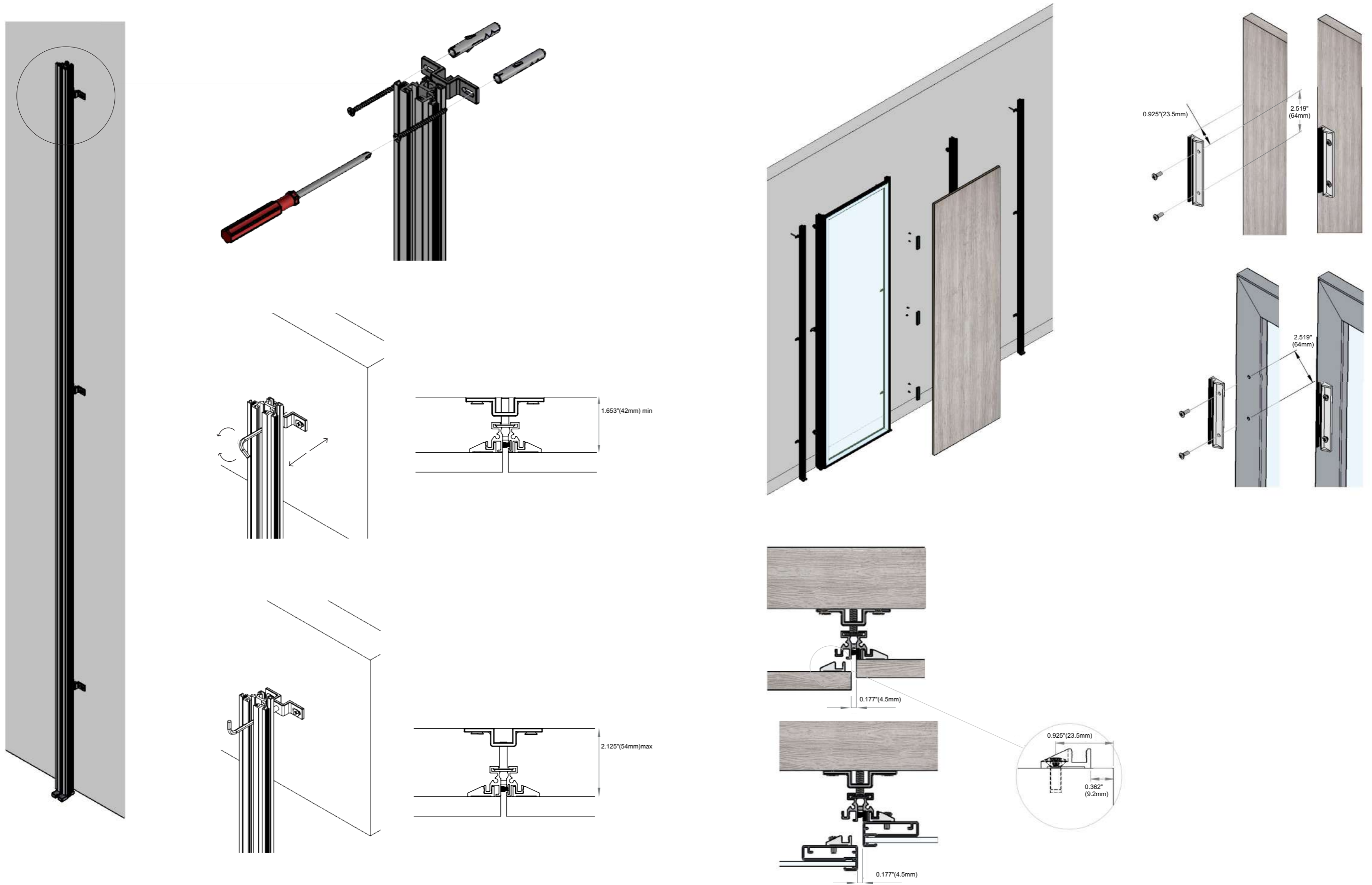


Vertical section TS-603

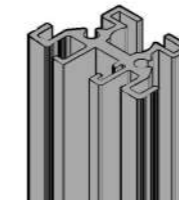
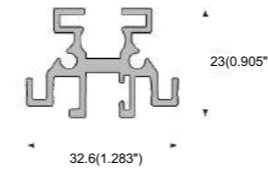
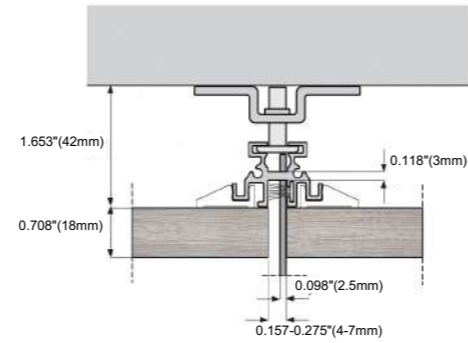
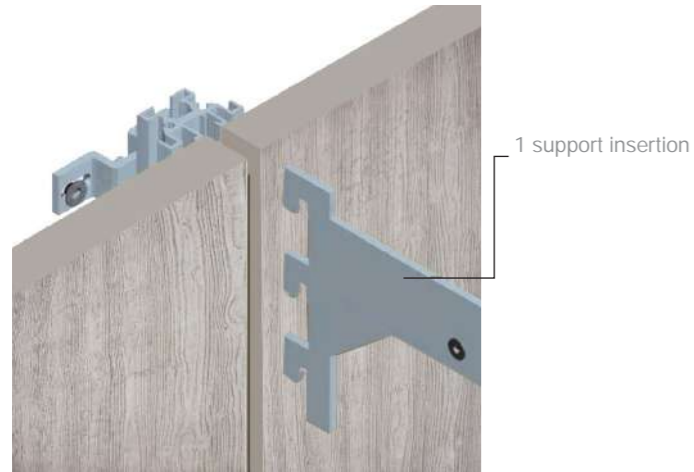


Horizontal section TS-603

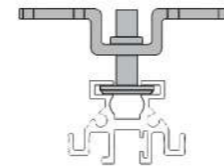




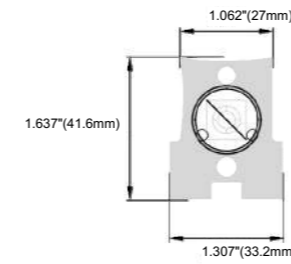
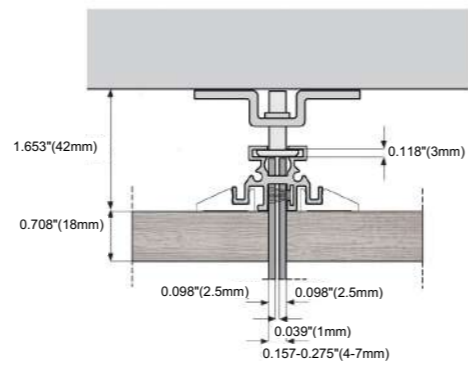
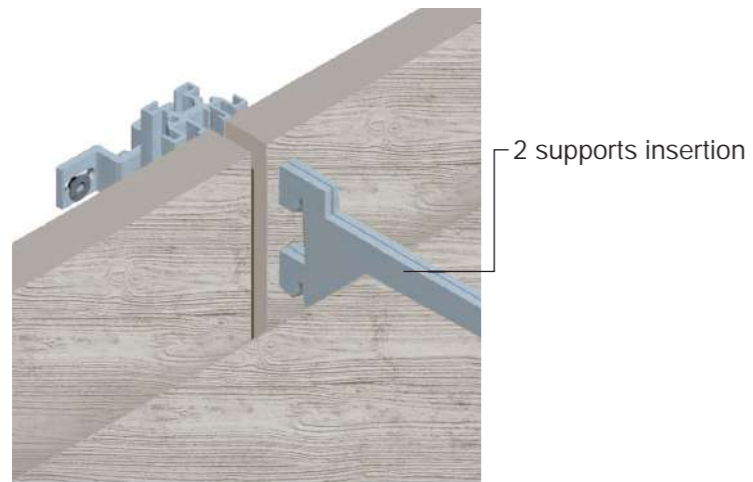
Clip fixing to the wooden panel



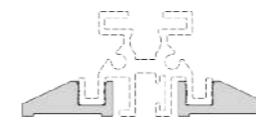
TS-603 Vertical profile



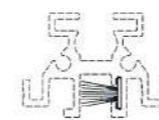
TS-80 Wall fixing support



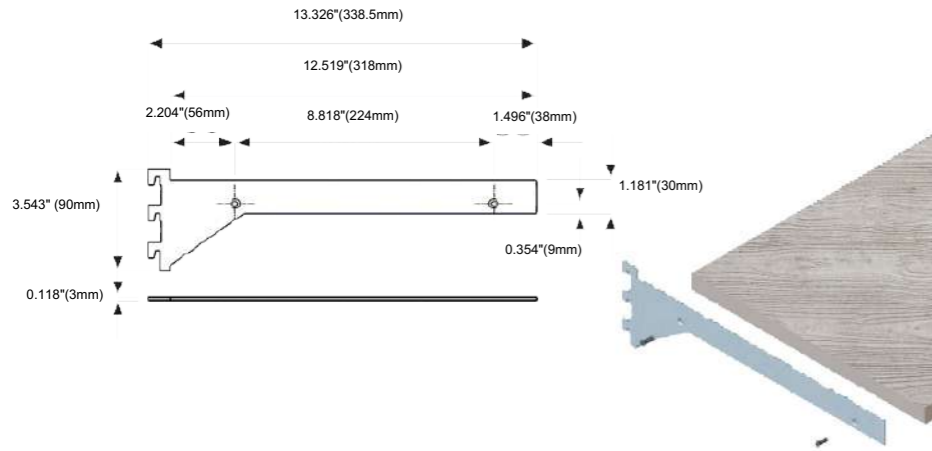
S-100S Adjusting foot with screw for TS-603 profile



Clip-TS Hooking clip for wooden panel, glass frames and frames

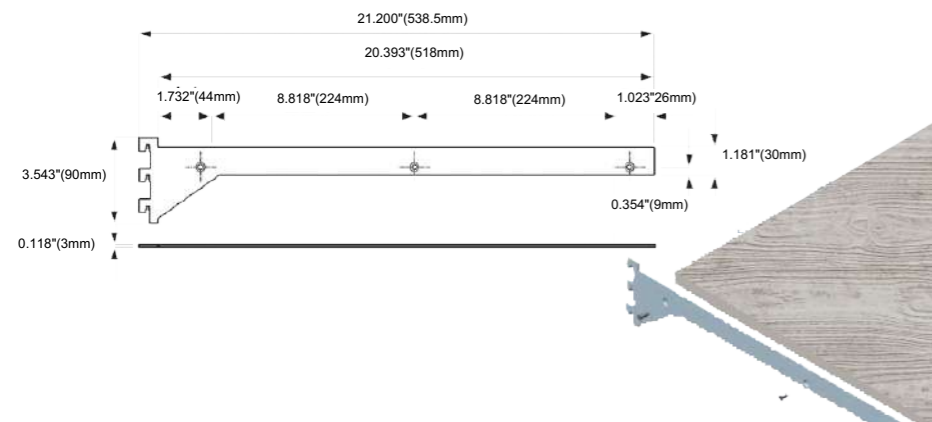


SE-963 Covering brush for TS-603



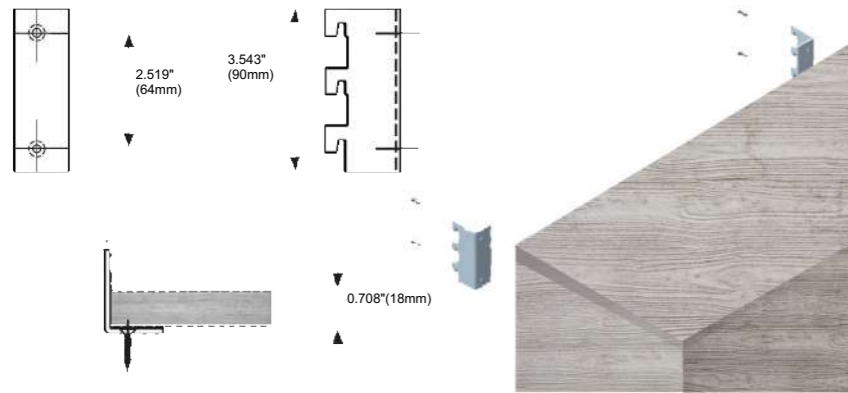
TS-50 Bracket for shelf P300 painted iron

Customizable for size and thickness

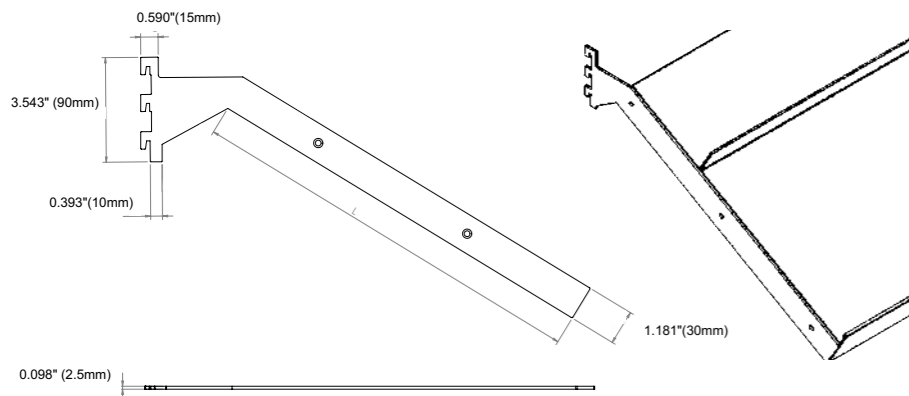


TS-50 Bracket for shelf P500 of silver painted iron

Customizable for size and thickness

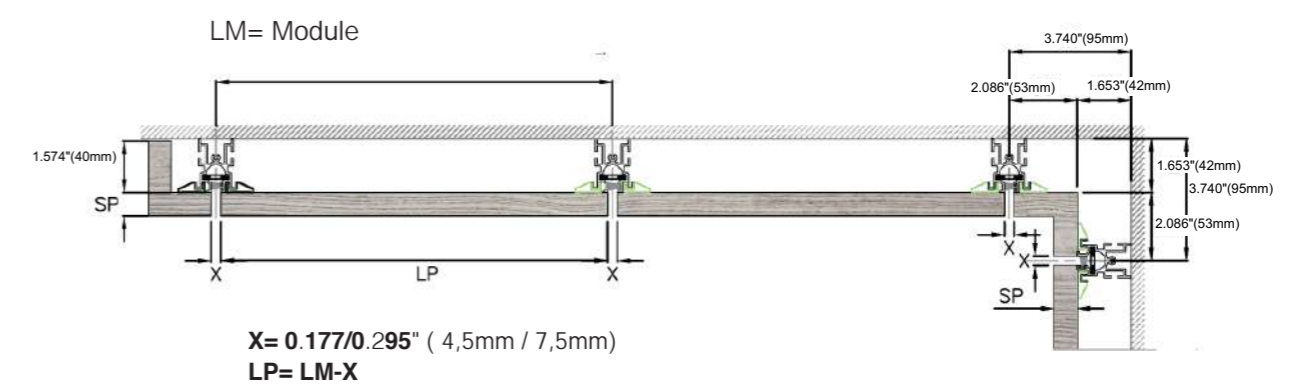
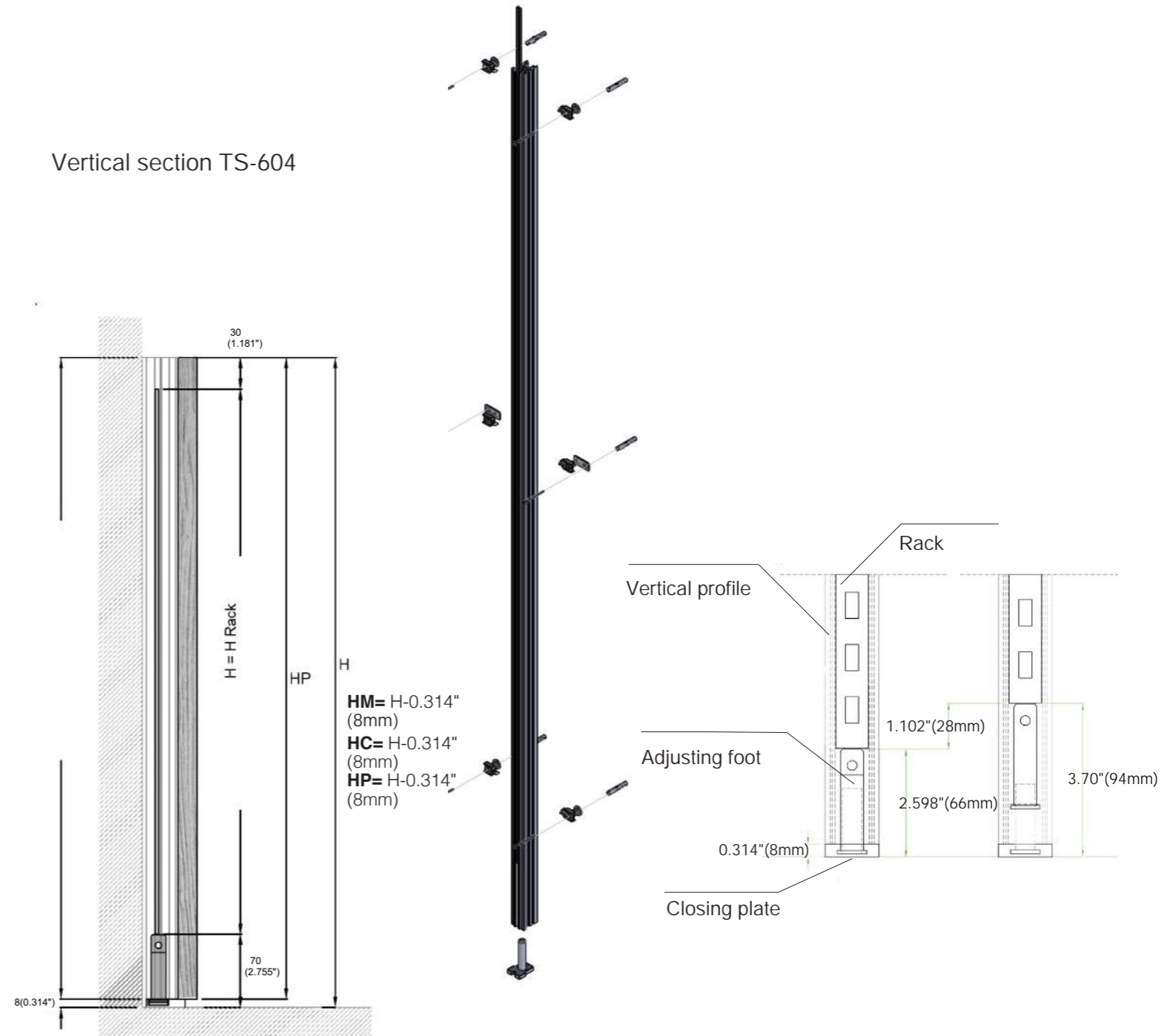


TS-70 Supporting bracket for 18mm(0.708\") thick panels.

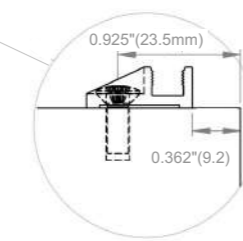
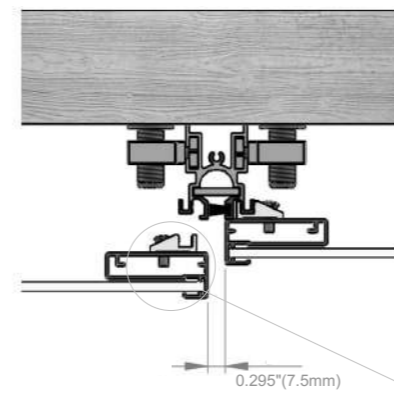
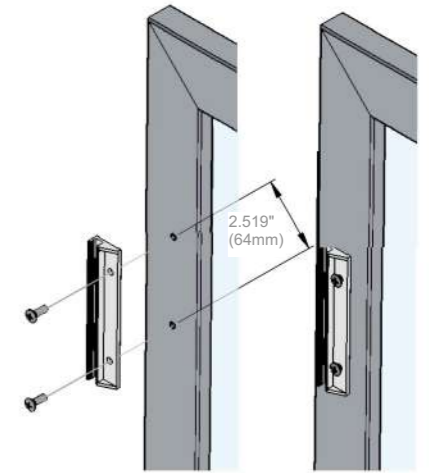
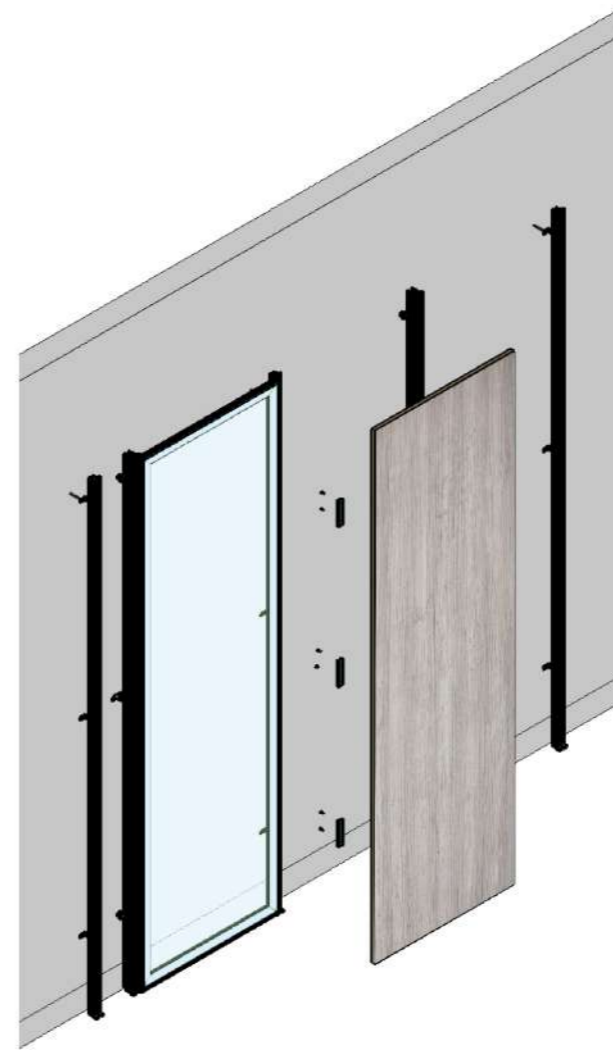
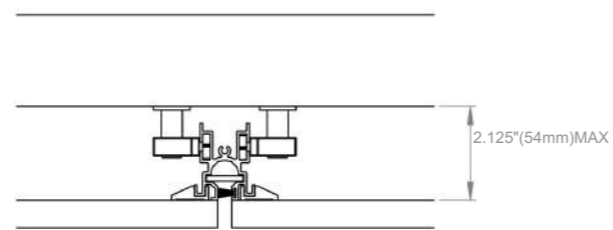
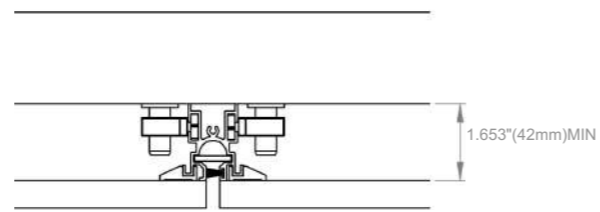
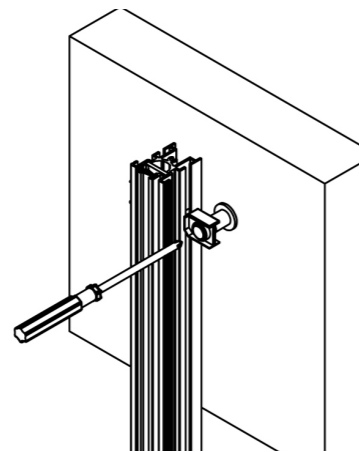
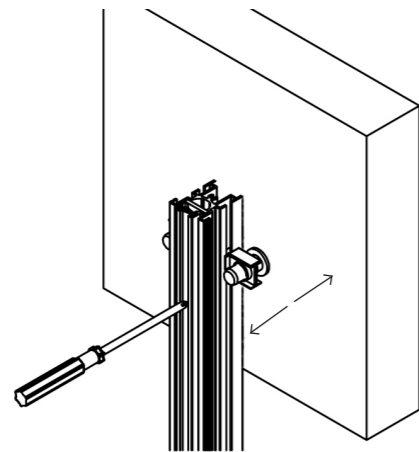
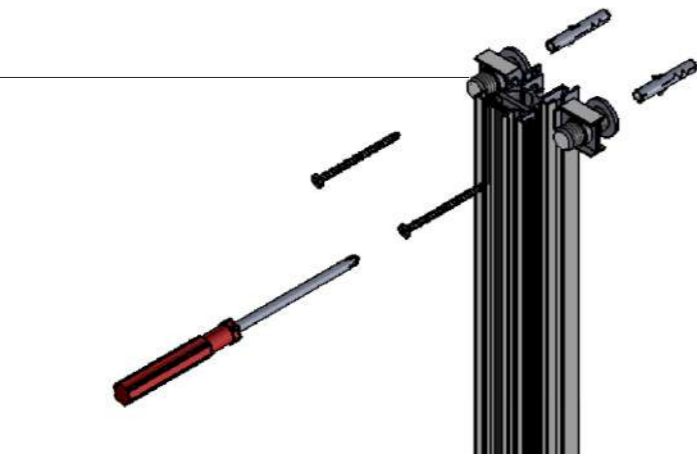


TS-PI Personalized supports Specify measures and application

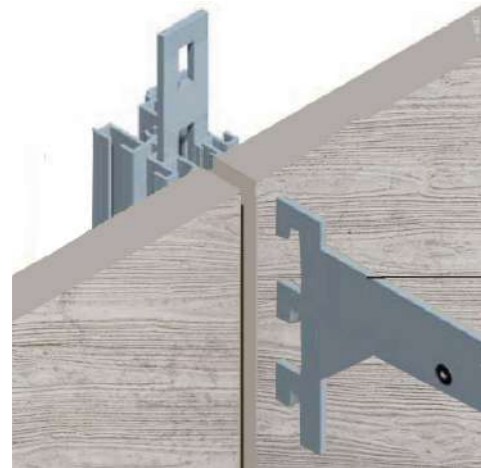
Vertical section TS-604



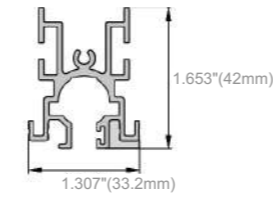
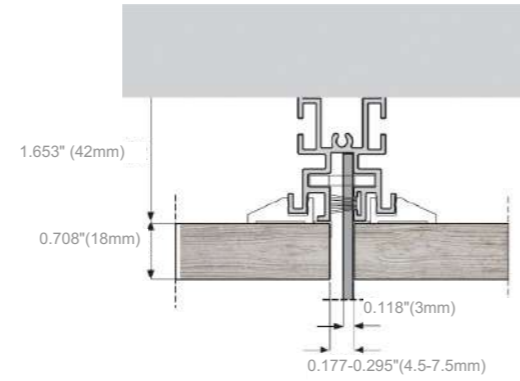




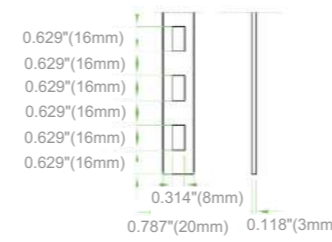
Clip fixing to the wooden panel



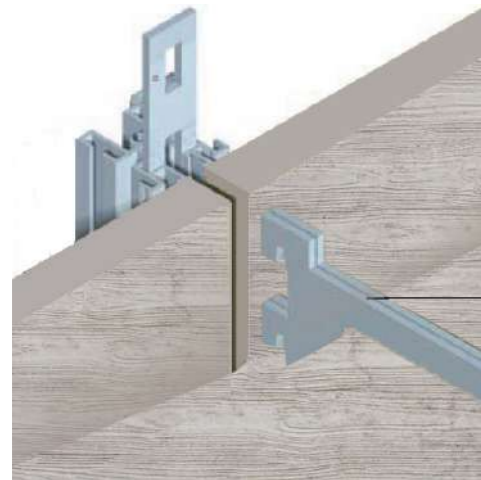
1 support insert introduction



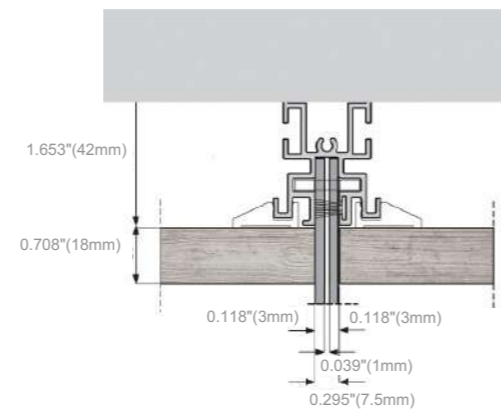
TS-604 Vertical profile



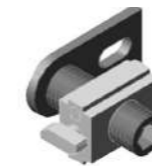
CL-30 Rack



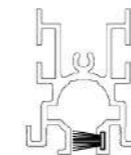
2 supports insert introduction



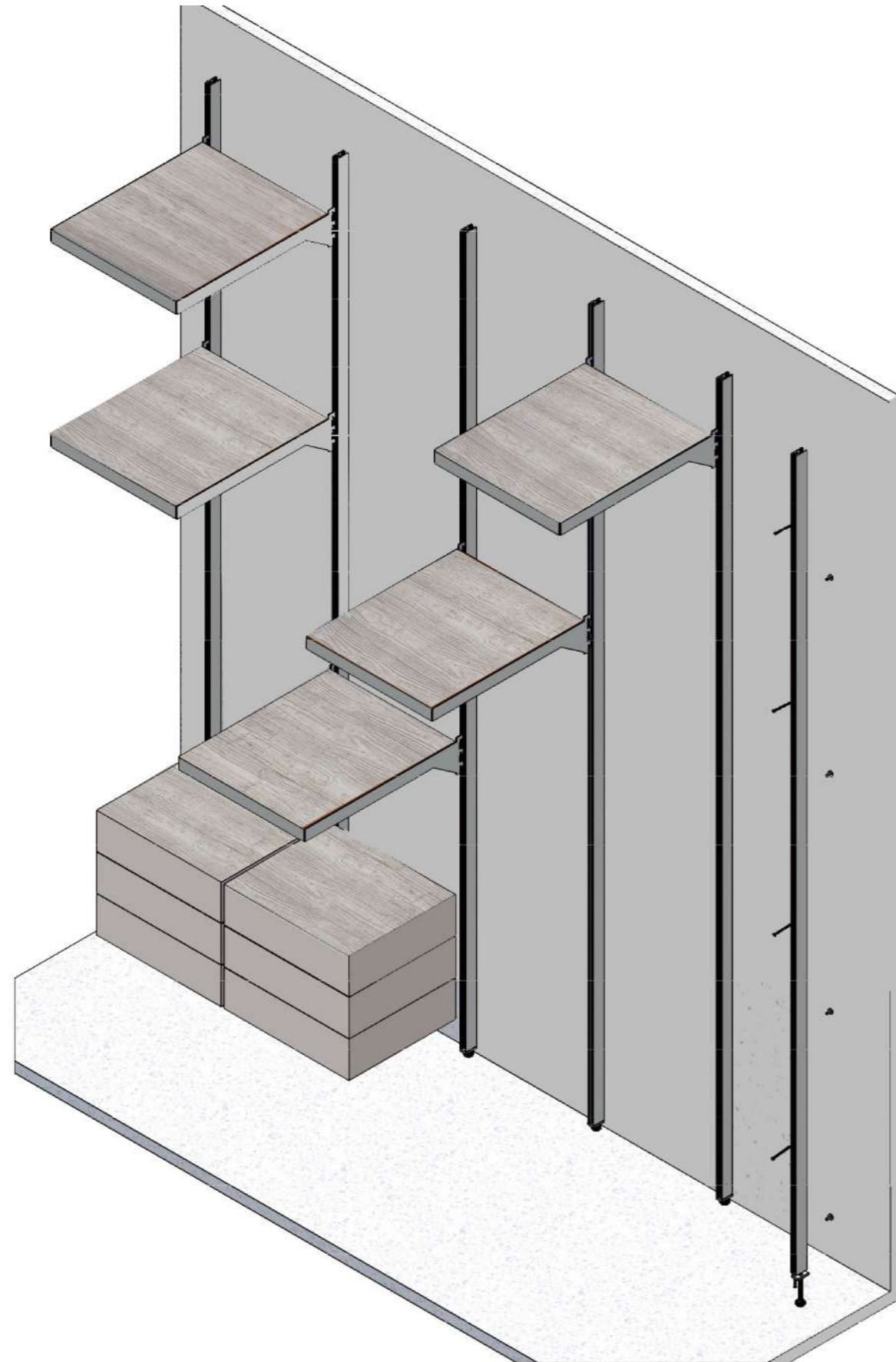
GIU-604 Spacing joint for vertical adjustment of vertical profile



GIU-604R Rotating spacing joint for vertical adjustment of vertical profile



A10.523 Covering brush

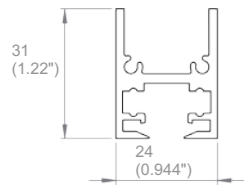
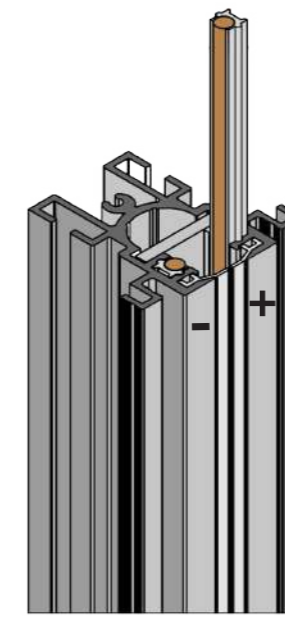
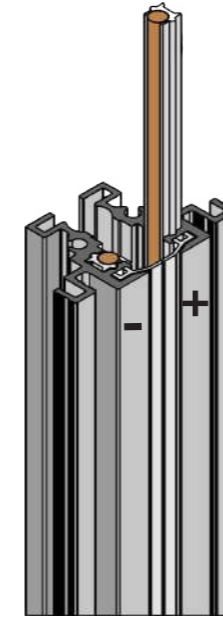
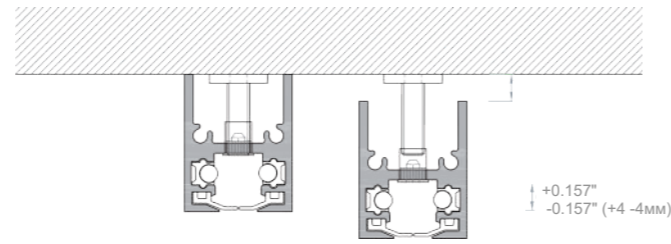




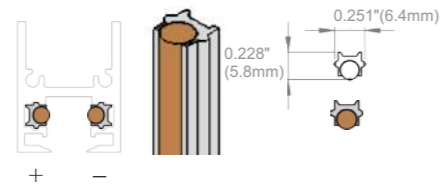


TS-603 Profile Electrified

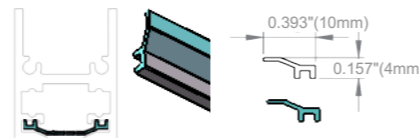
TS-604 Profile Electrified



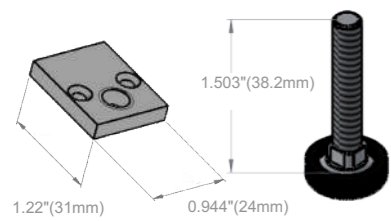
TS-880 Profile Electrified



OL-ER Extrusion PVC copper (polyvinyl chlorifr)



GU-C Closing gasket



PA-TRE Rack and foot



RP-880R Rack adjusting scrow in depth

