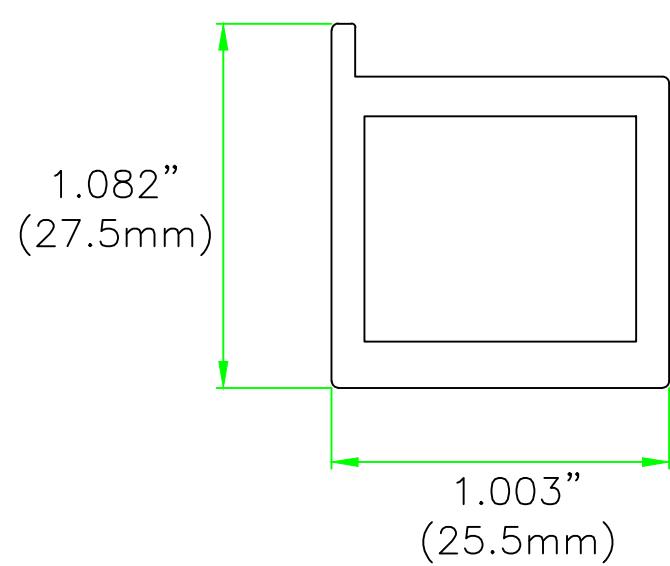


ANTA IKS

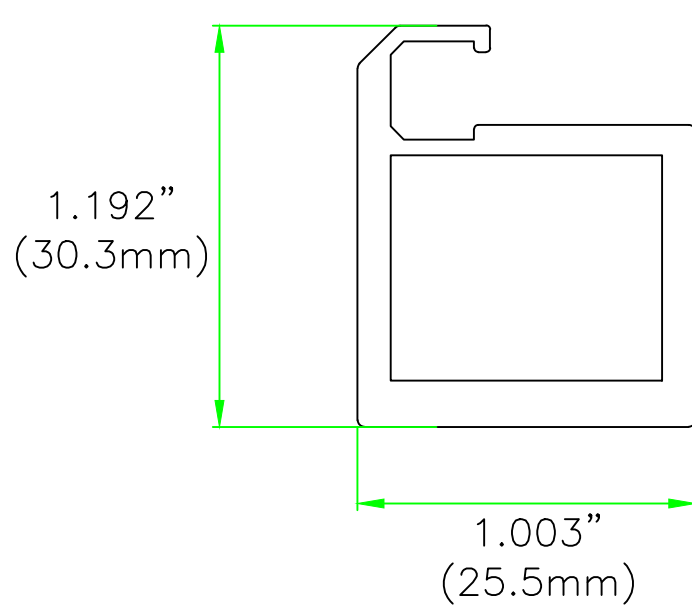


Profiles and Accessories for Iks Door assembling



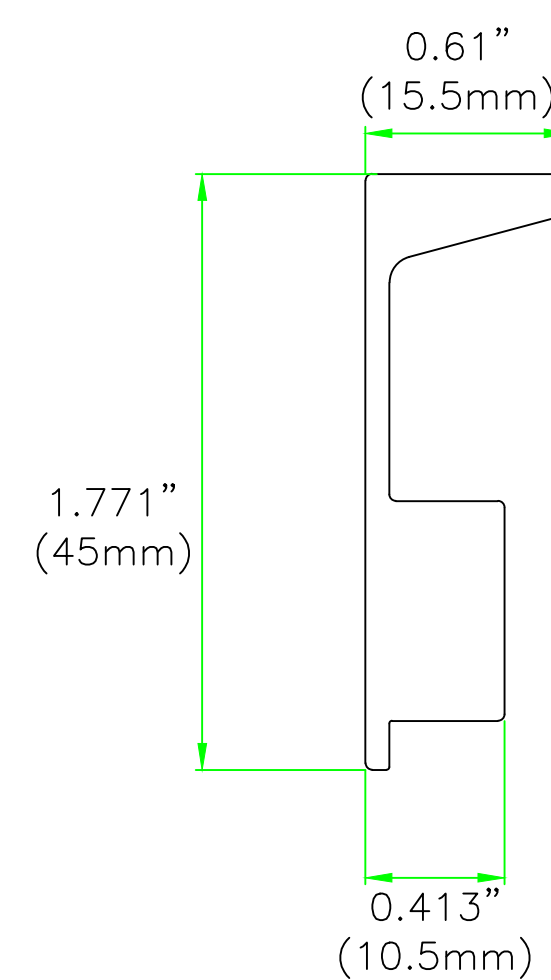
IS-954

door profile with glue glass



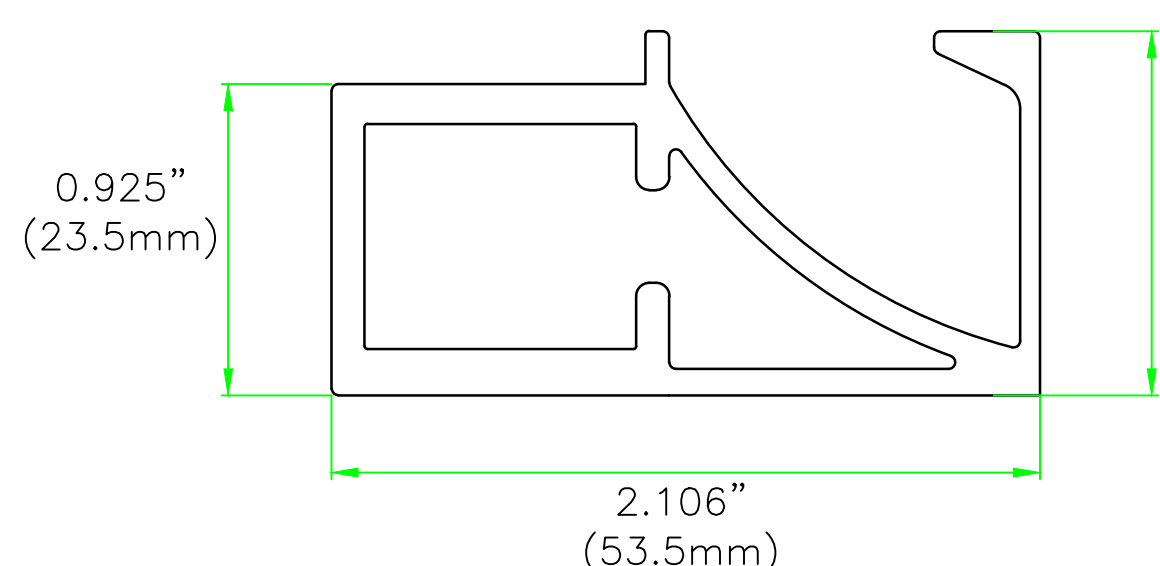
IS-955

door profile with gasket for glass



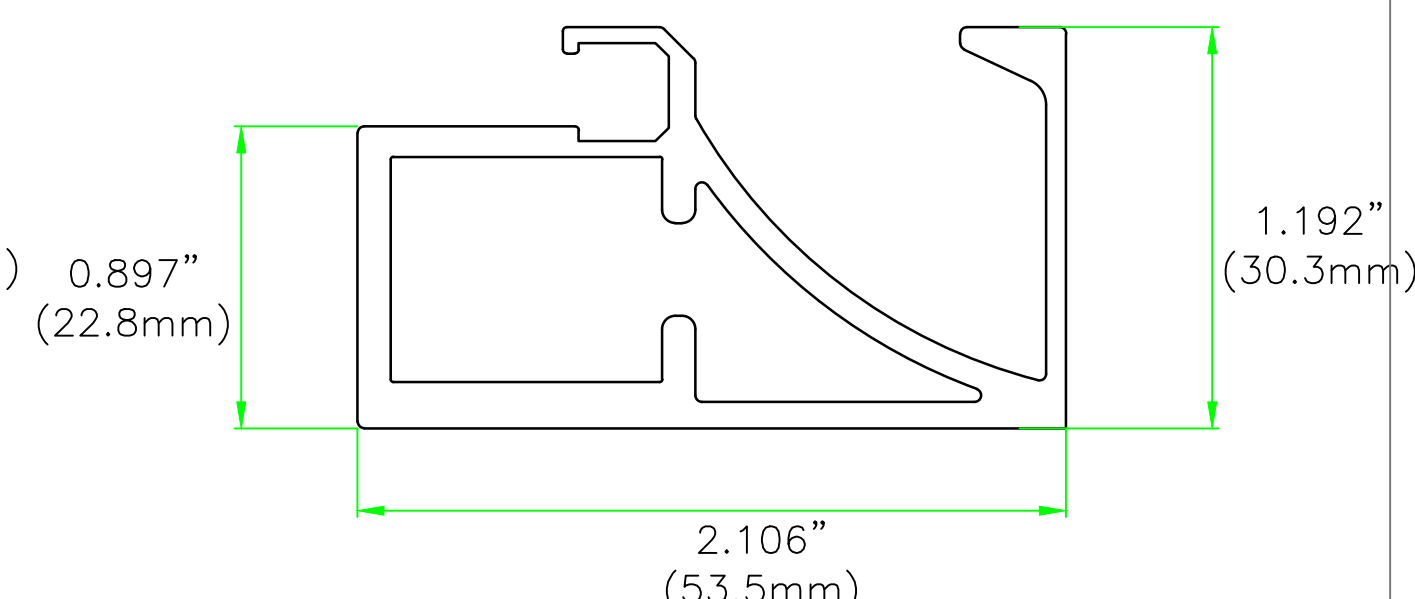
IS-986

Handle profile (standard height 200 mm)



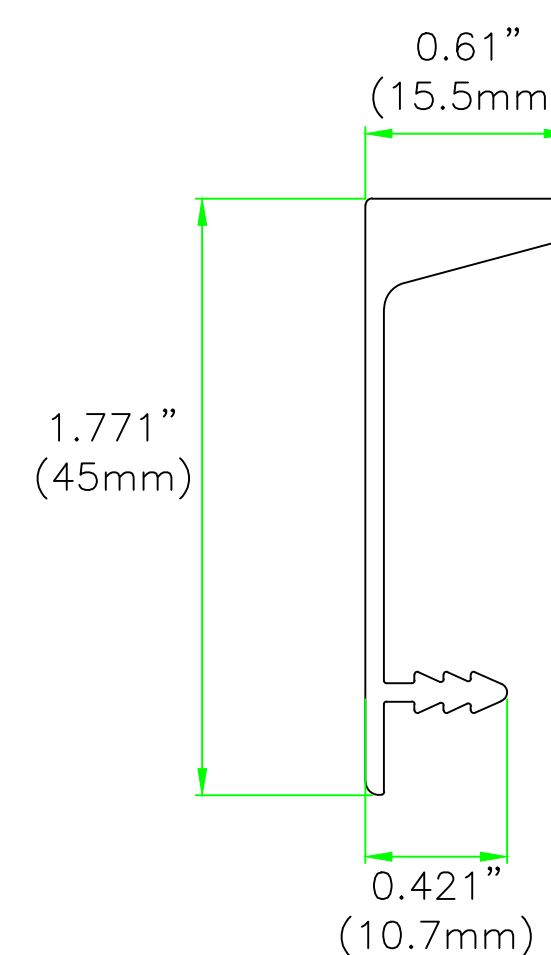
IS-954M

door handle profile with glue glass



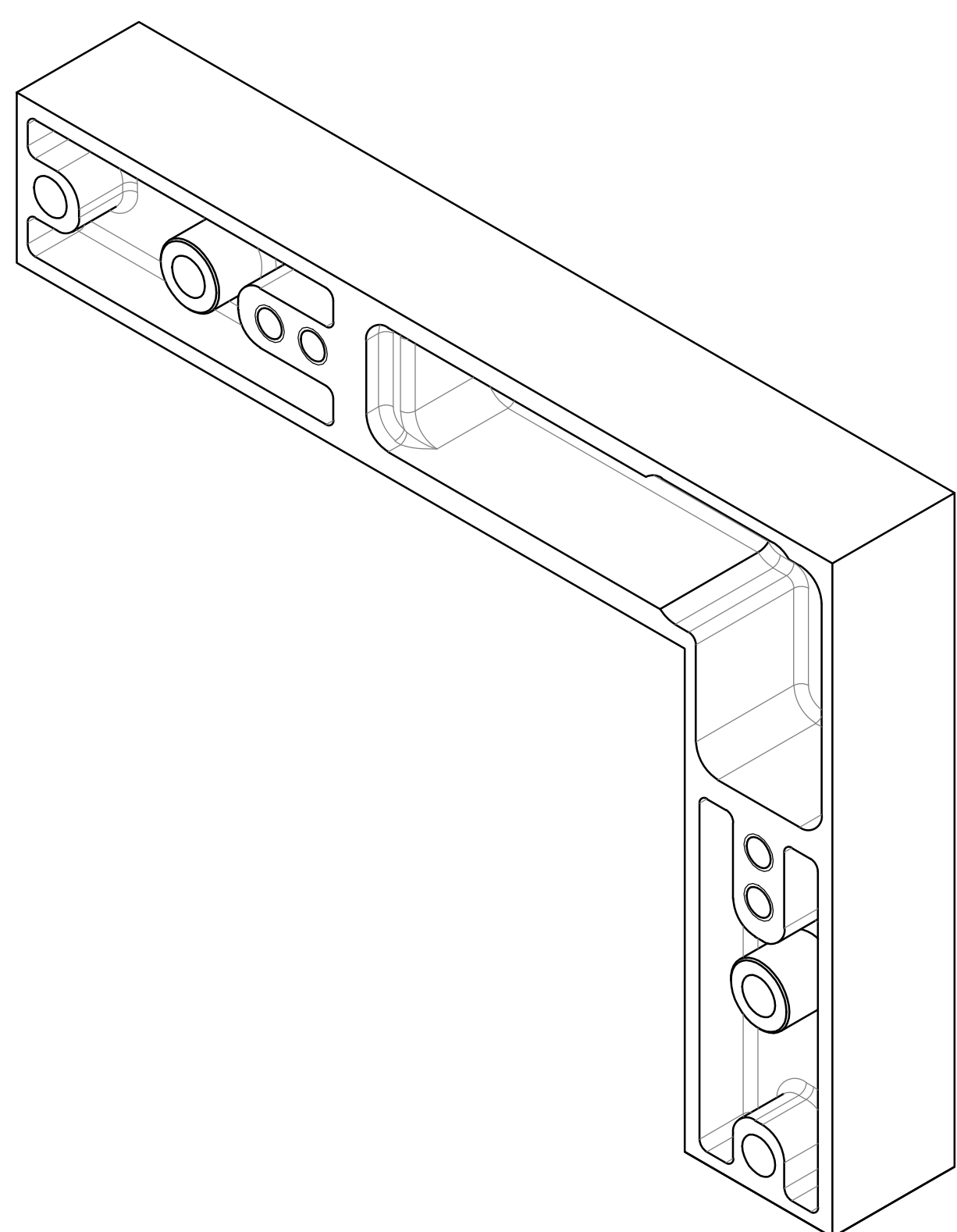
IS-955M

door Handle profile with gasket for glass



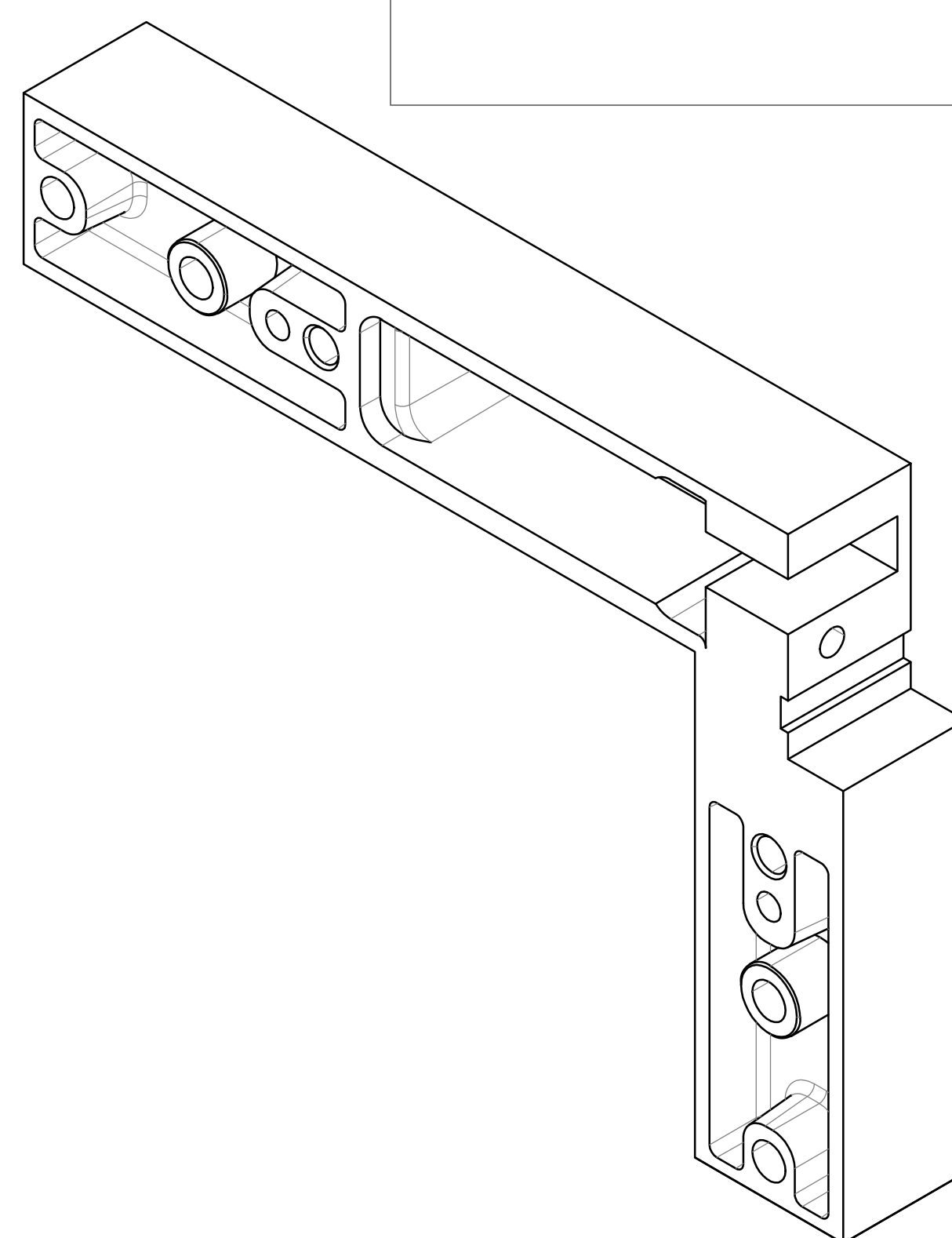
IS-978N

Handle profile for wood



IS-G

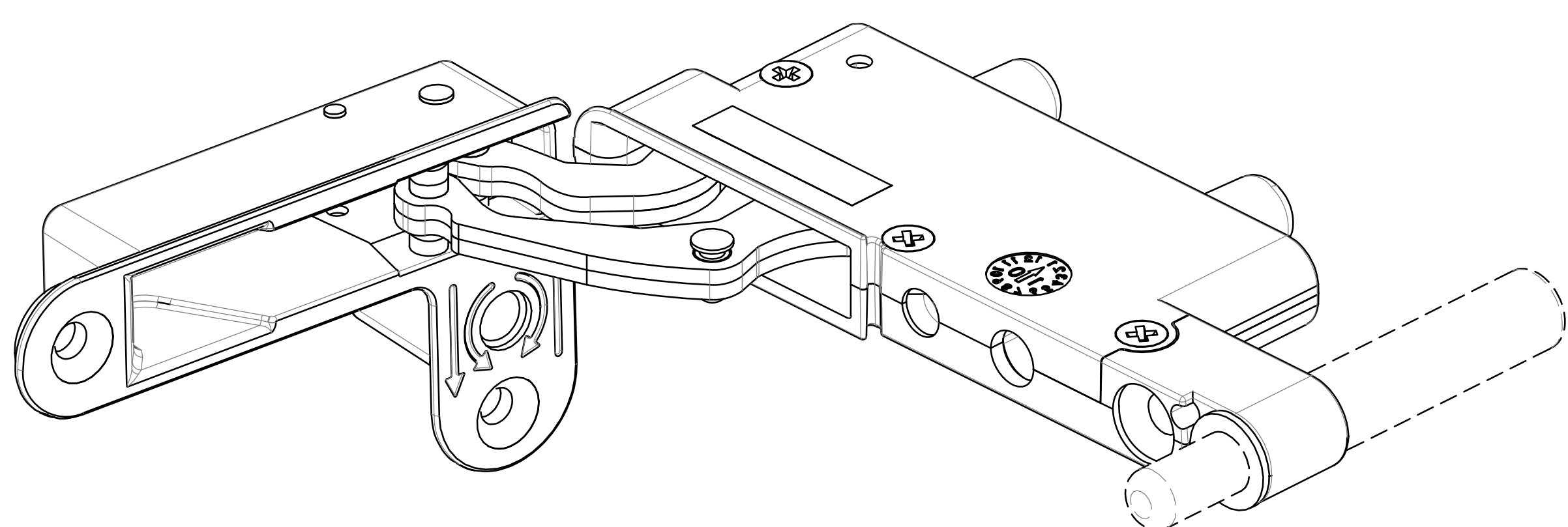
right / left connecting joint IKS door with hinge IS-CE33 / IS-CE33-PI



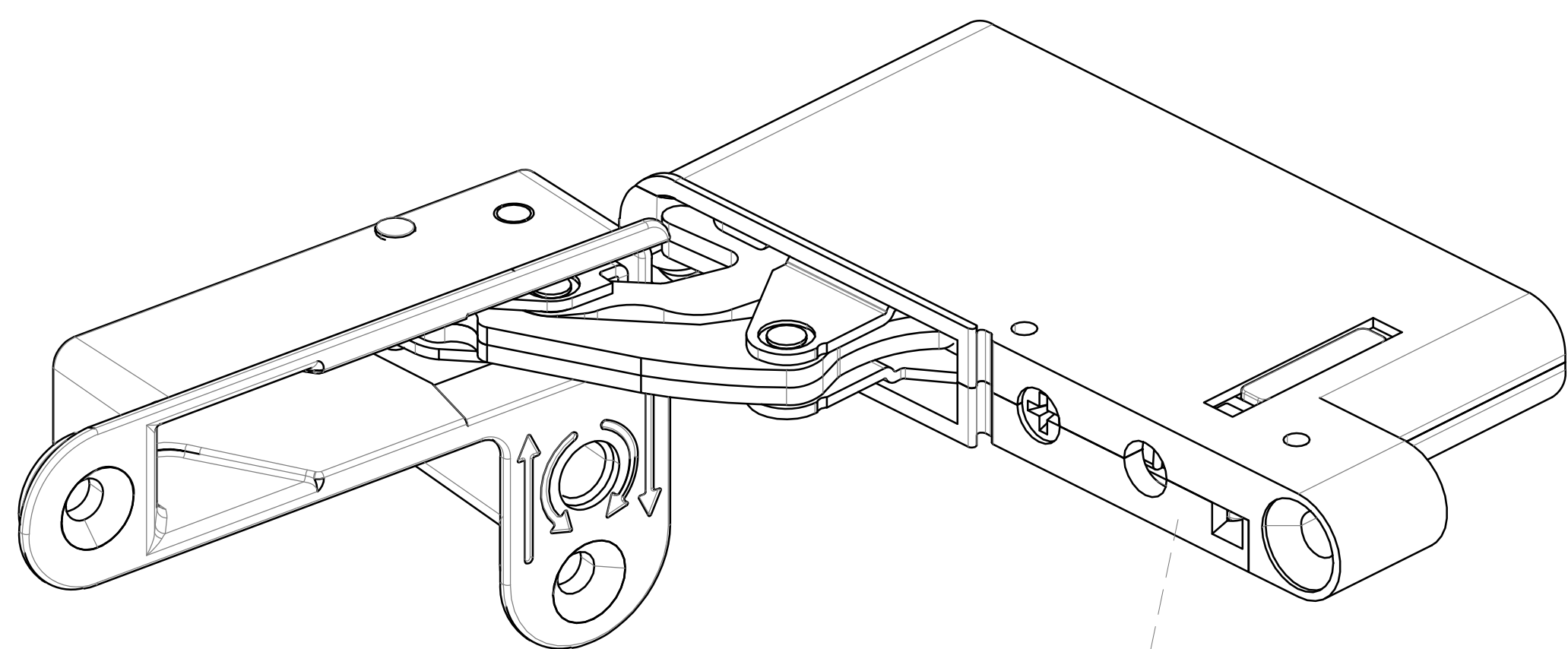
IS-G-180°

right / left connecting joint IKS door with hinge IS-180

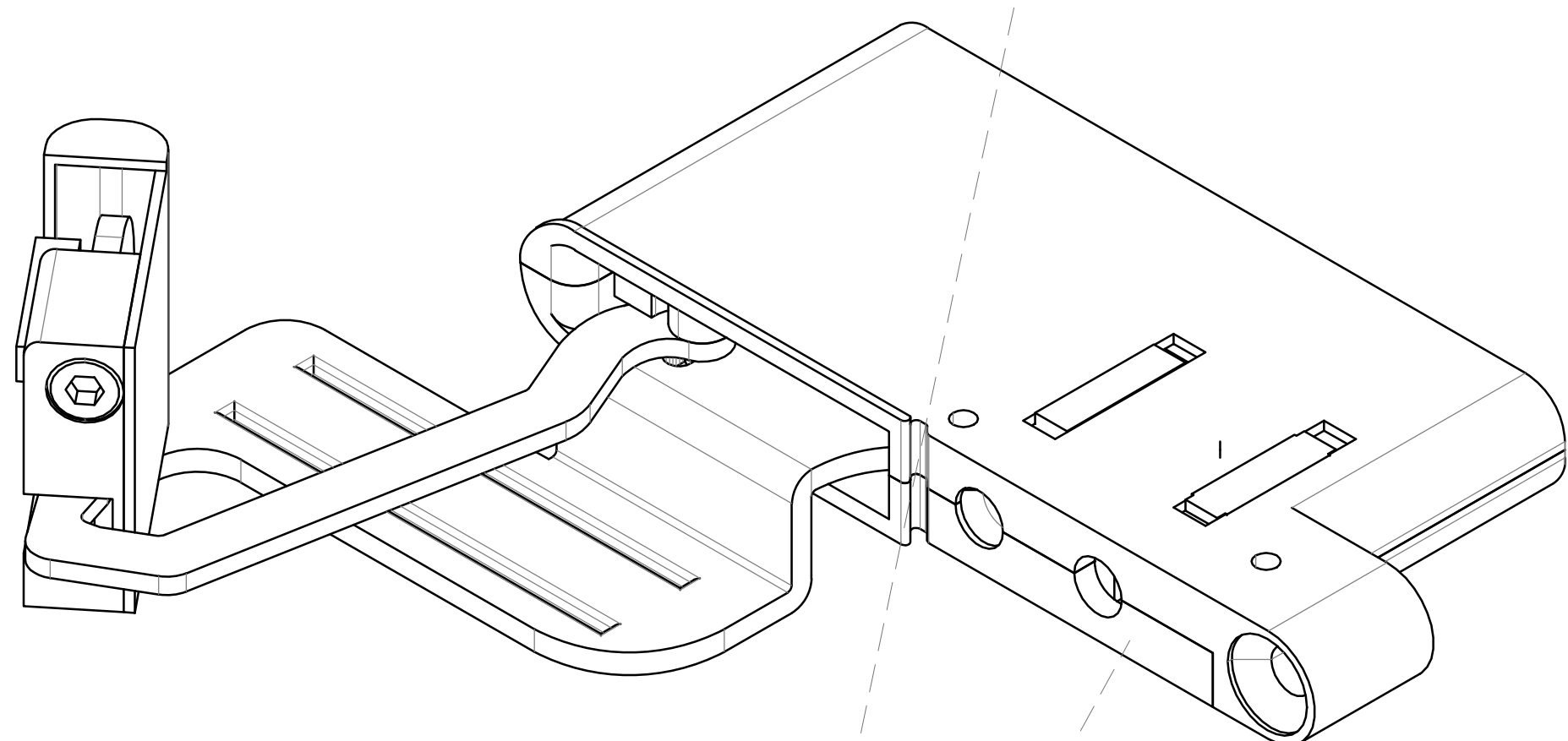




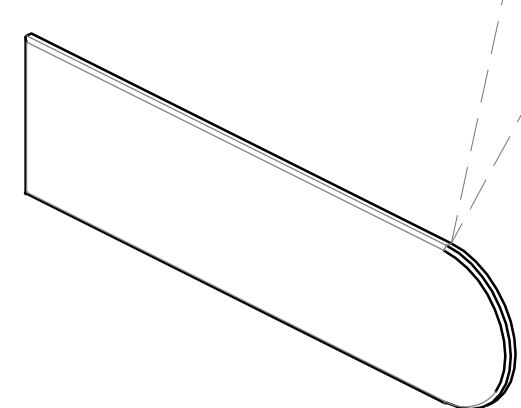
IKS Hinge IS-CE33
Opening 95° and door Load Limit 33 Kg



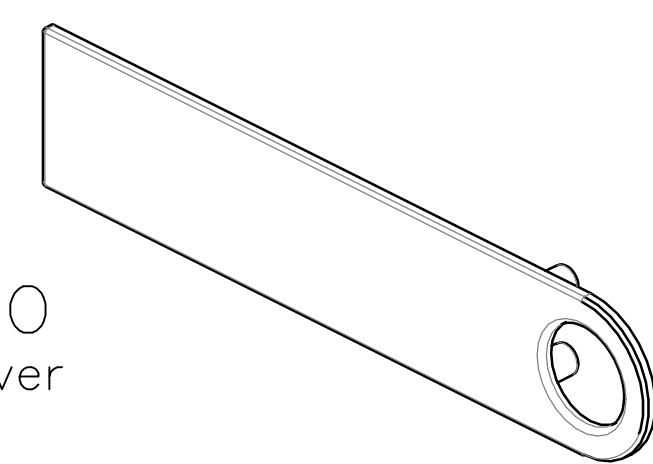
IKS Hinge IS-CE33-PI with
integrated piston
Opening 95° and door Load Limit 33 Kg



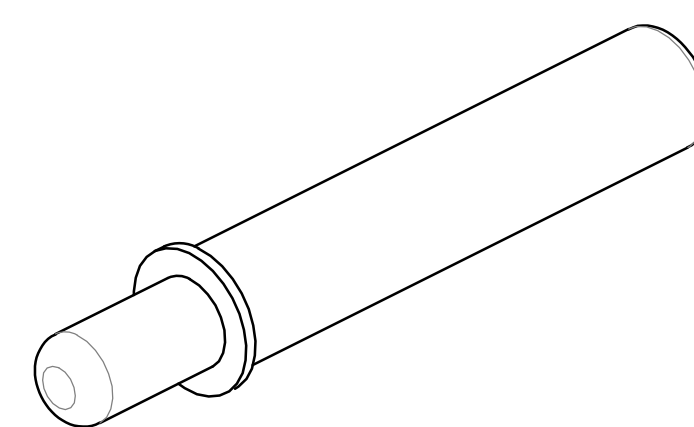
IKS Hinge IS-CE-180
Opening 160°,
door Load Limit 33 Kg



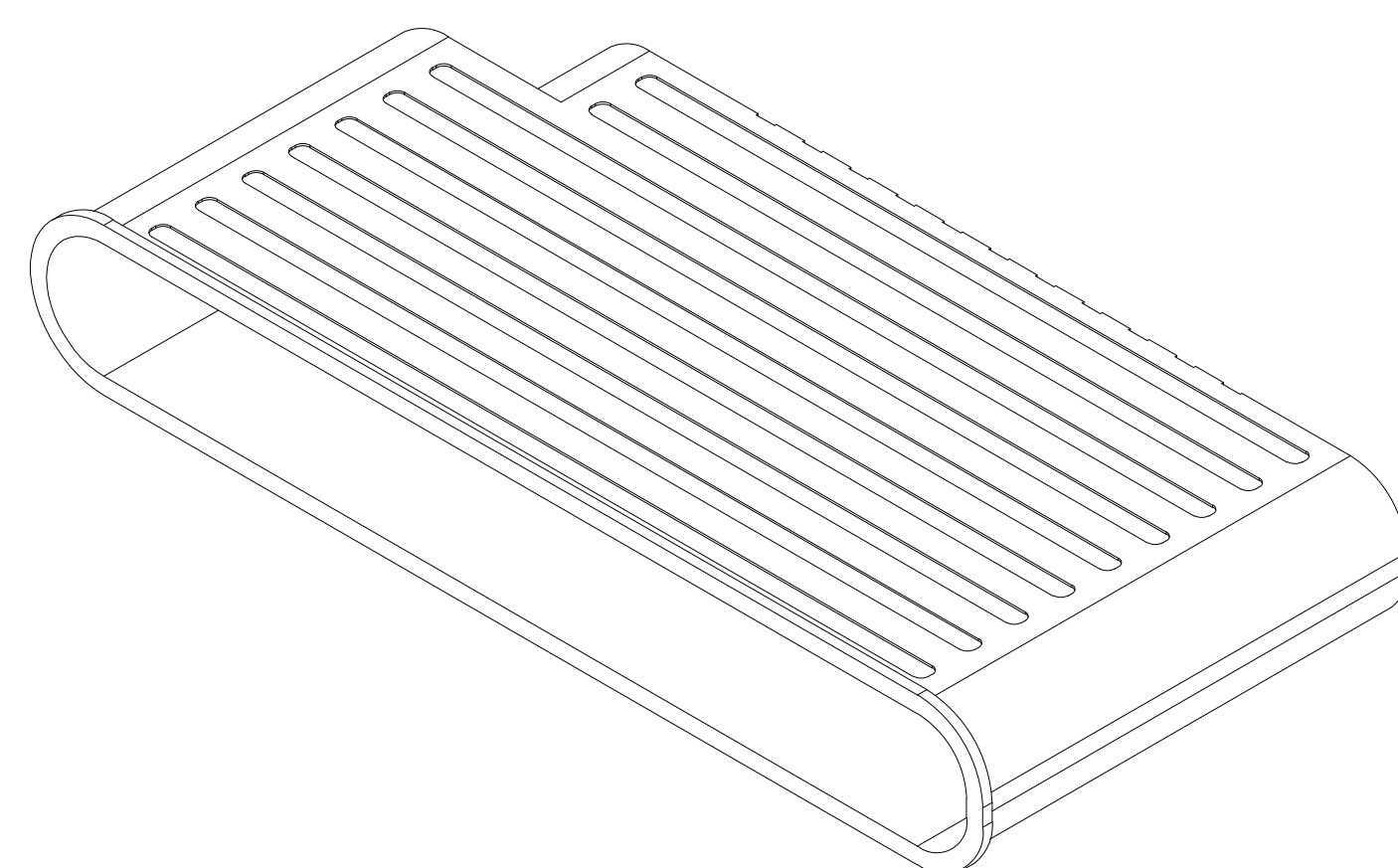
IS-MO-PI
Hinge cover



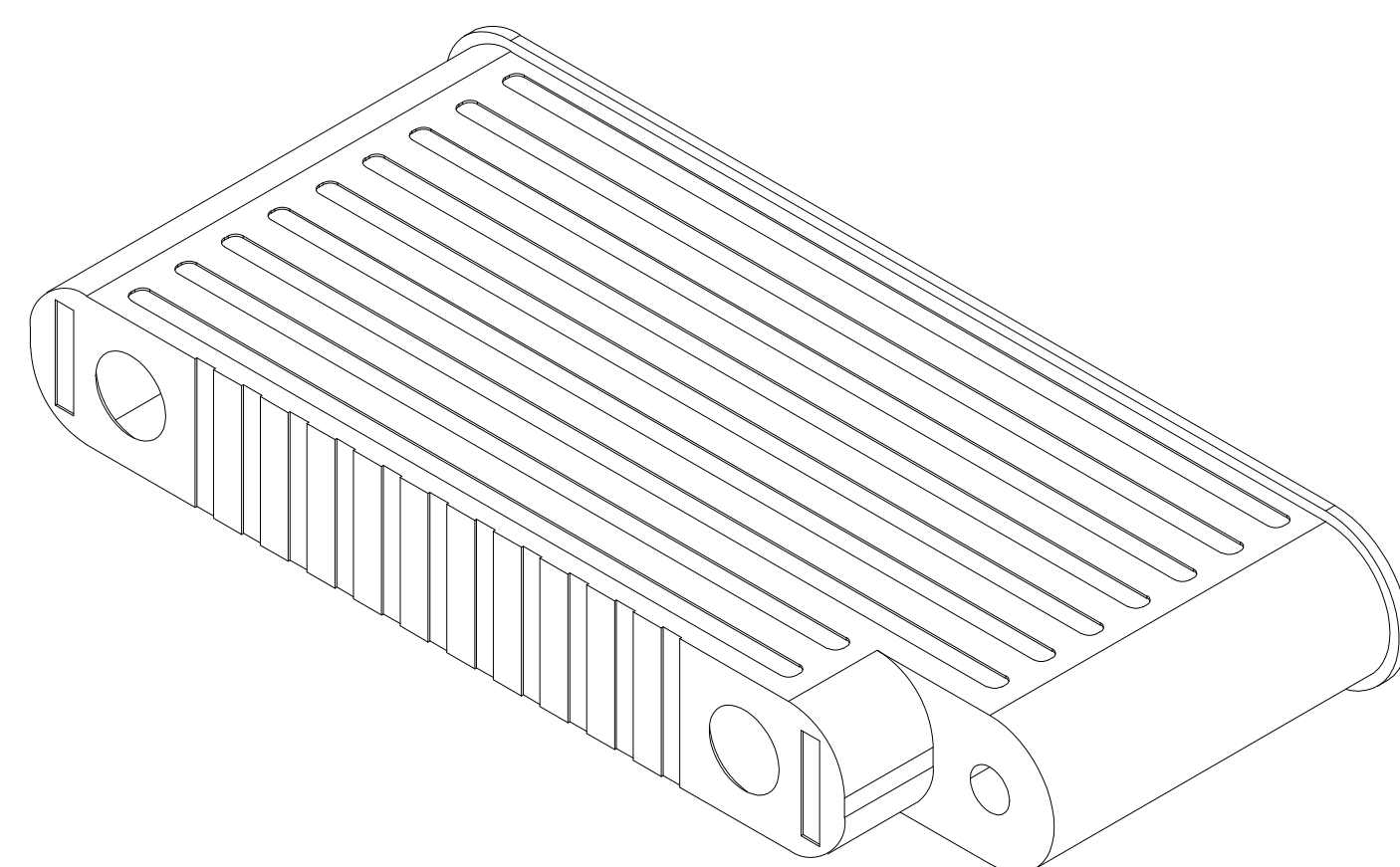
IS-MO
Hinge cover



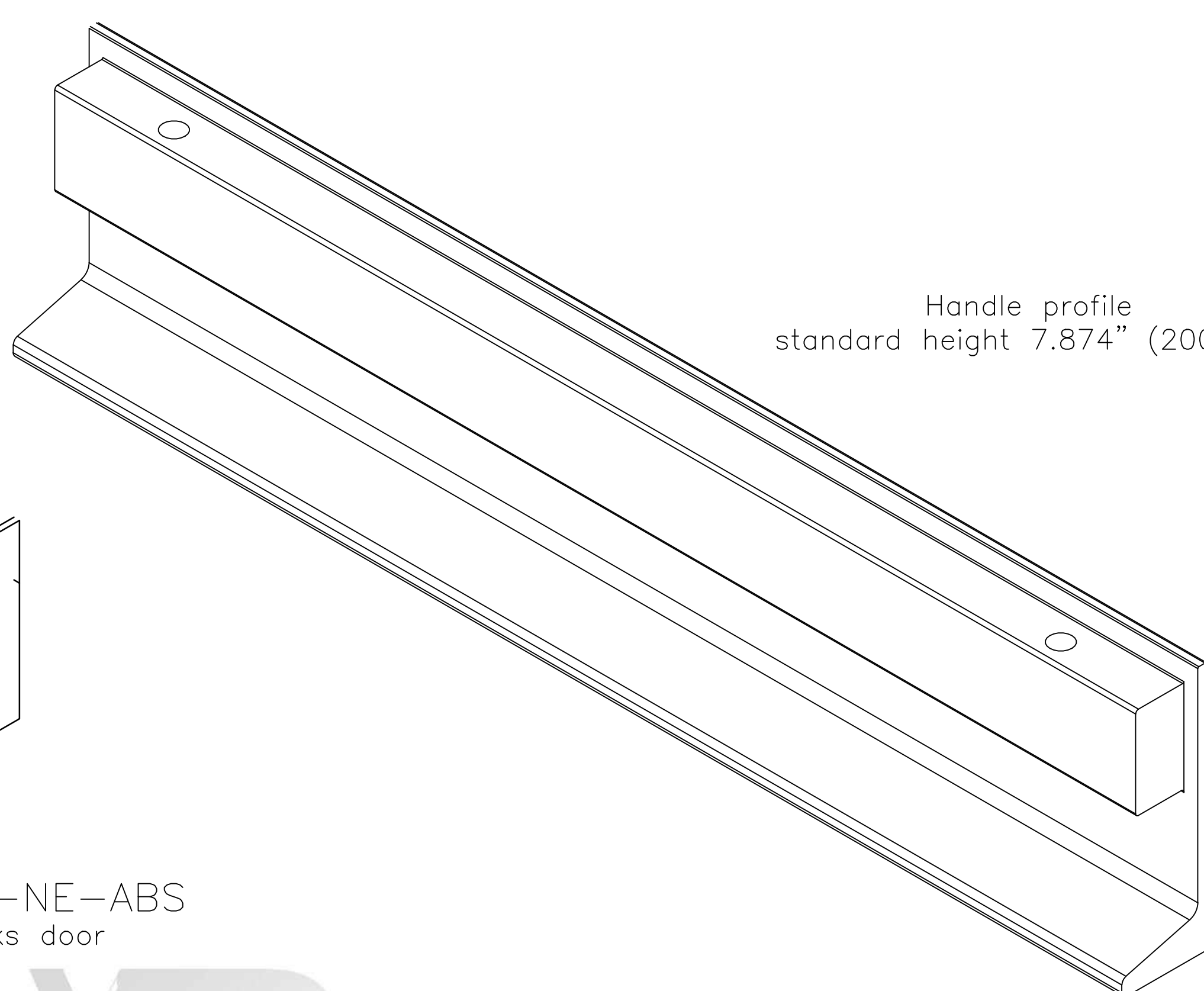
IS-PI
Piston of hinge IS-CE-33



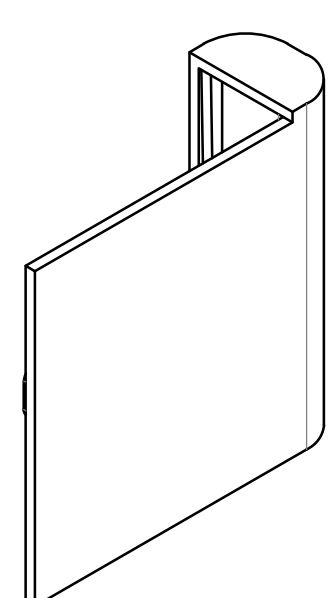
Hinge support SUPP-IS-CE-SF



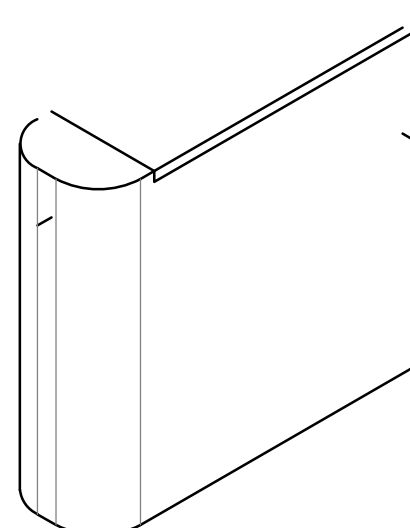
Hinge support SUPP-IS-CE-CF
with top wood fixing hole



Handle profile
standard height 7.874" (200mm)



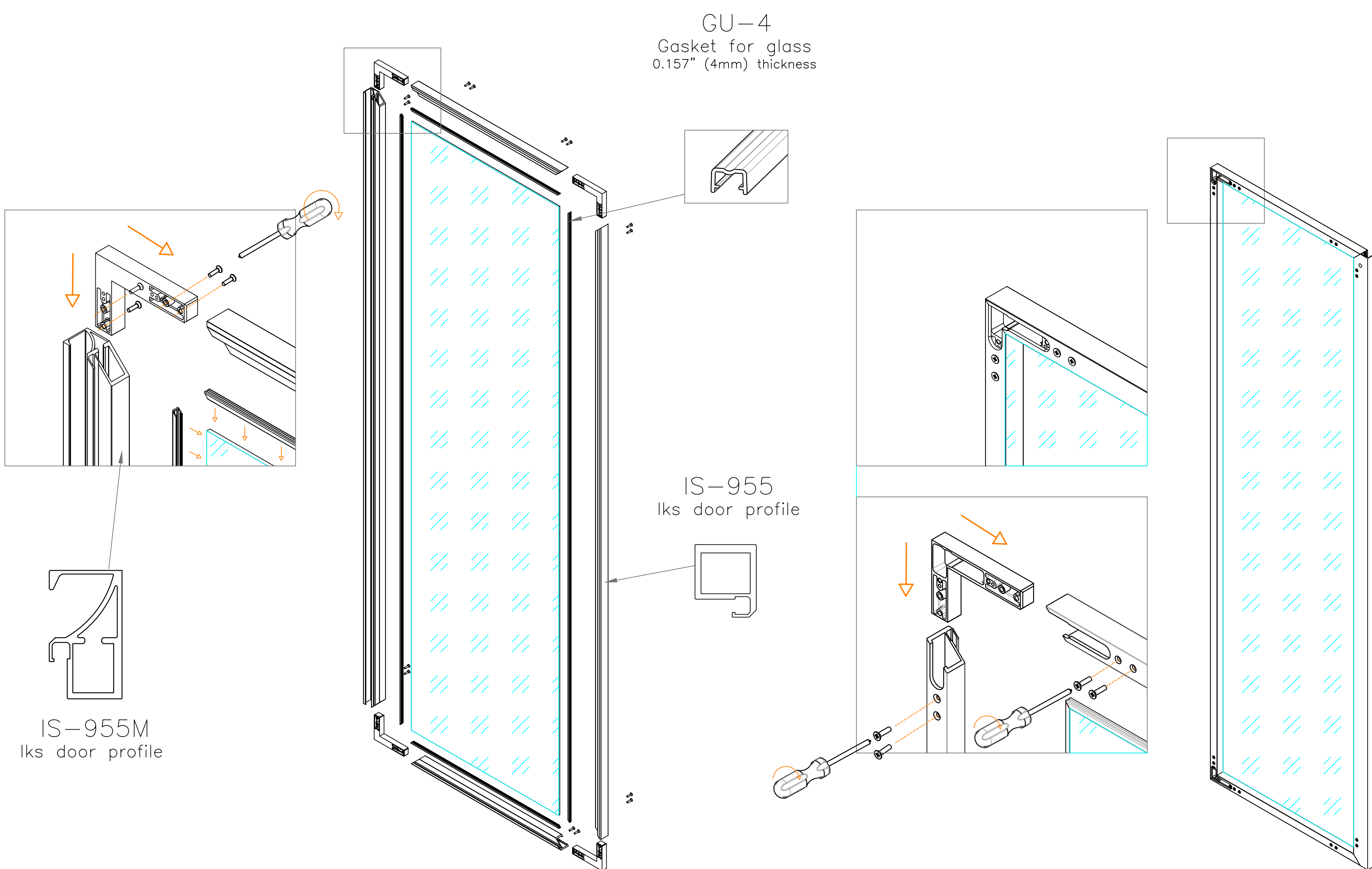
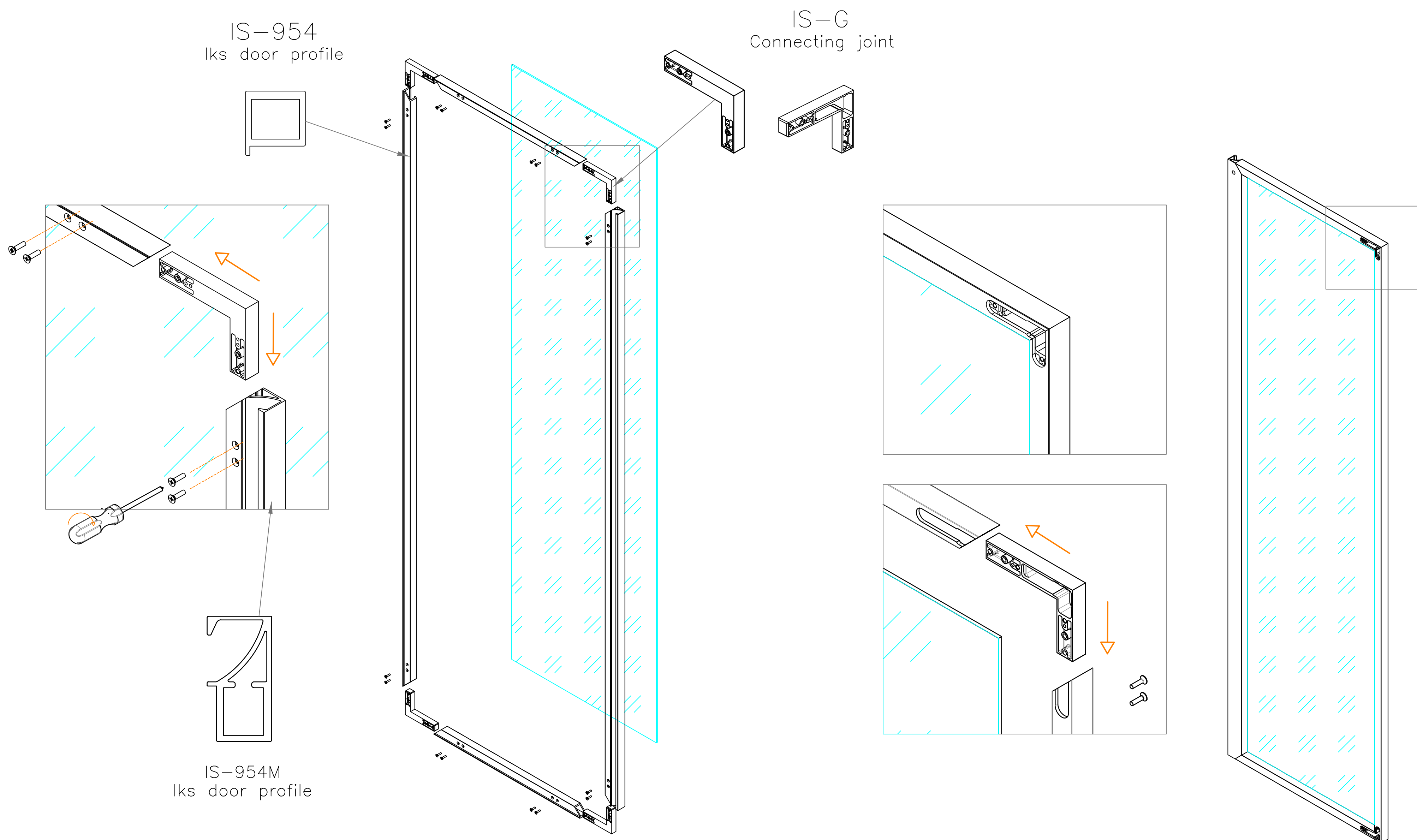
IS-COPCE180SX-NE-ABS
Hinge left cover iks door



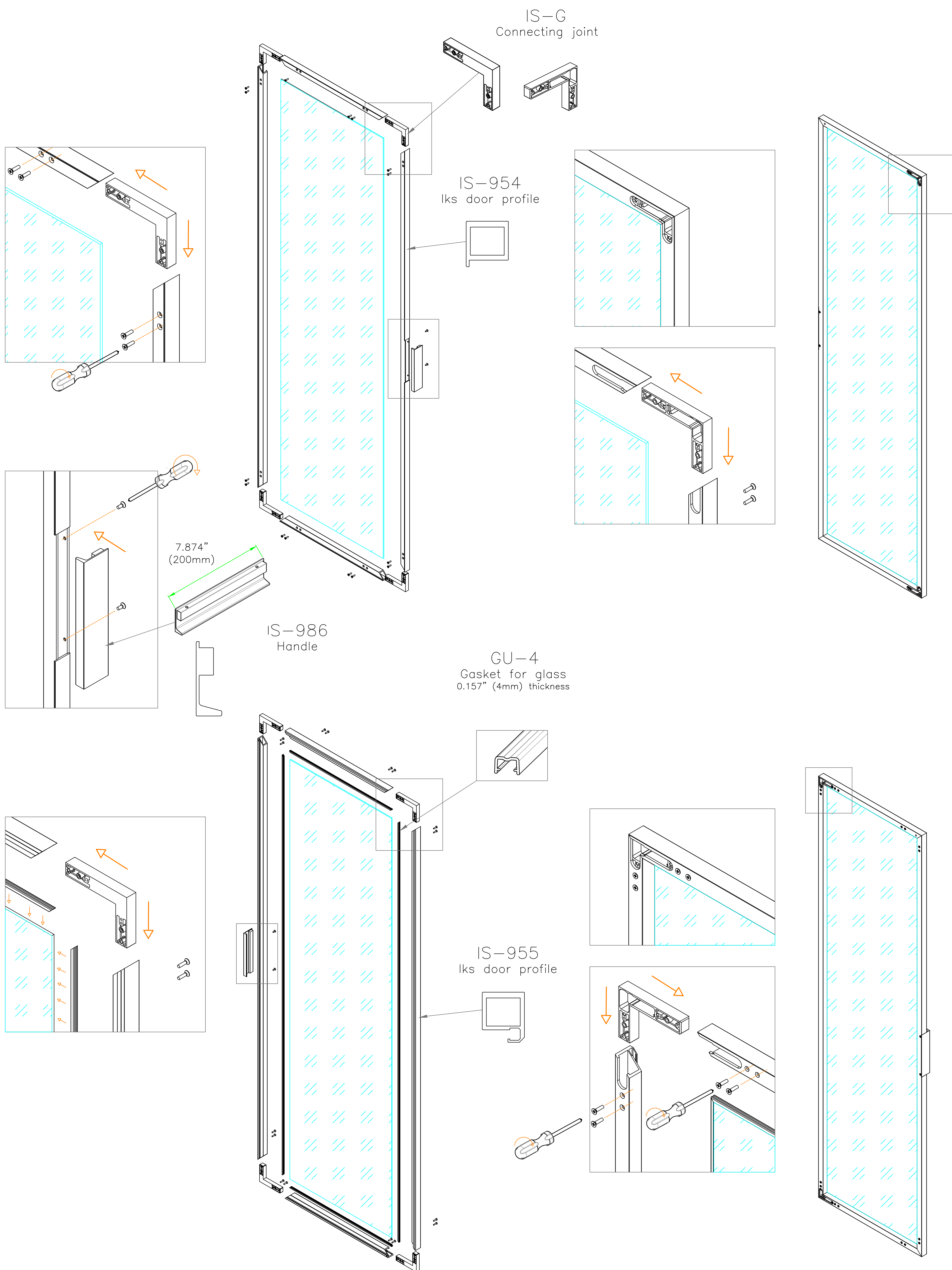
IS-COPCE180DX-NE-ABS
Hinge right cover iks door



Assembling instruction: lks door with integrated handle

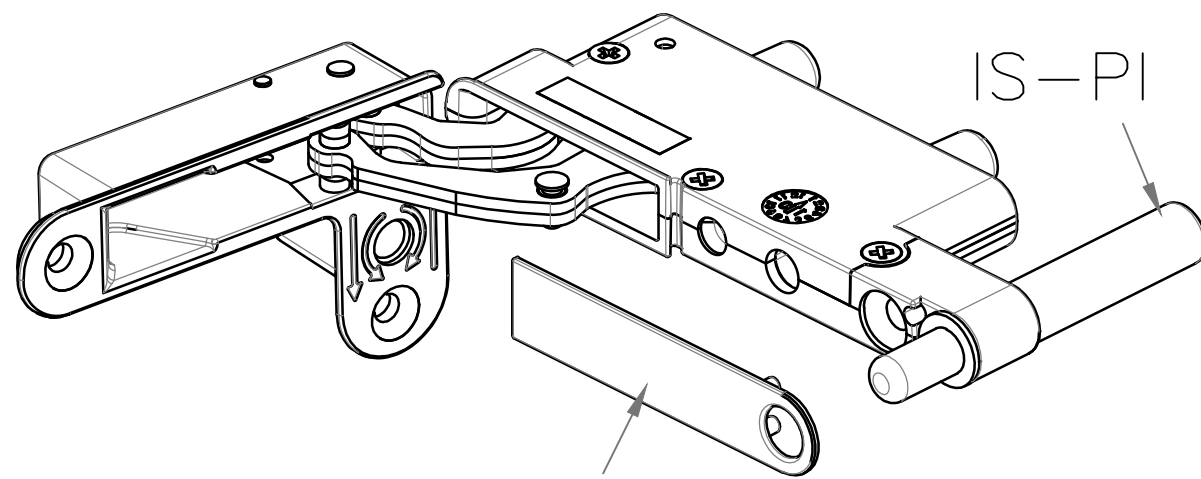
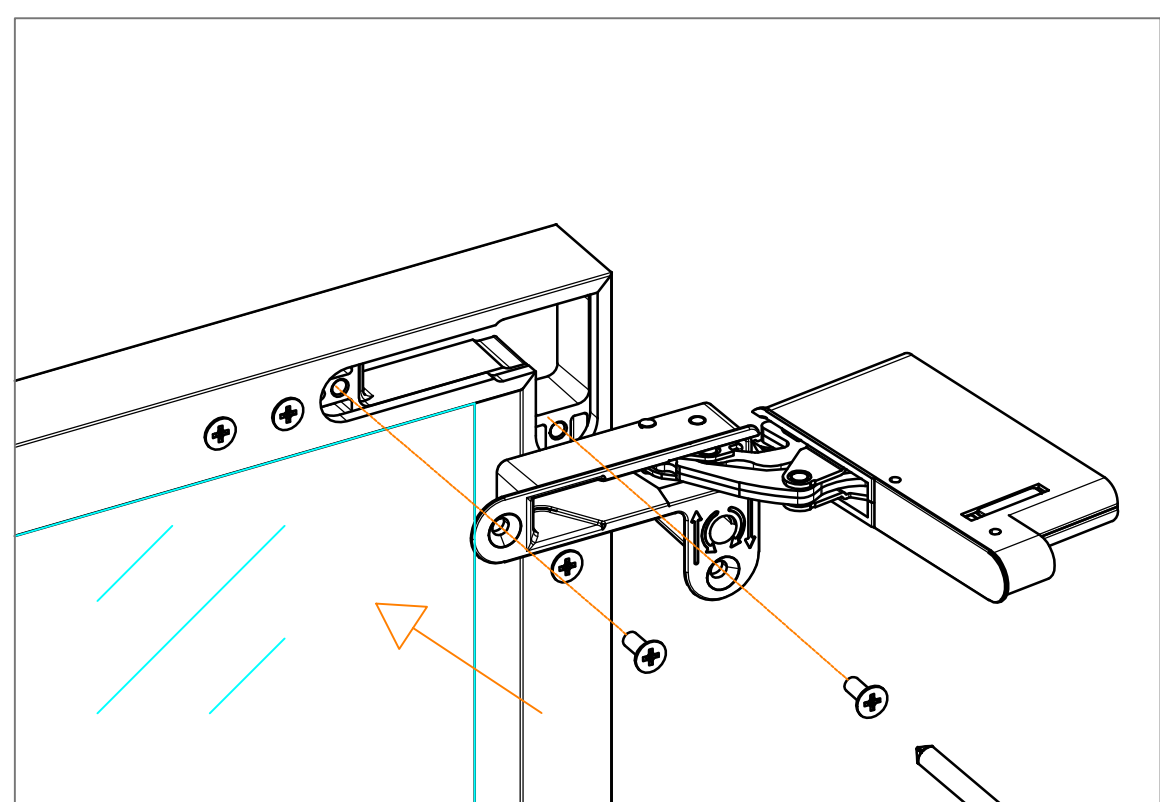


Assembling instruction: Iks door

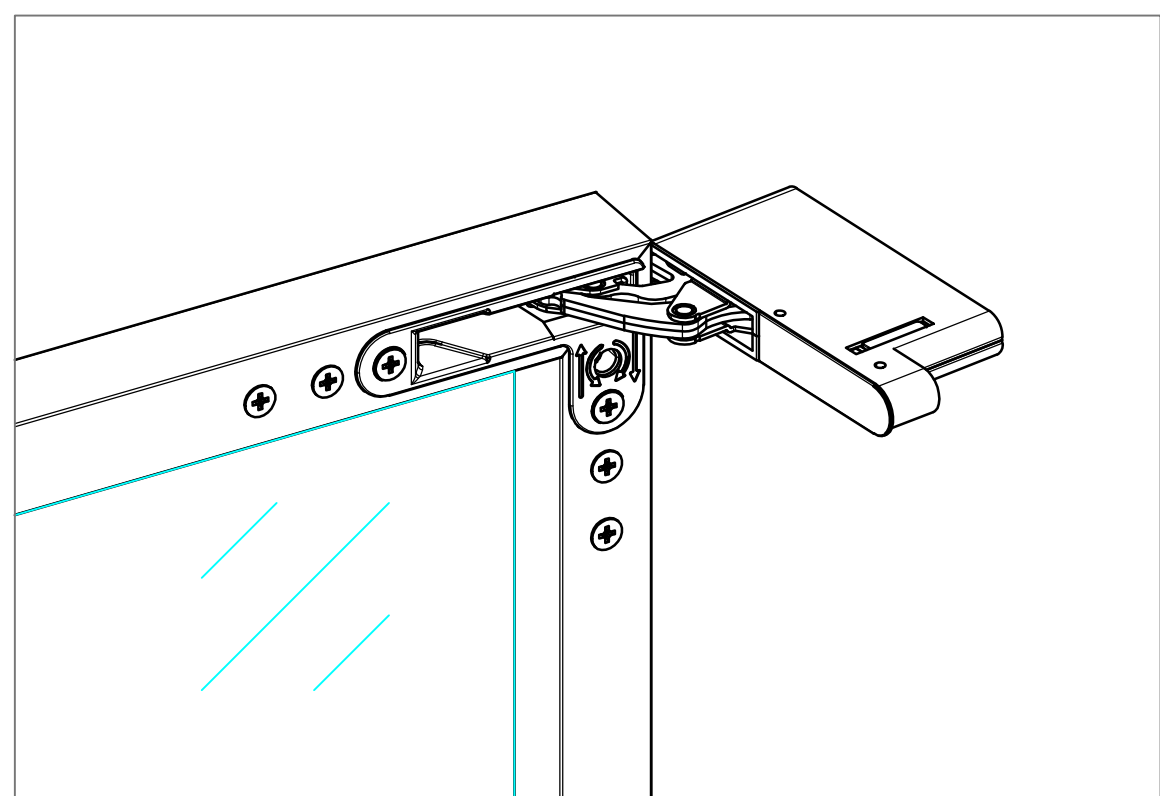
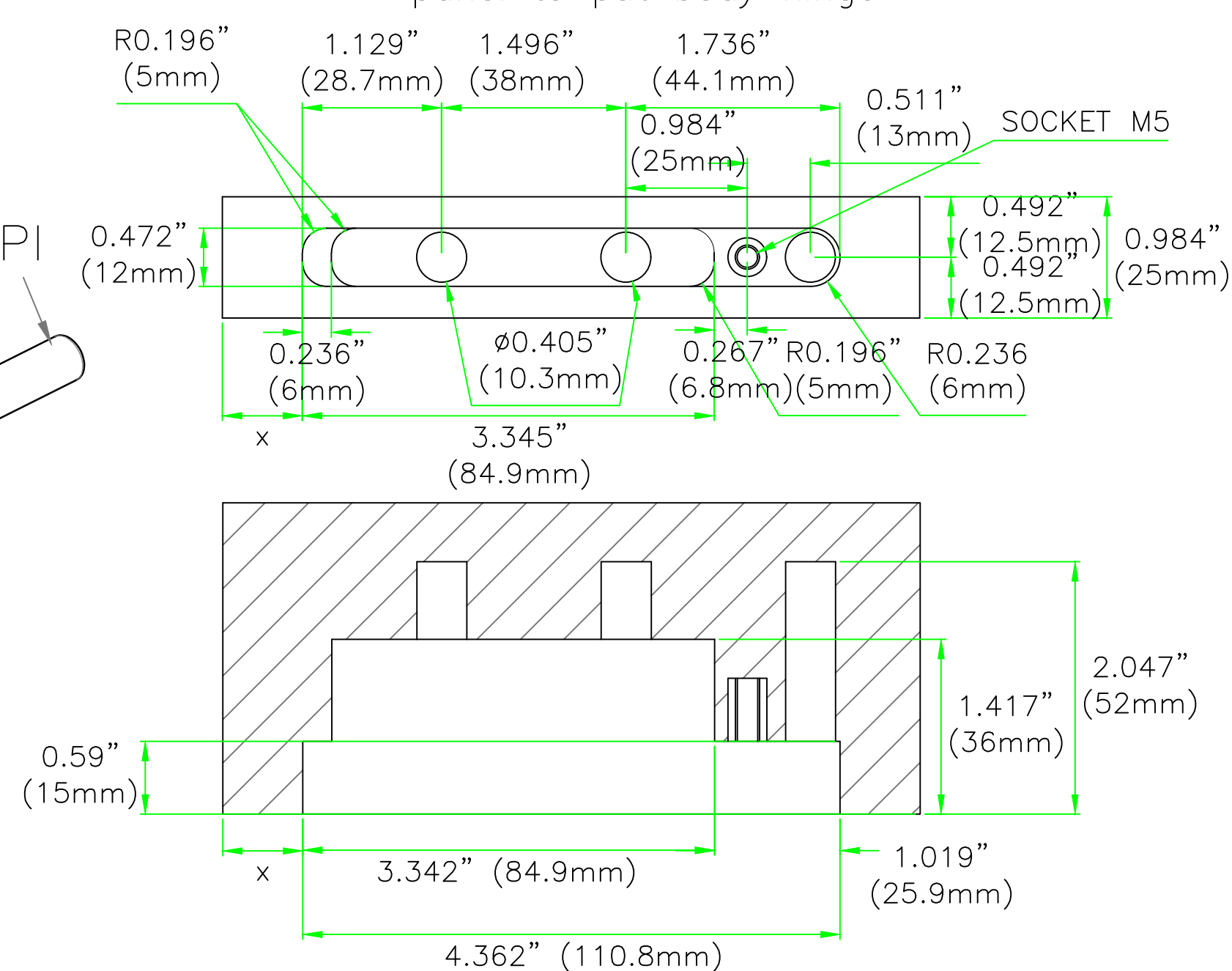


Machining detail of the top/bottom wood panel to put body hinge

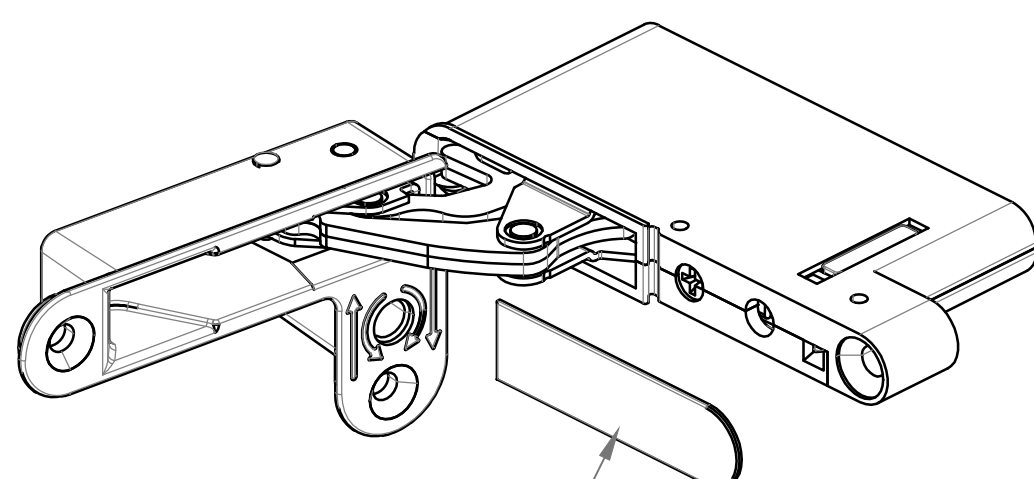
IKS Hinge IS-CE33



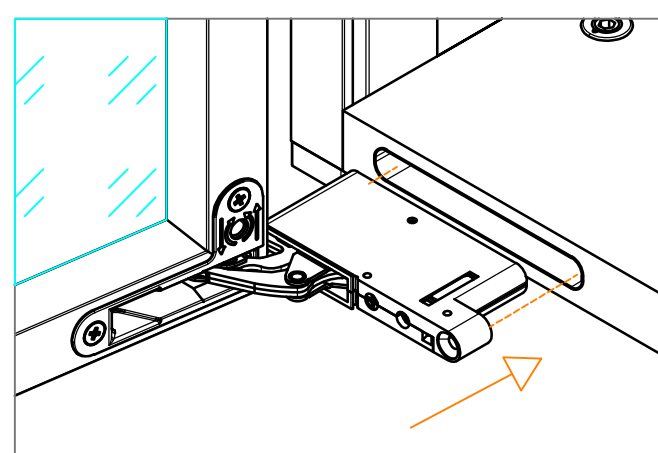
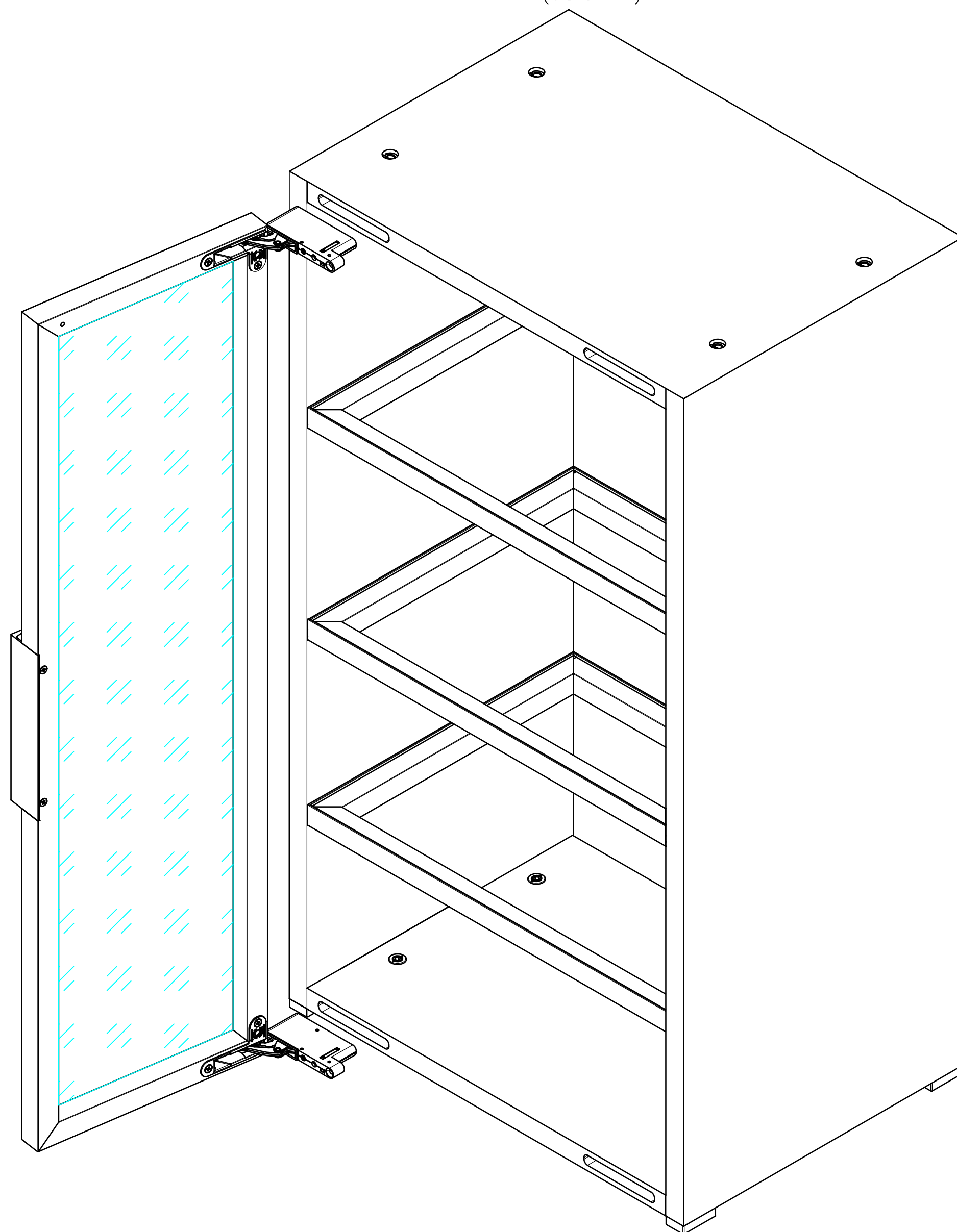
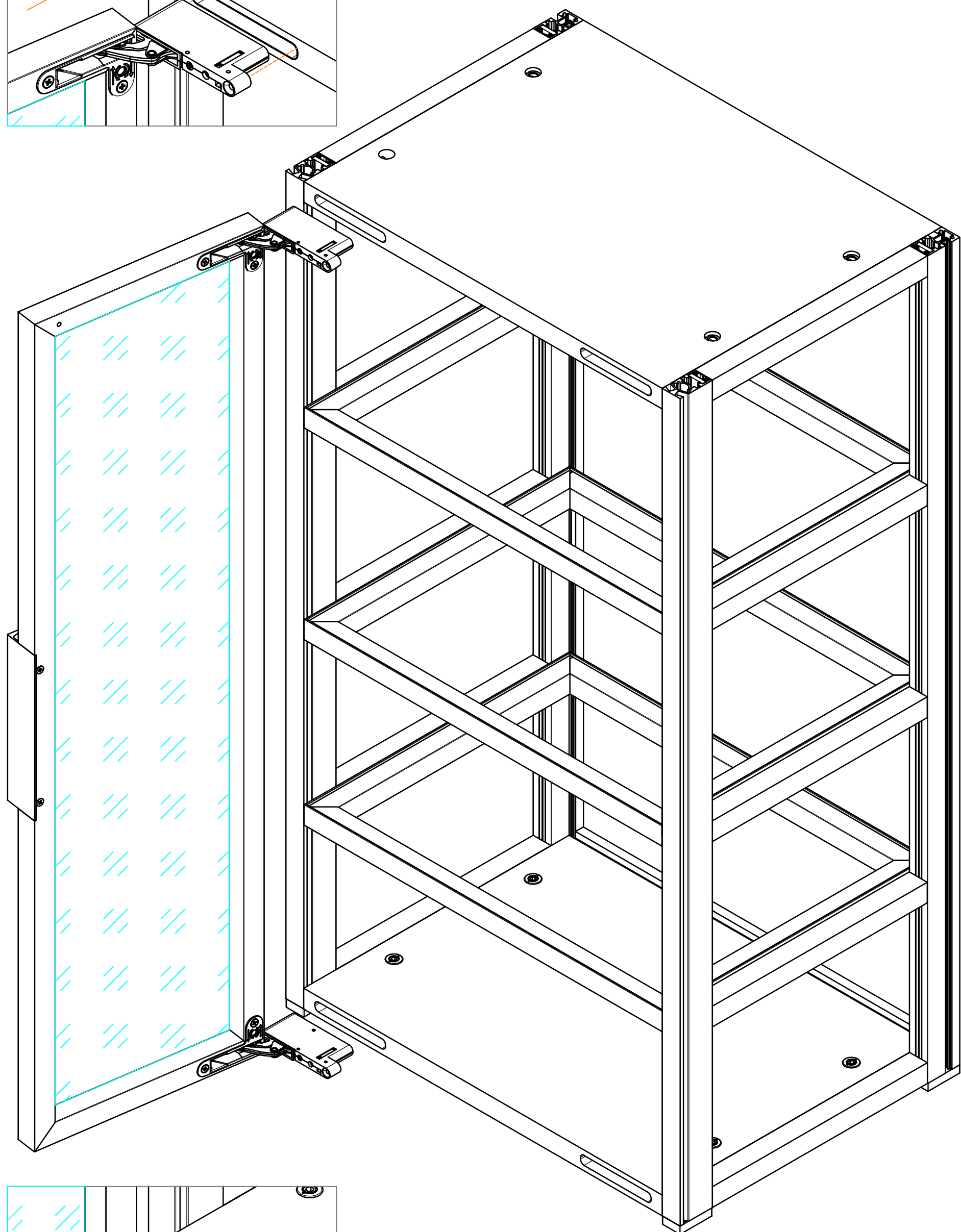
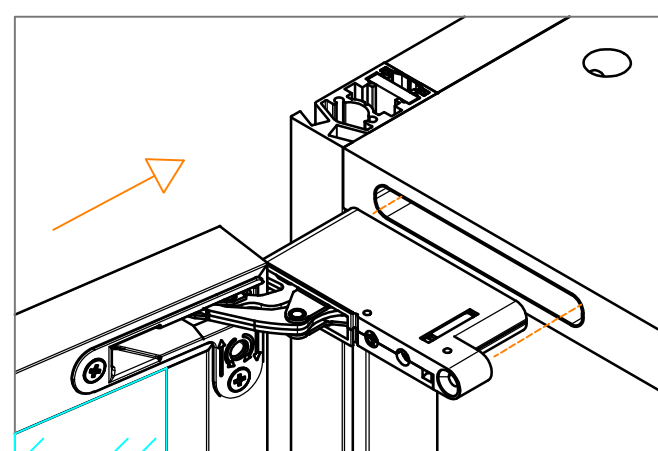
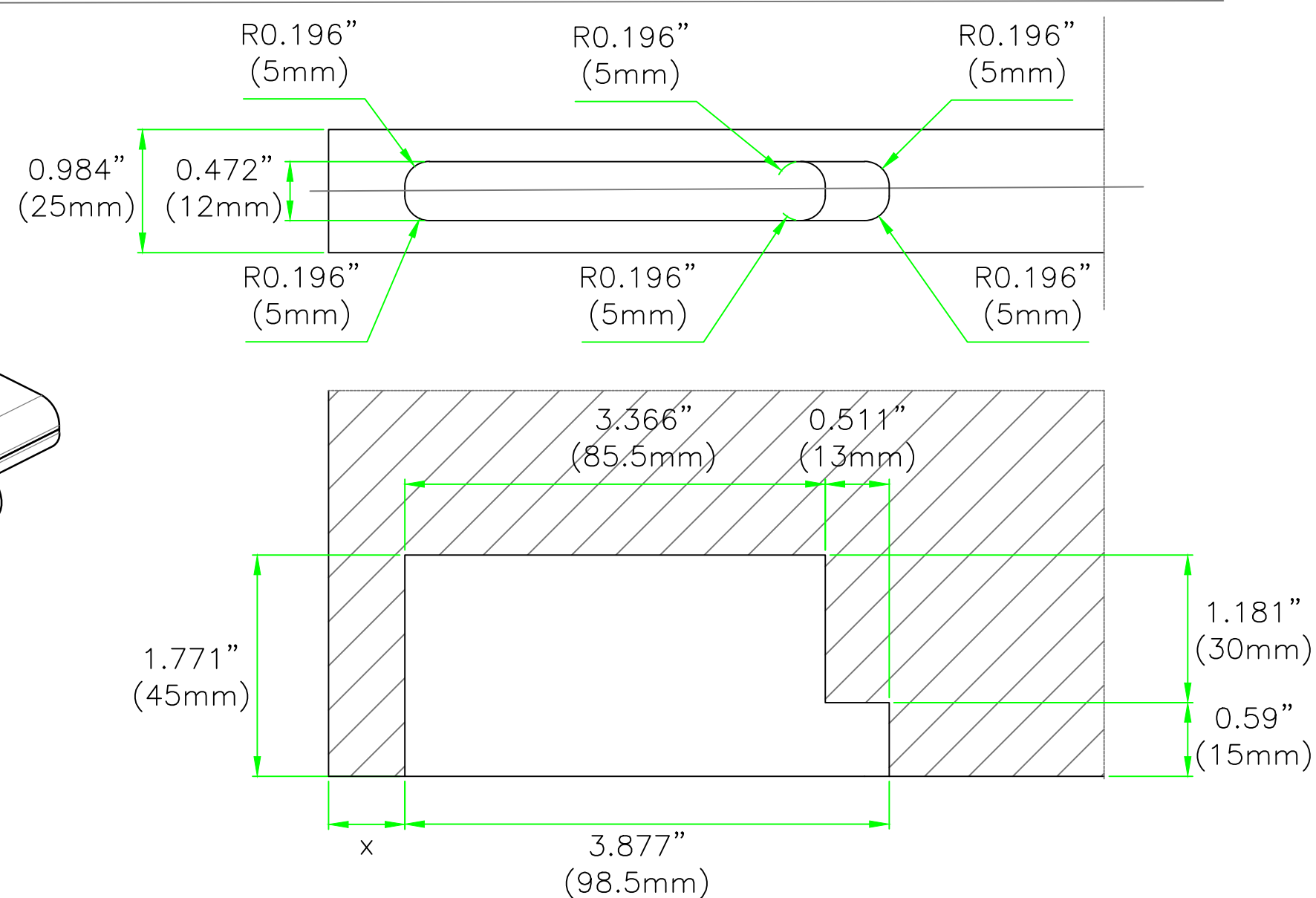
IS-MO Hinge cover

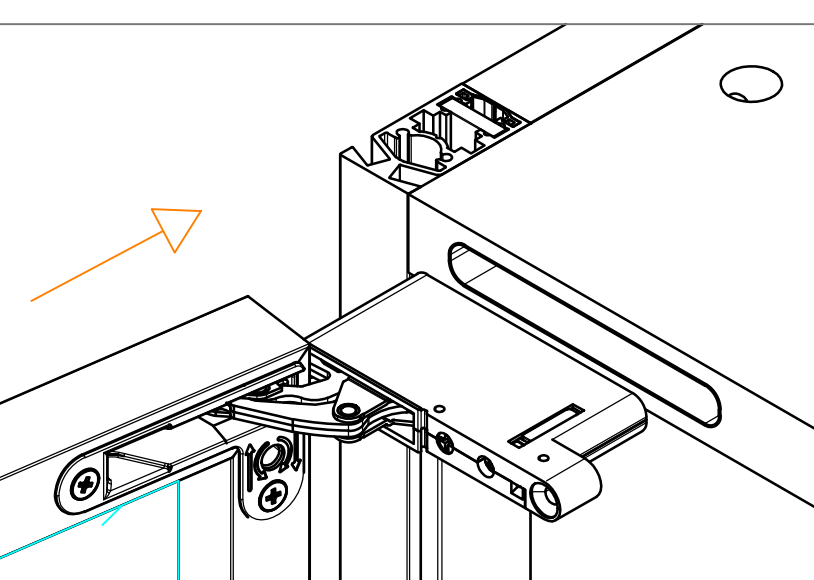
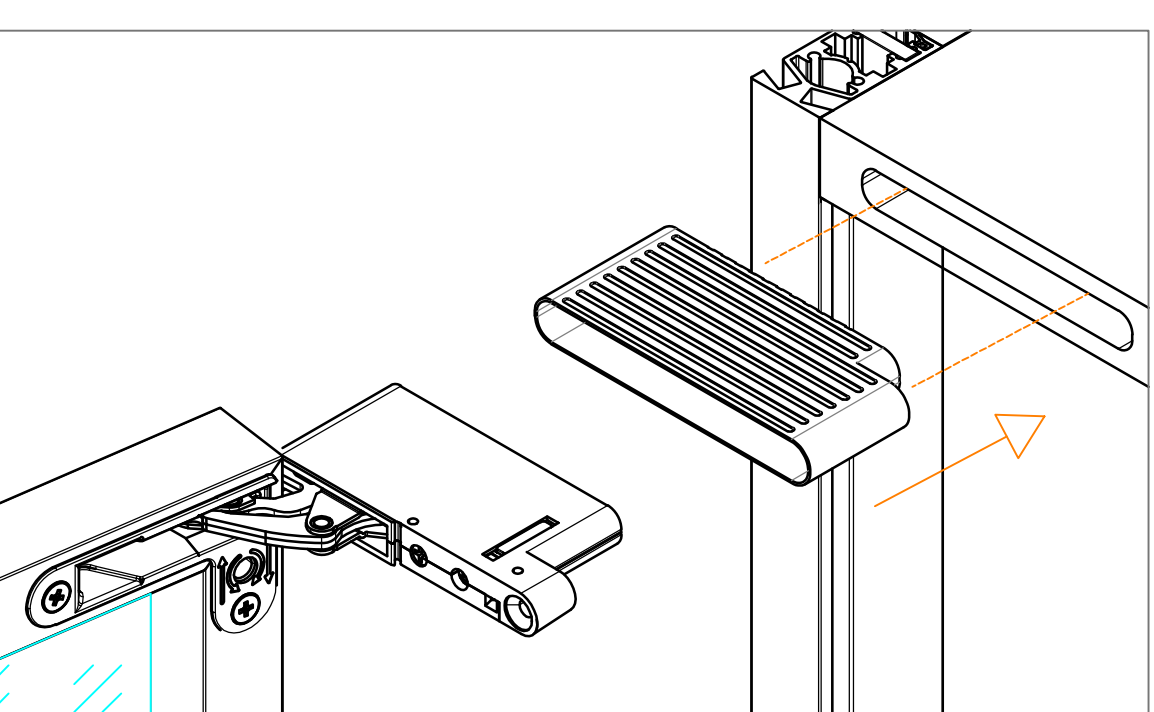
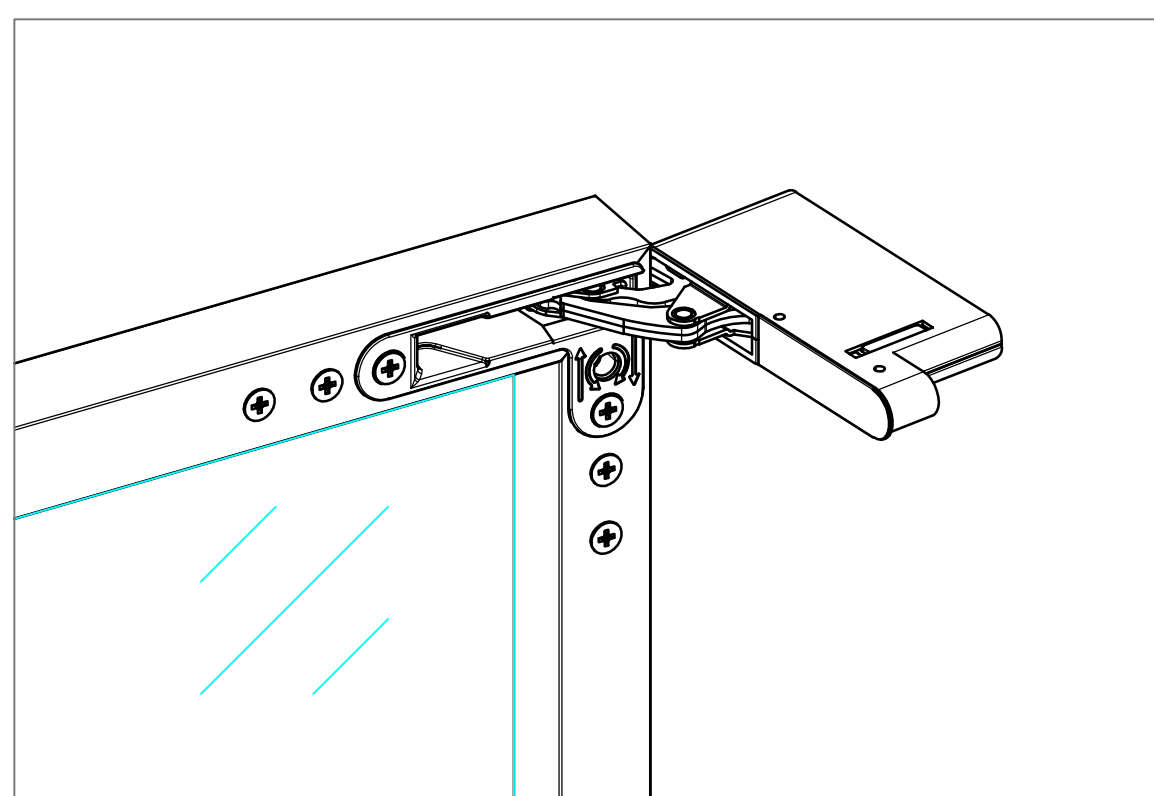
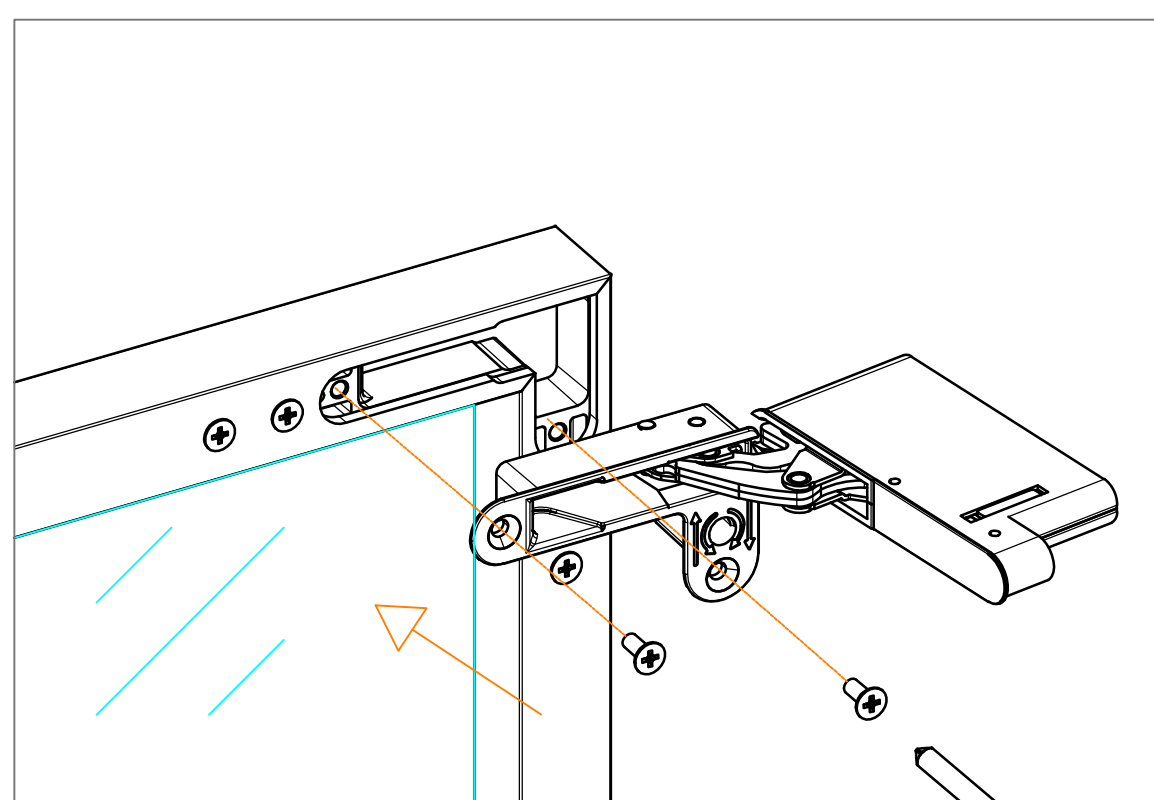


IKS Hinge IS-CE33-PI with integrated piston

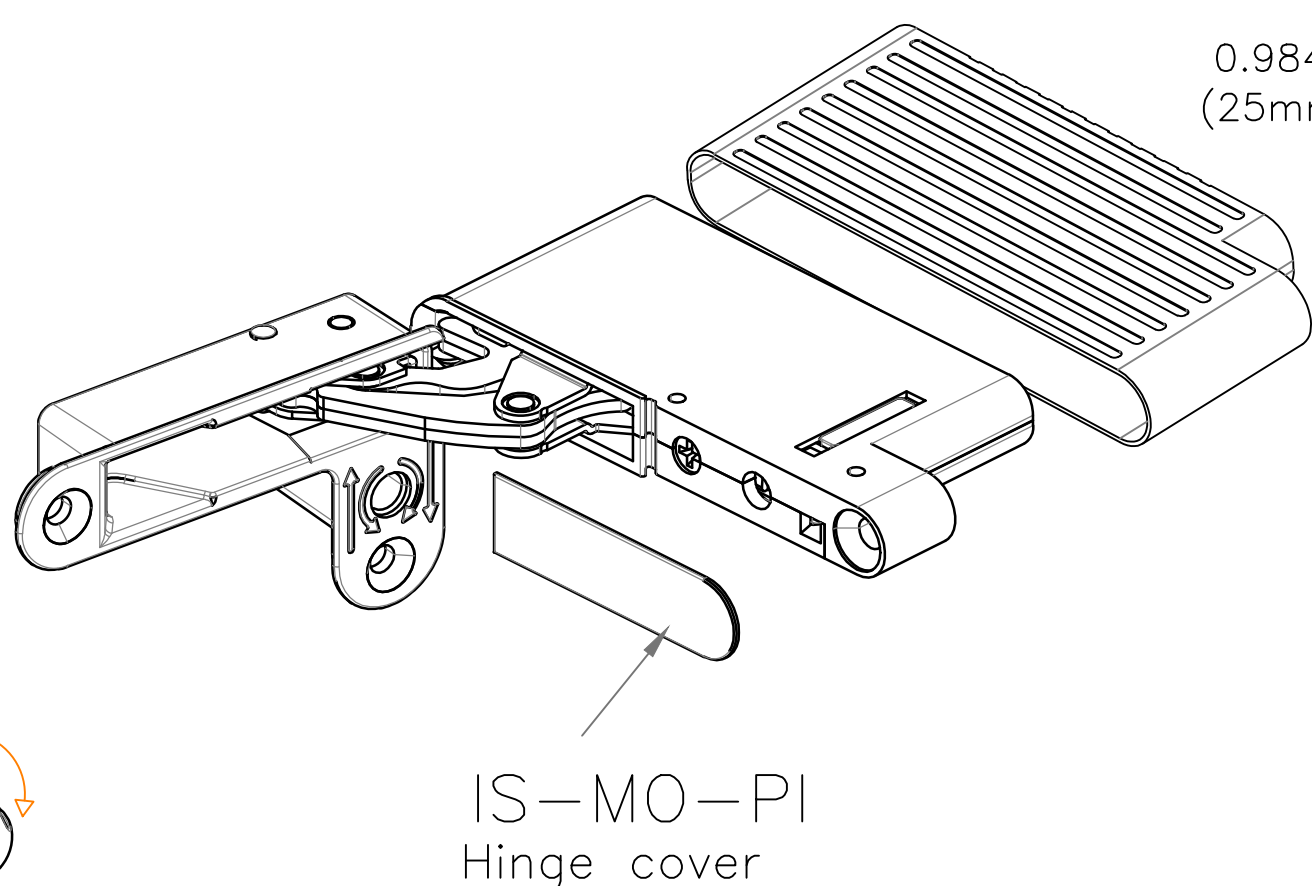


IS-MO-PI Hinge cover



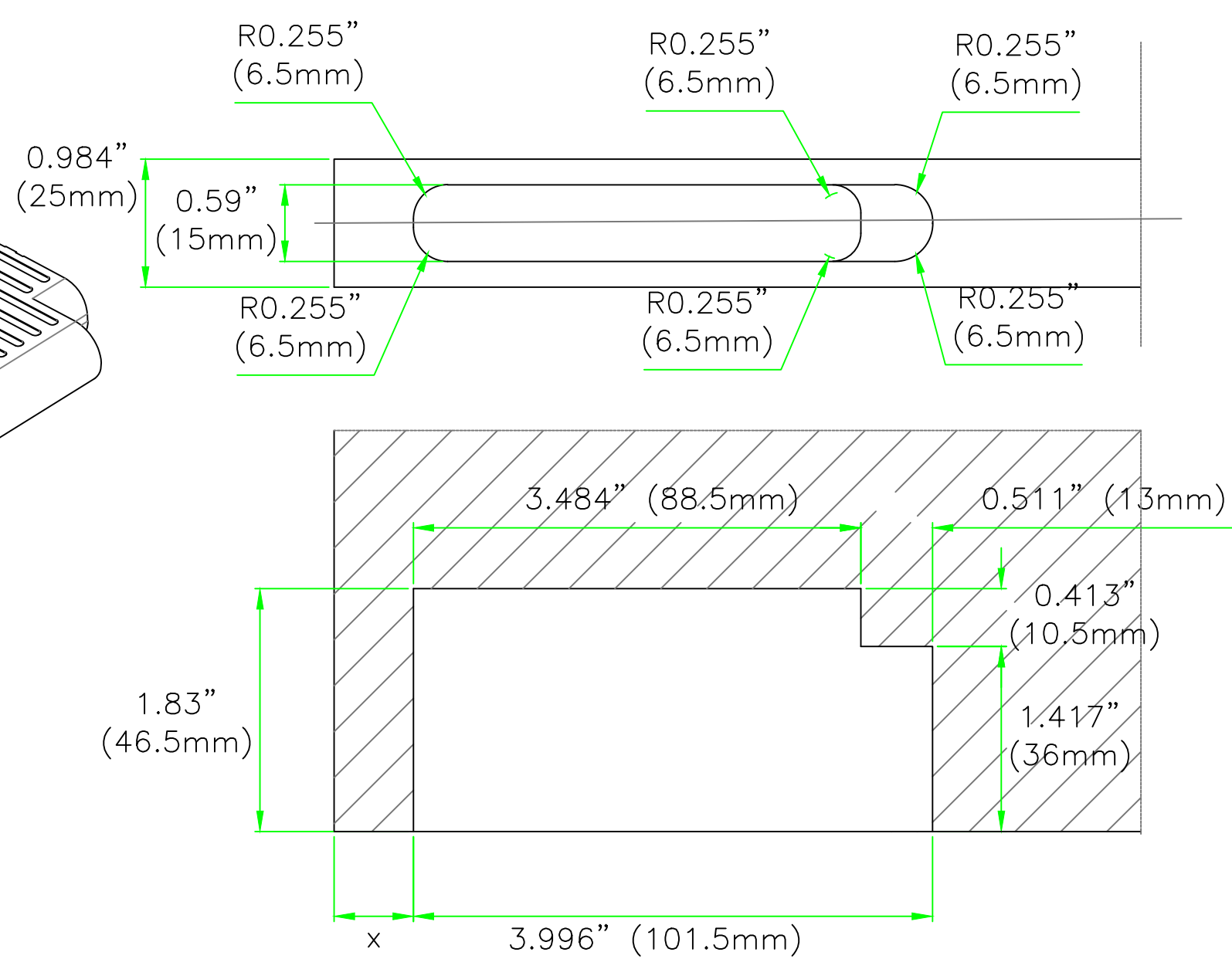


IKS Hinge IS-CE33-PI with integrated piston

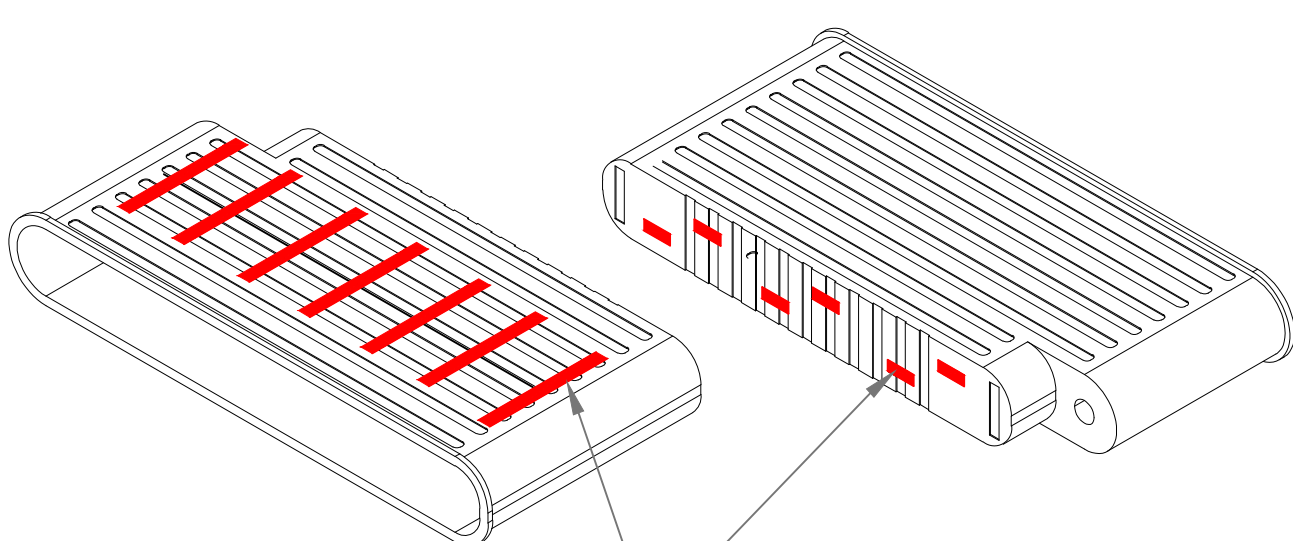


IS-MO-PI Hinge cover

Machining detail of the top/bottom wood panel to put body hinge with support

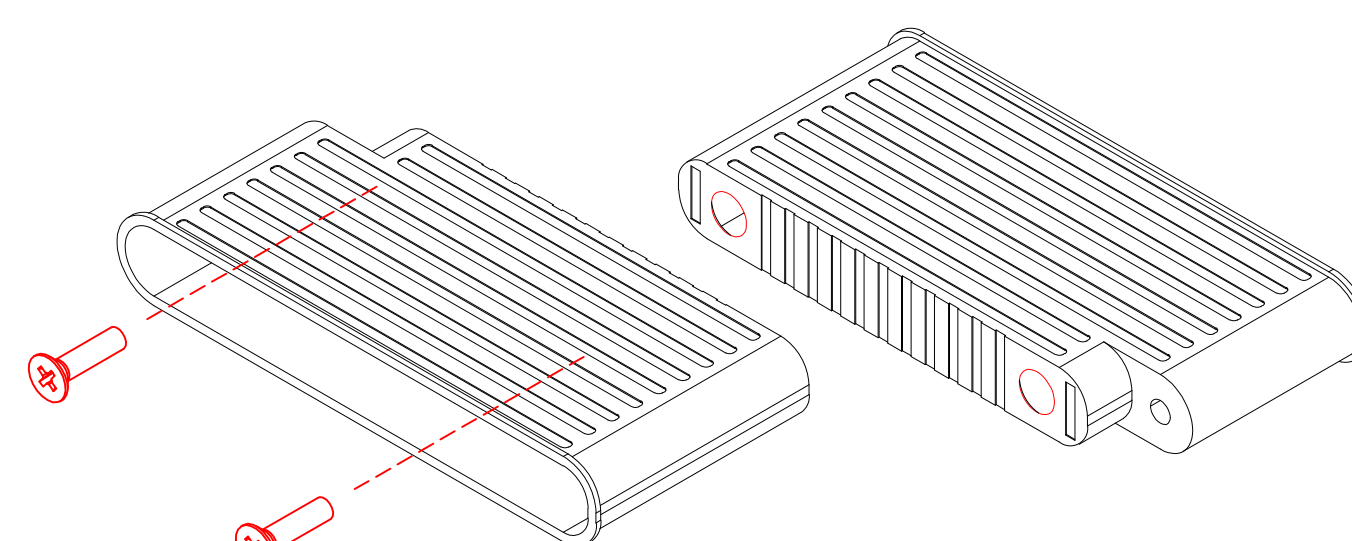


Hinge support IS-CE33-PI

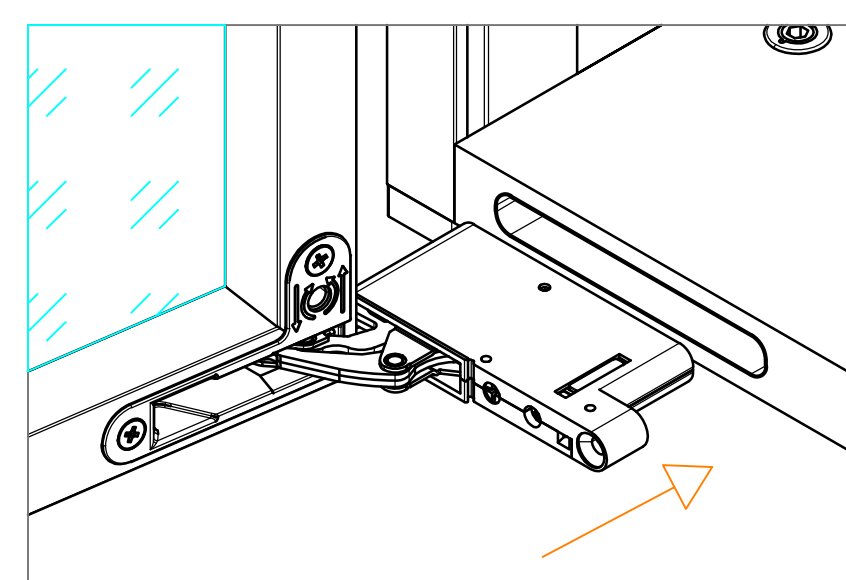
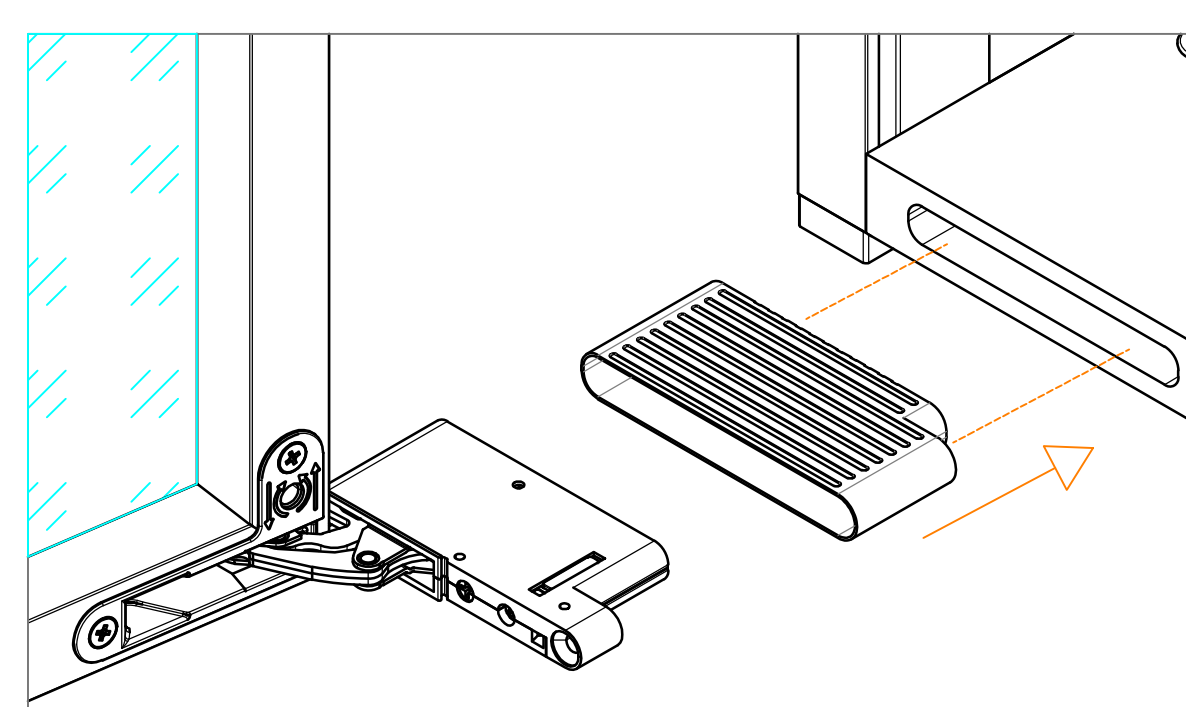
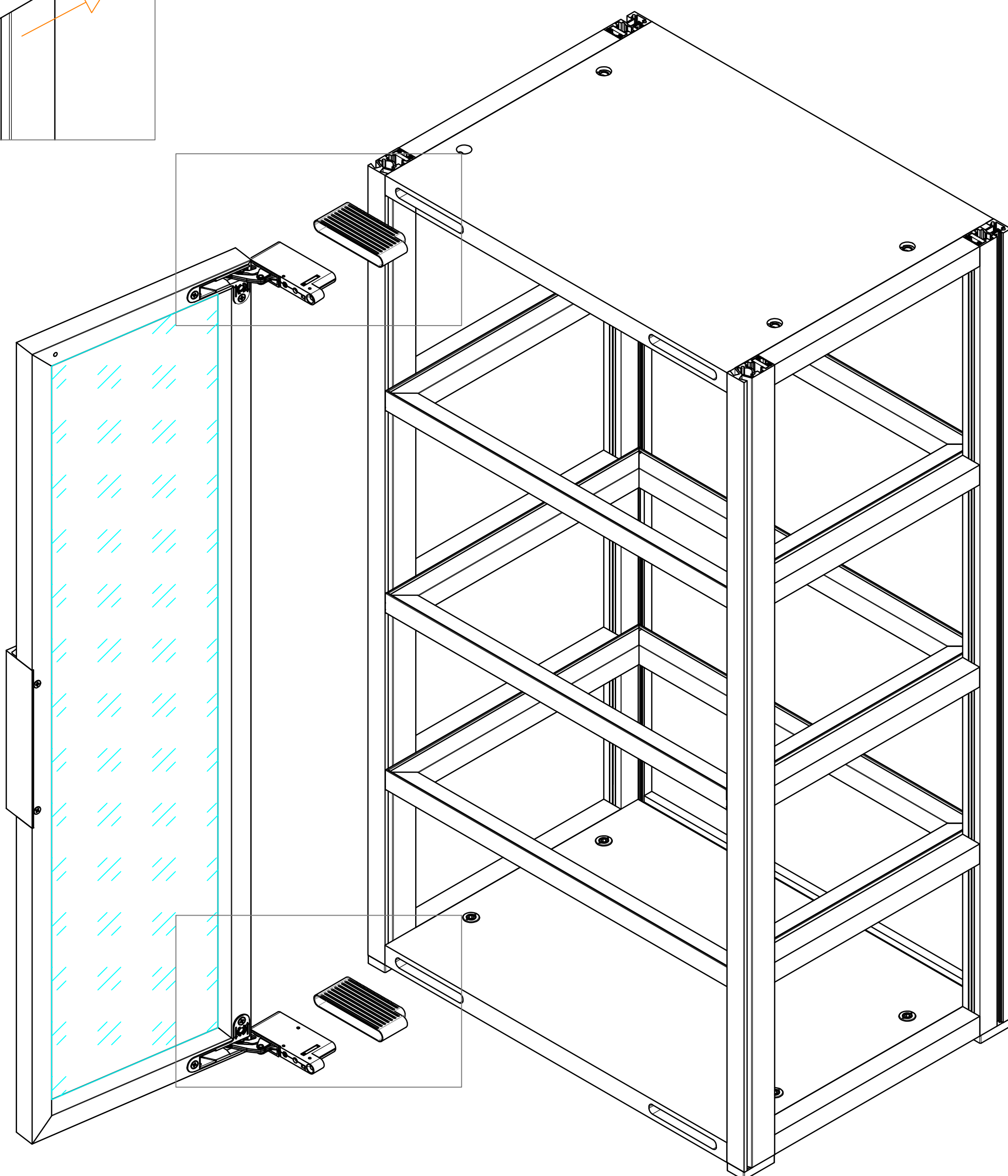


Fixing by Glue

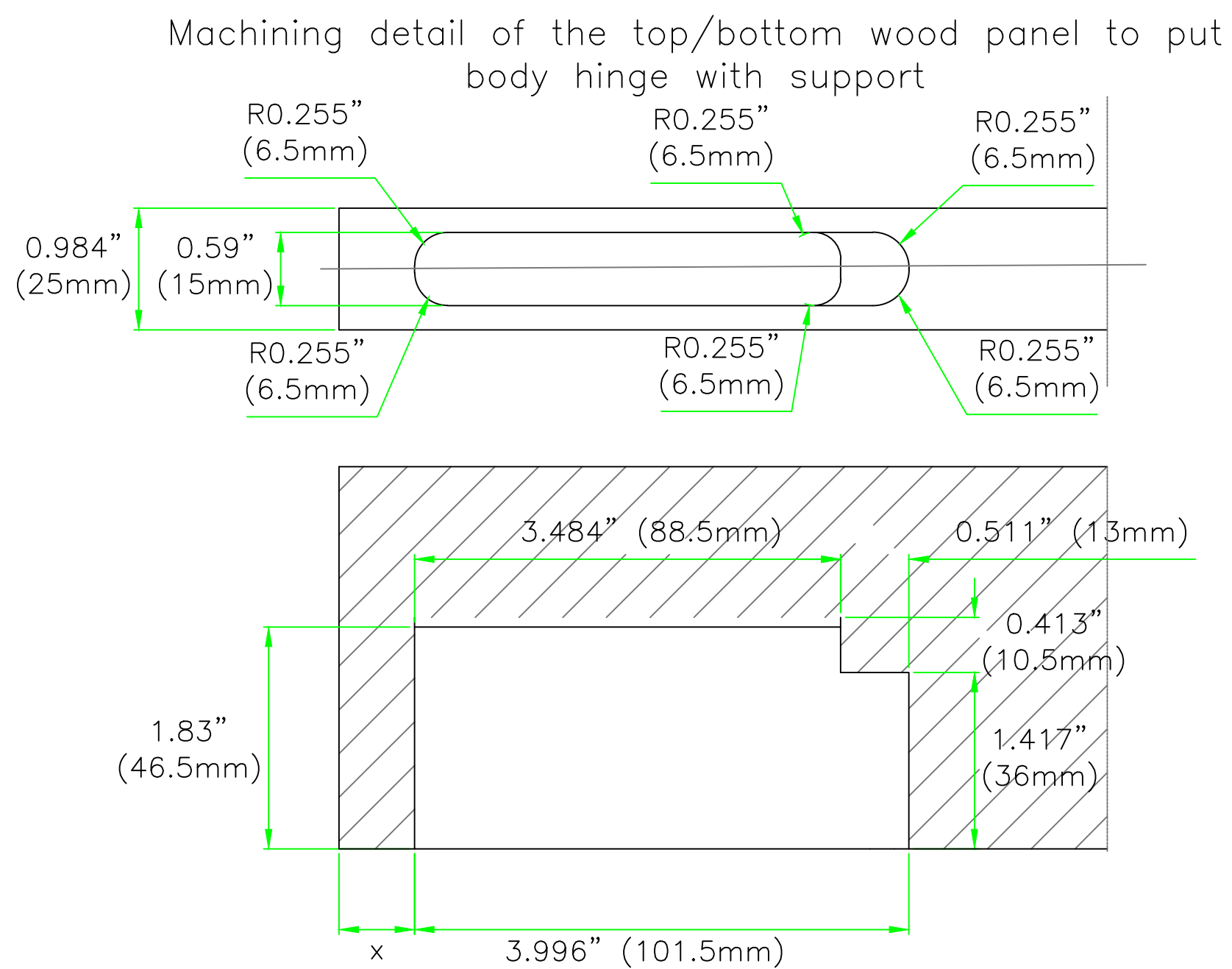
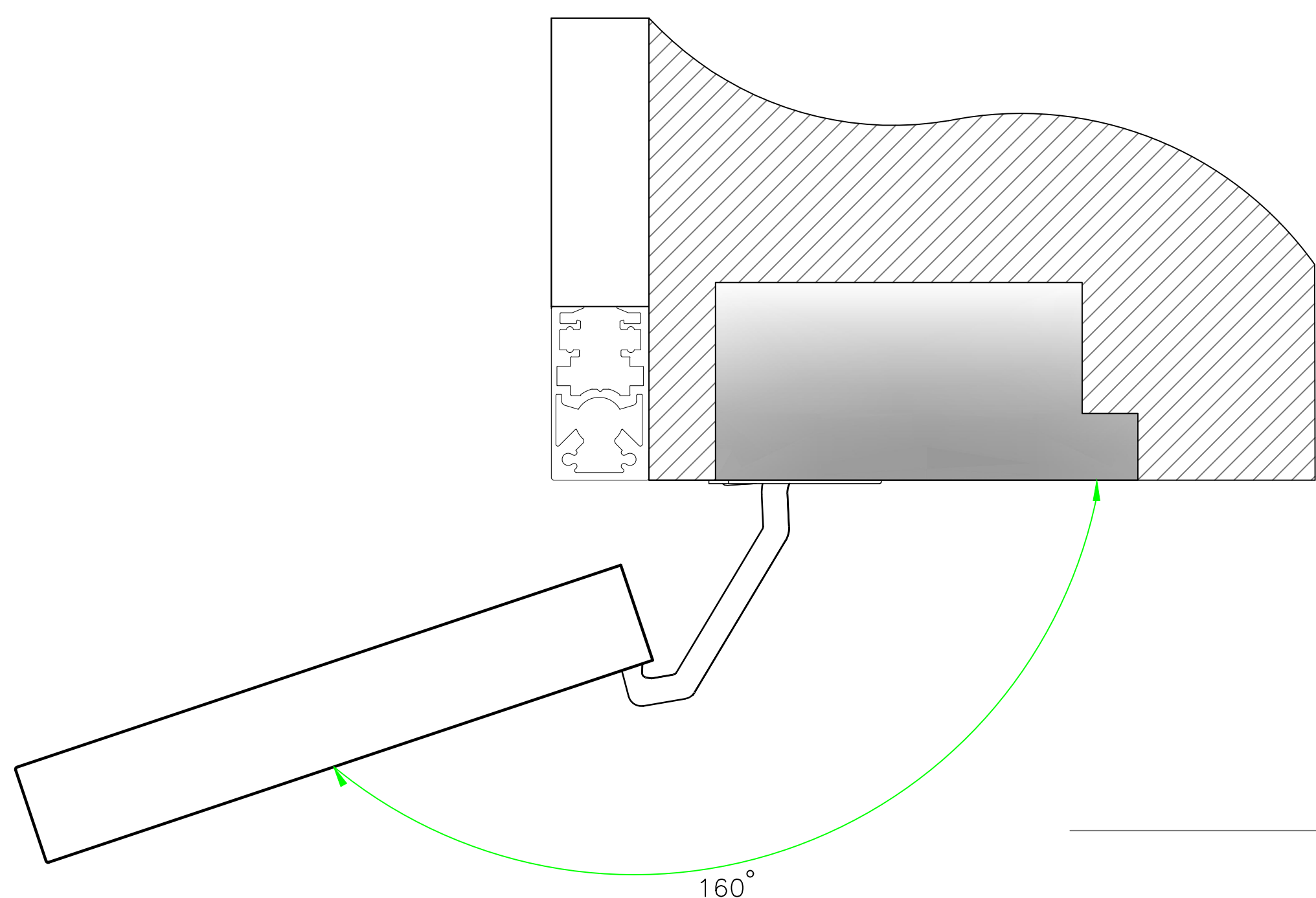
Hinge support IS-CE33-PI with top wood fixing hole



Fixing by screw

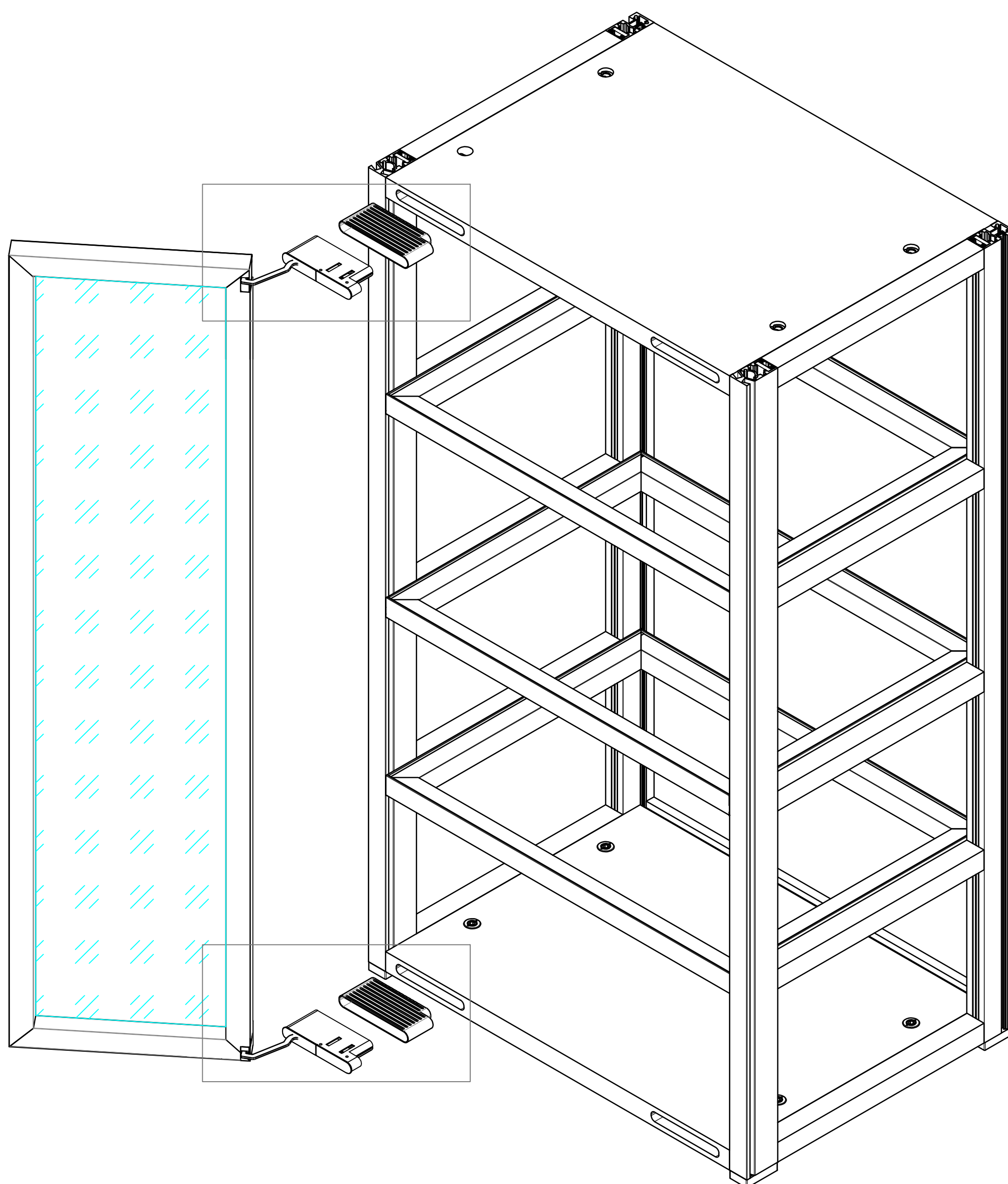
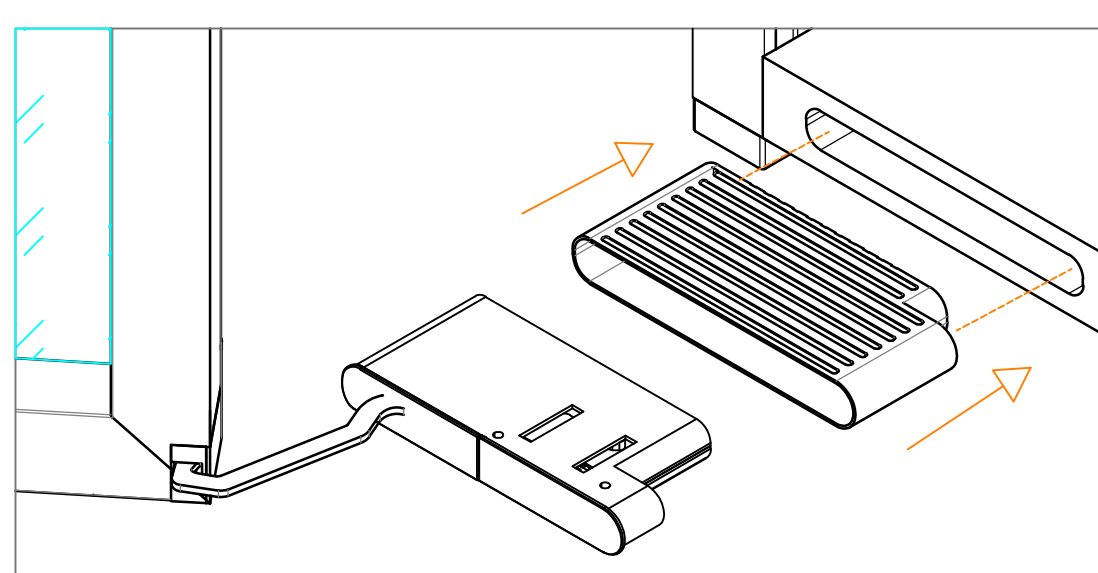
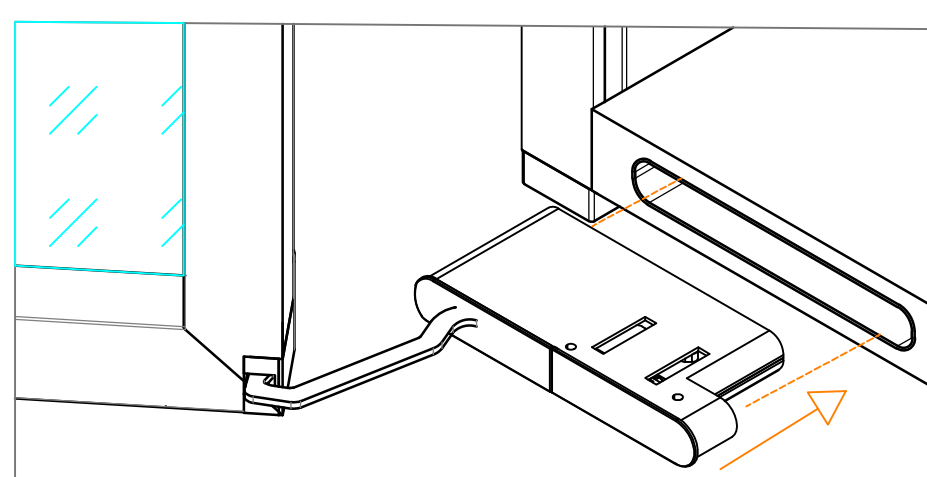
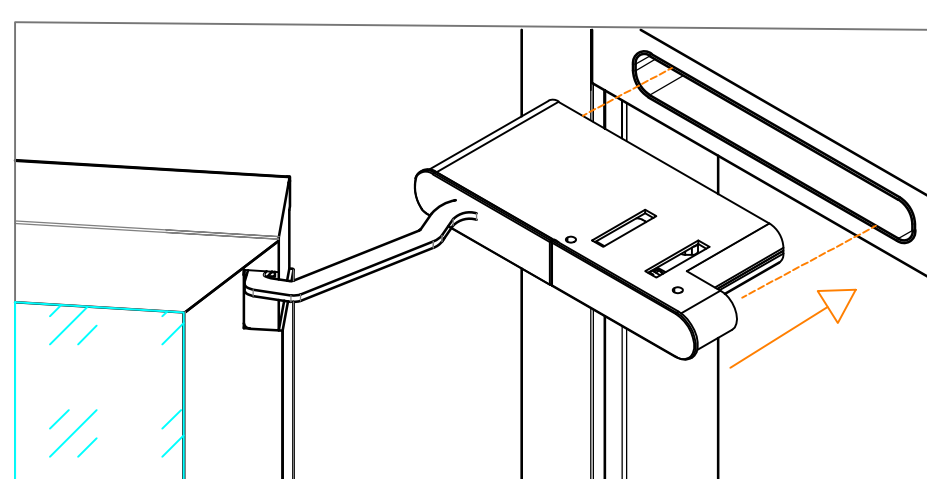
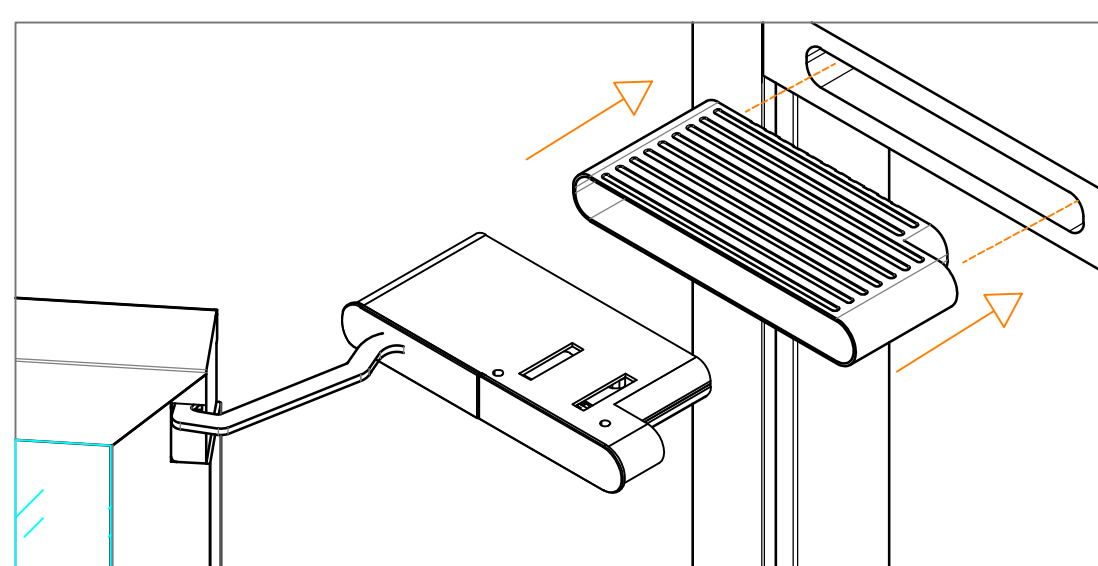
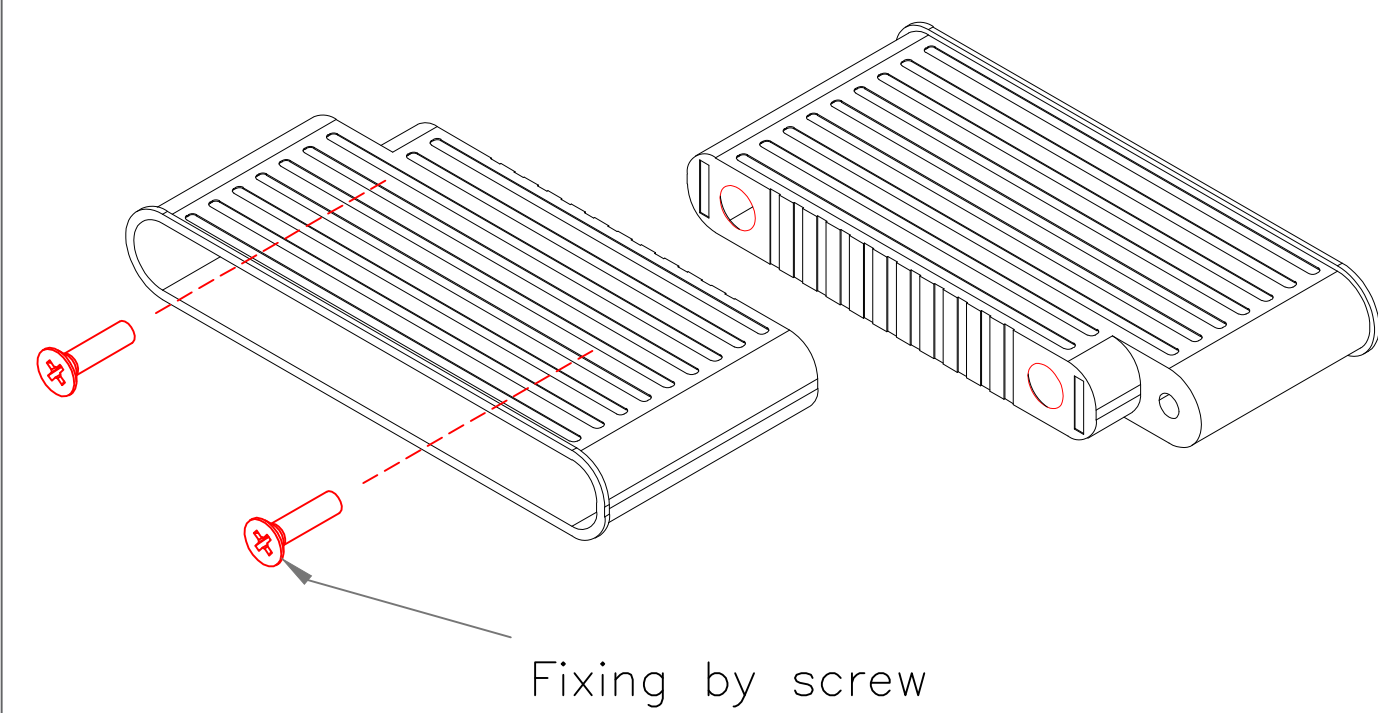
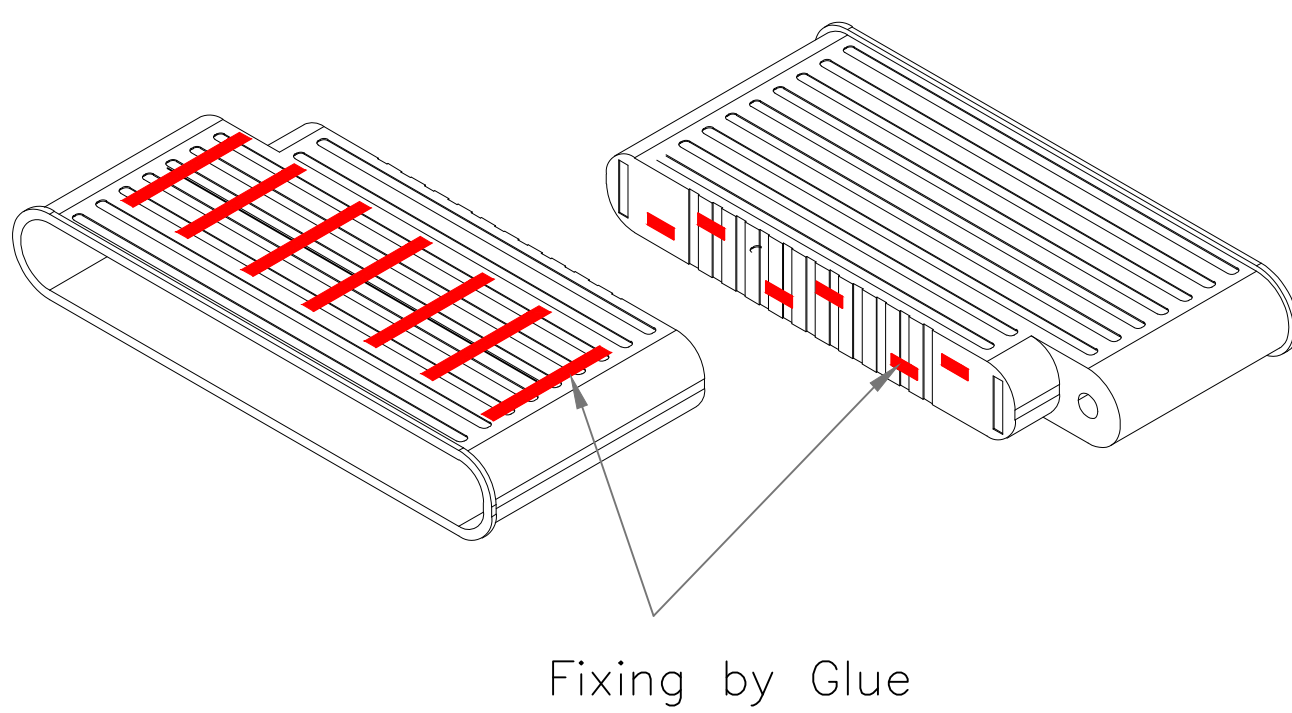
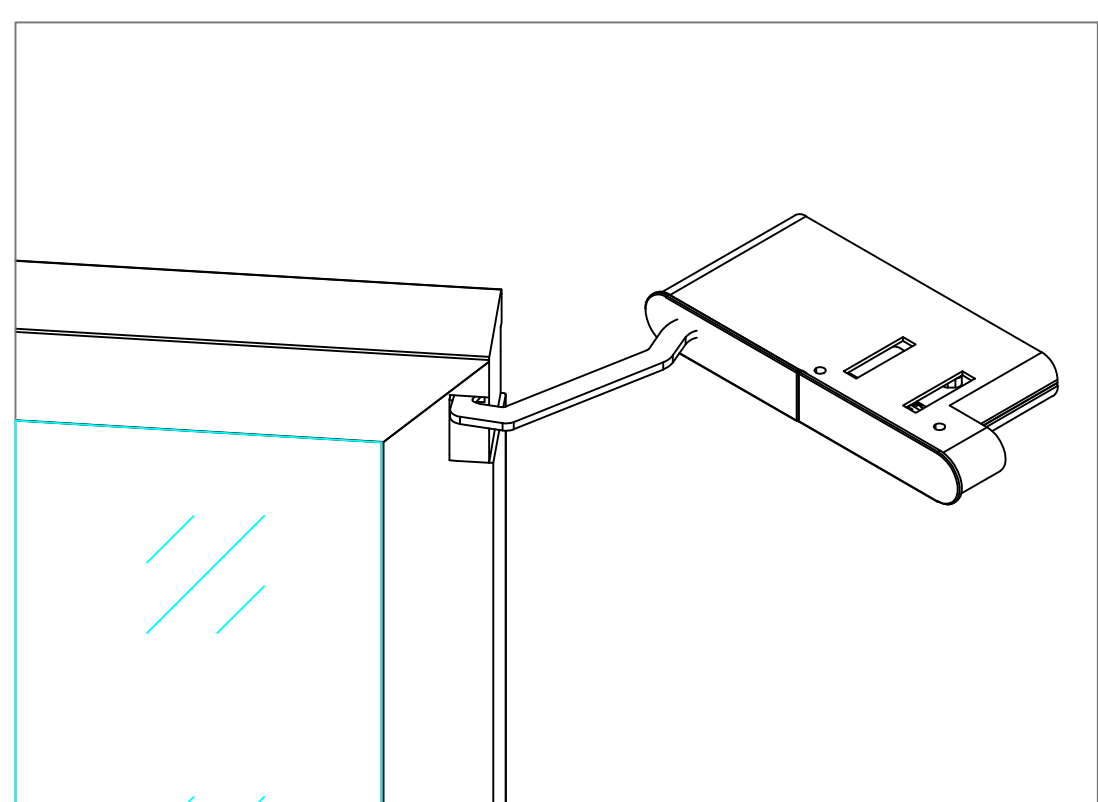


Iks hinge 180°

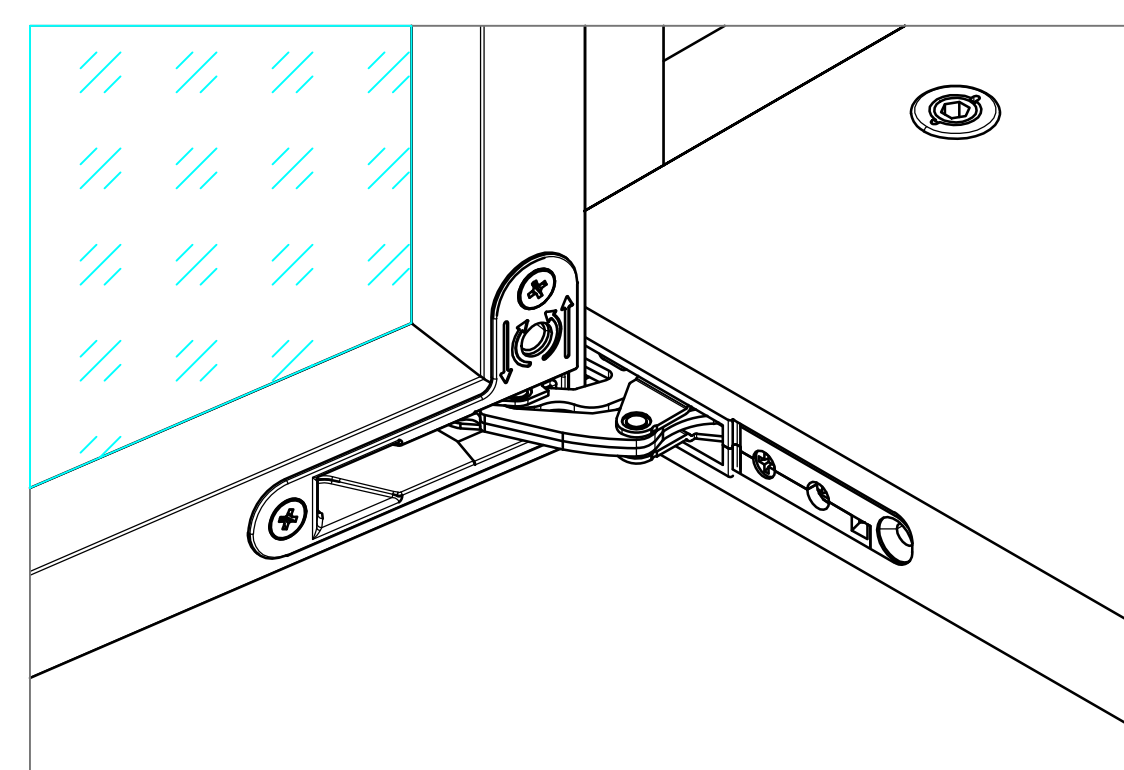
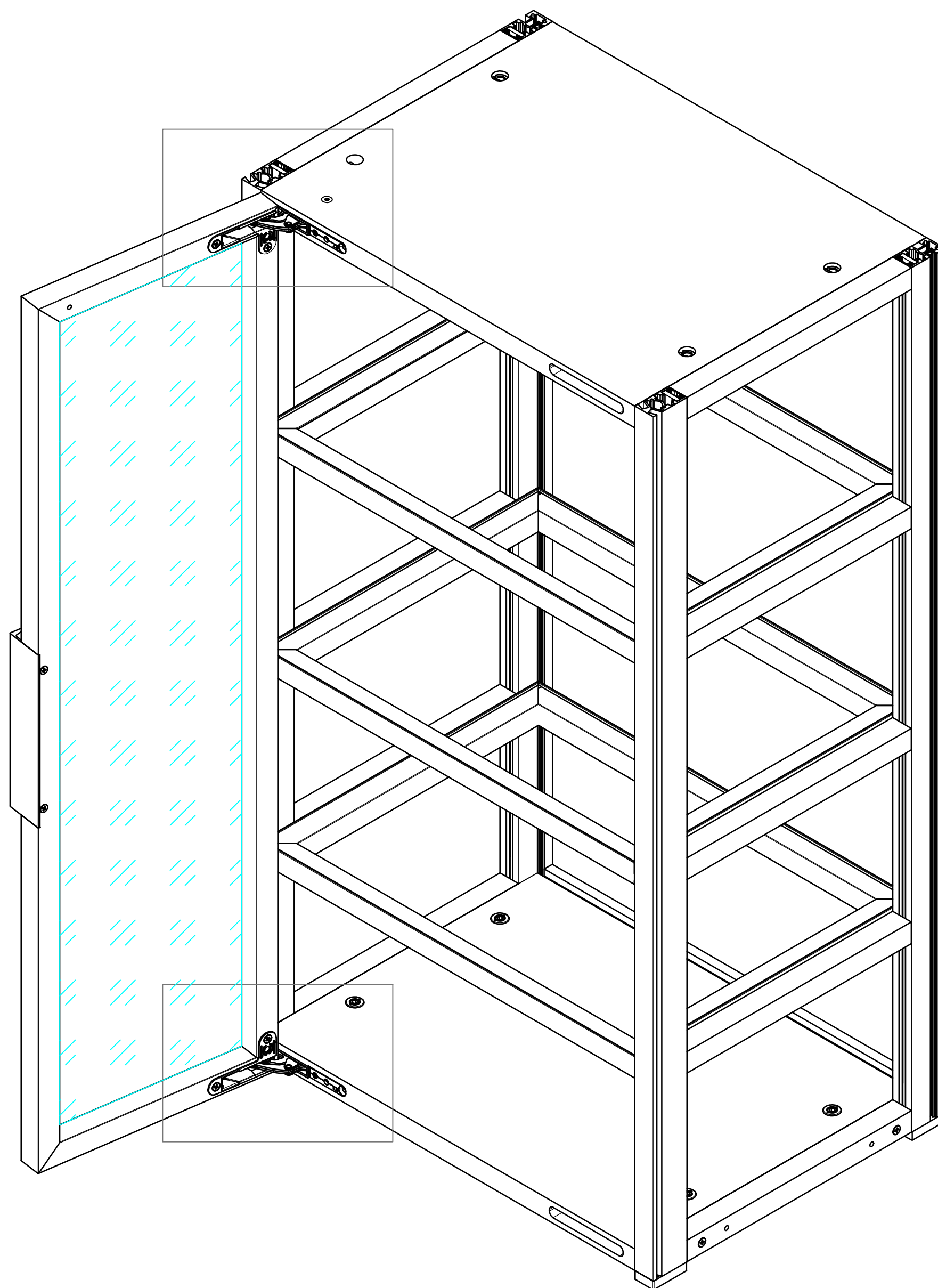
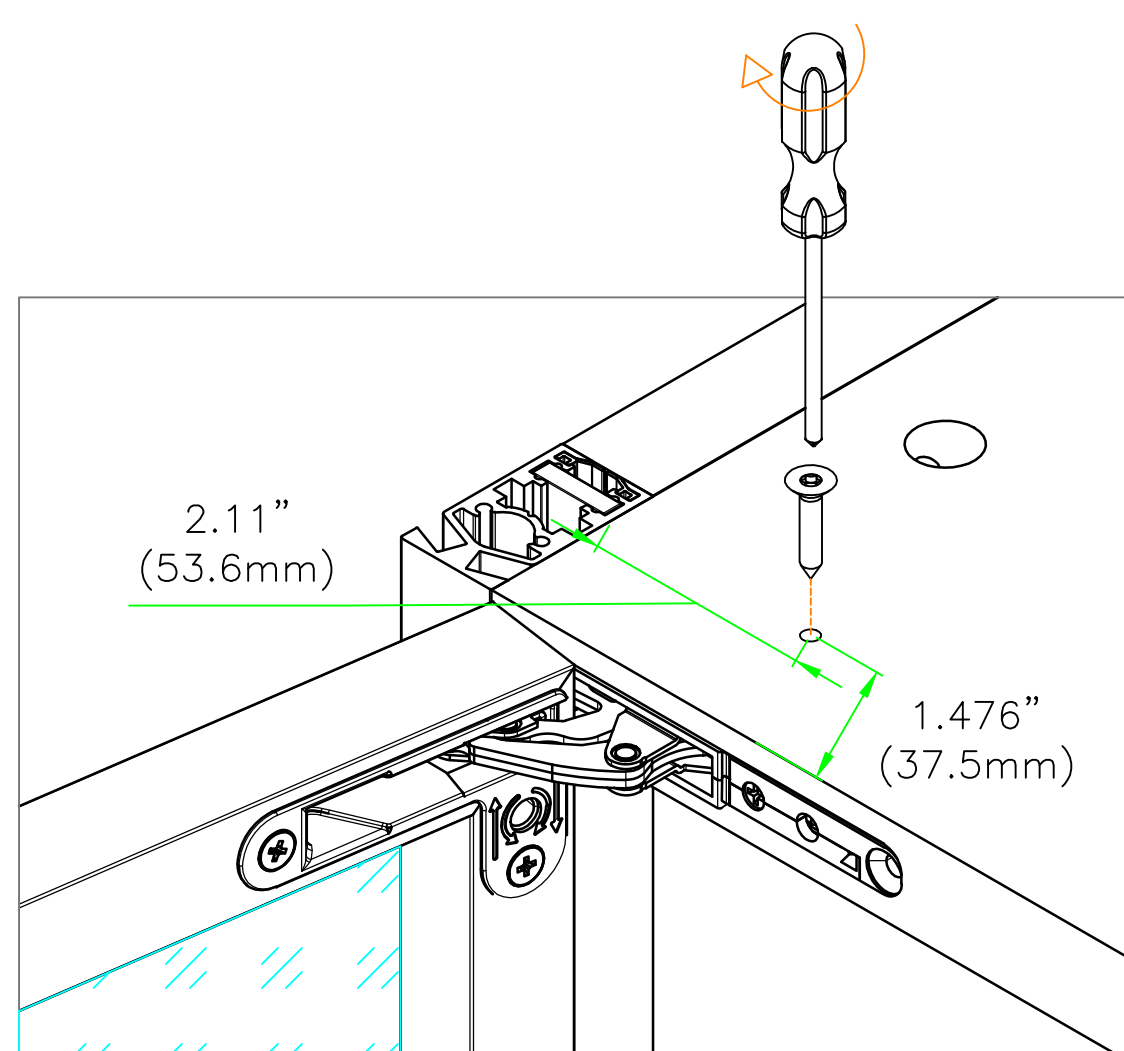


Hinge support IS-CE33-PI

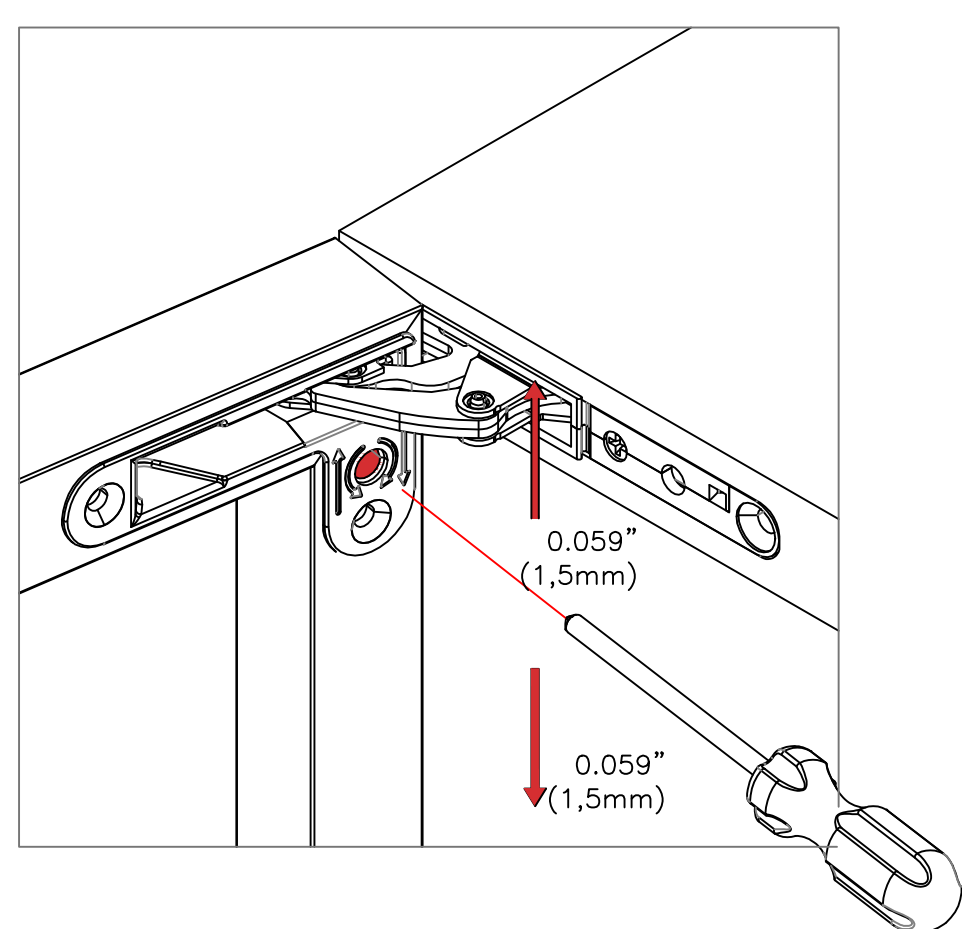
Hinge support IS-CE33-PI with top wood fixing hole



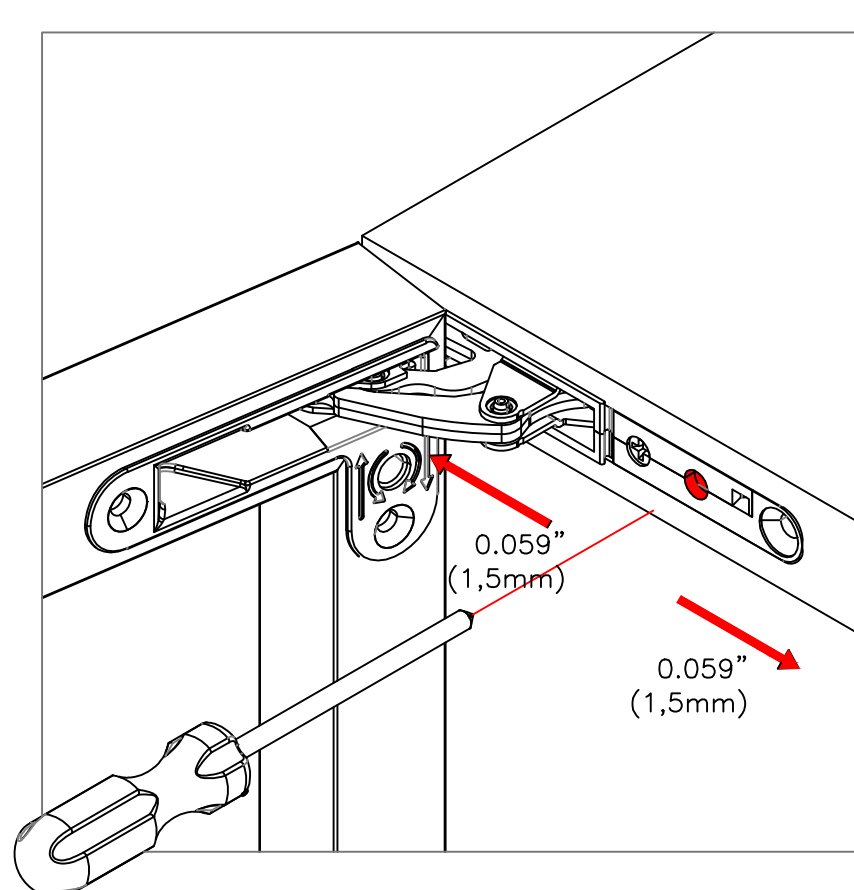
Security screw for hinge fixing to the top of the wardrobe



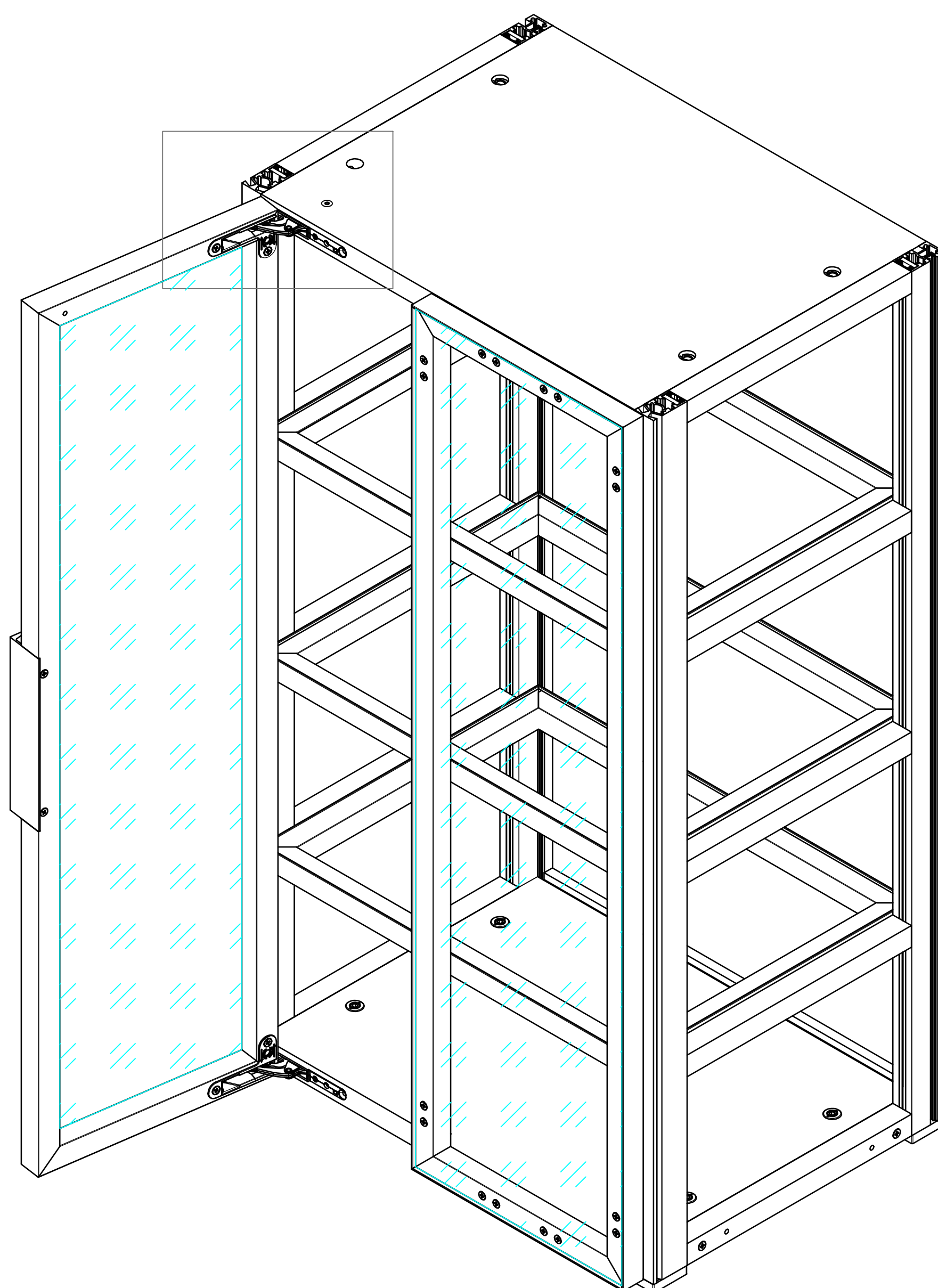
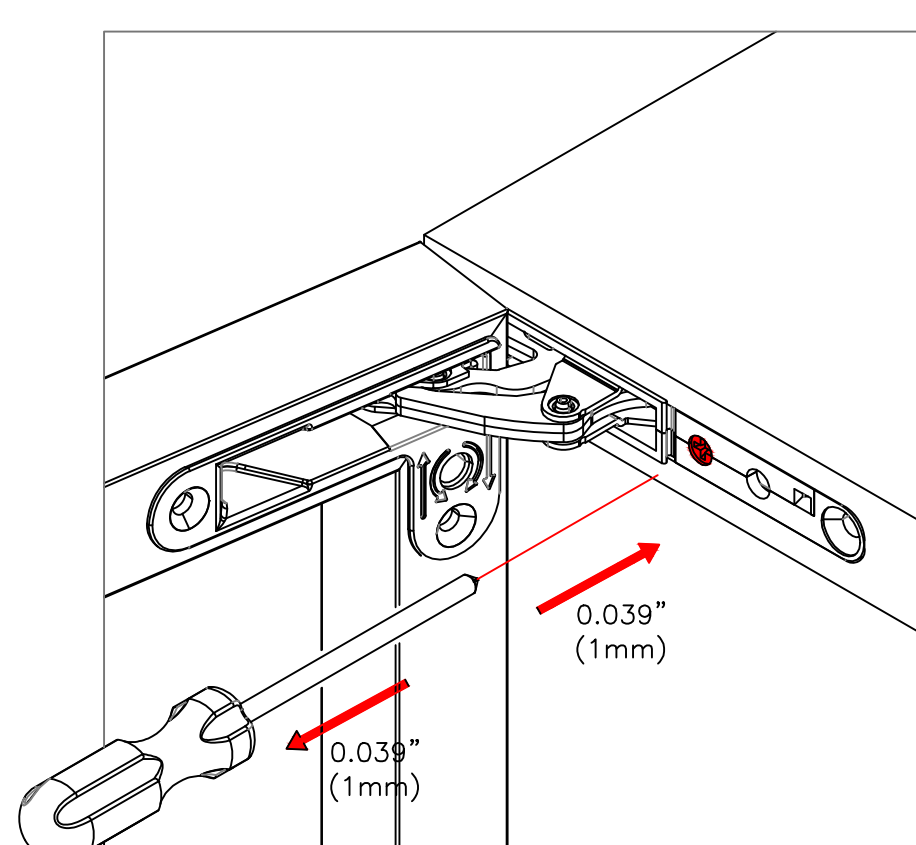
Height adjustment



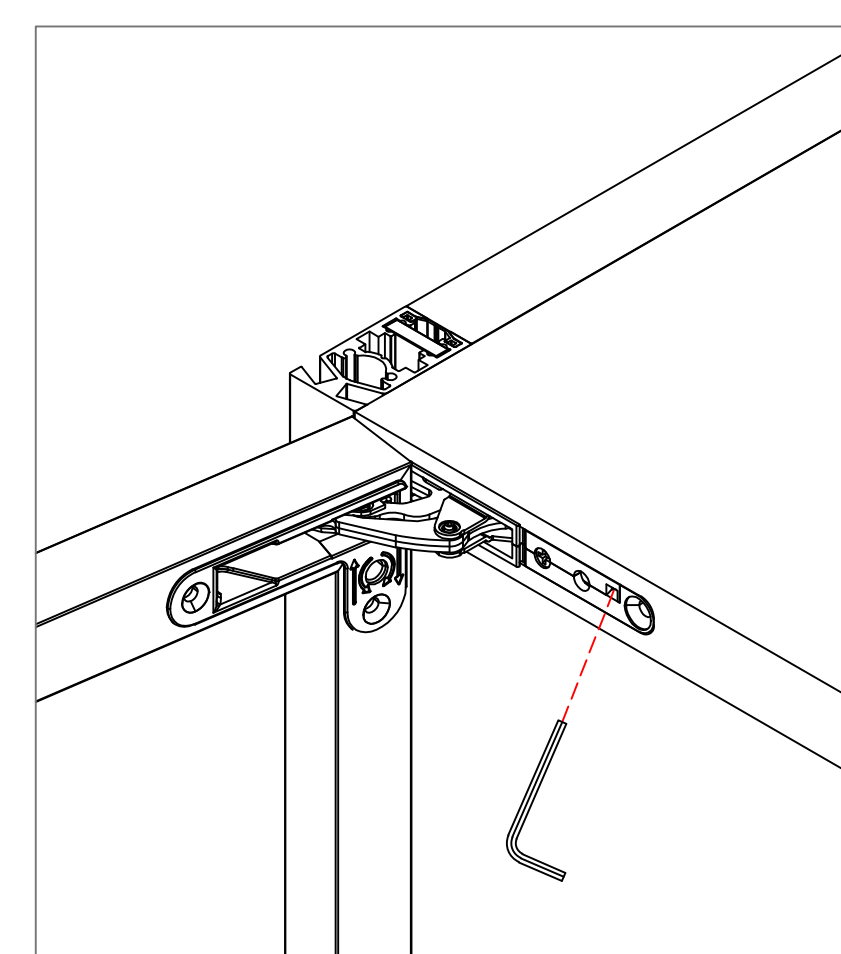
Width adjustment



Depth adjustment

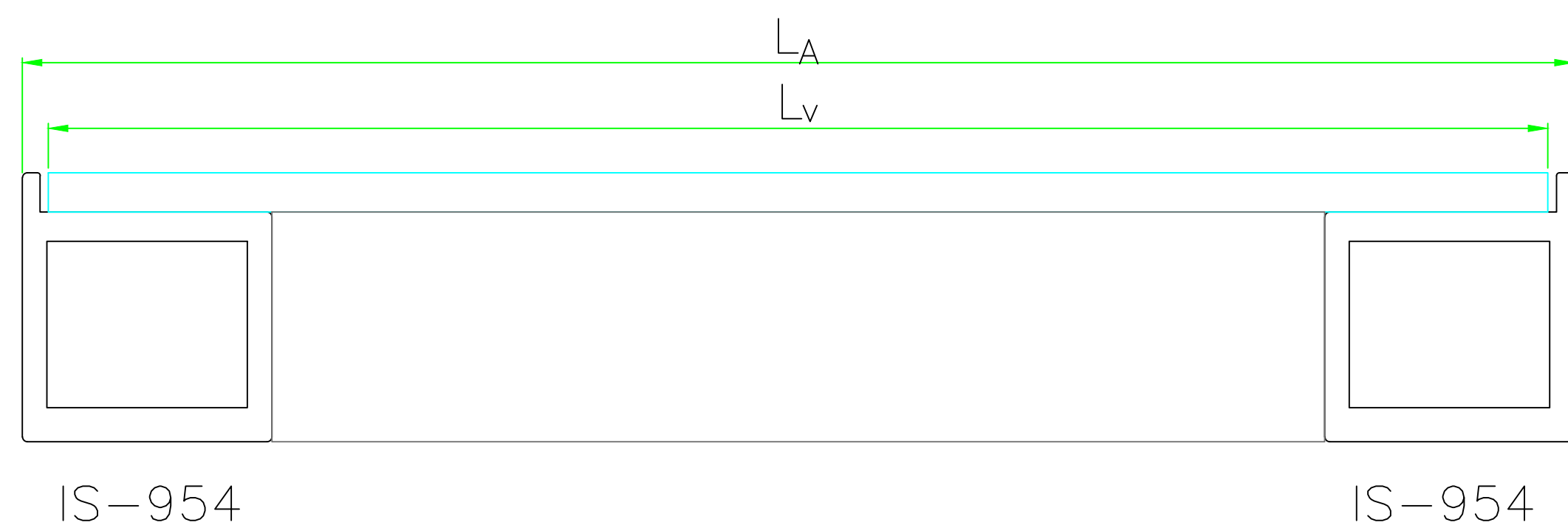


Fixing Grain to be tight after door adjustment



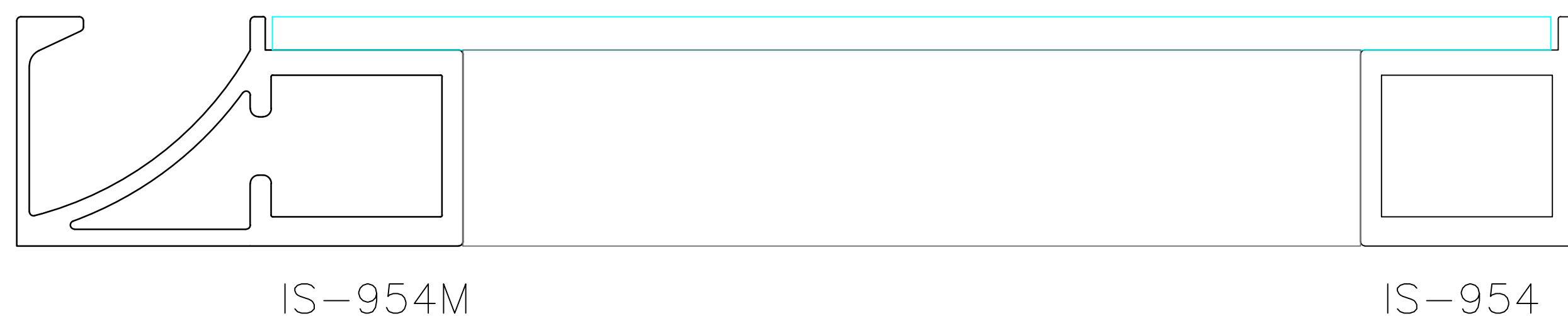
recommended for doors of more than 33 Kg.

Door technicals data to calculate glass dimension



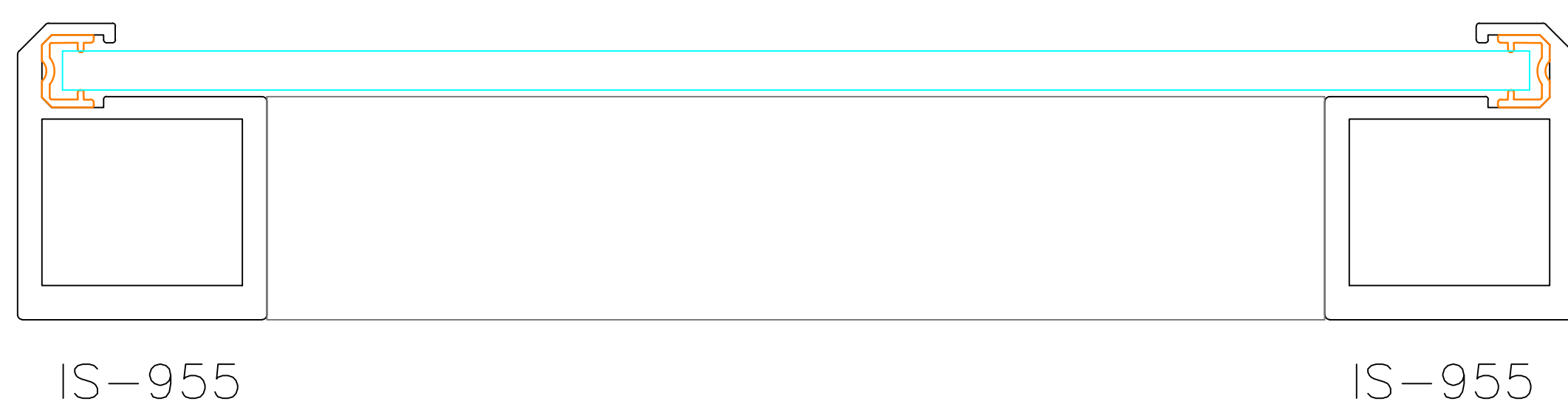
$$L_v = L_A - 0.177'' \text{ (4.5mm)}$$

$$H_v = H_A - 0.177'' \text{ (4.5mm)}$$



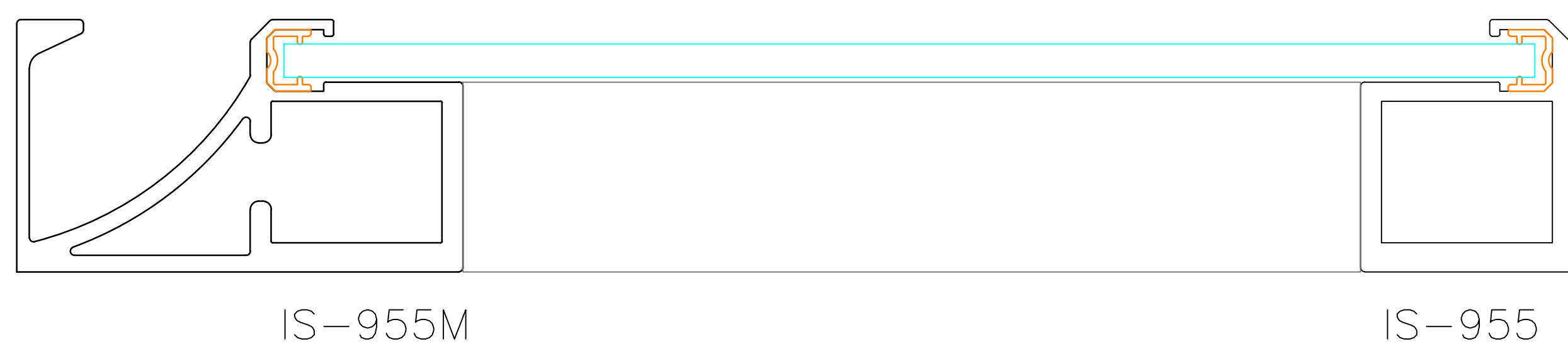
$$L_v = L_A - 1.279'' \text{ (32.5mm)}$$

$$H_v = H_A - 0.177'' \text{ (4.5mm)}$$



$$L_v = L_A - 0.354'' \text{ (9mm)}$$

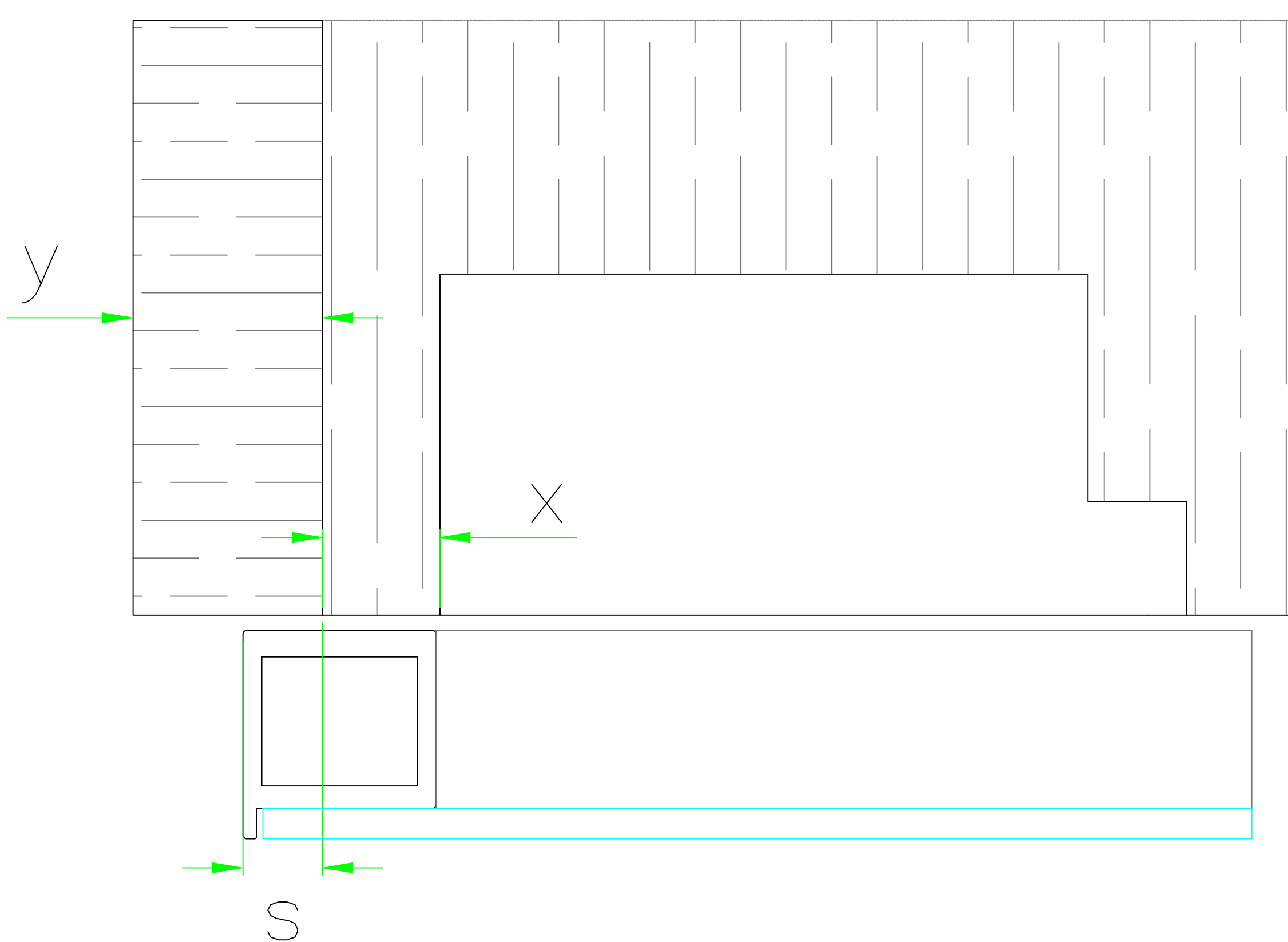
$$H_v = H_A - 0.354'' \text{ (9mm)}$$



$$L_v = L_A - 1.456'' \text{ (37mm)}$$

$$H_v = H_A - 0.354'' \text{ (9mm)}$$

Door technicals data to calculate door overlap



door overlap

$$s = (y / 2) - 0.078'' \text{ (2mm)}$$

wood panel machining for hinge without support

$$x = 1.023'' \text{ (26mm)} - s$$

wood panel machining with support

$$x = 0.984'' \text{ (25mm)} - s$$