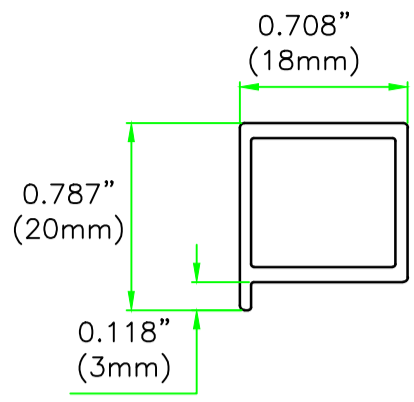


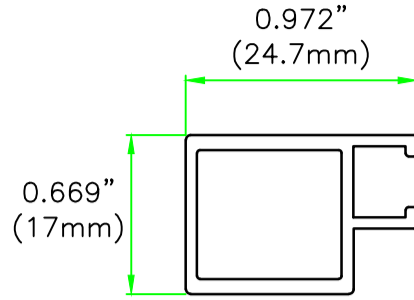
ANTA MINI IKS



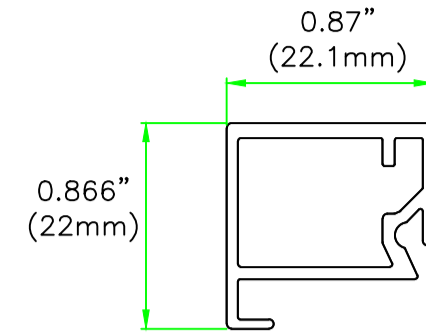
Profiles and Accessories for Mini Iks Door



ISM-956
Door profile
with glue glass

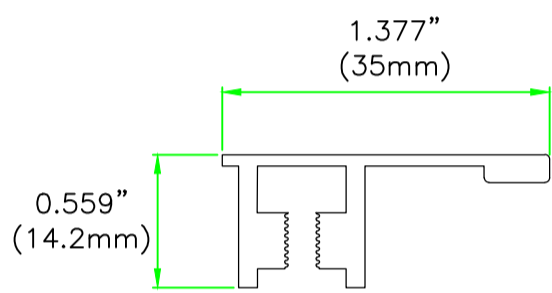


ISM-955
Door profile
with gasket for glass

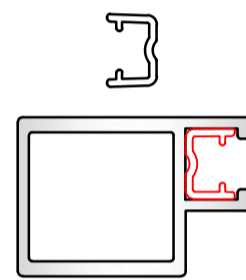


ISM-957
Door profile
with gasket for glass

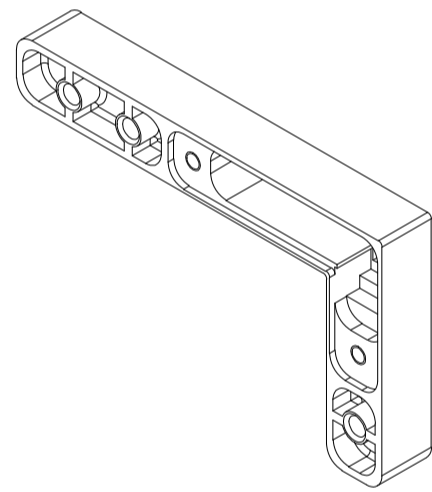
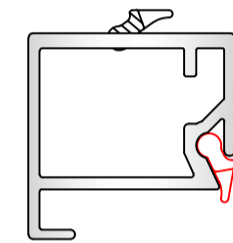
ISM-986
Handle profile
standard height 4.724" (120 mm)



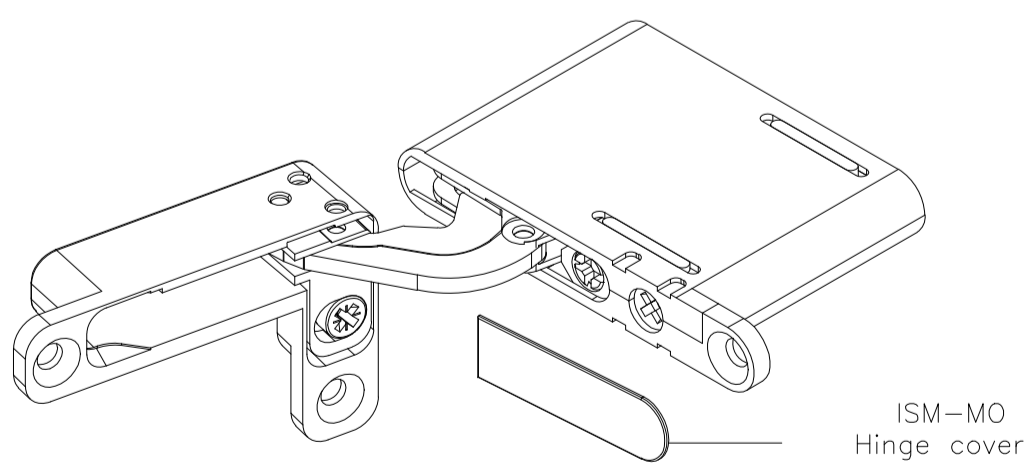
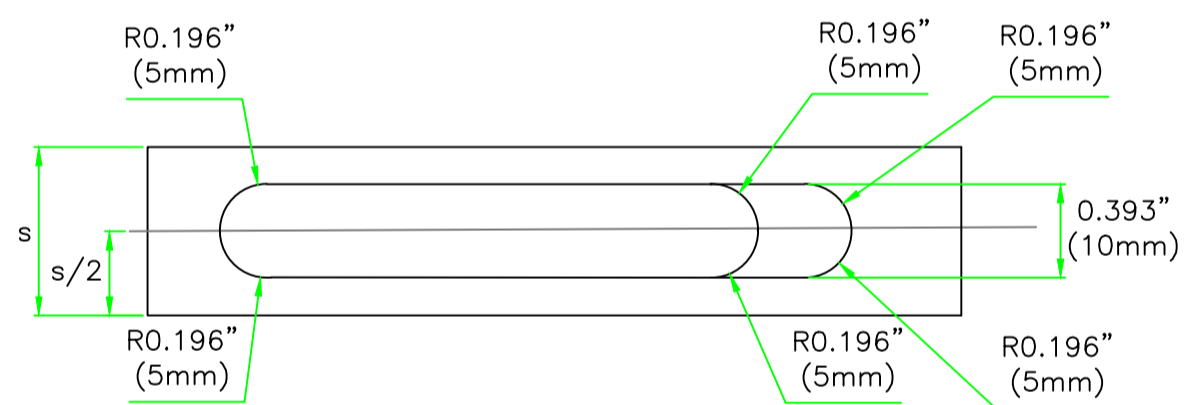
GU-4
Gasket For glass



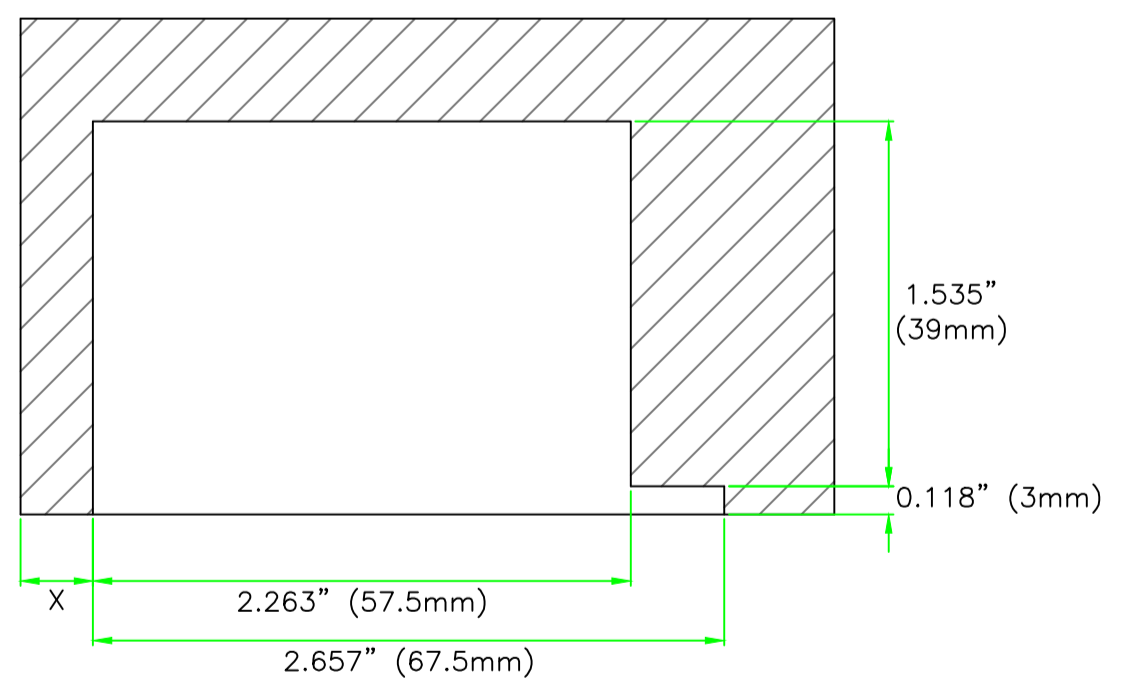
GU-C-1000
Gasket For glass



ISM-G
Right/left connecting joint MINI
IKS door with
hinge ISM-CE



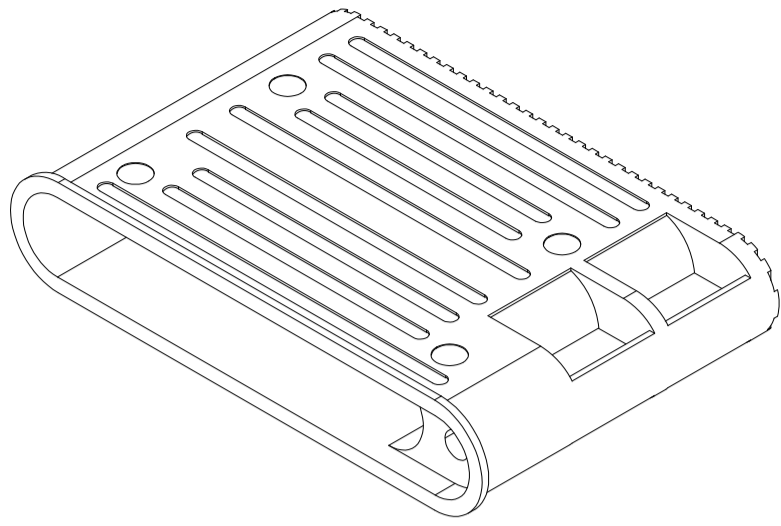
ISM-MO
Hinge cover



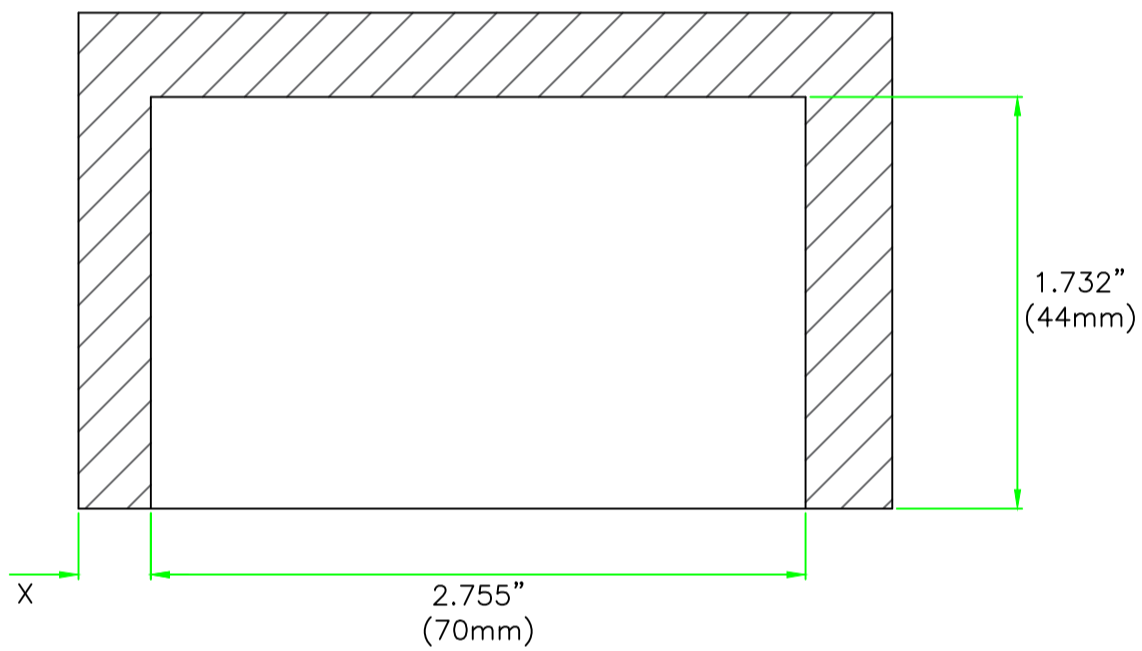
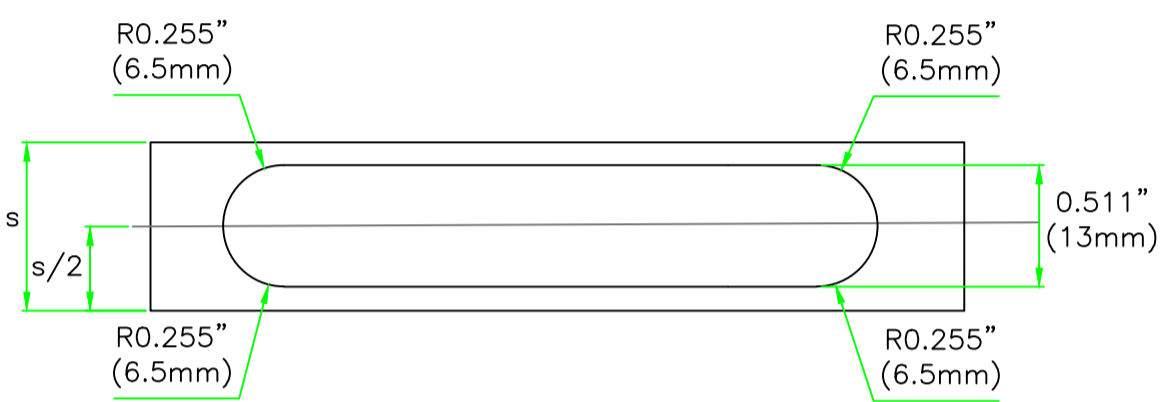
Working detail for top/bottom wooden
panel to put body hinge

- Hinge ISM-CE With damper
- Hinge ISM-CE-MC reverse spring
- Hinge ISM-CE-S/AMM no damper
- Opening 103°, Max load capacity 17 kg

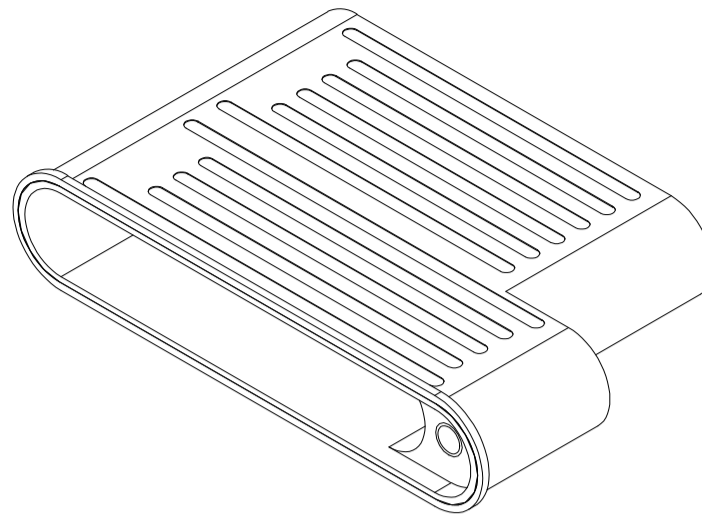




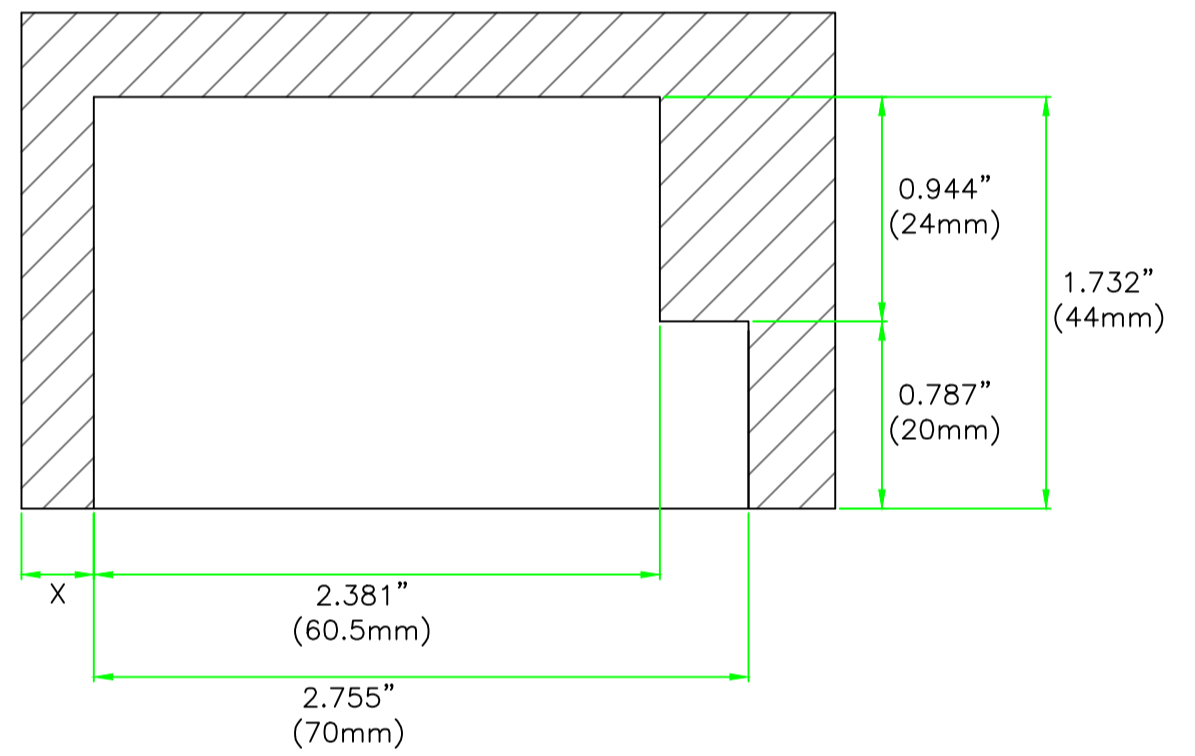
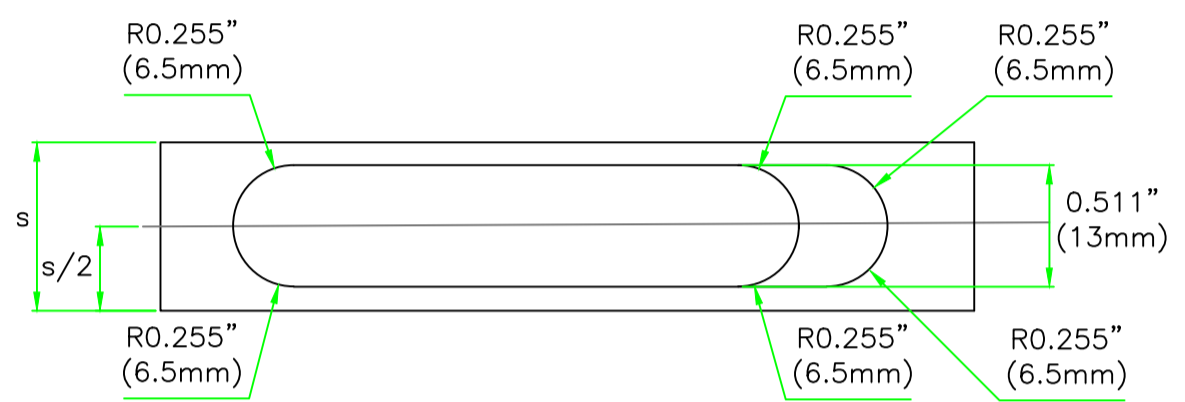
Hinge support SUPP-ISM-CE-CF
Fixing by screw



Working detail for top/bottom
wood panel to put
body hinge with support

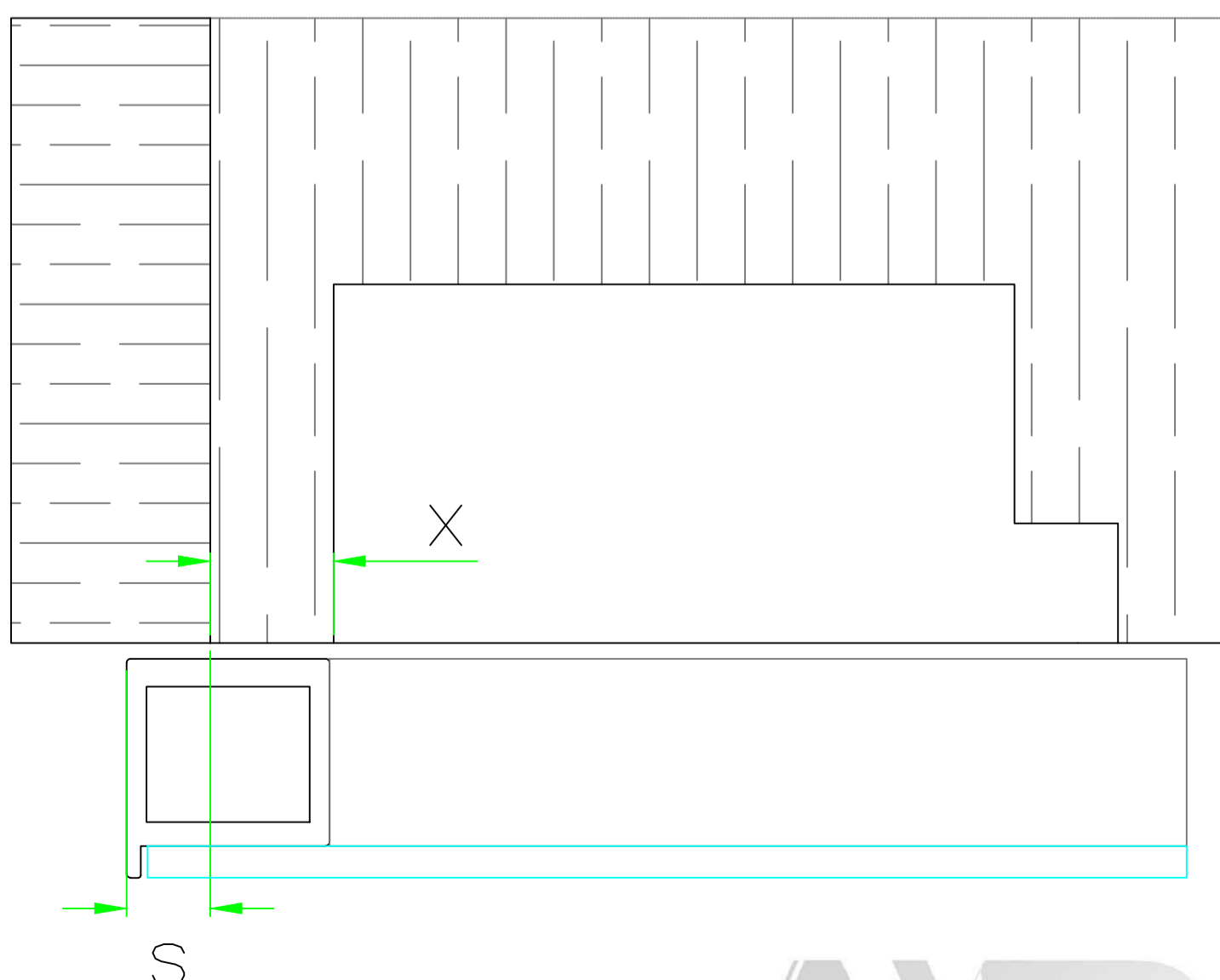


Hinge support
SUPP-ISM-CE-SF
Fixing by glue



Working detail for top/bottom
wood panel to put
body hinge with support

Technical data to calculate door overlap



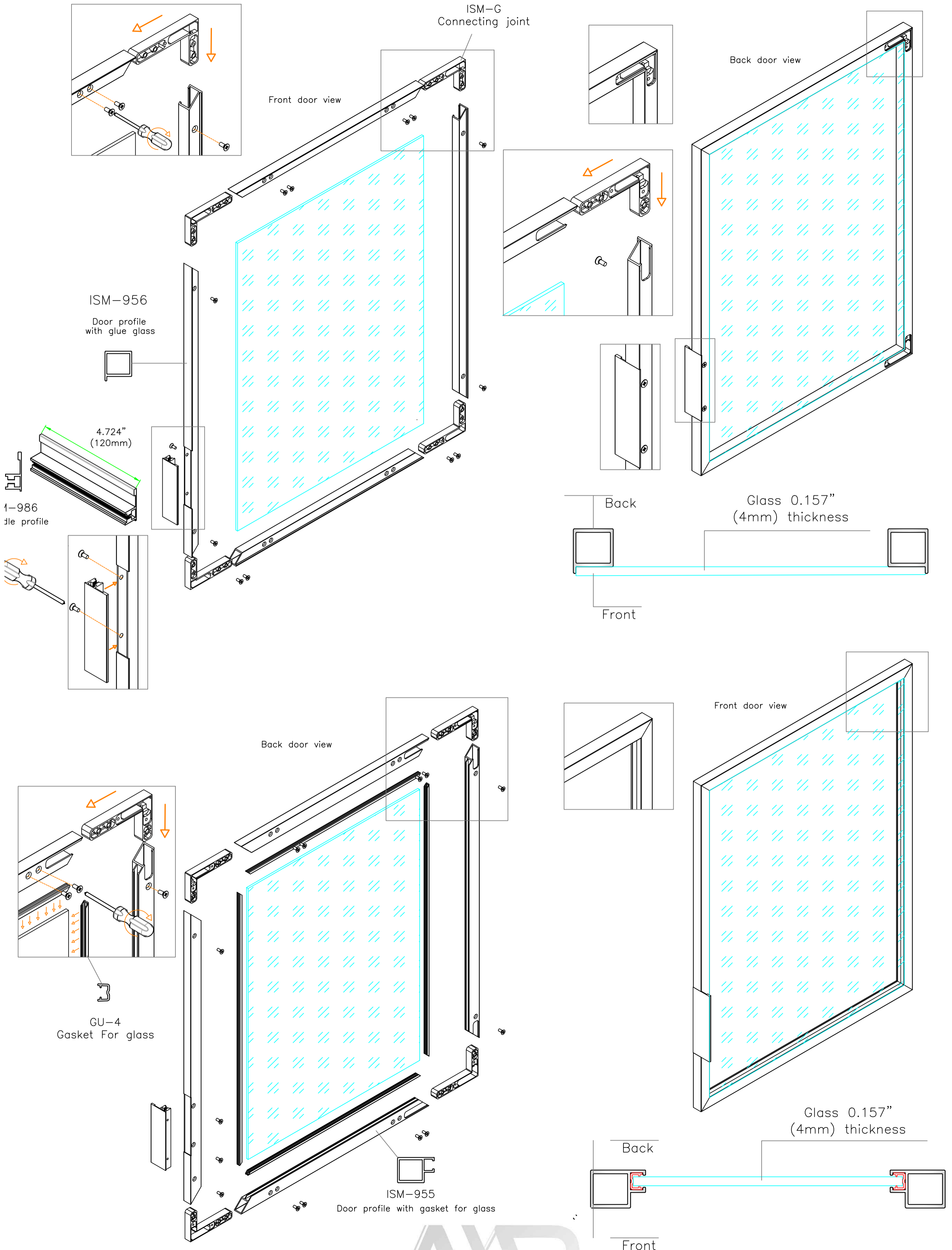
s = door overlap at customer's discretion

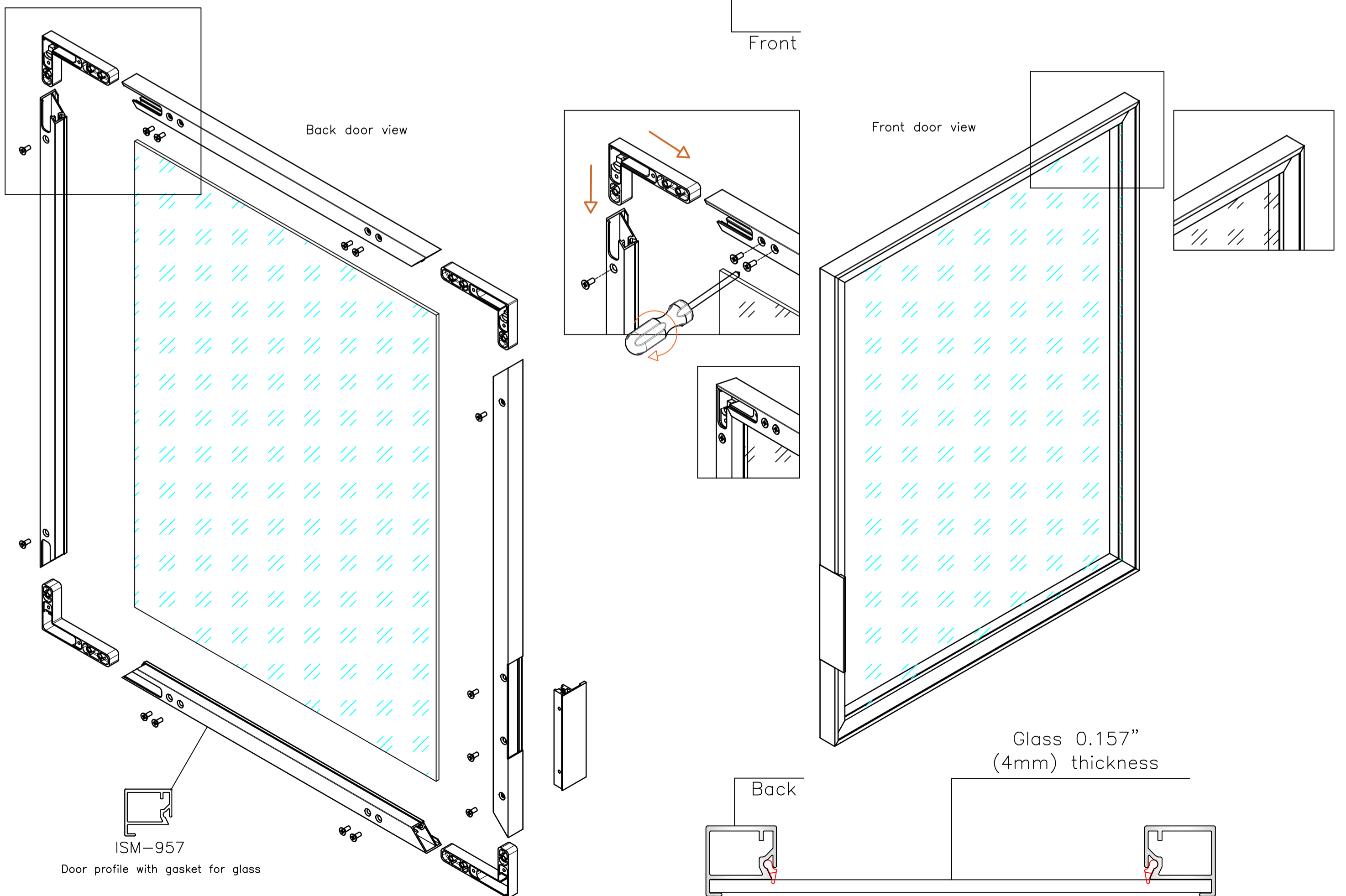
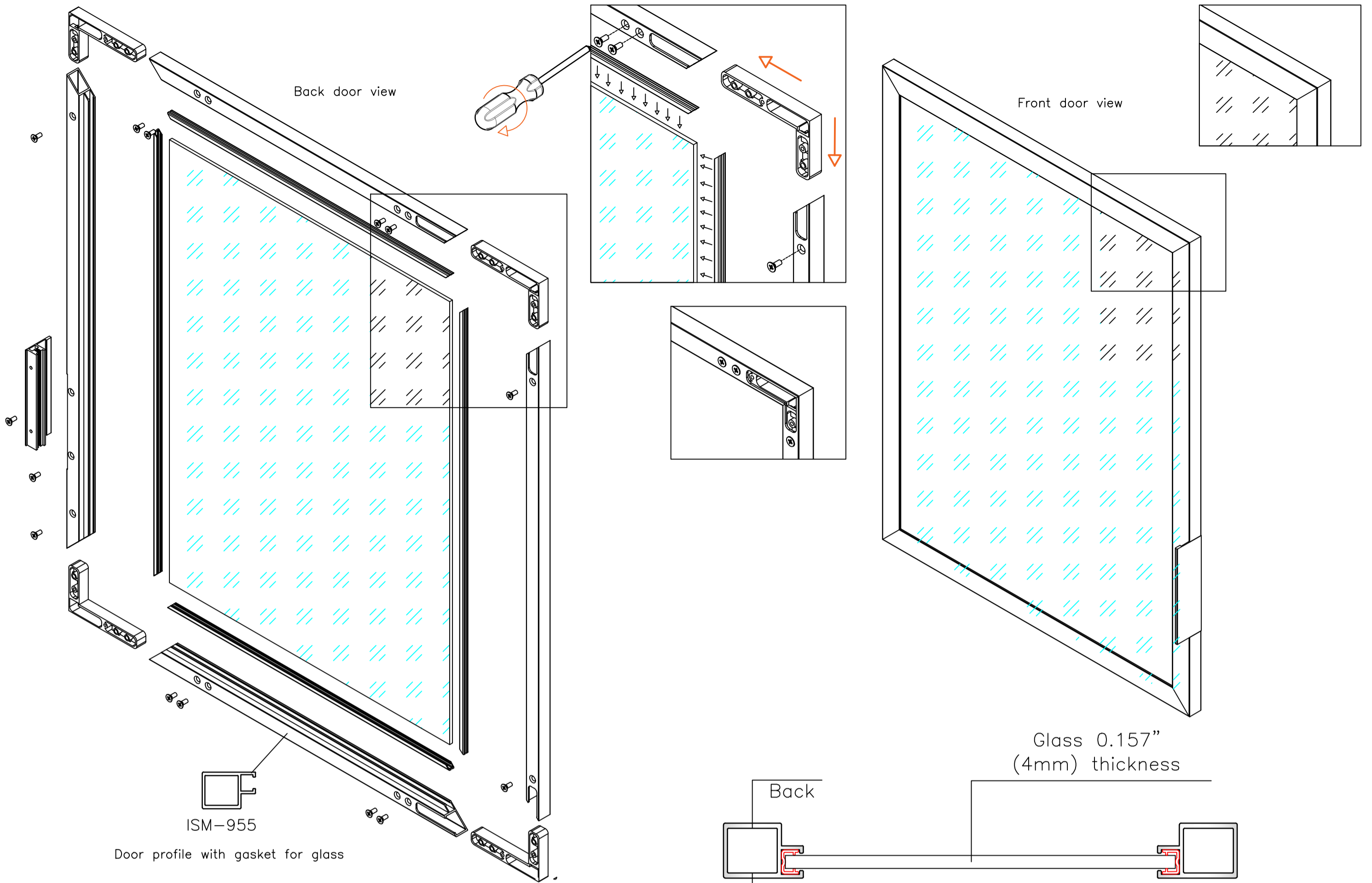
$$D = 0.102'' \text{ (2.6 mm)}$$

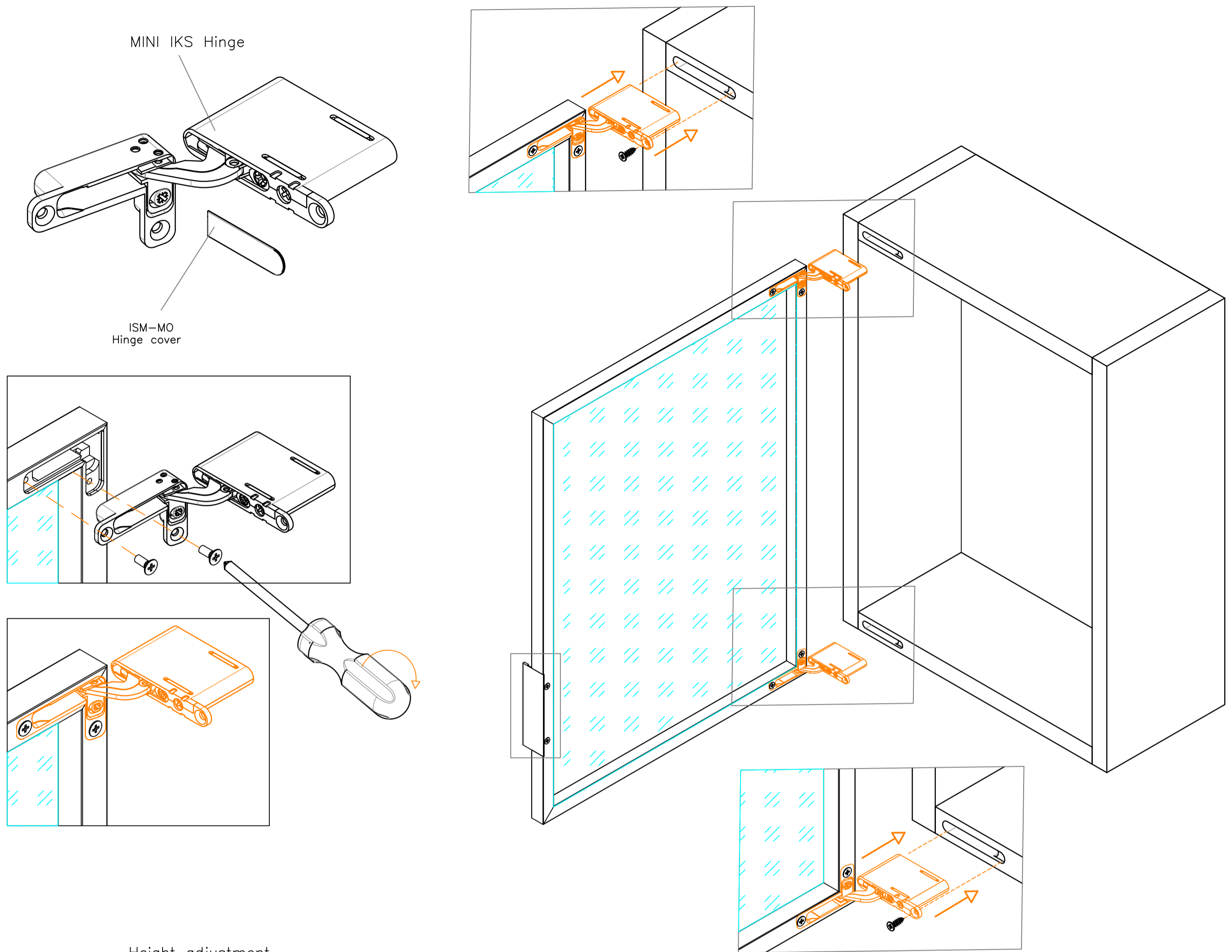
$$x = (0.669'' \text{ (17mm)} + D) - s$$



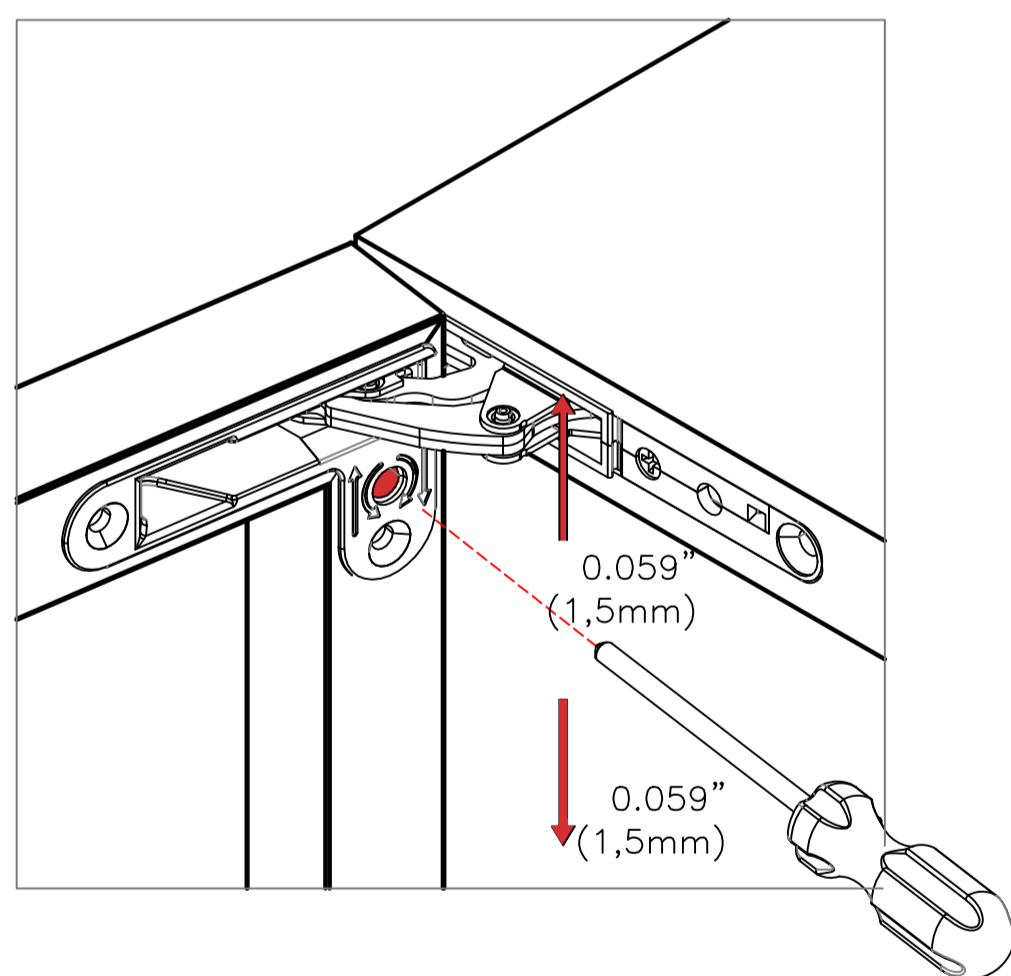
Assembling instruction: Mini Iks Door



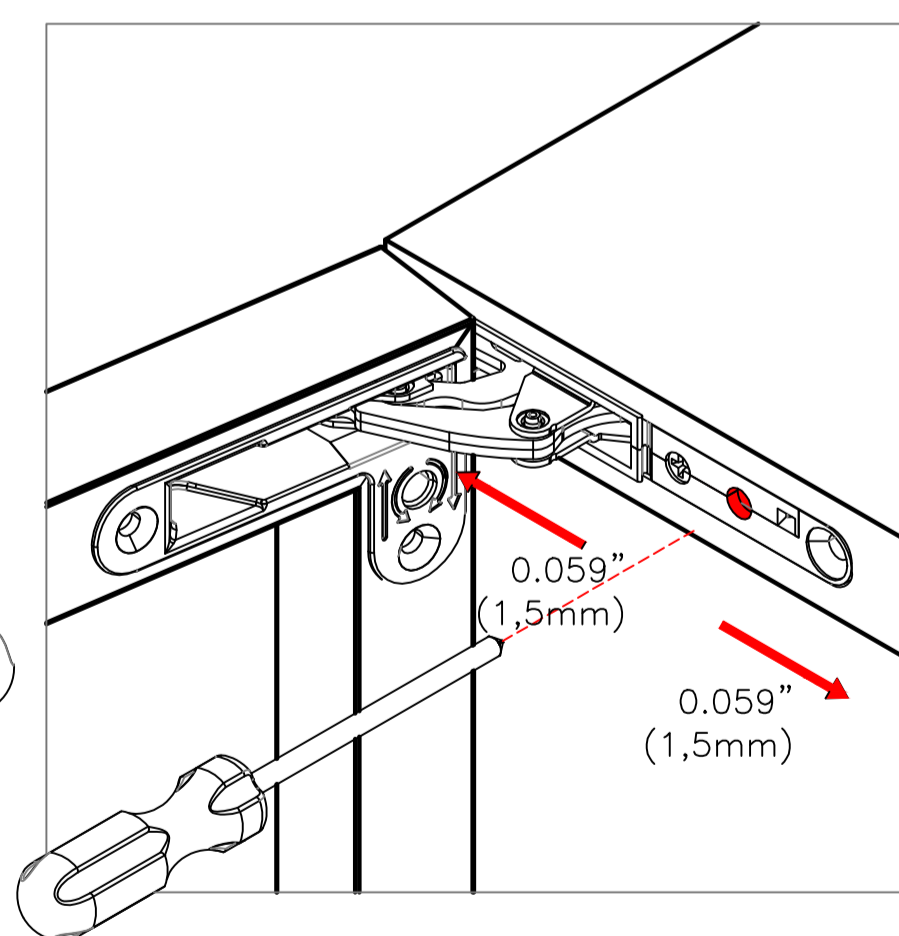




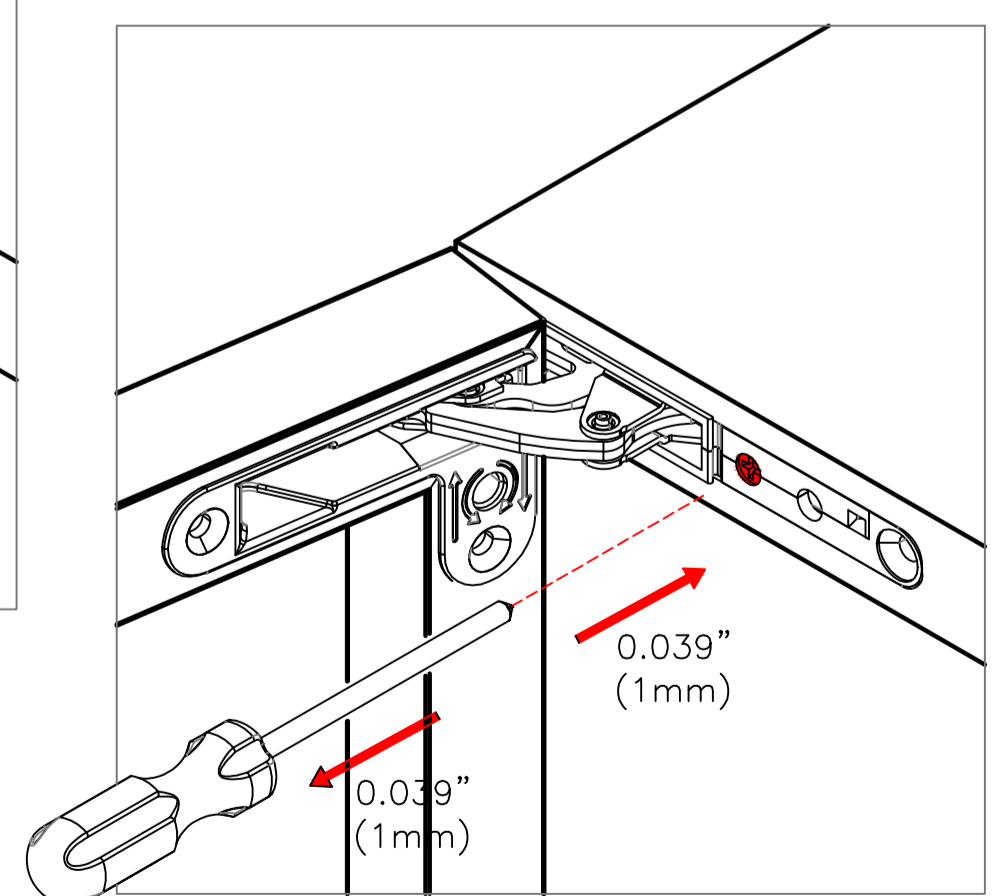
Height adjustment

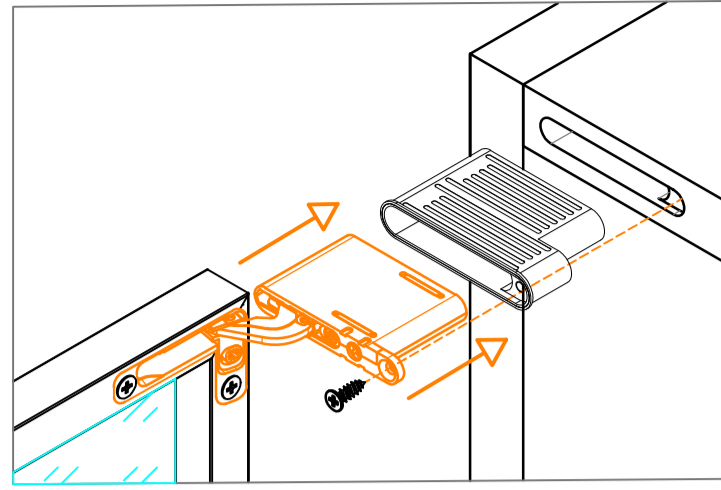
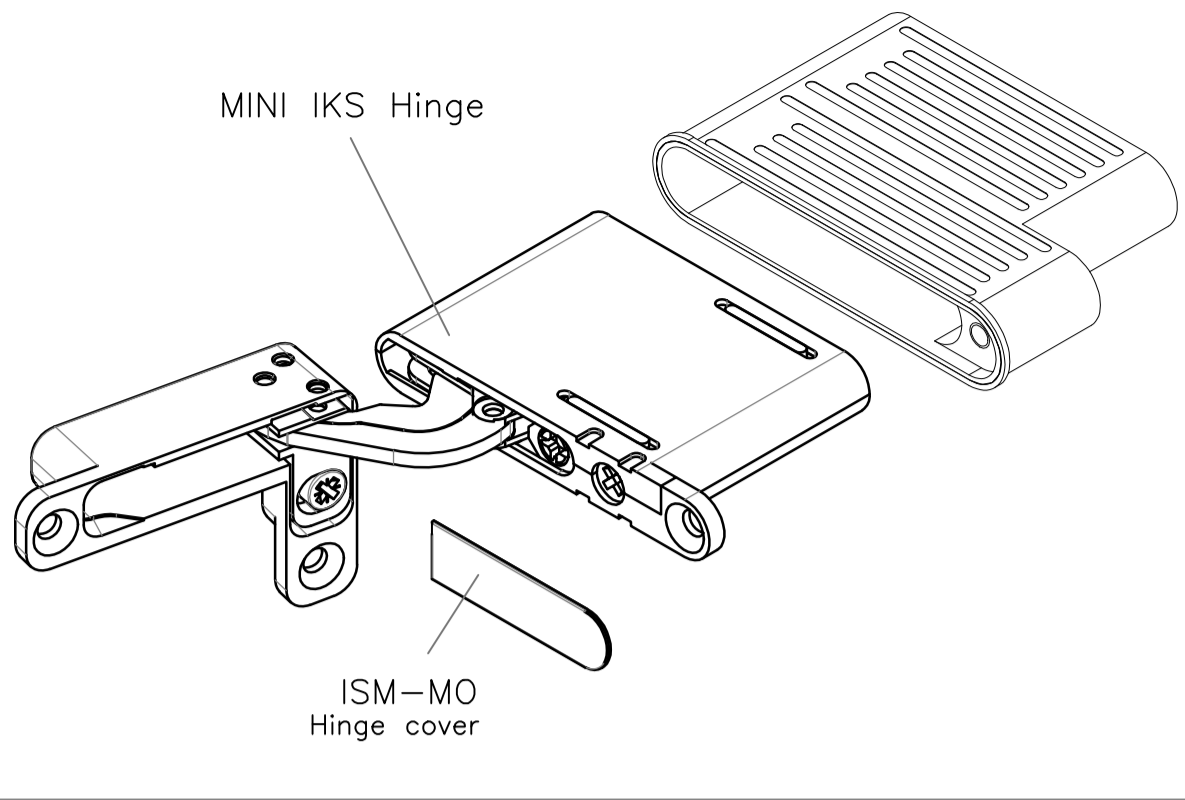


Width adjustment

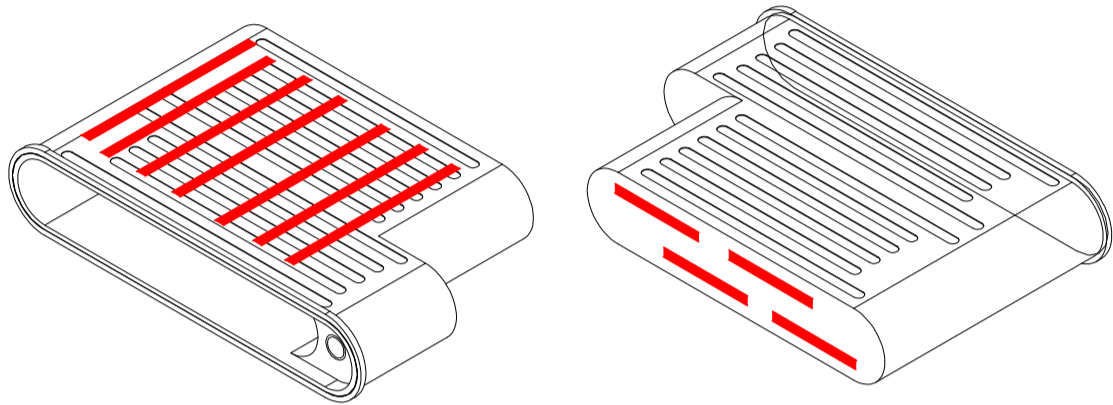


Depth adjustment

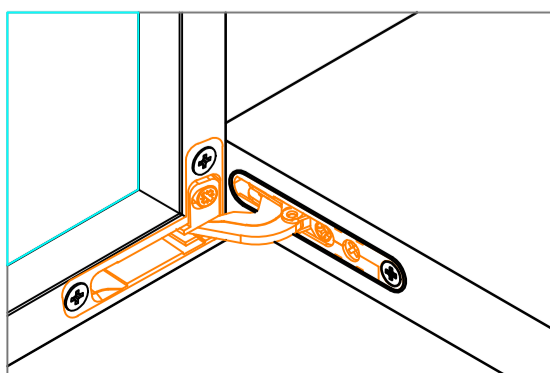
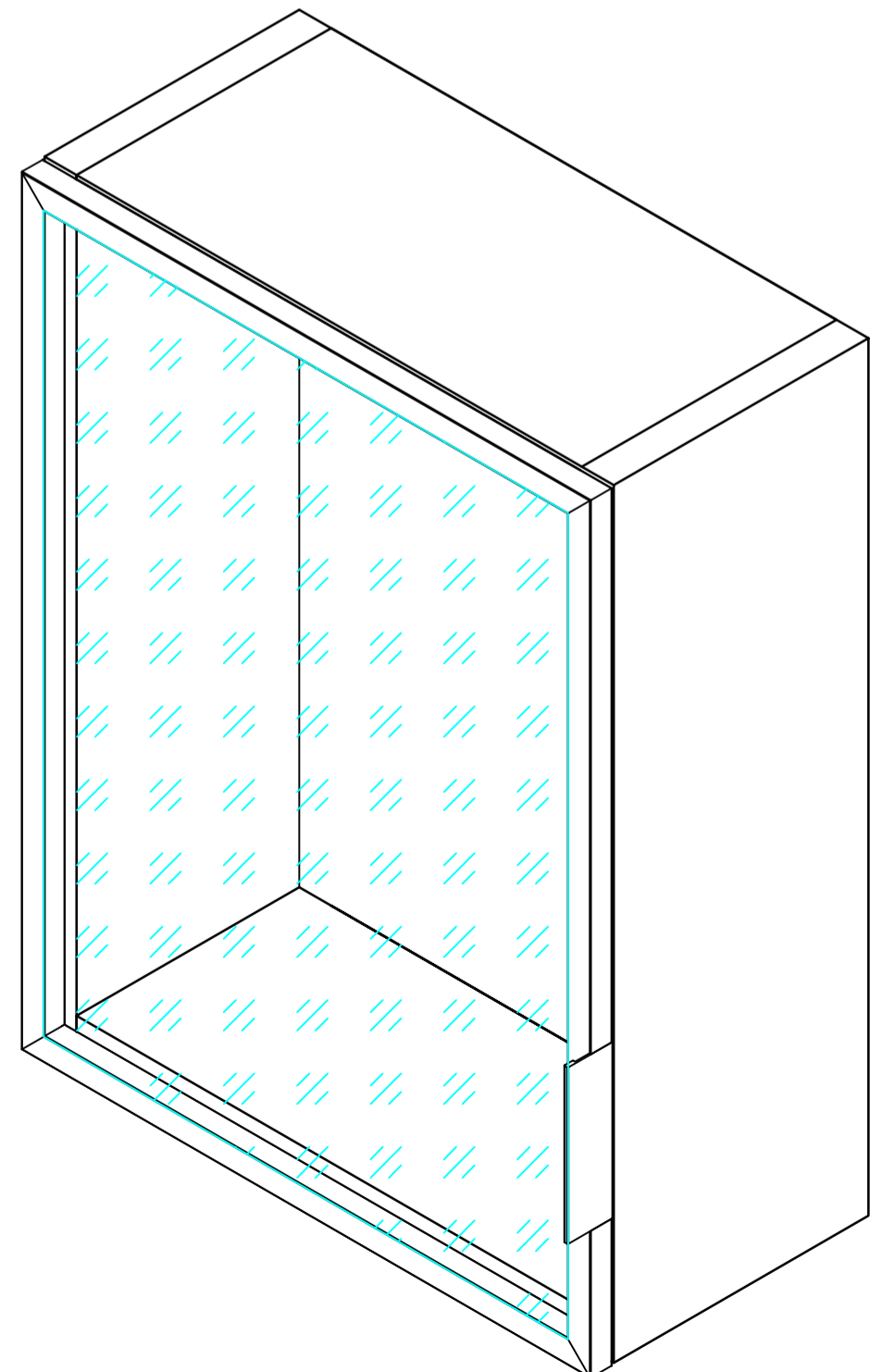
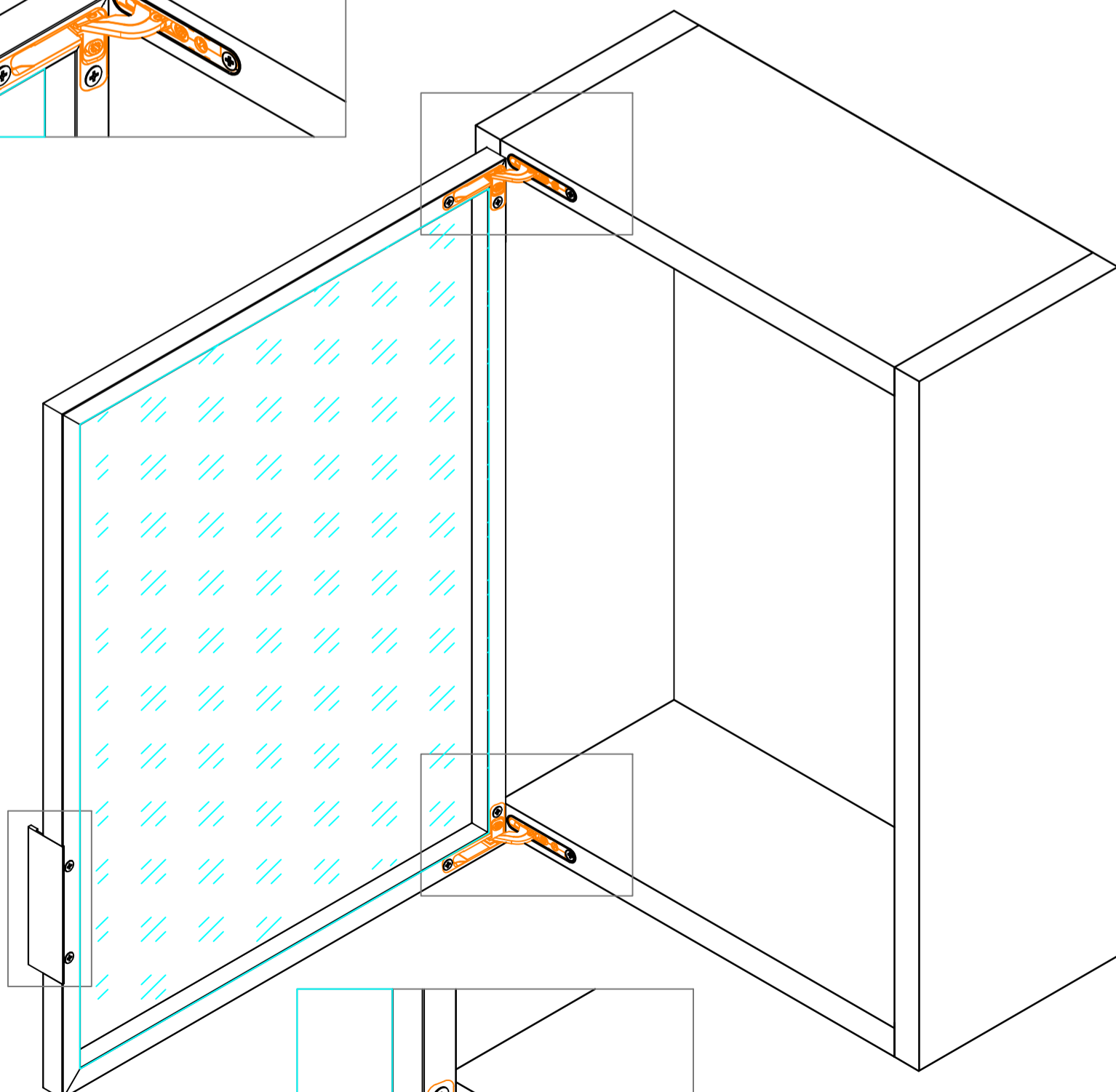
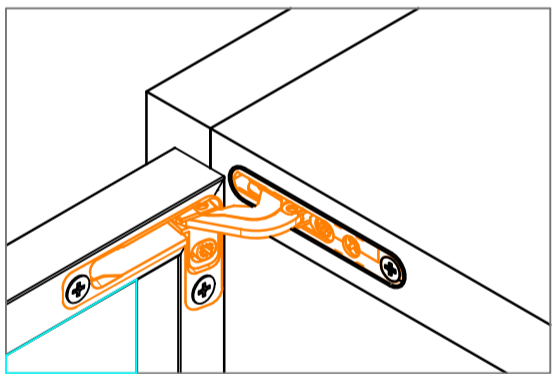
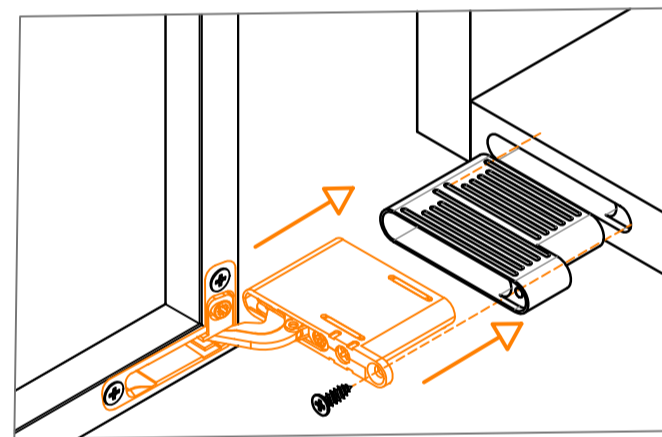
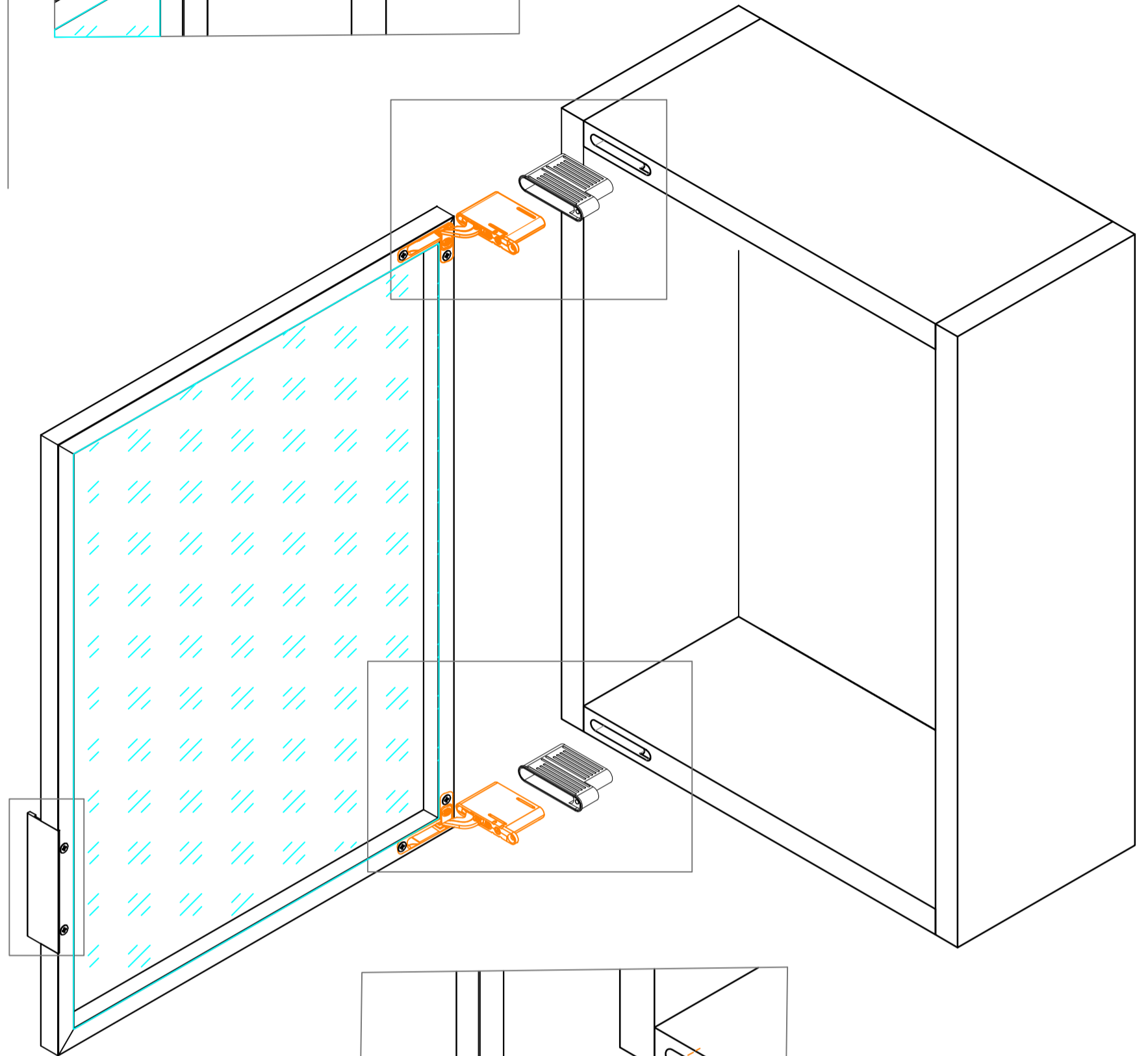
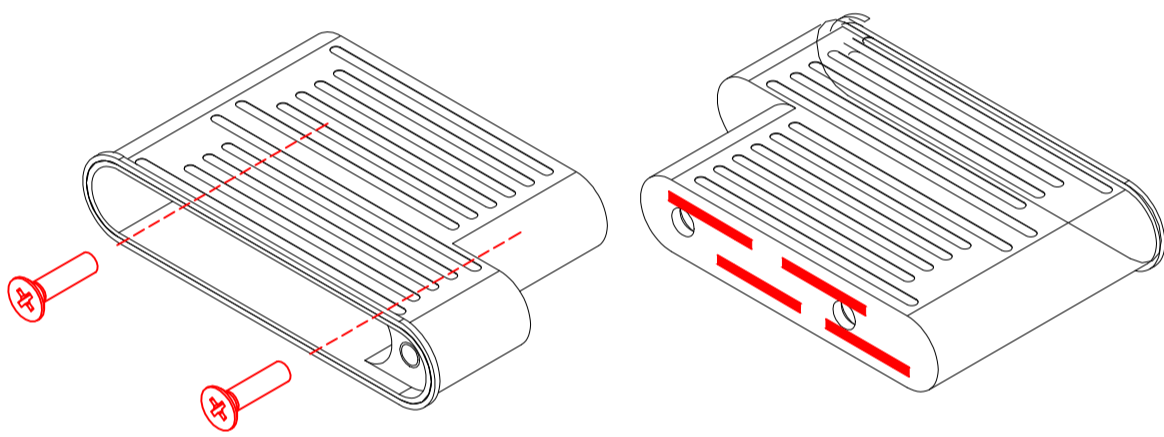




Hinge support SUPP-ISM-CE
Fixing by glue



Hinge support SUPP-ISM-CE-CF
Fixing by screw



Mini Iks door Technical Data to calculate glass dimension

