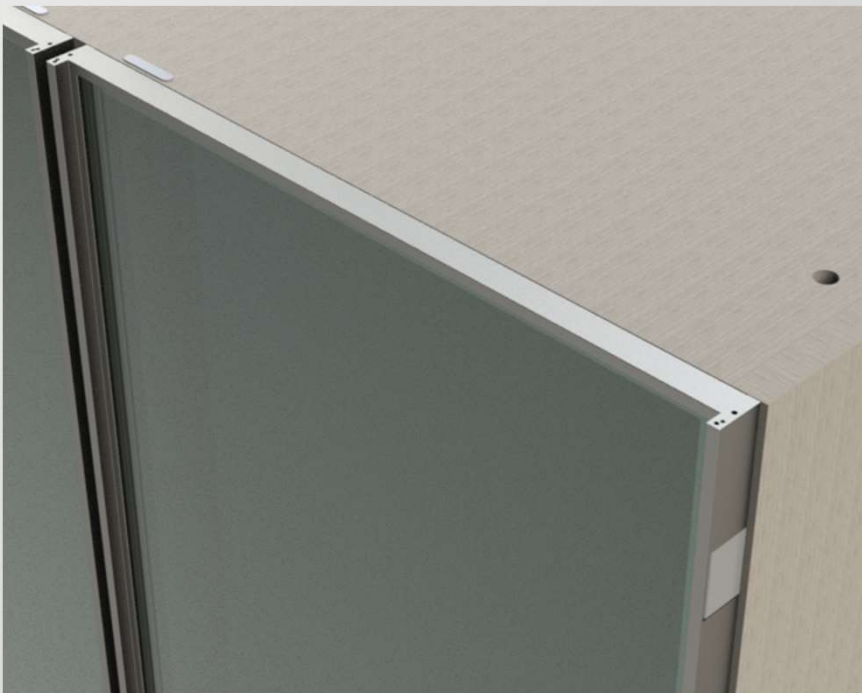
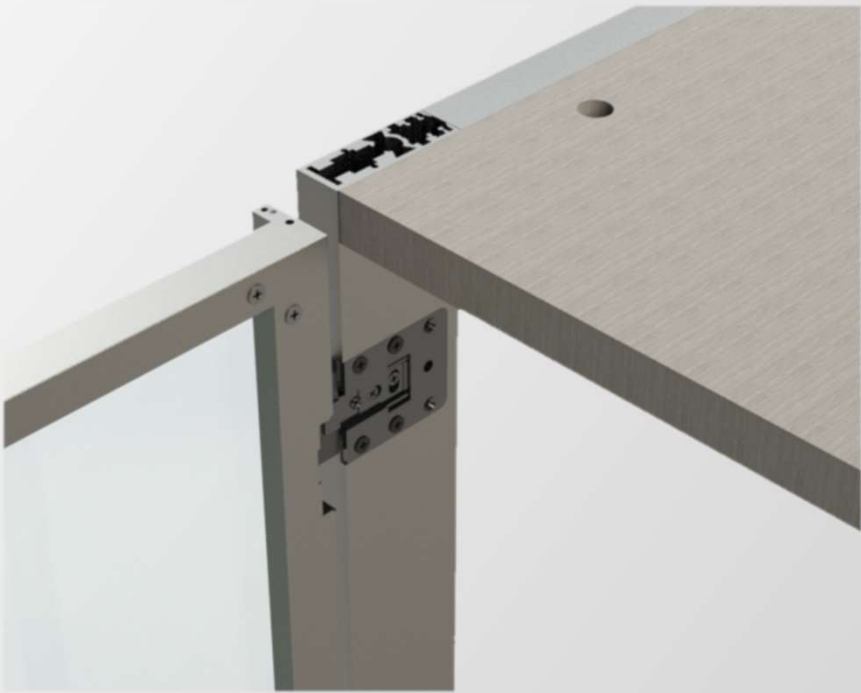
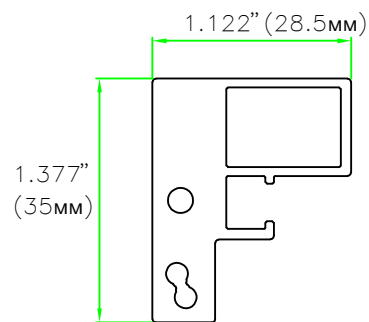


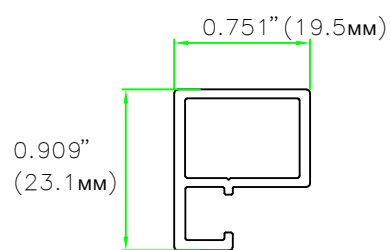
ANTA DESEO



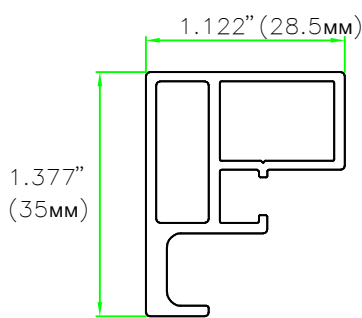
Profiles and Accessories for deseo Door assembling



DS-108
Hinge profile



DS-1923
upper and lower
Horizontal profile

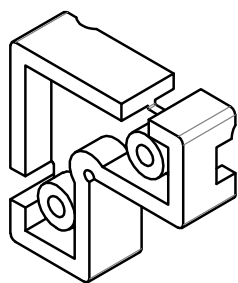


DS-2835
Handle profile

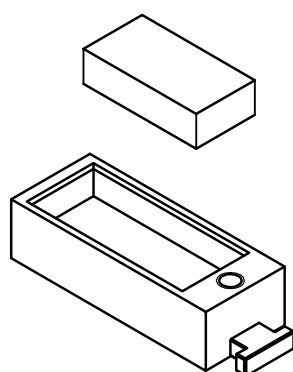


Gasket for 0.157" (4mm)
glass

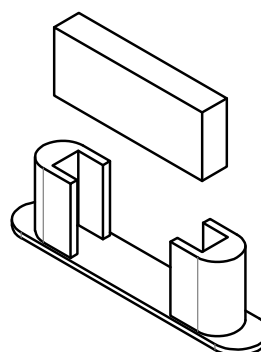
KIT DS-MAG-ANTA



GIU-260
Connecting joint



PC-ANT-DS
Door magnet holder



PC-CAP-DS
wooden top magnet
holder



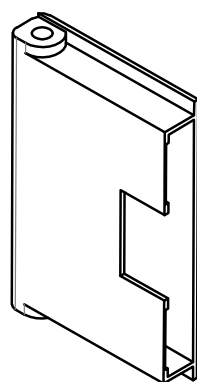
DS-PA-NERO
pvc door stop

Hinge cover (raw or finish on request)

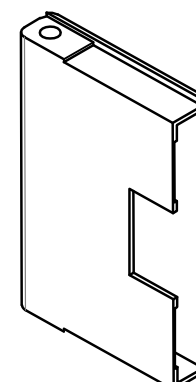


DS-PERNO-ROT

set of two rotation pins
with set screw M5



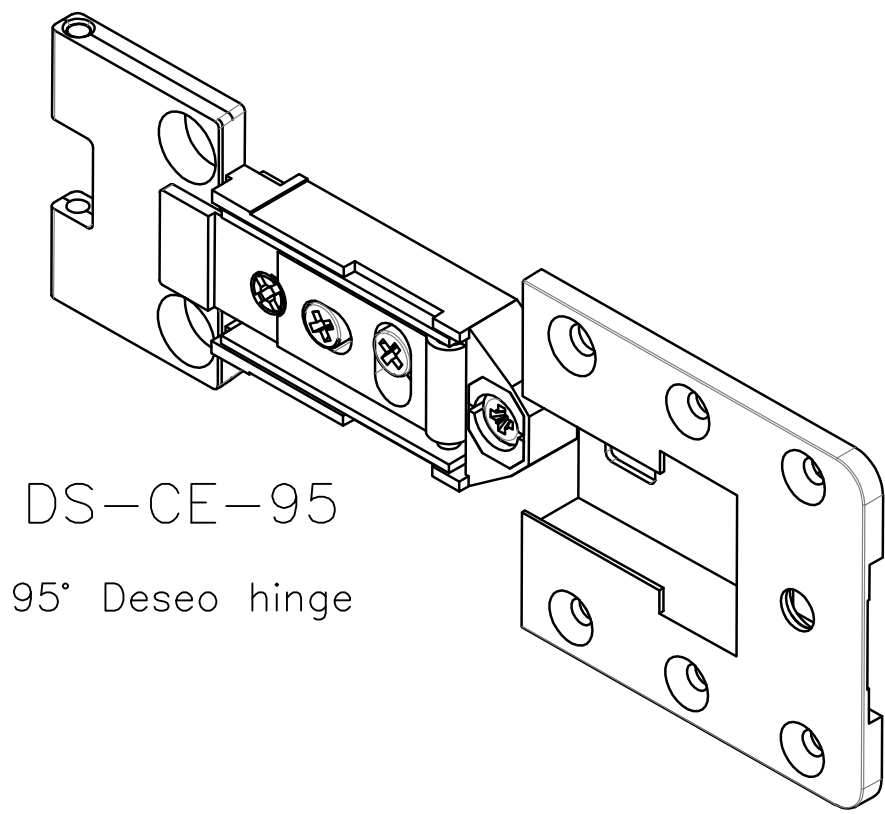
COP-DS-95
95° Hinge cover



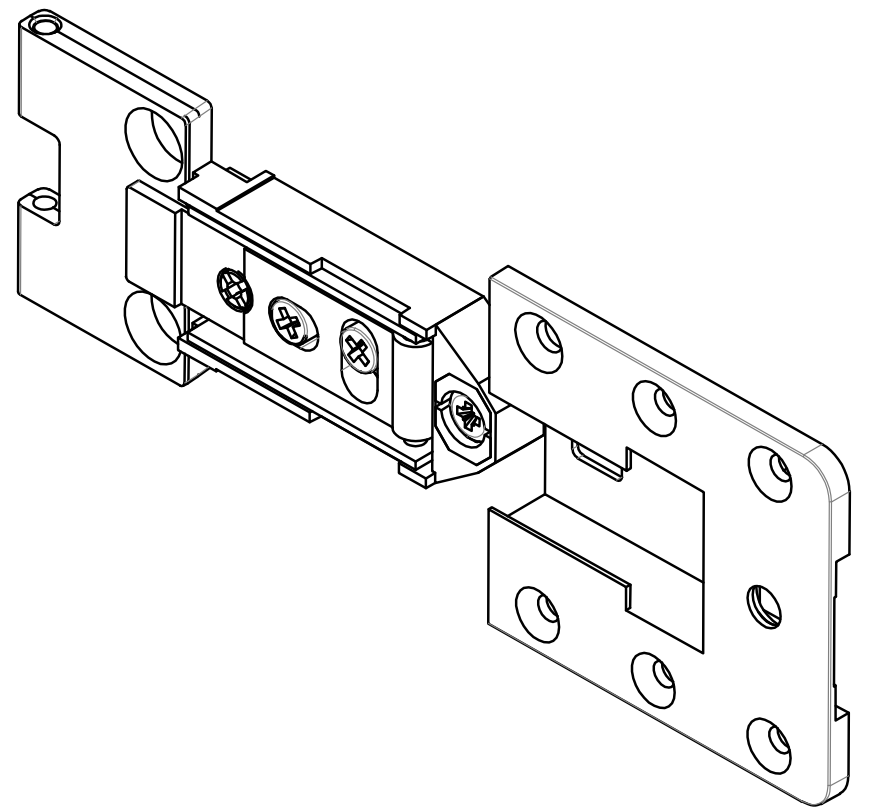
COP-DS-180
180° Hinge cover

DS-KIT-CE-95

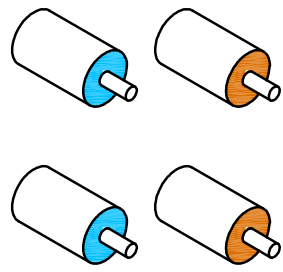
95° Deseo hinge KIT



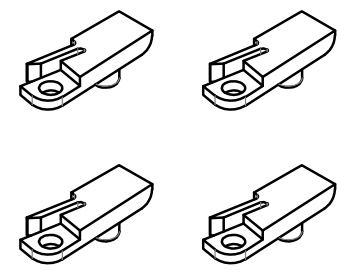
DS-CE-95
95° Deseo hinge



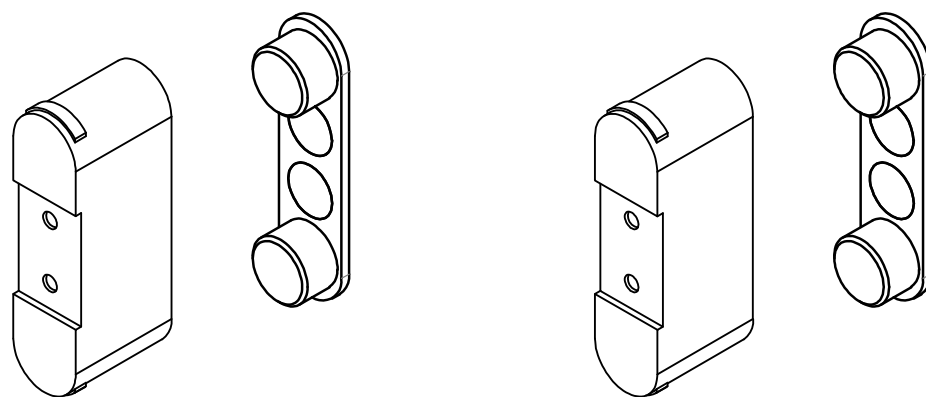
Hinge base



Decelerator (Blue/Brown)



Stopper

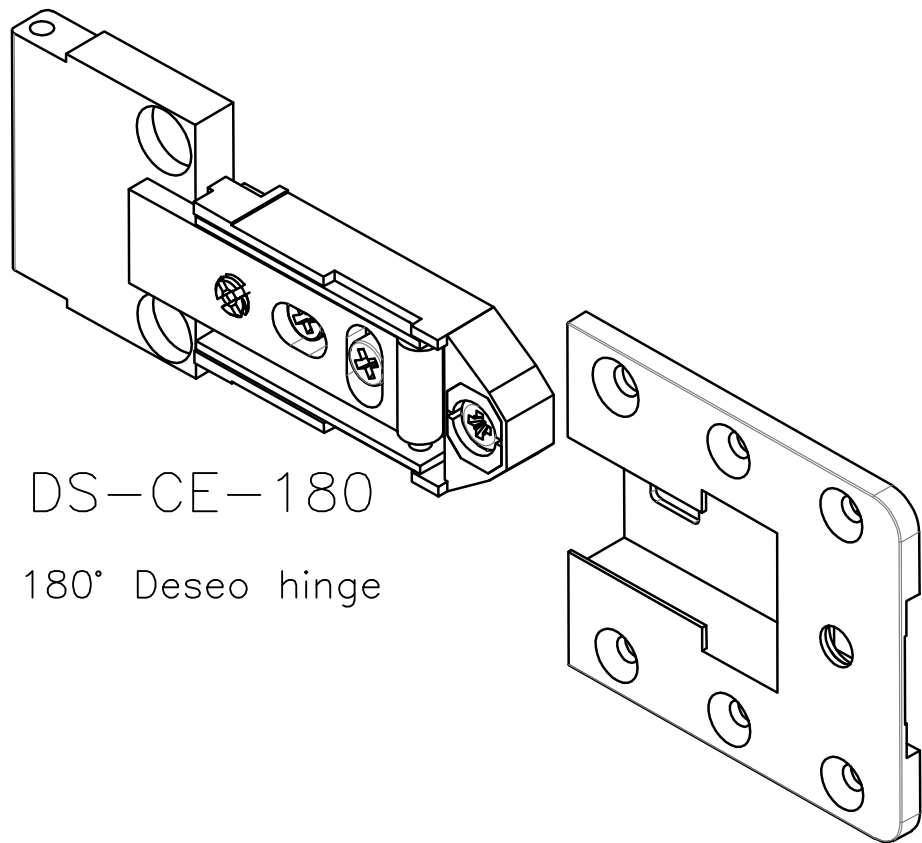


PC-TA-CERN-95-DS

Decelerator holder for 95° deseos hinge

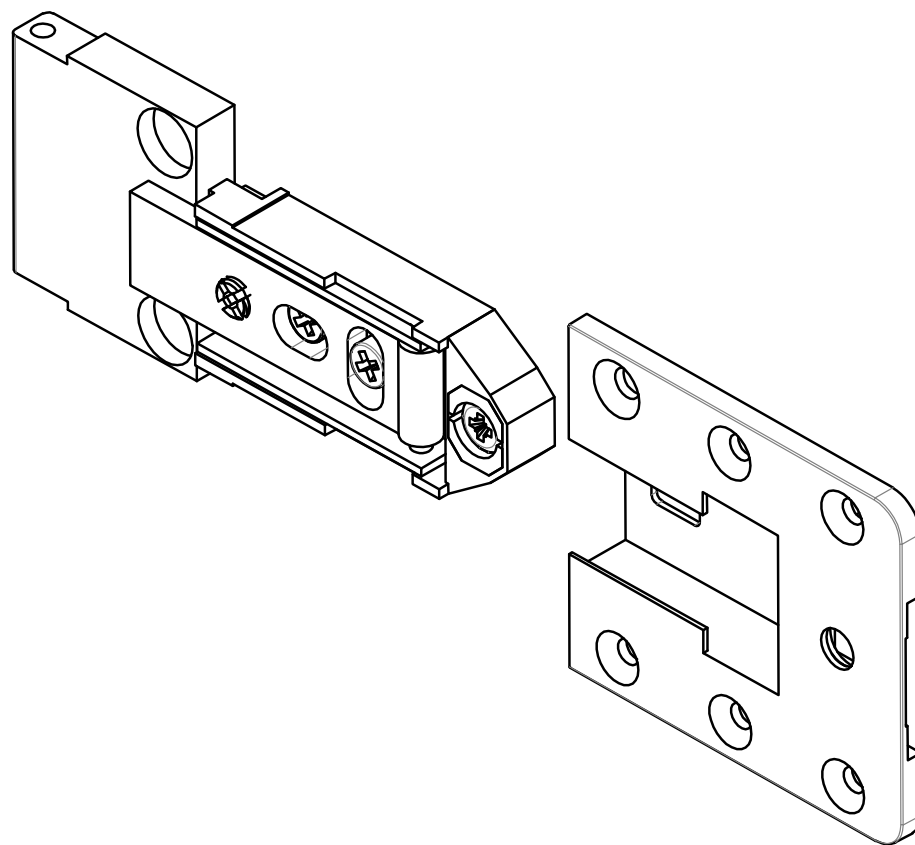
DS-KIT-CE-180

180° Deseo hinge KIT



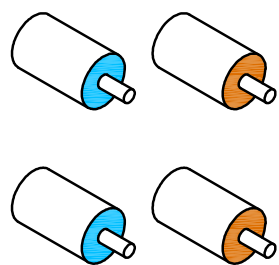
DS-CE-180

180° Deseo hinge

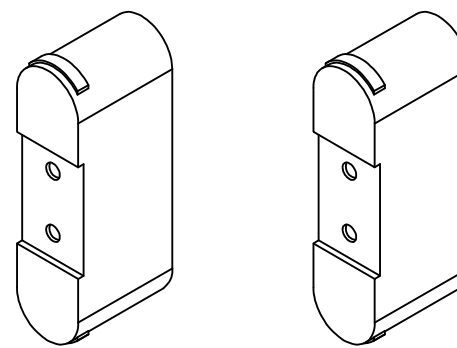


SCA-CER-DS-ZAMA

Hinge base



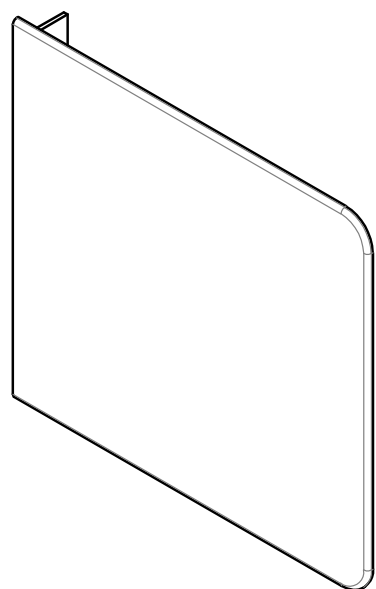
Deceleratore
Decelerator (Blue/Brown)



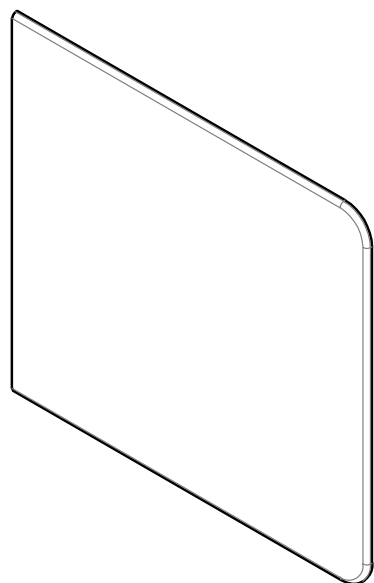
PC-TA-CERN-180-DS

Decelerator holder for 180° deseo hinge

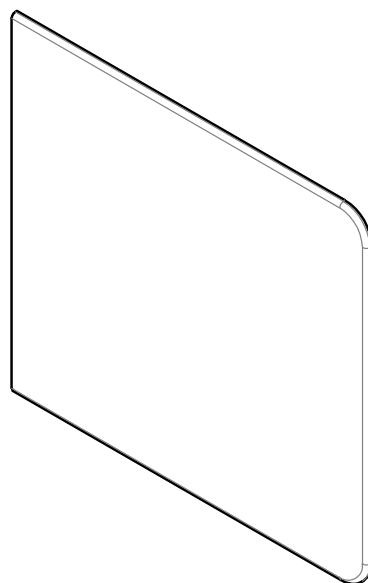
over for wood panel (raw or finish on request)



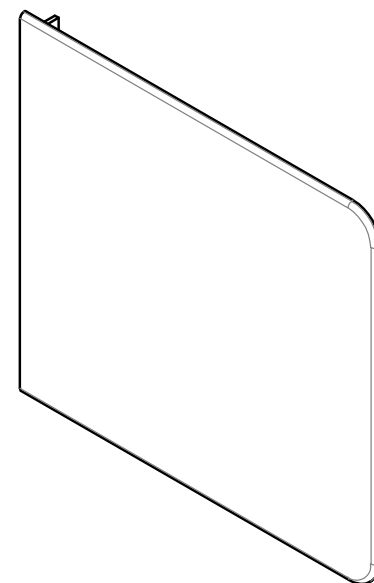
DS-MO-18



DS-MO-25



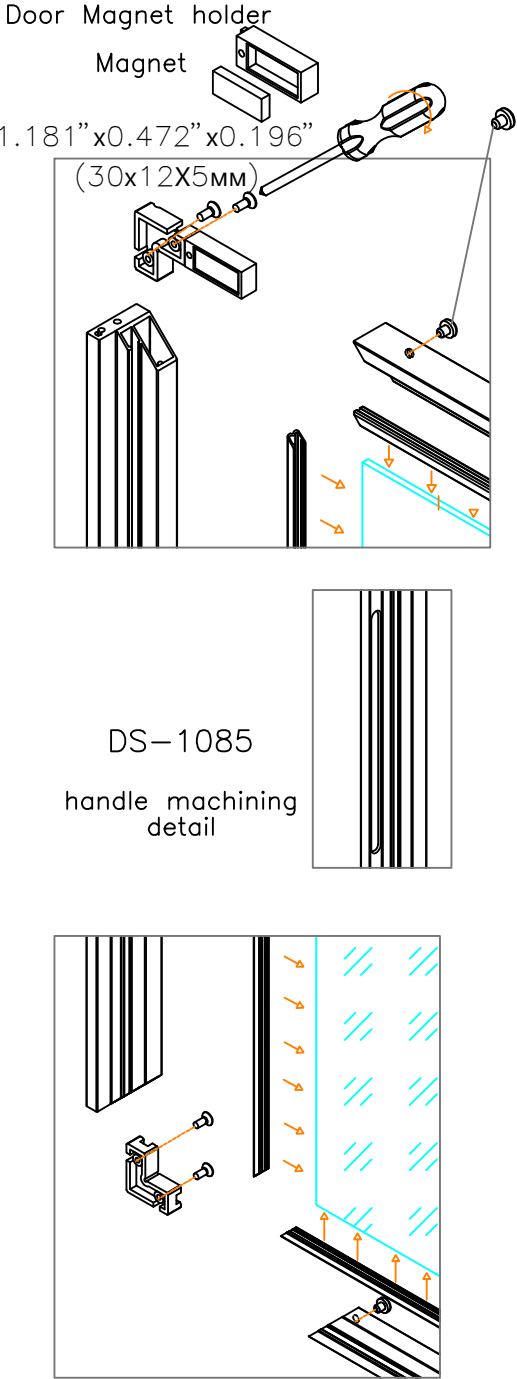
DS-MO-28



DS-MO-30

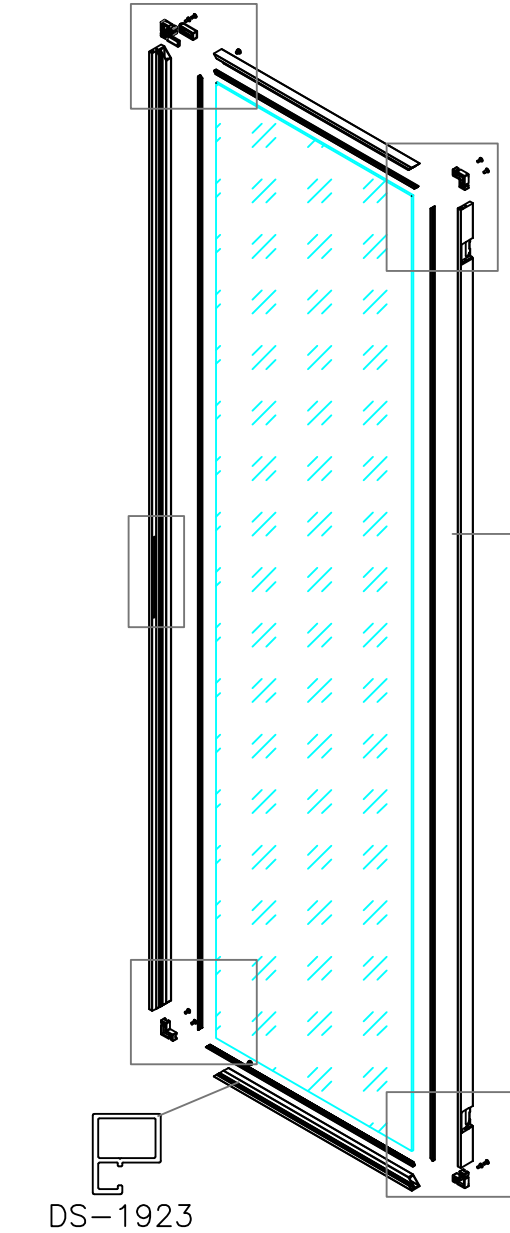
PC-ANT-DS

Assembling instruction: 95° Deseo door

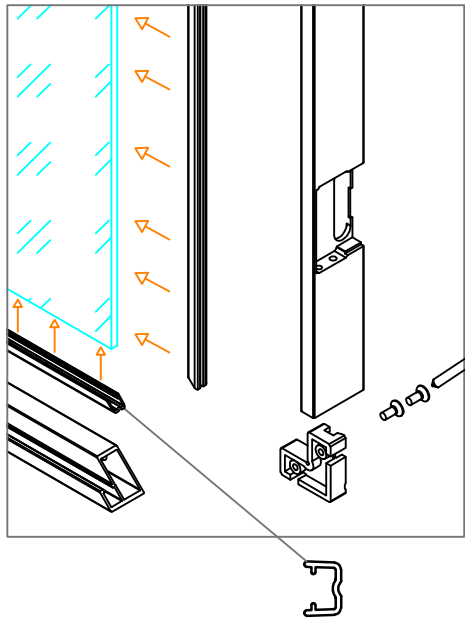
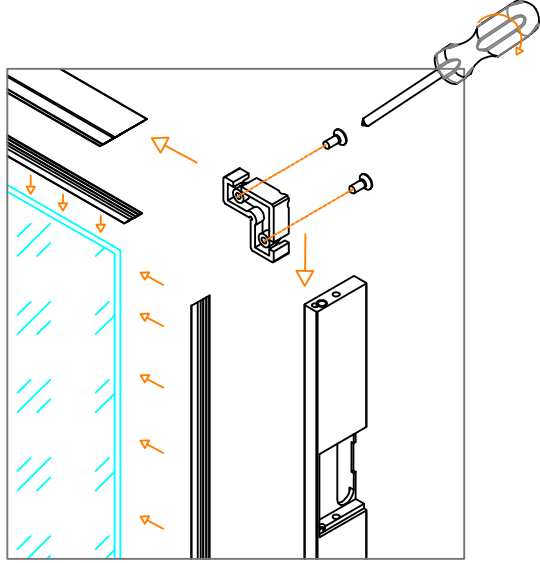


DS-PA-NERO

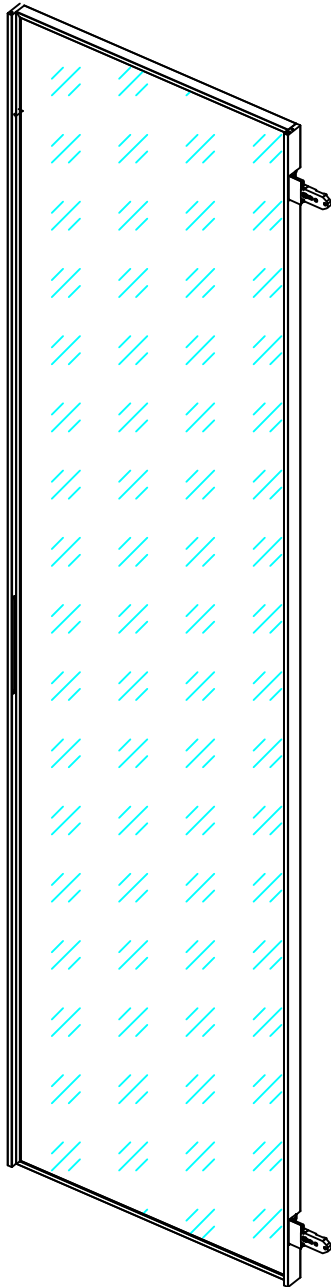
Door stop



Upper and lower
Horizontal profile



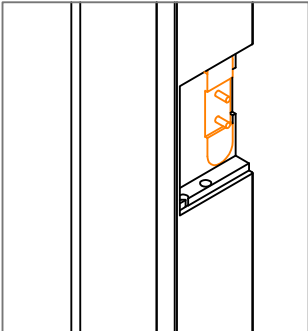
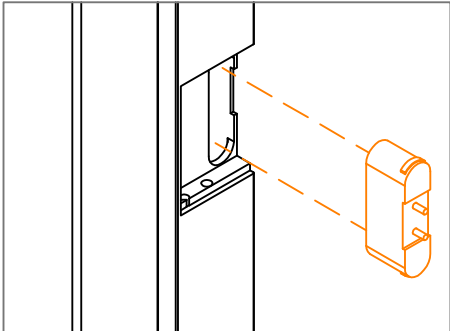
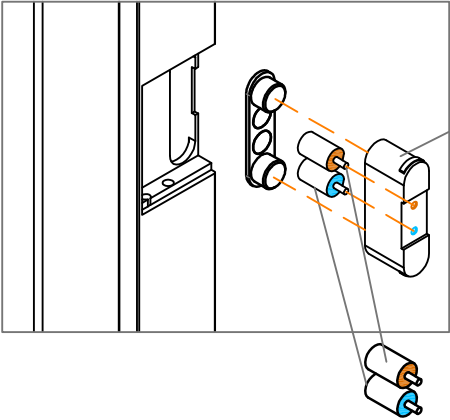
Gasket for 0.157" (4mm) glass



Assembling 95° Deseo hinge

PC-TA-CERN-95-DS

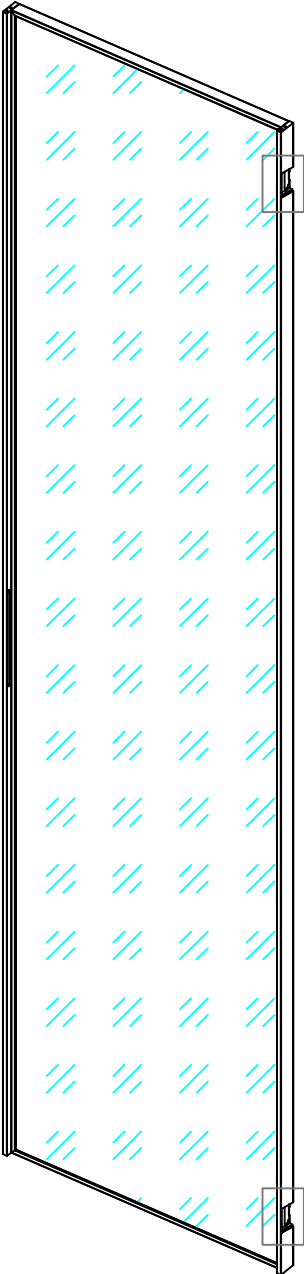
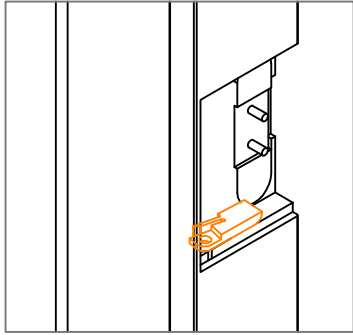
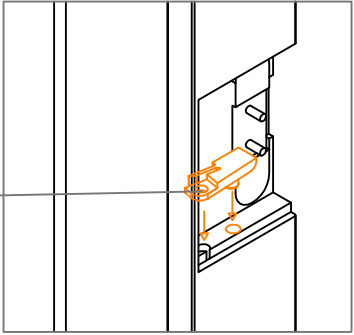
Decelerator holder for
95° deseo hinge



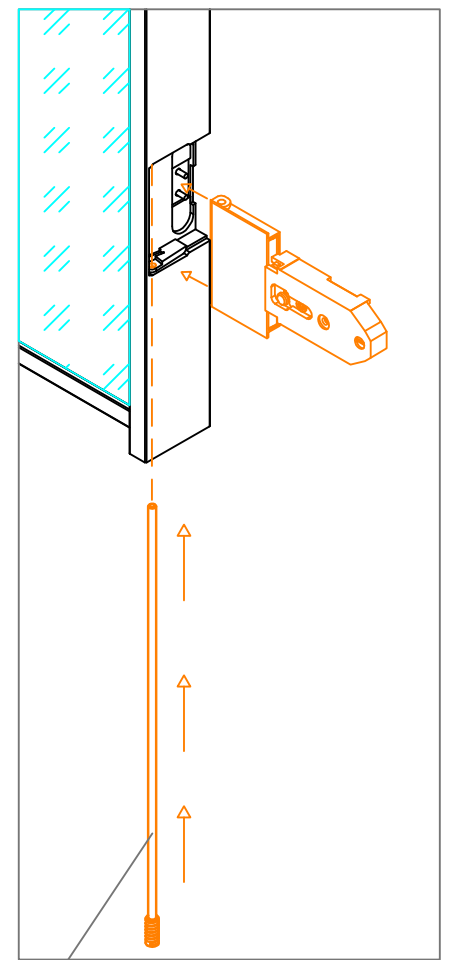
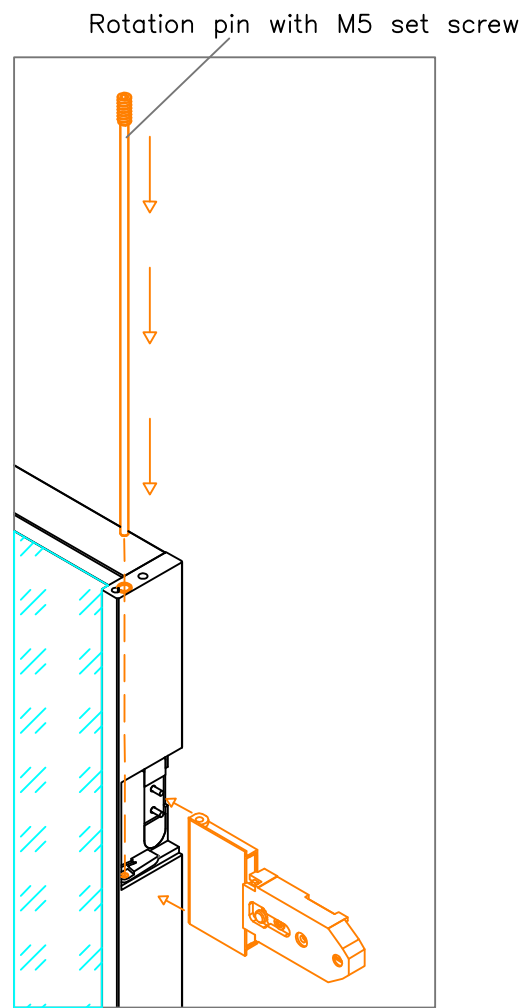
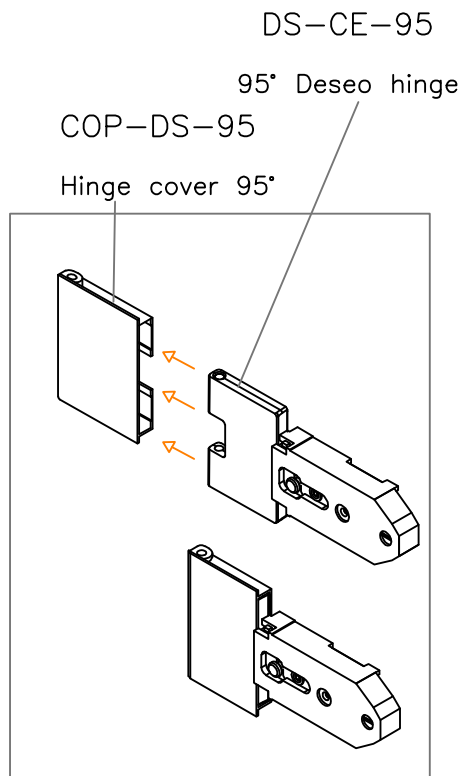
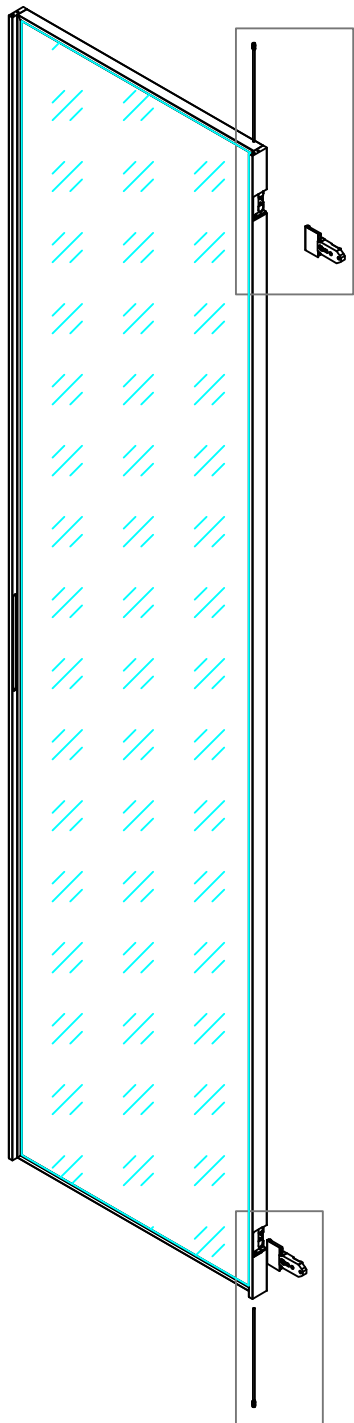
Decelerator (Blue/Brown)



Stopper

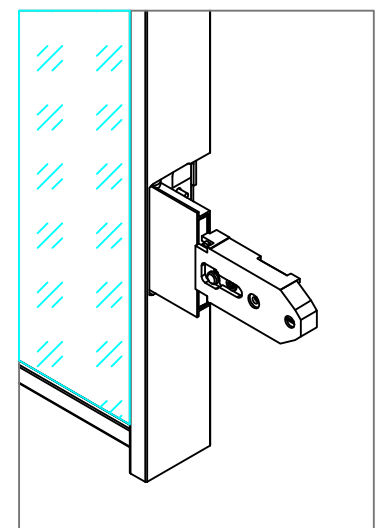
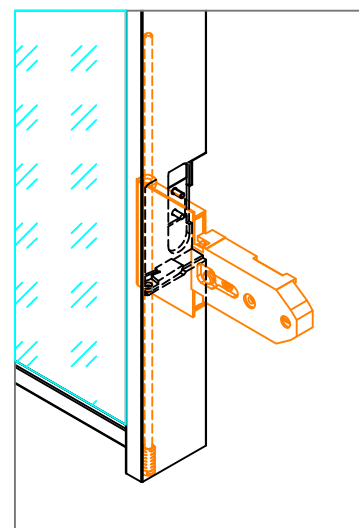
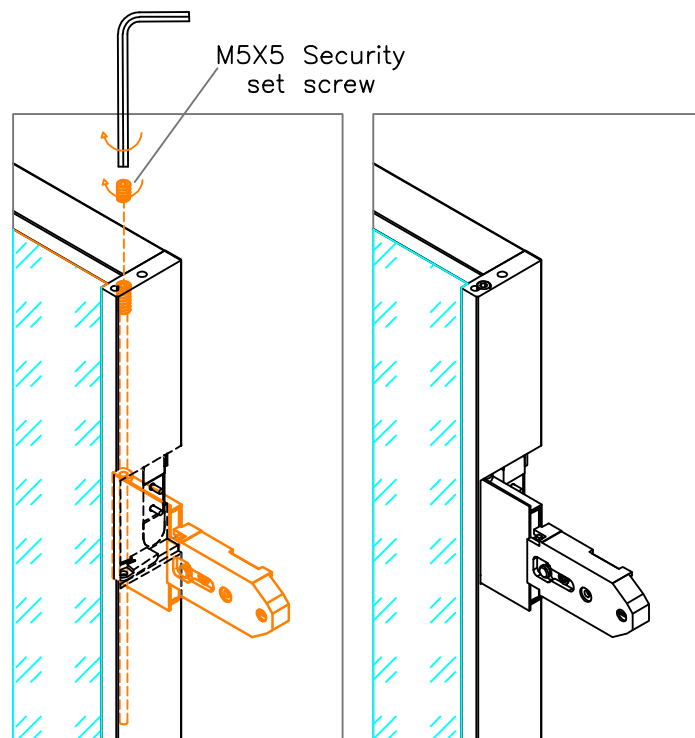
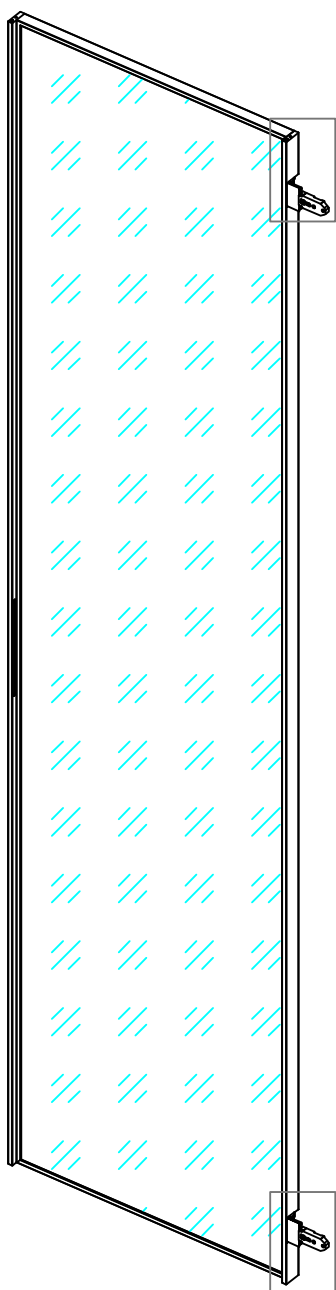


DS-PERNO-ROT

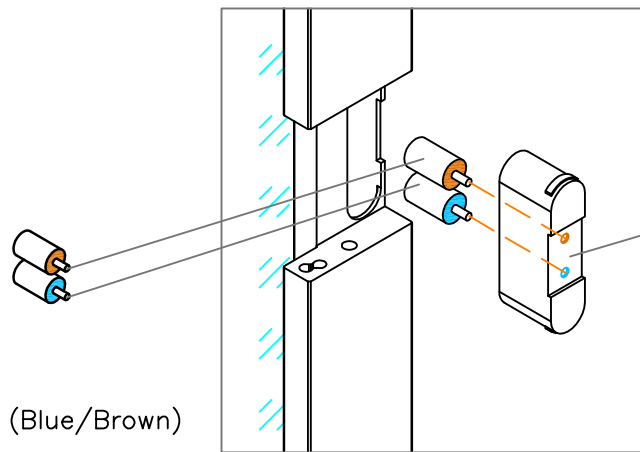


DS-PERNO-ROT

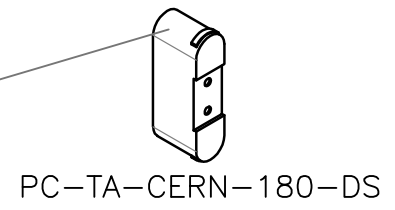
Rotation pin with M5 set screw



Assembling 180° Deseo hinge

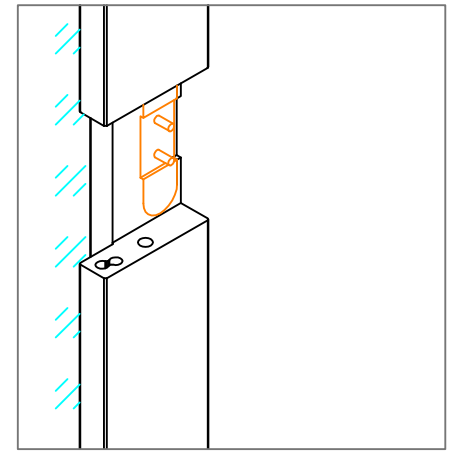
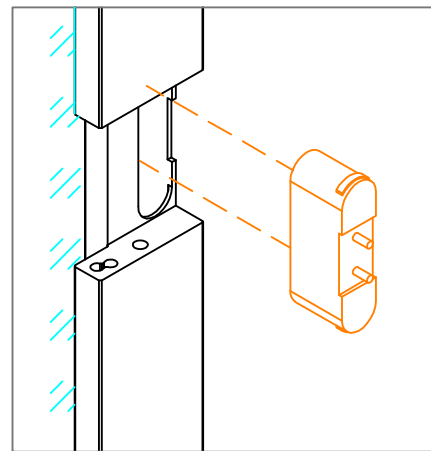


Decelerator (Blue/Brown)



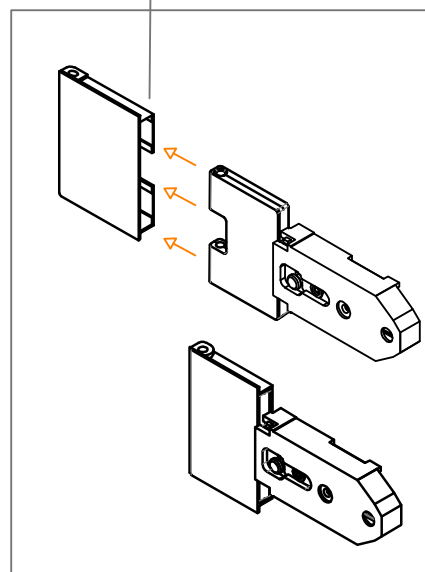
PC-TA-CERN-180-DS

decelerator holder for 180° deseo hinge



COP-DS-180

180° Hinge cover

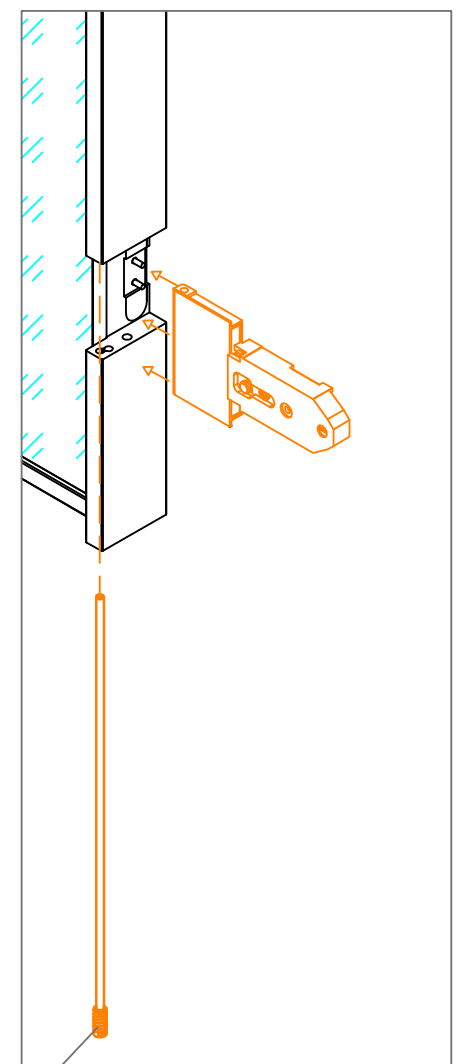
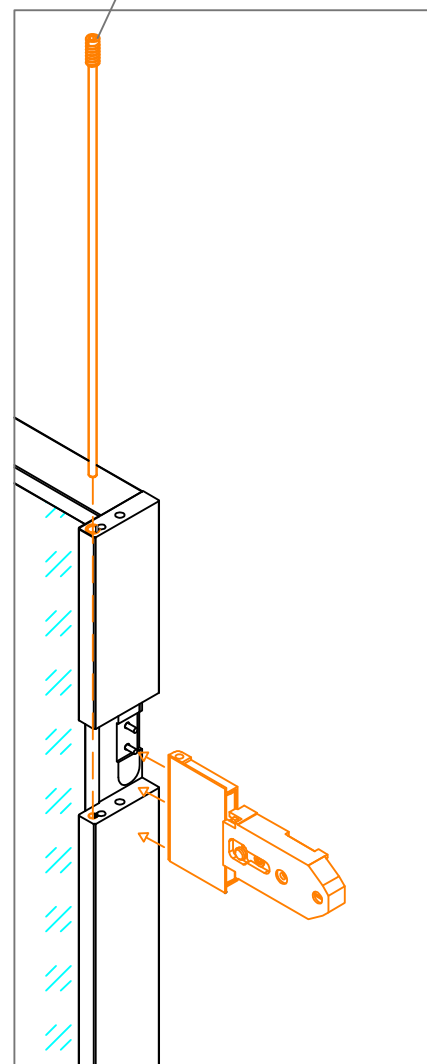


DS-CE-180

180° Deseo hinge

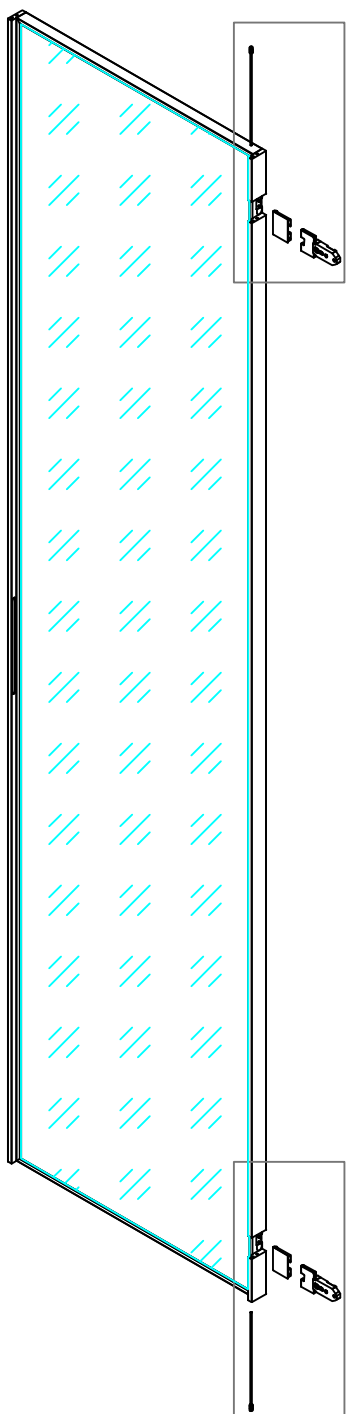
DS-PERNO-ROT

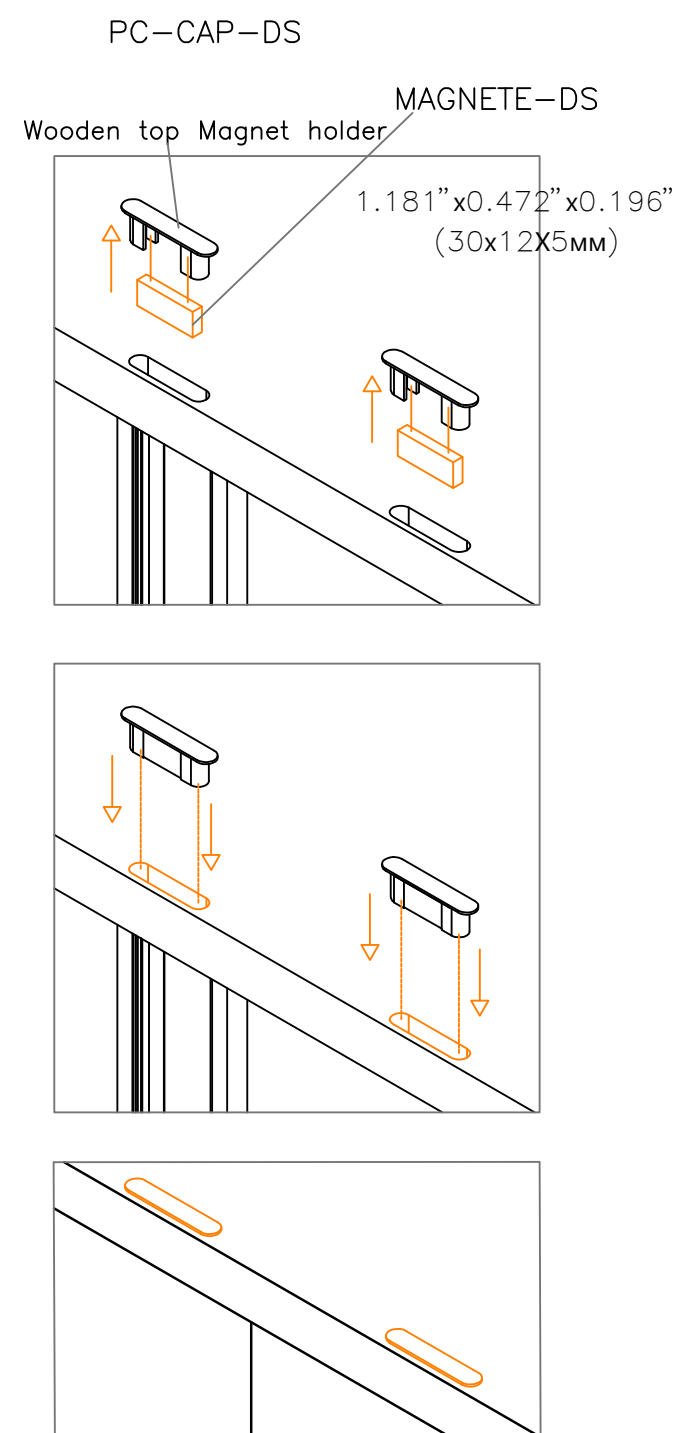
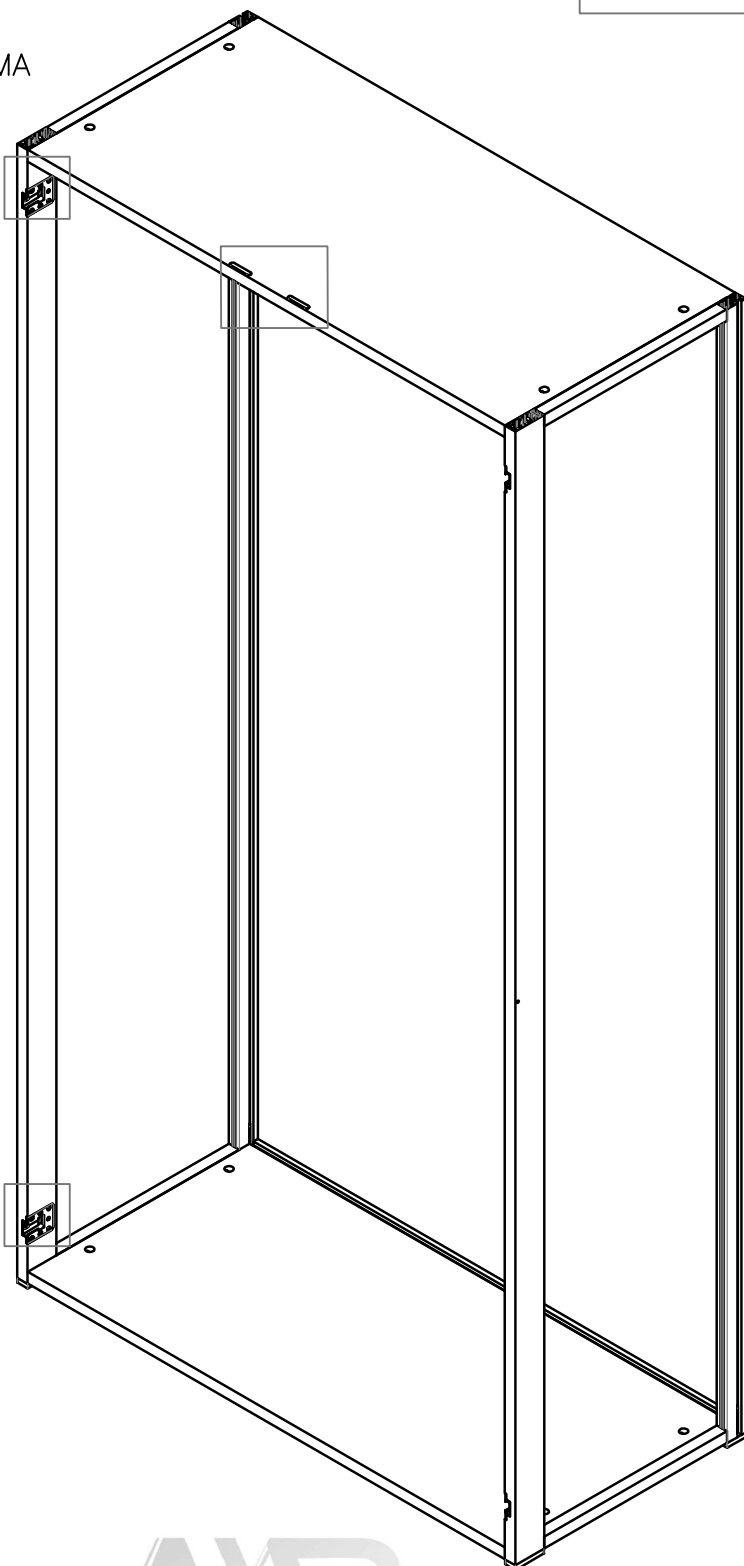
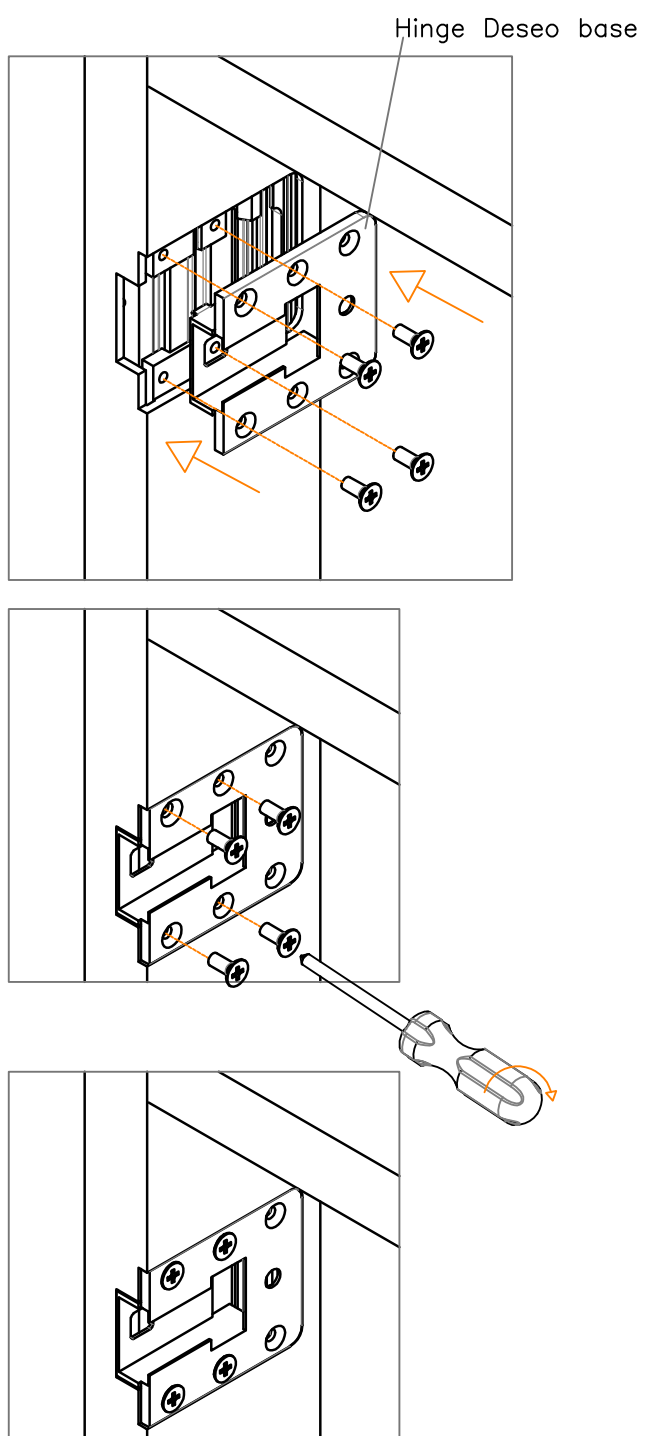
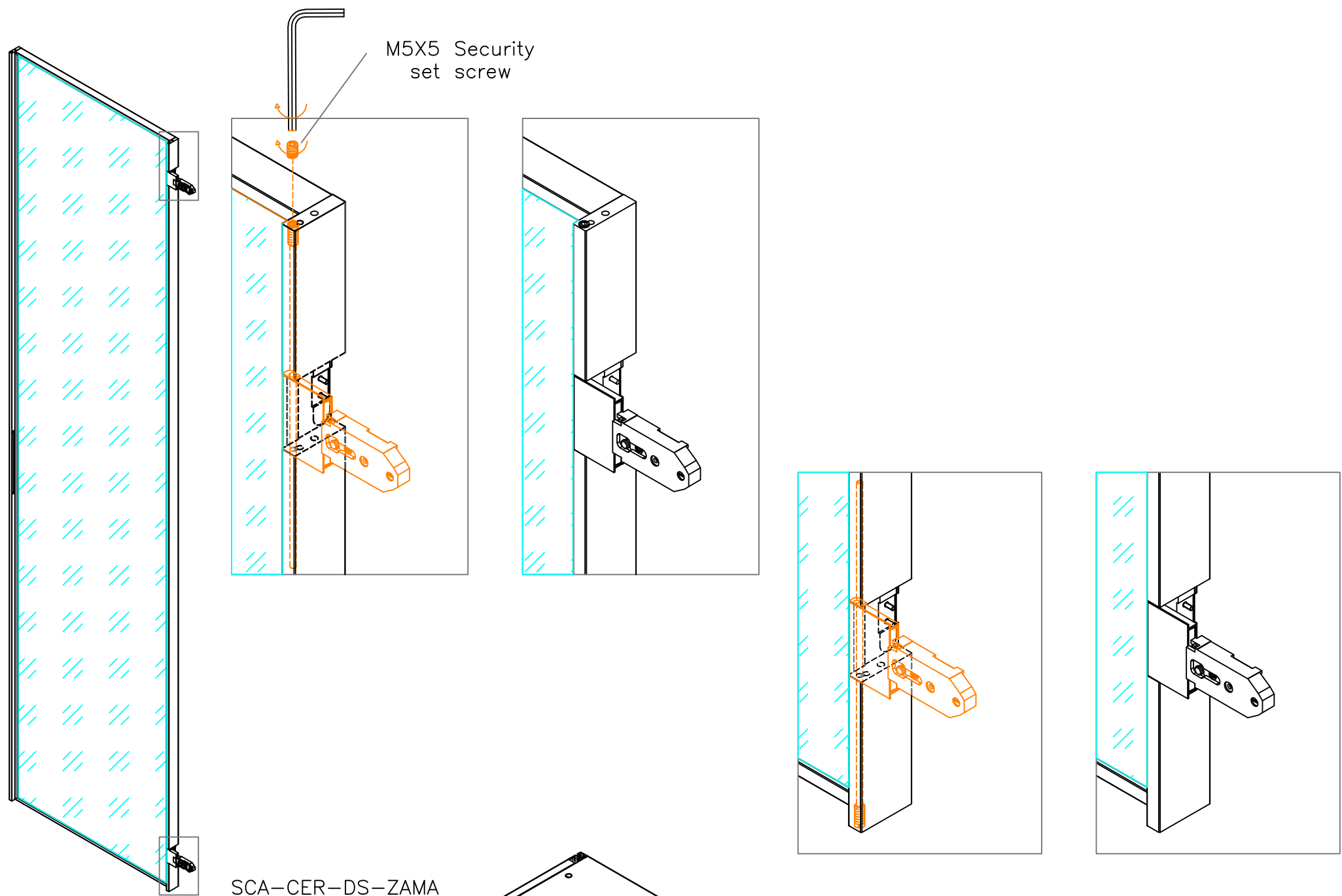
Rotation pin with M5 set screw

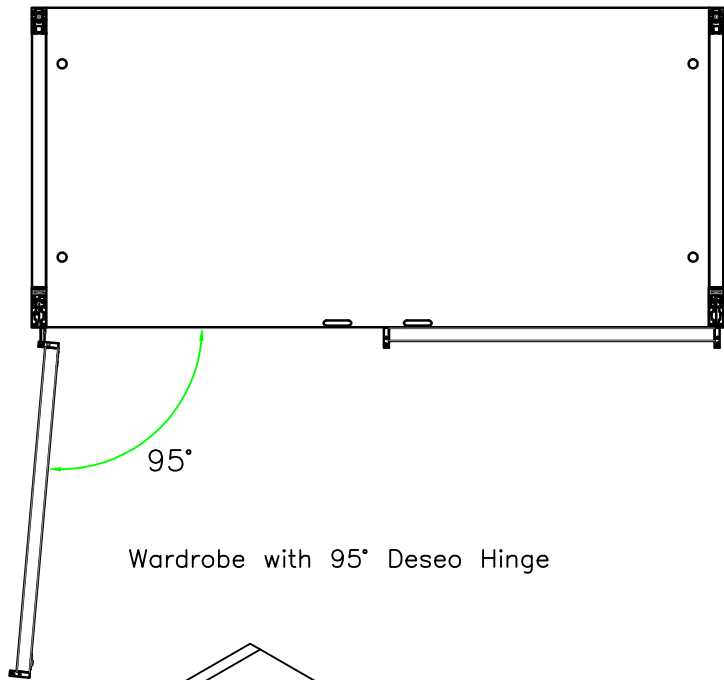


DS-PERNO-ROT

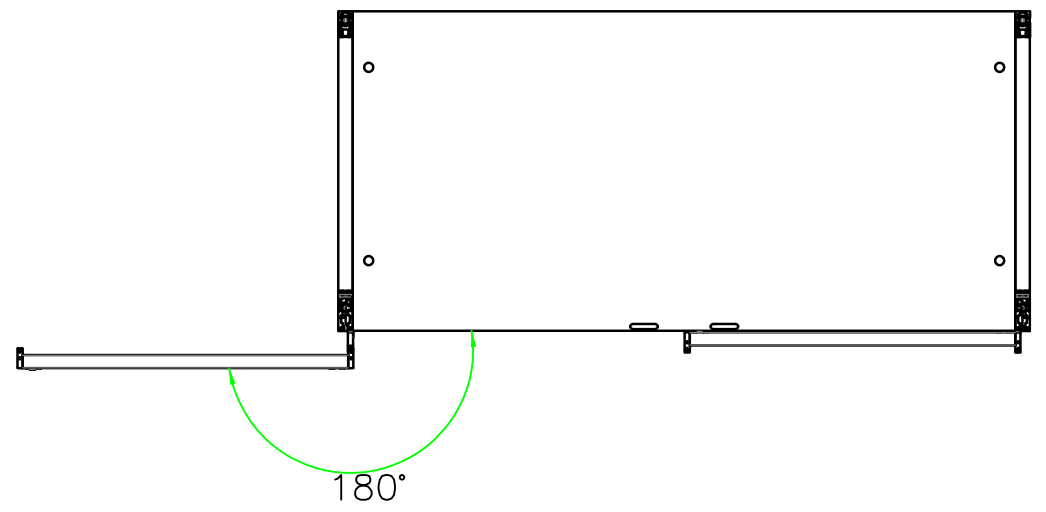
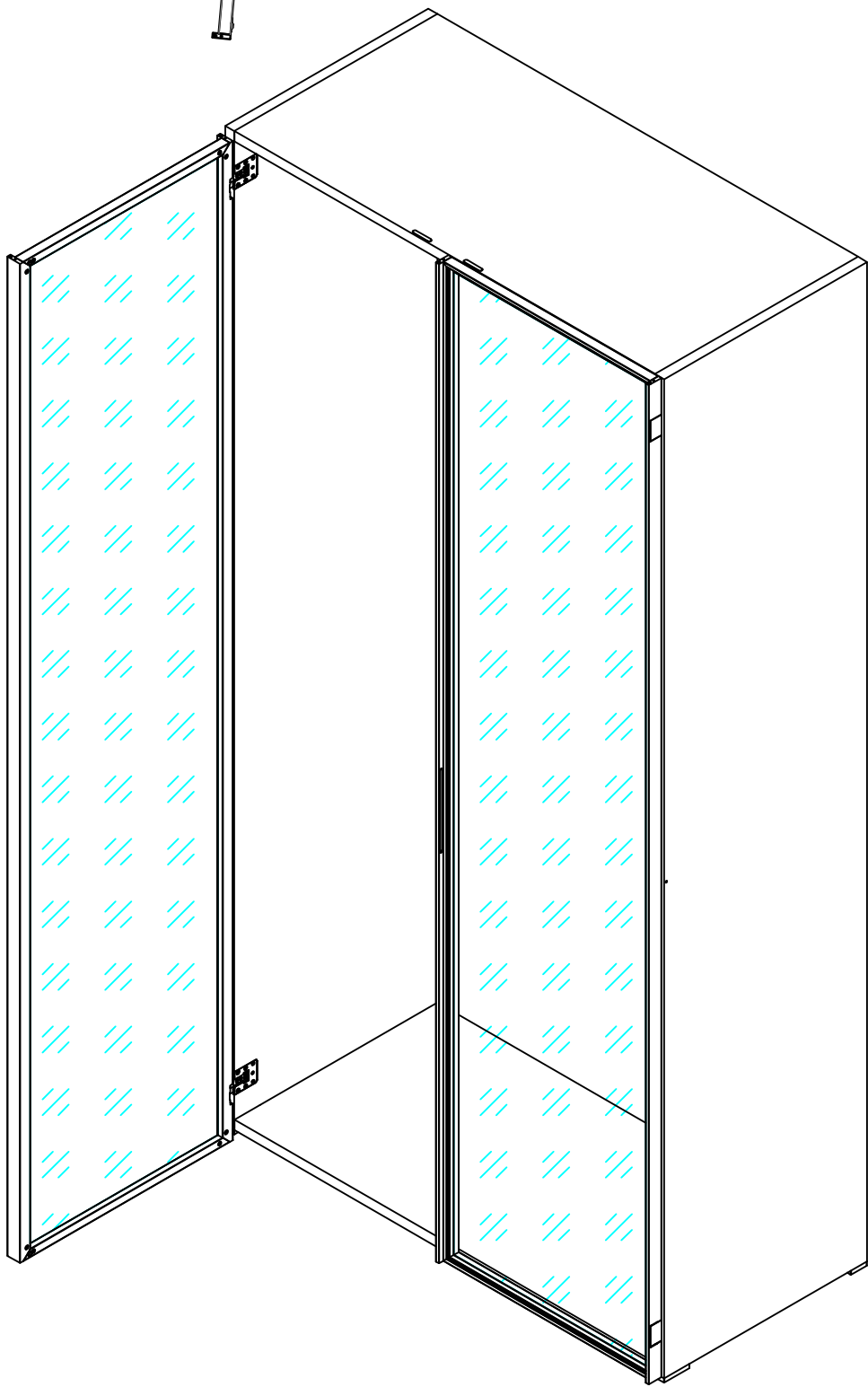
Rotation pin with M5 set screw



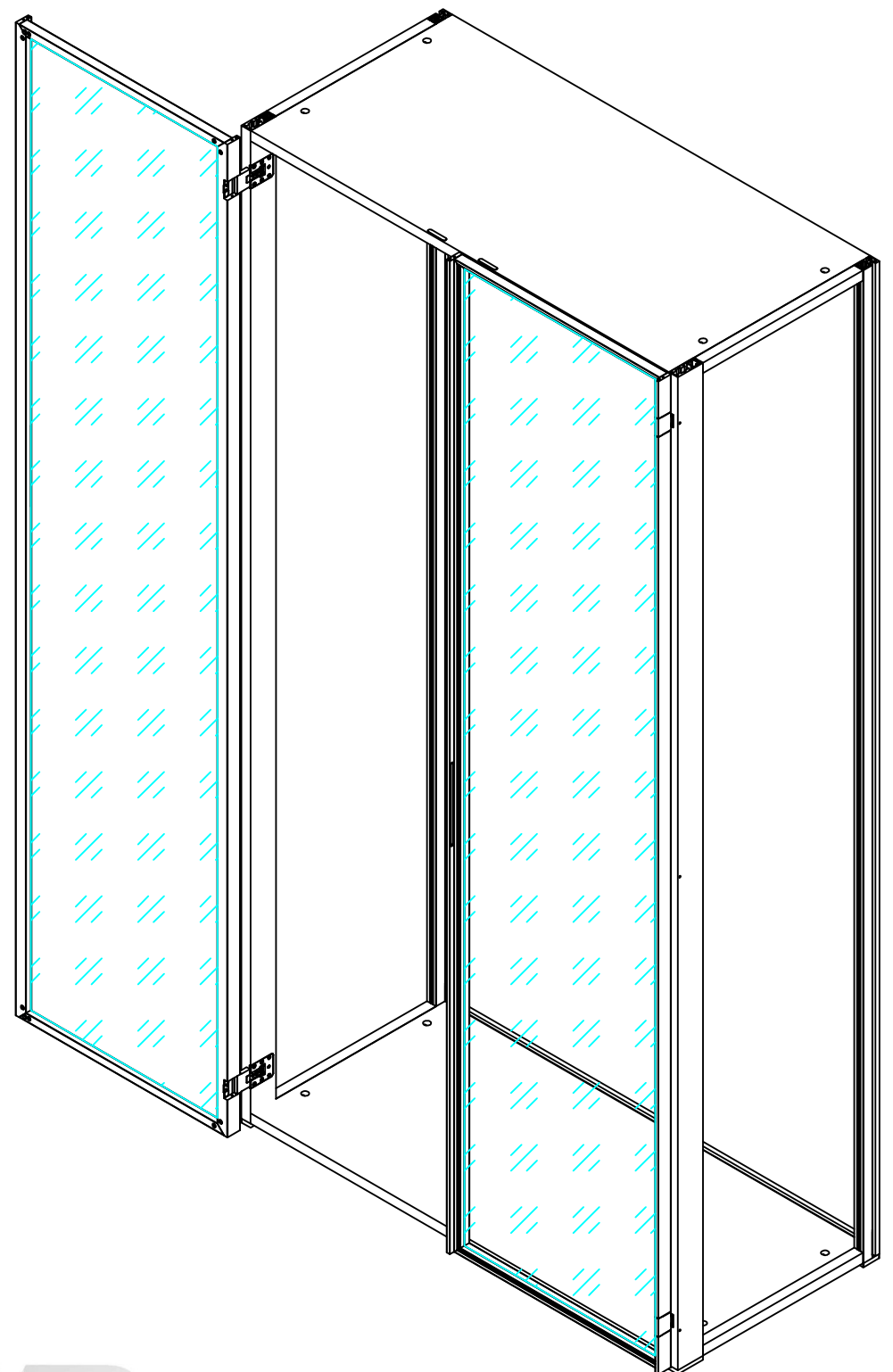


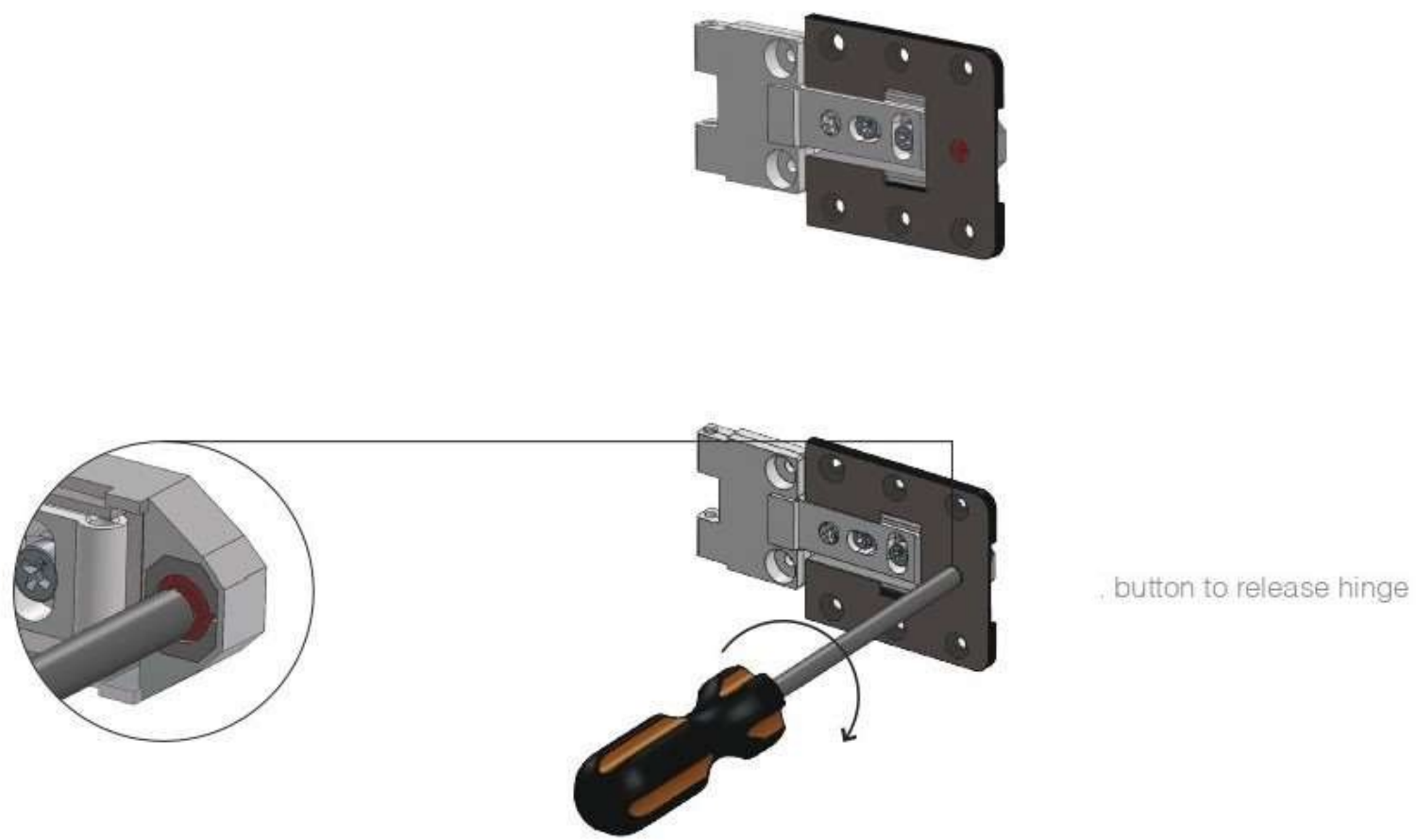
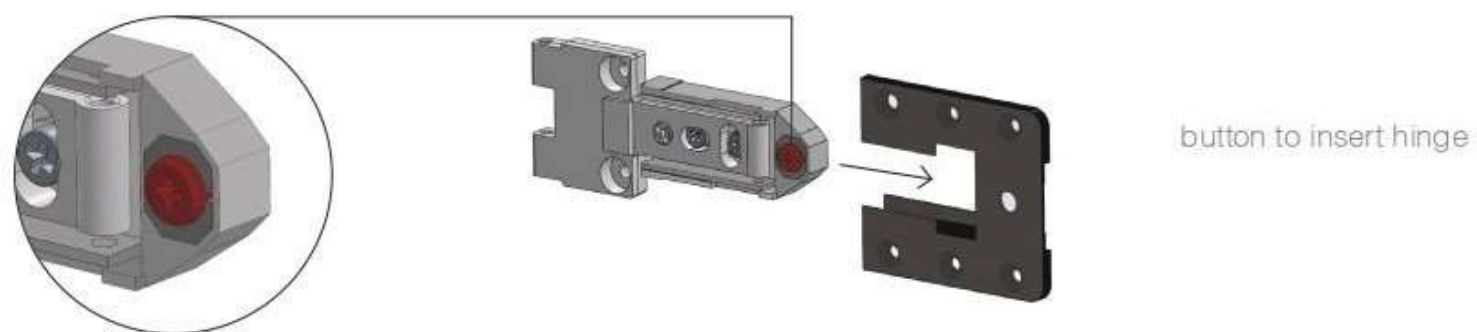
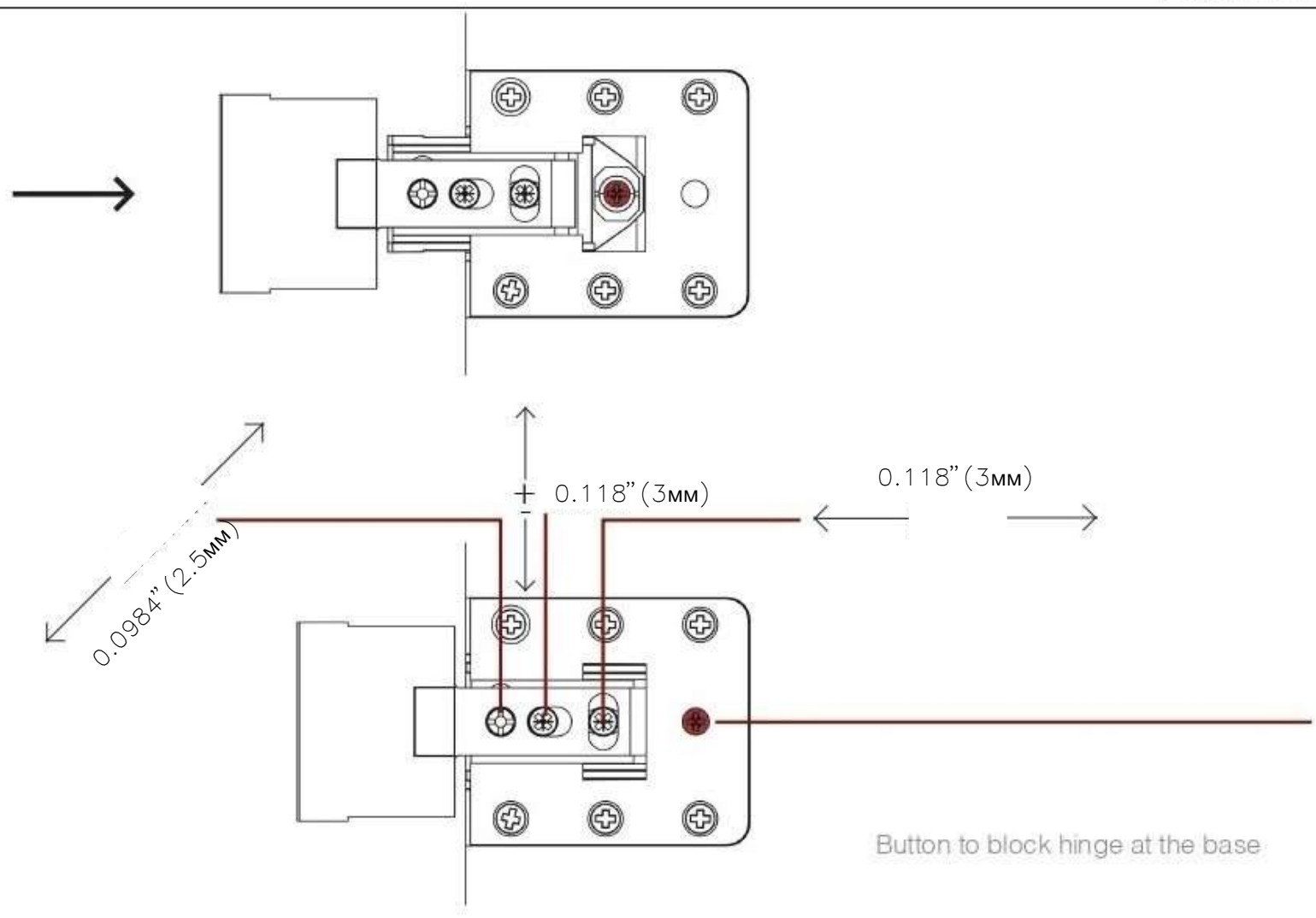


Wardrobe with 95° Deseo Hinge

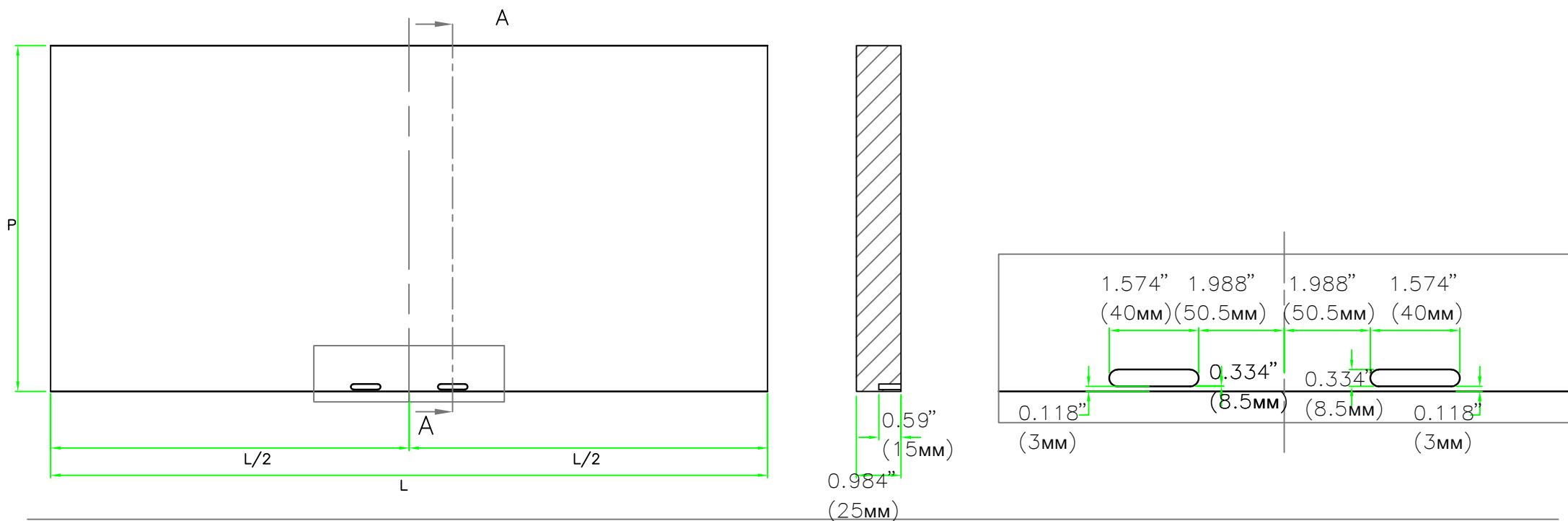


Wardrobe with 180° Deseo Hinge

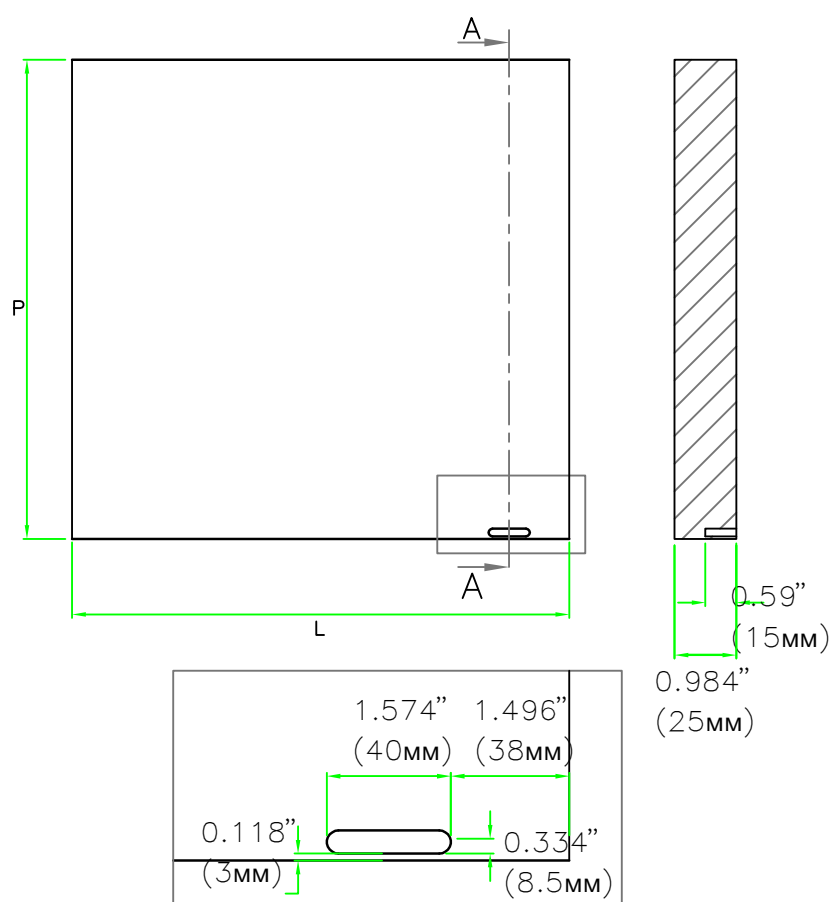




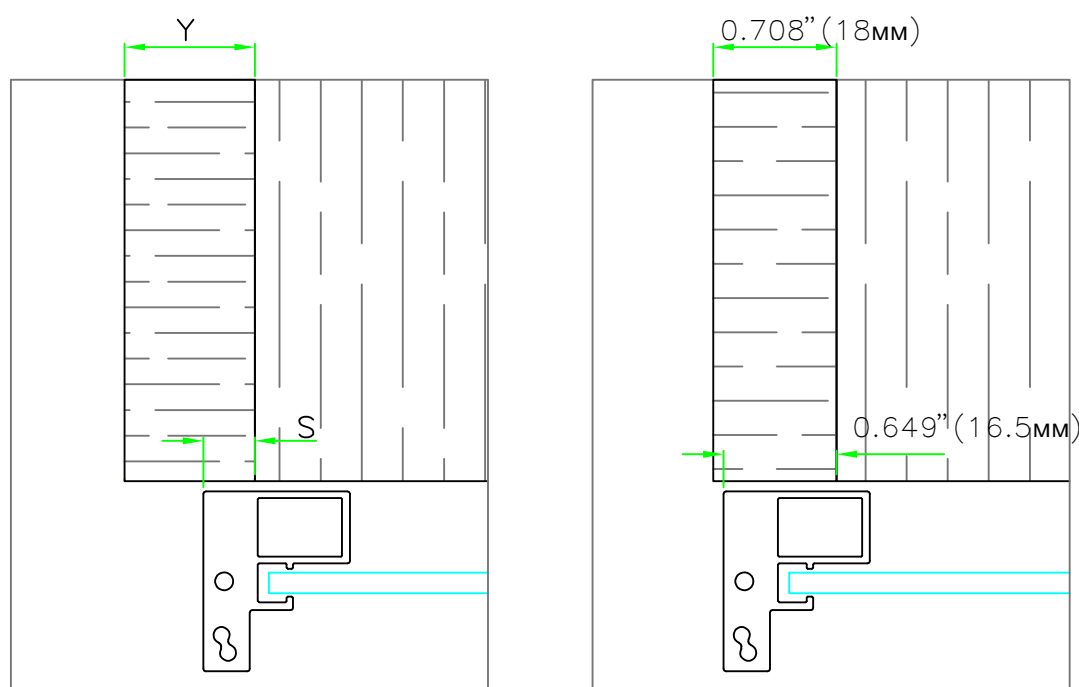
Wooden top workings to insert magnet double door



Wooden top workings to insert magnet single door

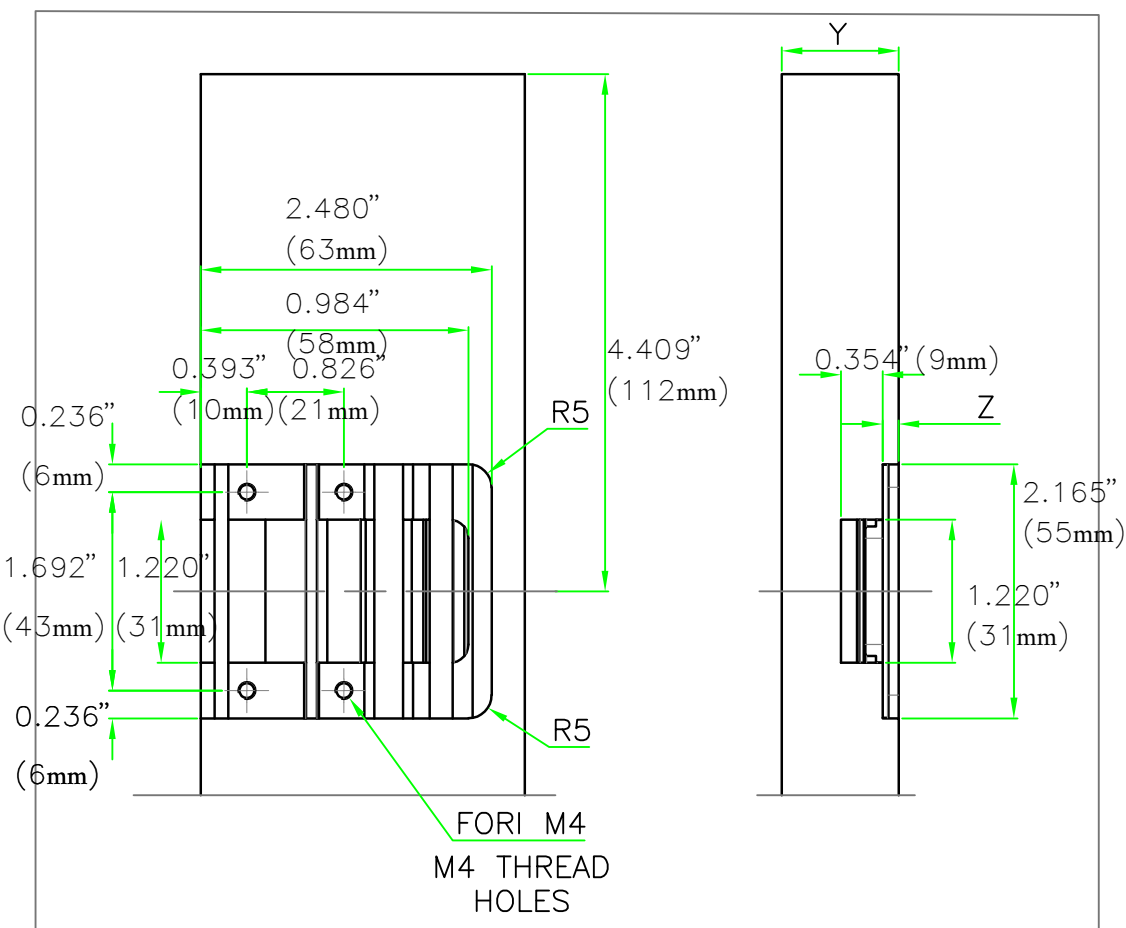


Deseo door Technical data



door overlap
 $s = (Y / 2) - 2.5$

Only for 0.708" (18mm) thick
 Wooden side single door



Vertical profiles OL-2570 and OL-2570L
 Wooden side thickness:
 0.708" / 0.984" / 1.102" / 1.181"
 (18mm / 25mm / 28mm / 30mm)

Side thickness				
Y	0.708"	0.984"	1.102"	1.181"
Z	0.354"	0.118"	0.196"	0.236"

Side thickness				
Y	18	25	28	30
Z	9	3.5	5	6



