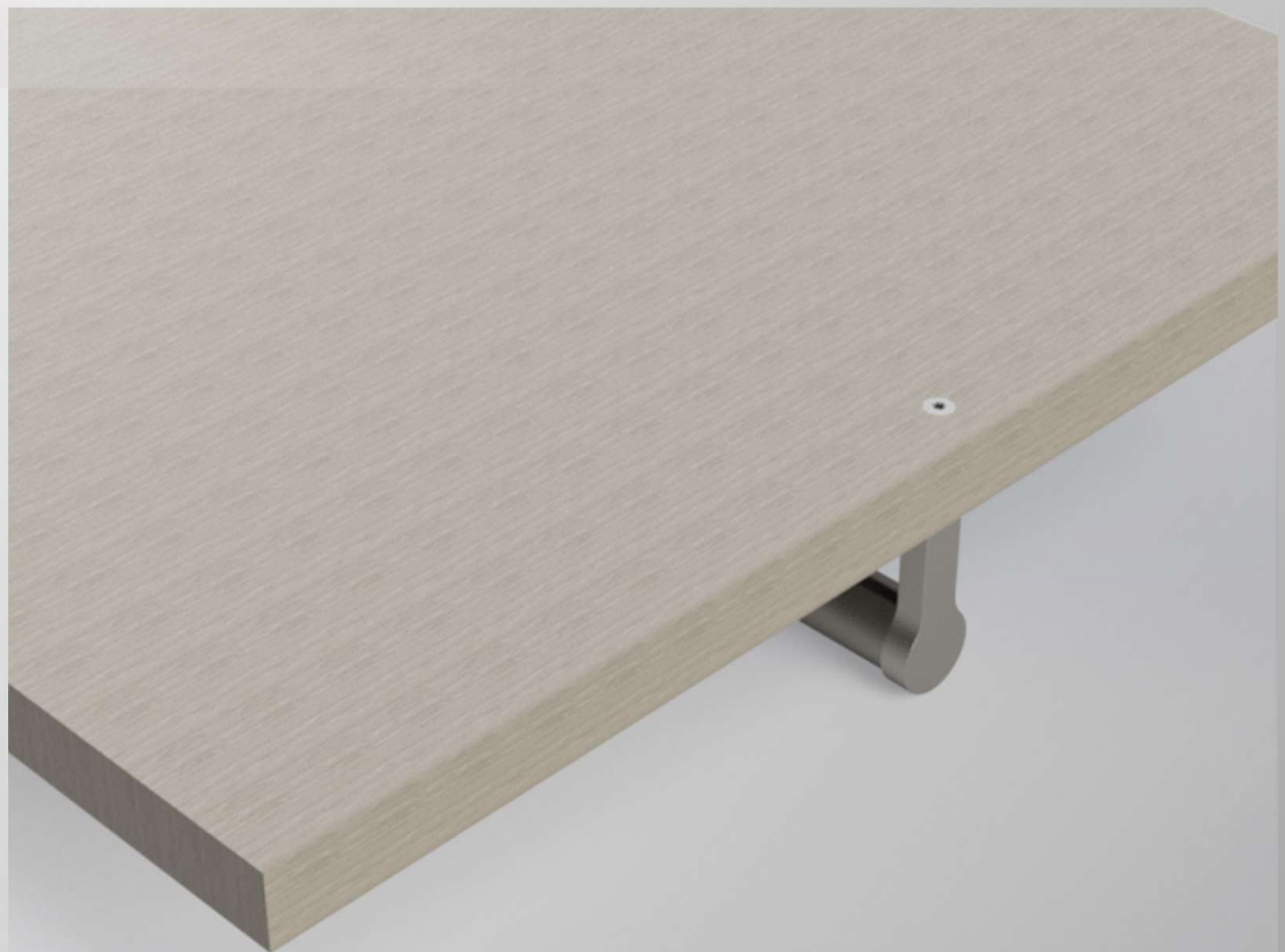
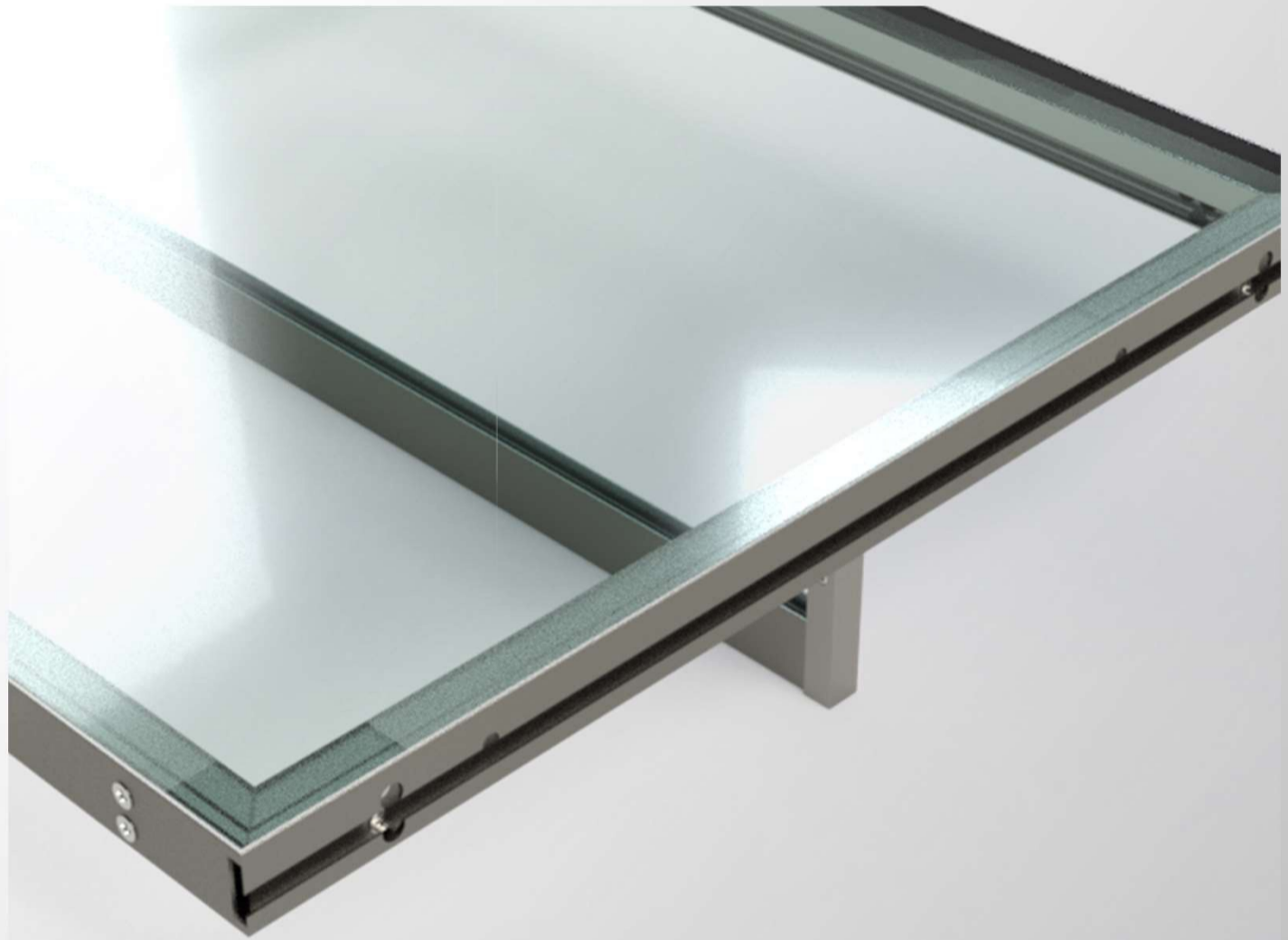
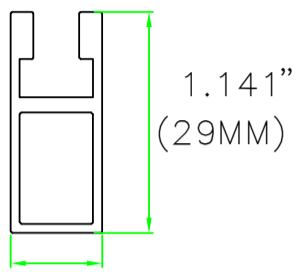


Clothes Hanger



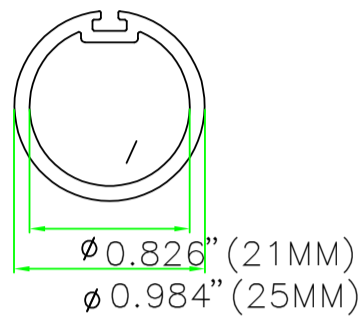
Clothes hanger profiles and assembling instructions

Square clothes hanger profile



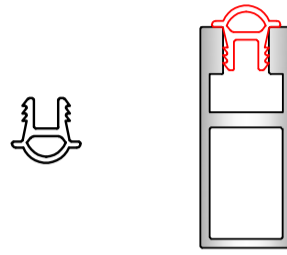
PR-2912

Round clothes hanger profile

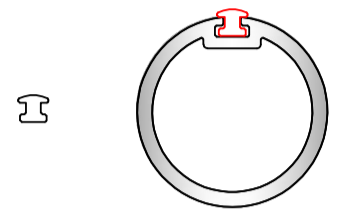


G-2912

Square clothes hanger Gasket



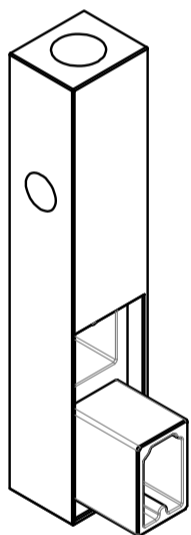
Round clothes hanger Gasket



GU-SP

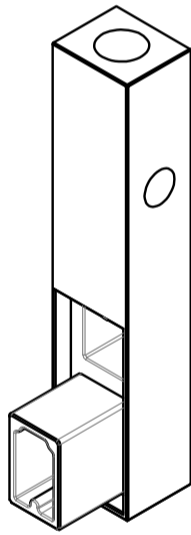
Square Support for Aluminium and wooden shelves

Right

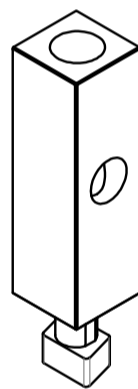


SL-2912

Left



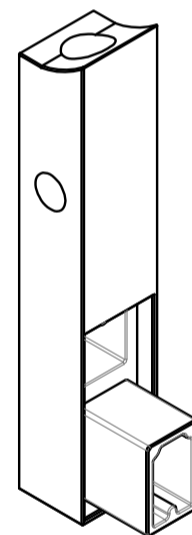
Central



SC-2912

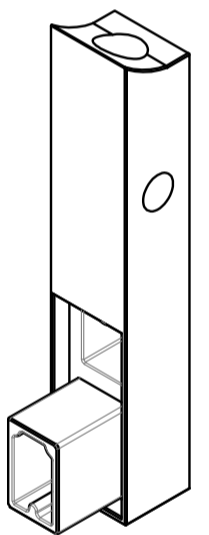
To use only for LAIT shelves H1.377" (35MM)

Right



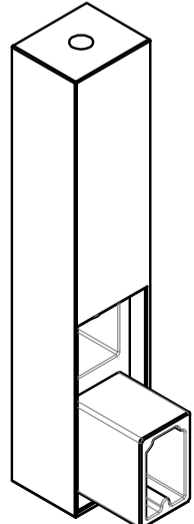
SL-2912-35

Left



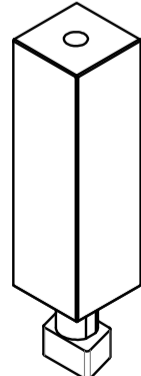
Square Support for wooden shelves

Lateral



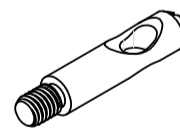
SL-2912-L

Central



SC-2912-L

Fixing accessories



Threaded dowel M6



Screw for wood (Up to the customer)

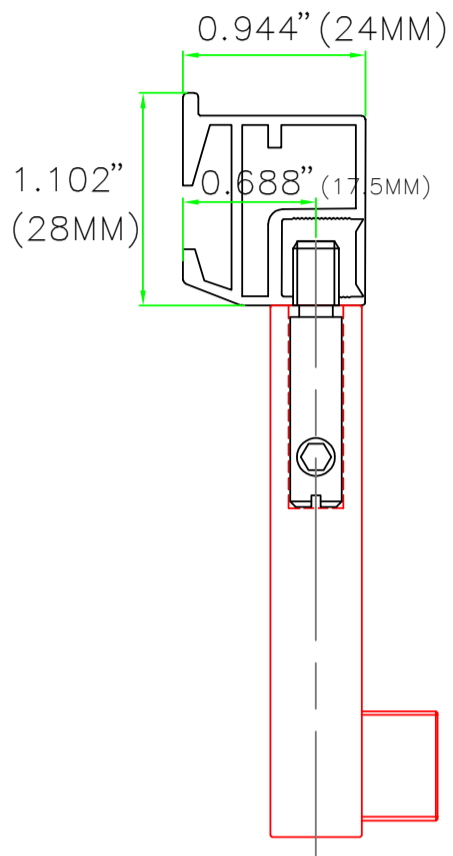


Setscrew M5

Assembly: Square Support for Aluminium LAAIT shelves (H 0.984"/1.181"/1.377")
(H25/30/35MM)

LA-2524F

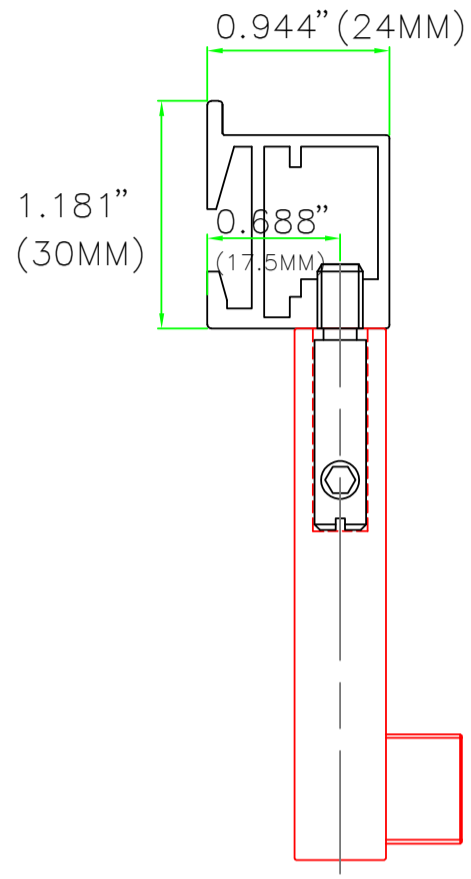
Guide profile



SL-2912

LA-1049

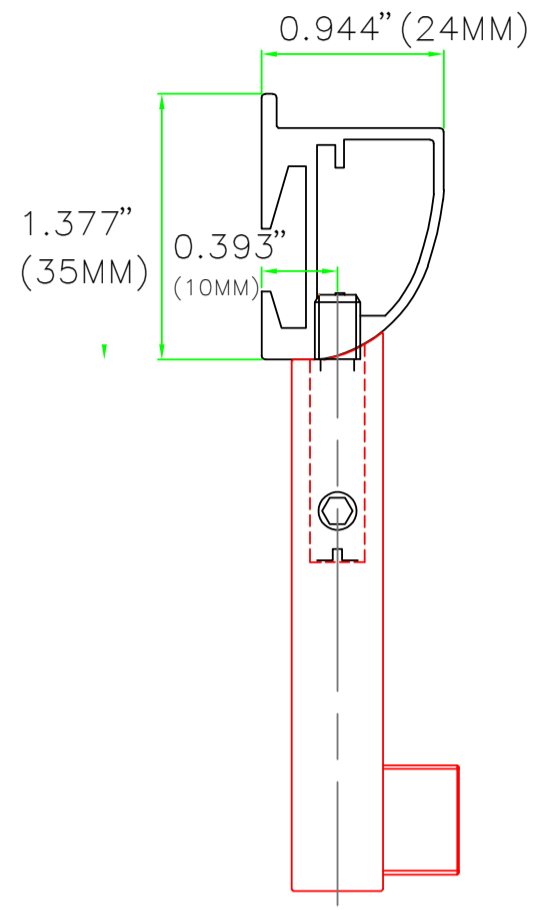
Guide profile



SL-2912

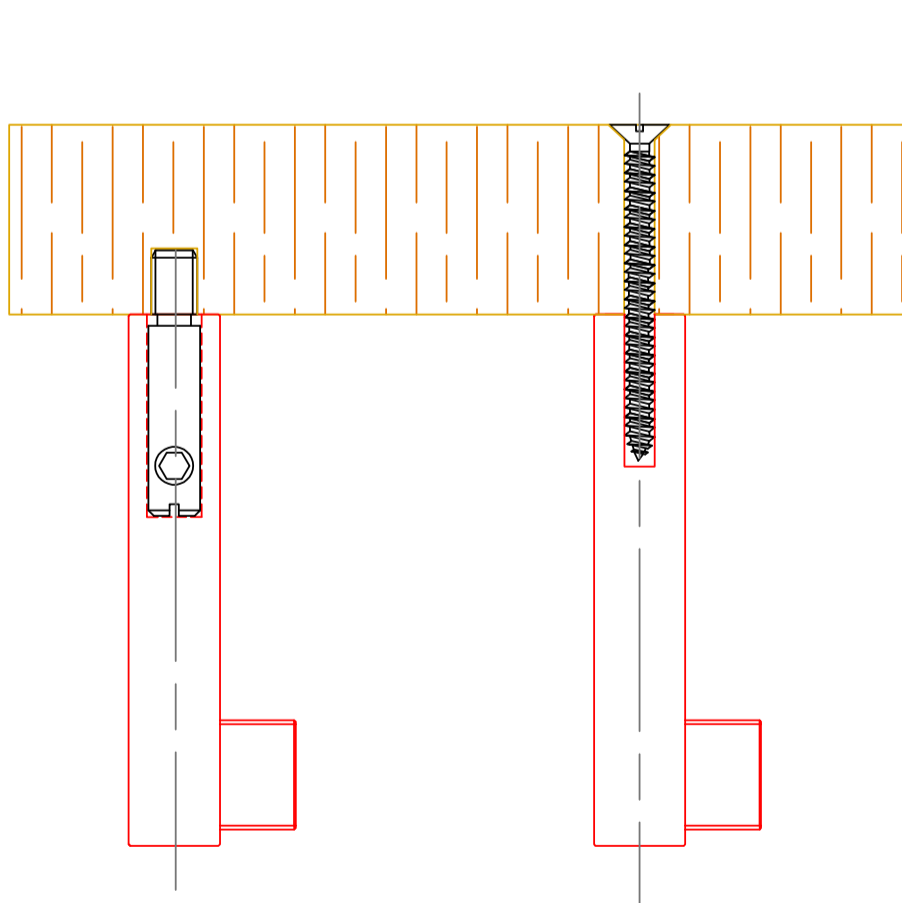
LA-3549

Guide profile

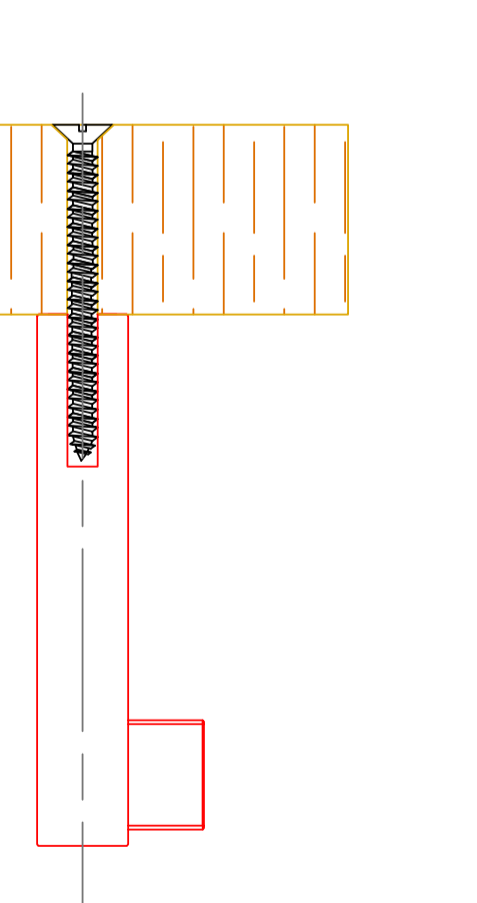


SL-2912-35

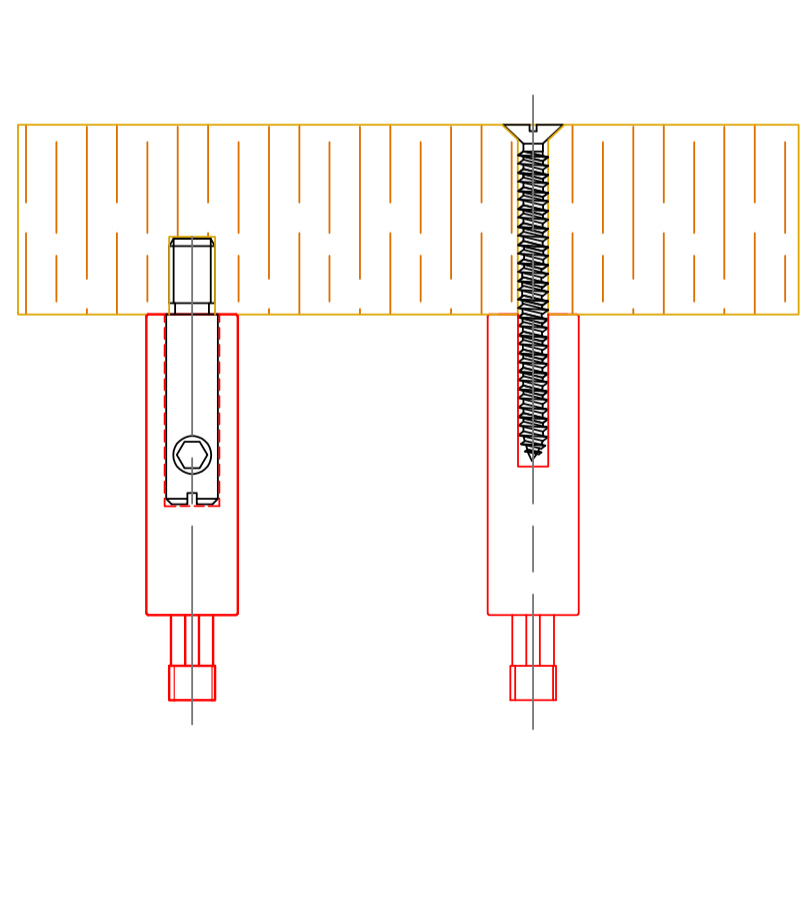
Assembly: Square support for Wooden shelves



SL-2912



SL-2912-L



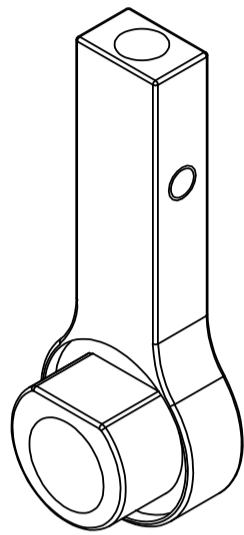
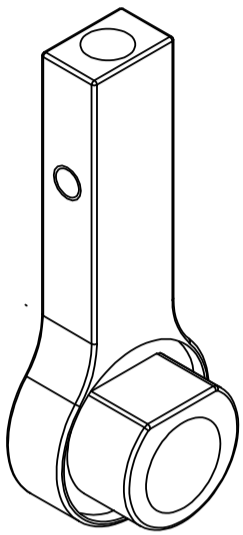
SC-2912

SC-2912-L

Round support for Aluminium and wooden shelves

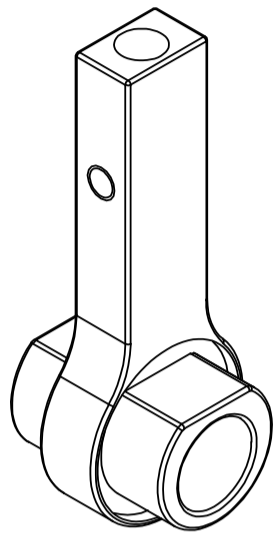
Right

Left



SL-679

Central

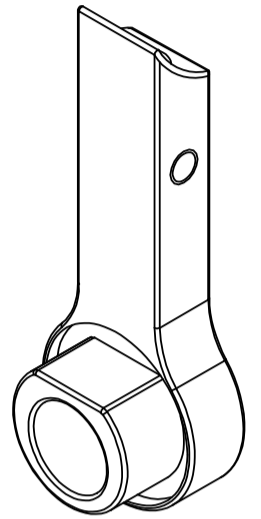
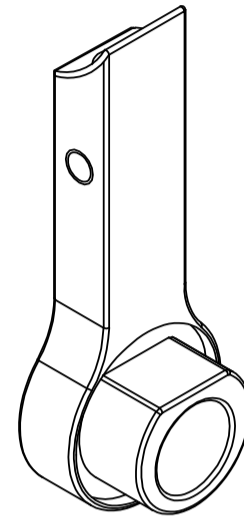


SC-679

To use only for LAIT shelves H1.377” (35MM)

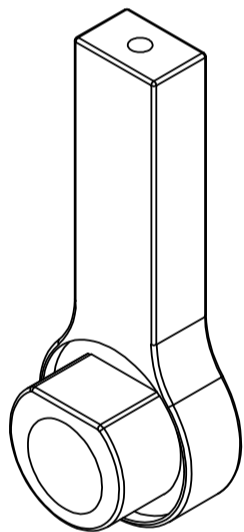
Right

Left

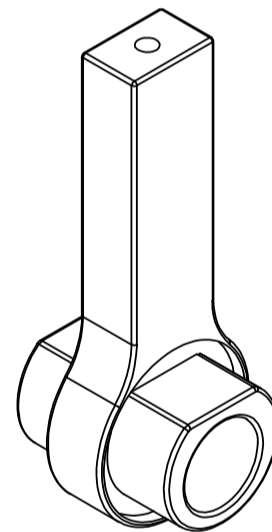


SL-679-35

Round Support for wooden shelves



SL-679-L



SC-679-L

Access
Fixing accessor



Threaded dowel M6

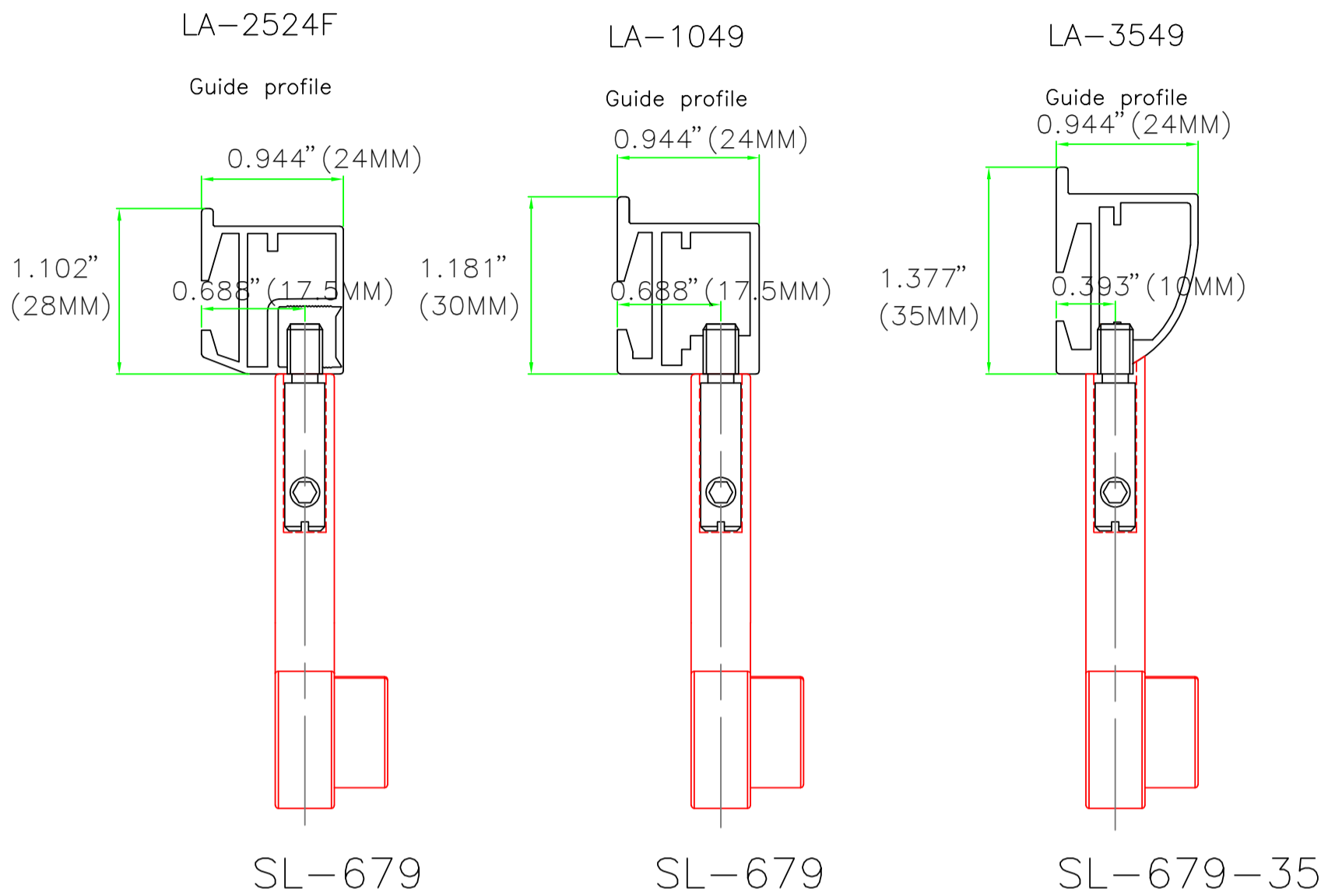


Setscrew M5

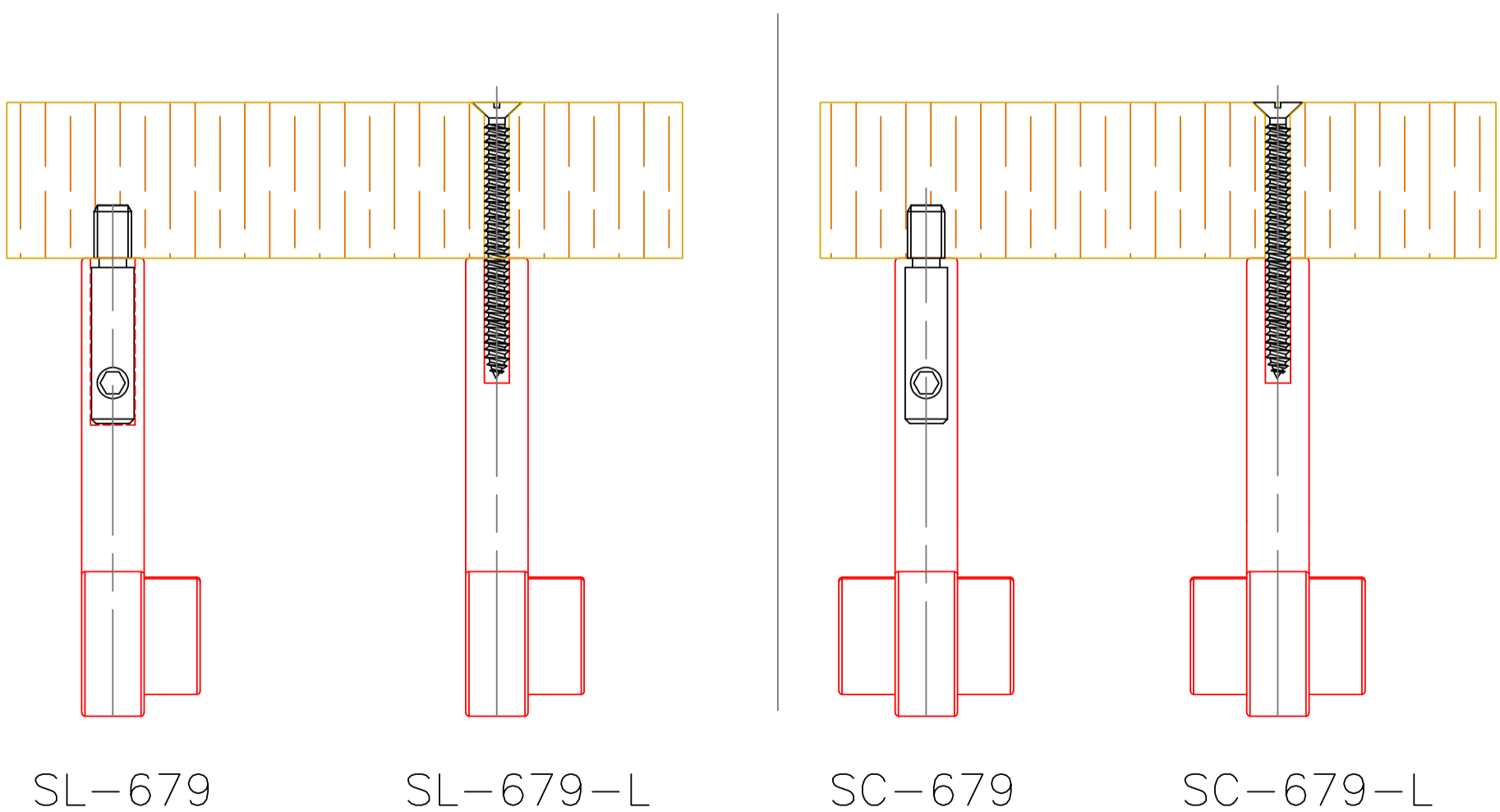


Screw for wood
(Up to the customer)

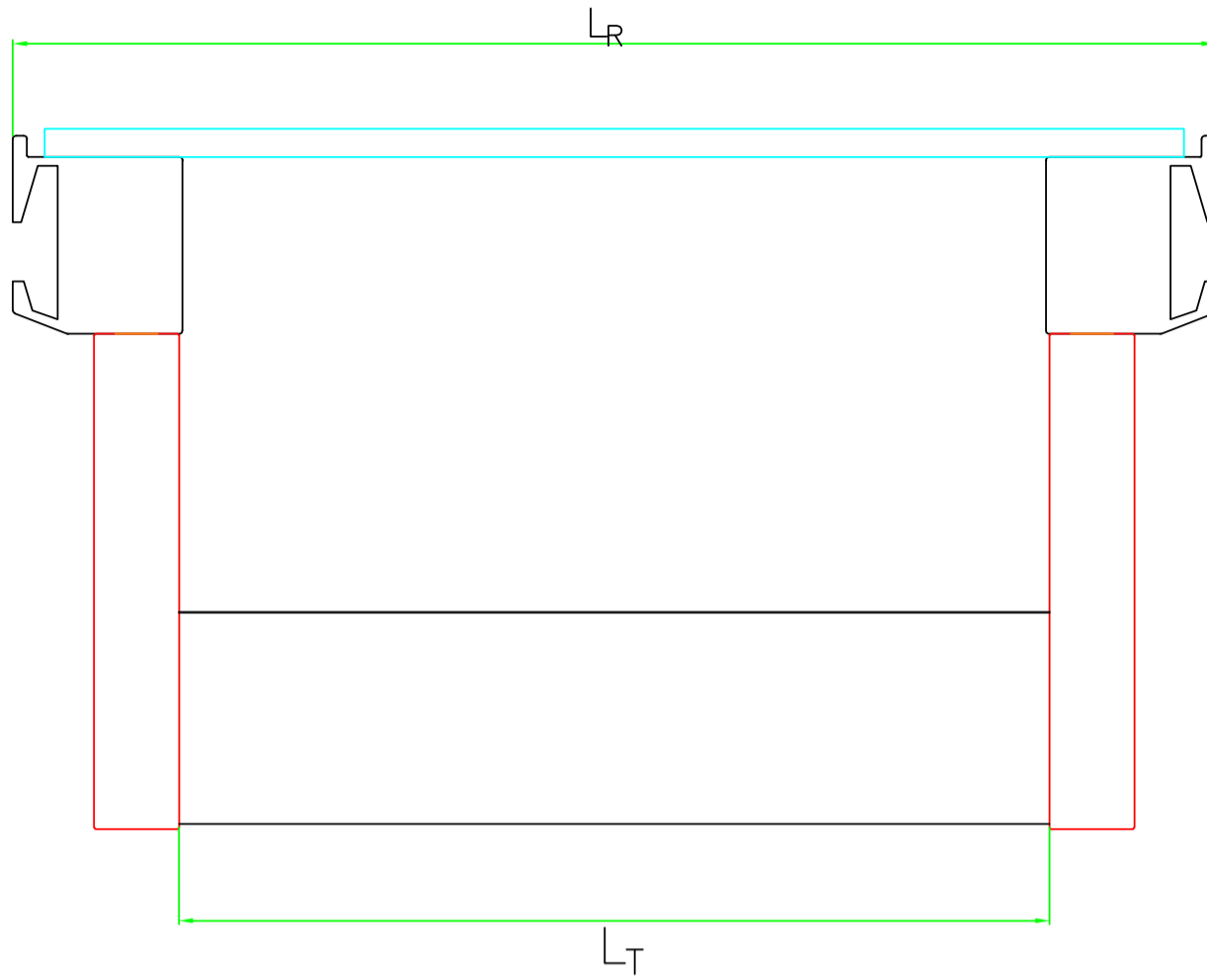
Assembly: Round Support for Aluminium LAIT shelves (H 0.984"/1.181"/1.377")
(H25/30/35MM)



Assembly: Round Support for Wooden shelves



Technical data for clothes hanger profile



Lenght calculation of clothes hanger profile for H25 / H30 mm Lait Shelves

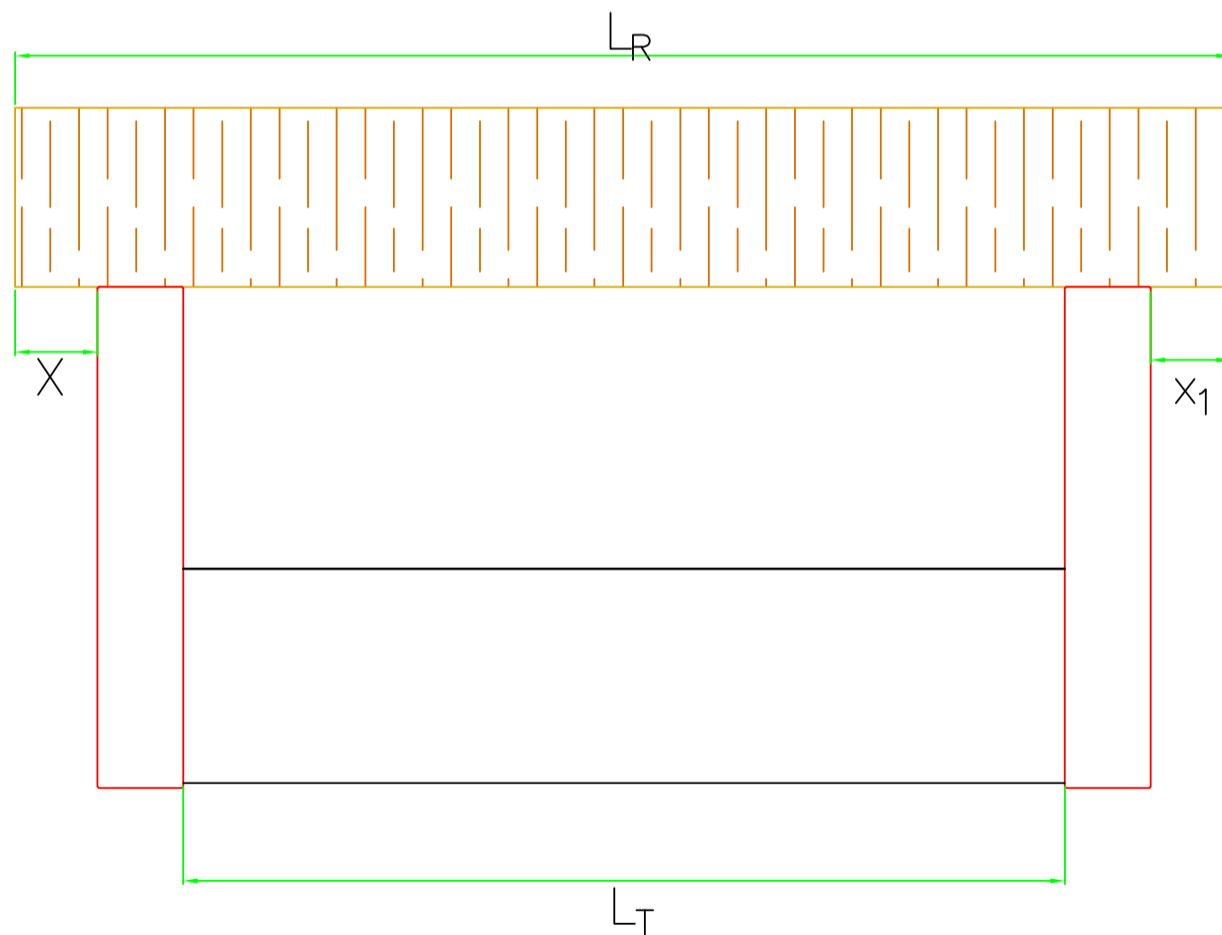
PR-2912 profile $L_T = L_R - 1.692''$ (43MM)

PR-679 Profile $L_T = L_R - 1.653''$ (43MM)

Lenght calculation of clothes hanger profile for H35 mm Lait Shelves

PR-2912 profile $L_T = L_R - 1.102''$ (28MM)

PR-679 Profile $L_T = L_R - 1.062''$ (27MM)



Lenght calculation of clothes hanger profile for Wooden Shelves

PR-2912 profile $L_T = L_R - (X + X_1 + 0.826'')$

PR-679 Profile $L_T = L_R - (X + X_1 + 0.629'')$