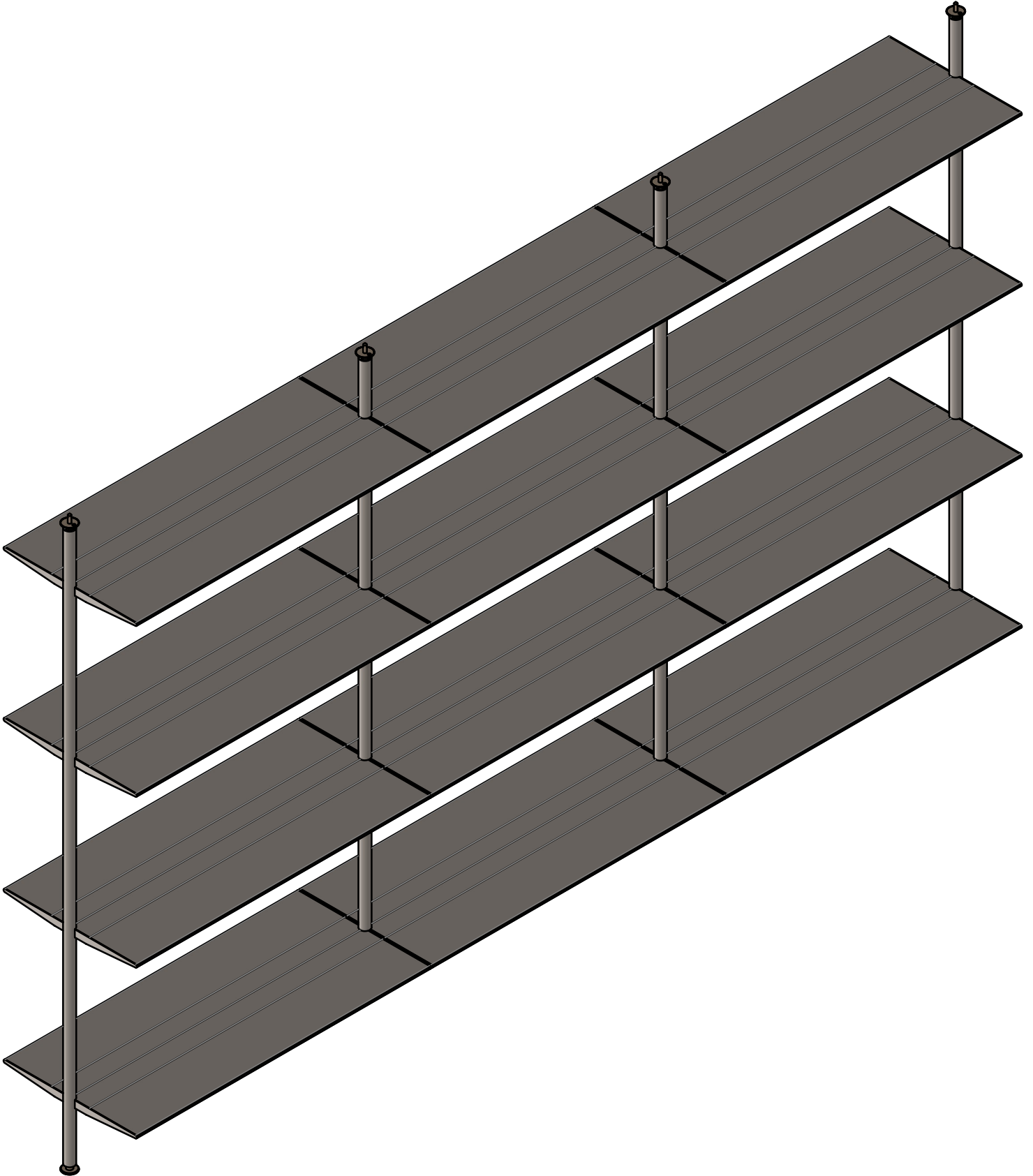


"FIRST" SYSTEM
FIXED TO THE CEILING

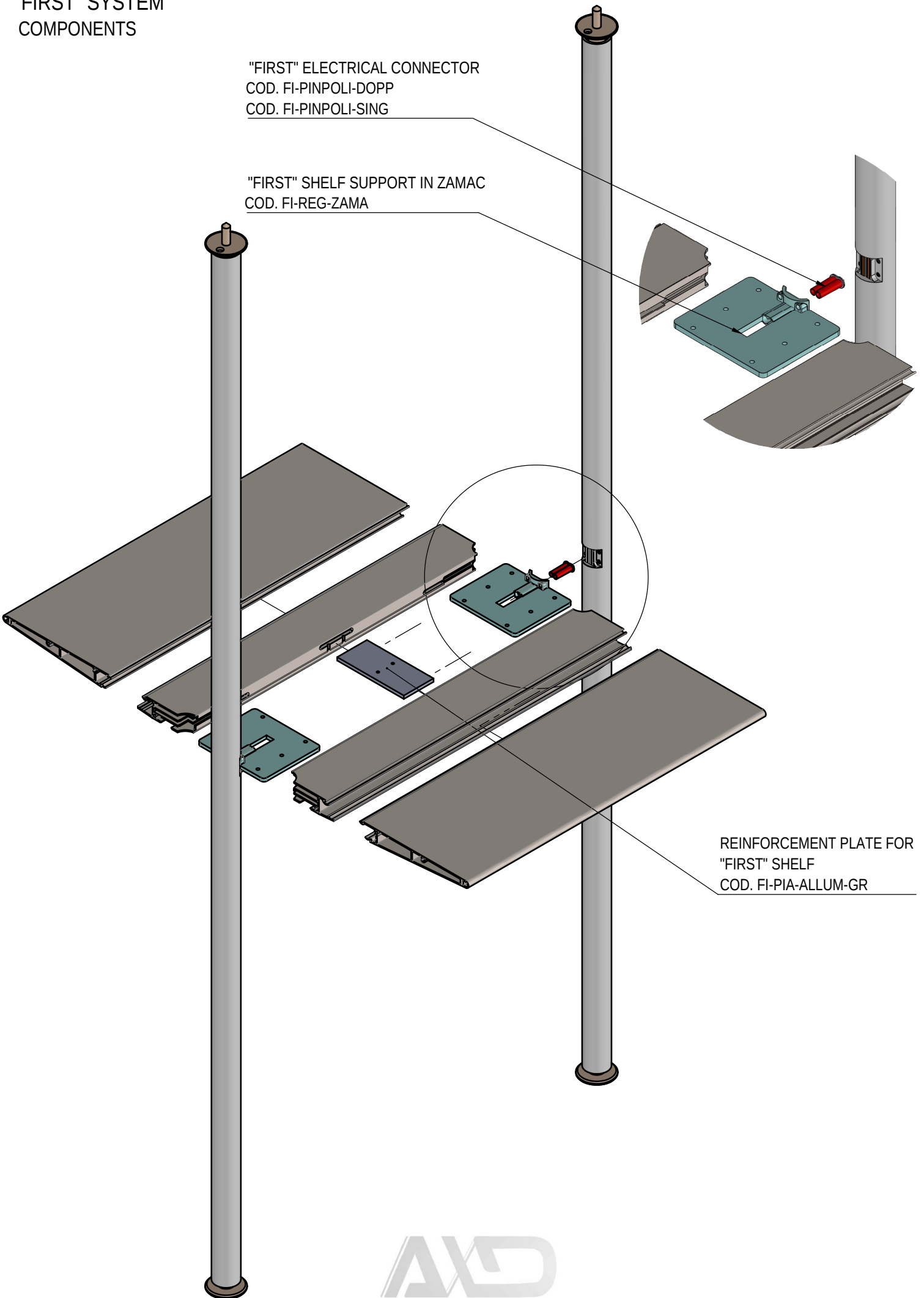


"FIRST" SYSTEM
COMPONENTS

"FIRST" ELECTRICAL CONNECTOR
COD. FI-PINPOLI-DOPP
COD. FI-PINPOLI-SING

"FIRST" SHELF SUPPORT IN ZAMAC
COD. FI-REG-ZAMA

REINFORCEMENT PLATE FOR
"FIRST" SHELF
COD. FI-PIA-ALLUM-GR



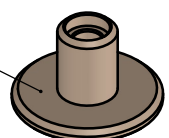
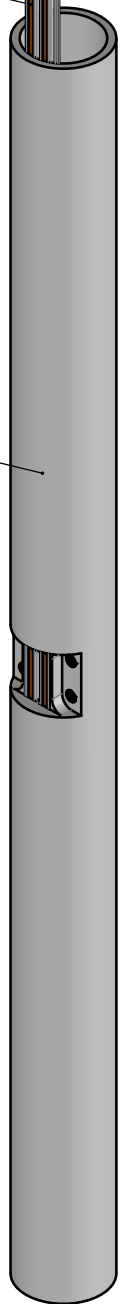
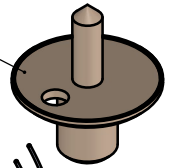
"FIRST" SYSTEM
FIXED TO THE CEILING
COMPONENTS

"FIRST" FOOT WITH CABLE ENTRY HOLE
COD. FI-PS

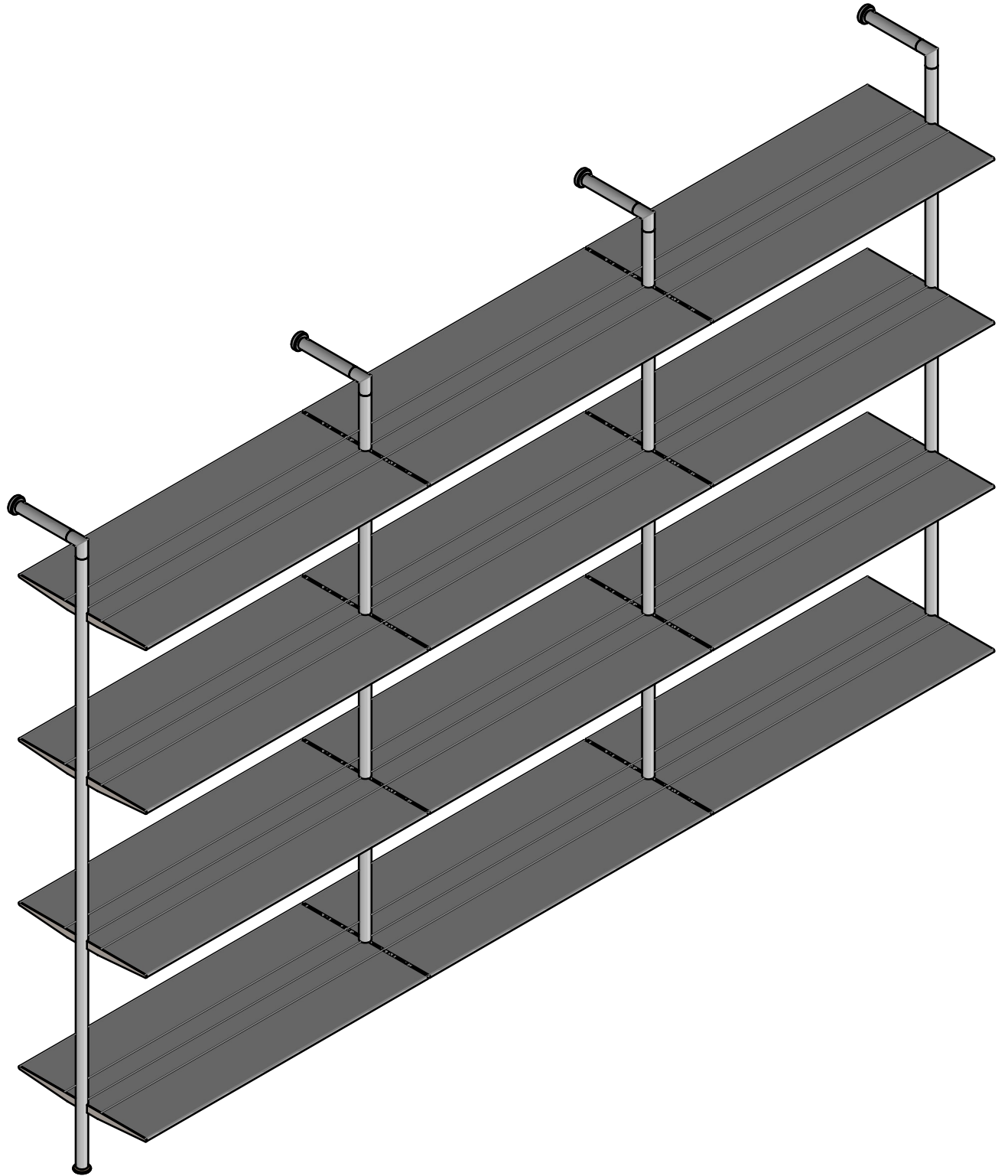
COUPLE OF PVC-COPPER EXTRUDED
STRIP FOR ELECTRIFICATION
COD. FI-ER-3000-CAVO-2X05

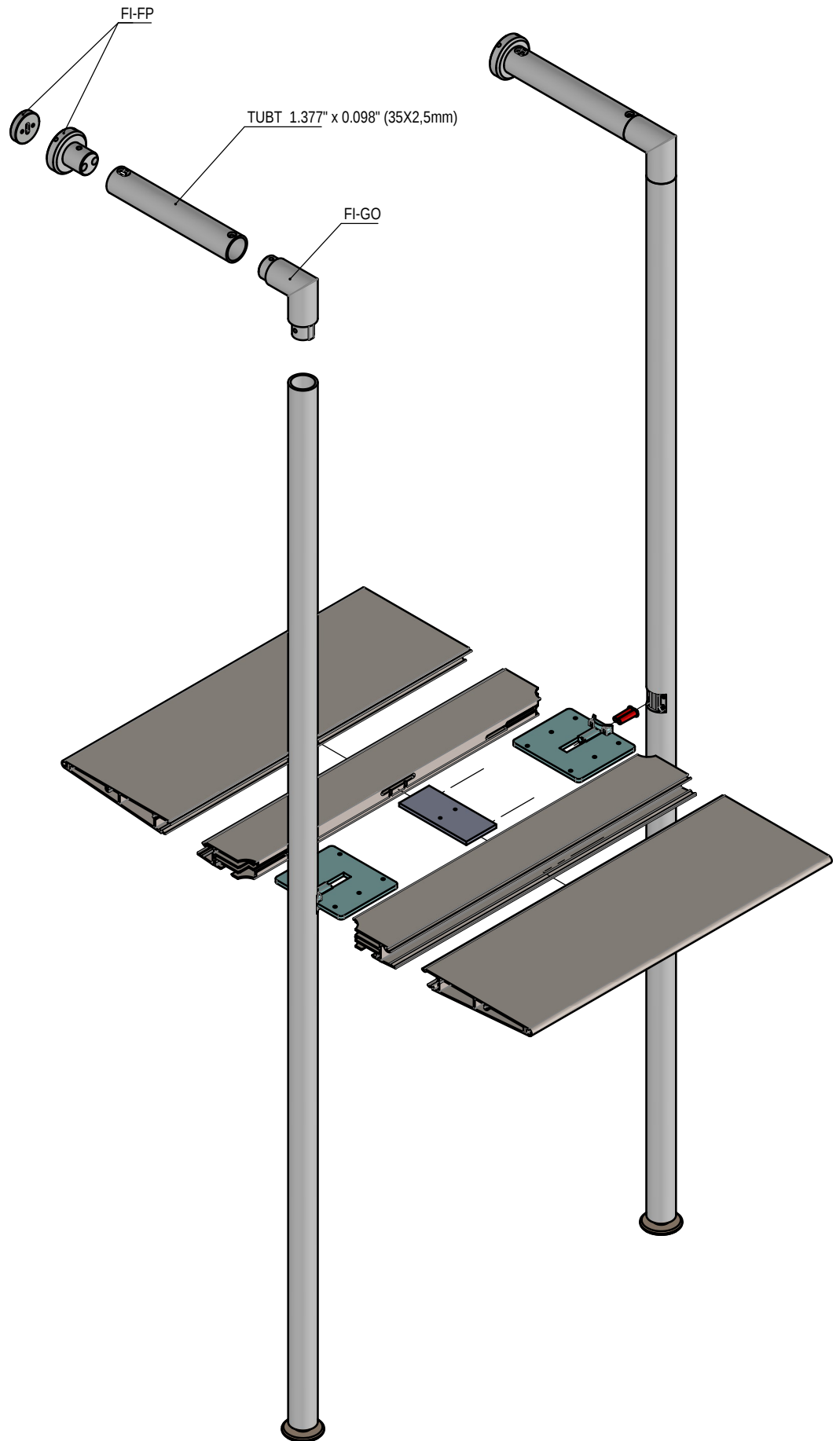
"FIRST" VERTICAL PROFILE
COD. FI-35

"FIRST" FOOT WITHOUT CABLE ENTRY HOLE
COD. FI-PI



"FIRST" SYSTEM
FIXED TO THE WALL

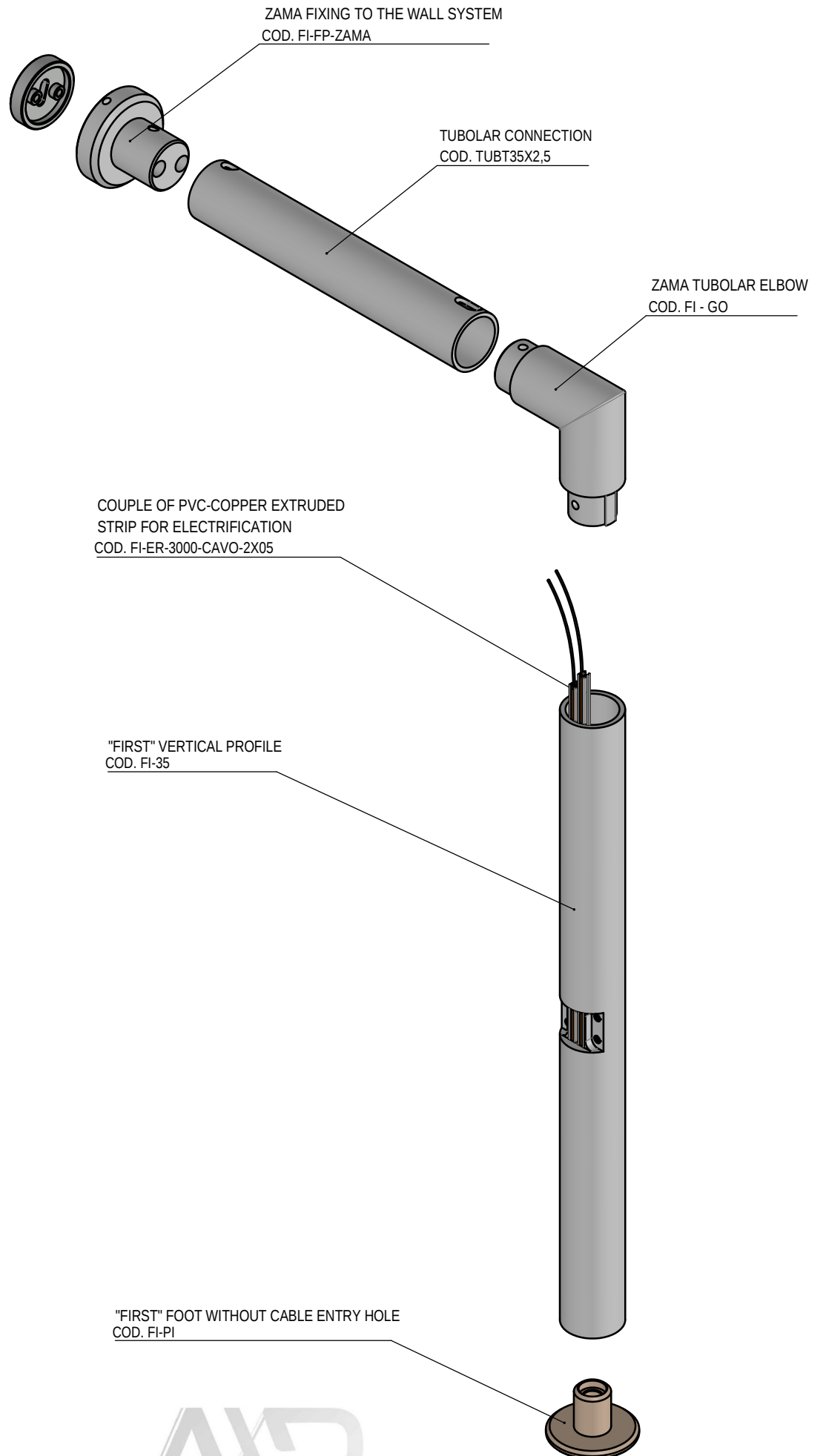


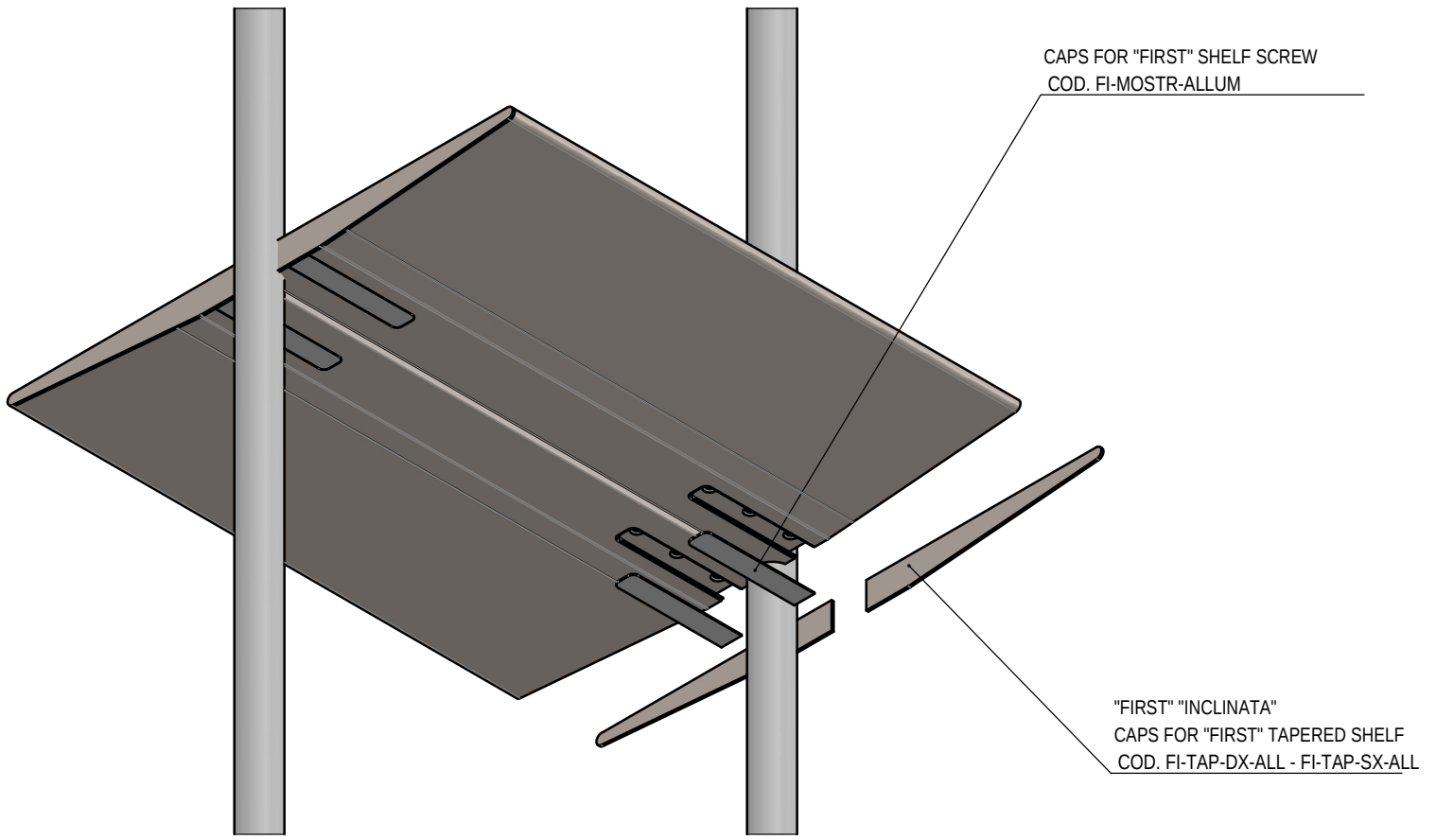


"FIRST" SYSTEM
FIXED TO THE WALL
COMPONENTS



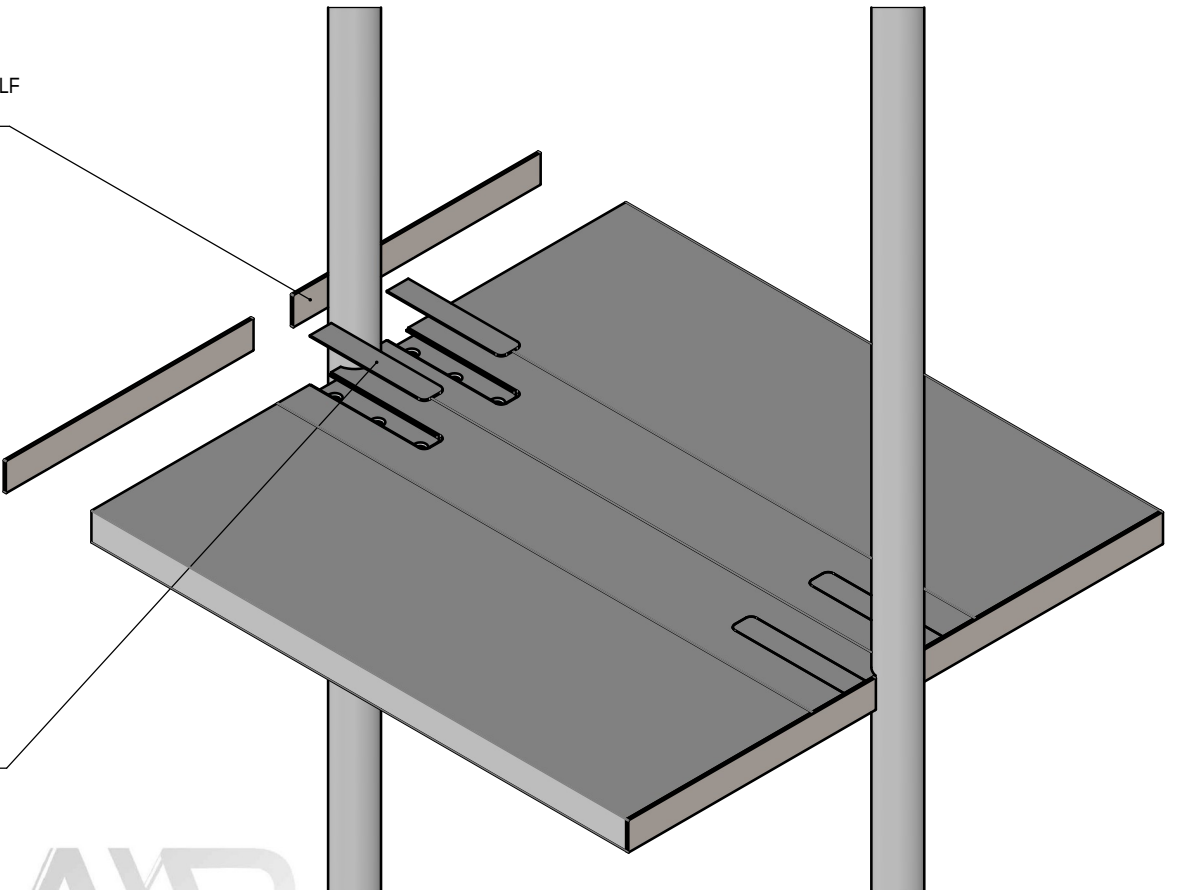
"FIRST" SYSTEM
FIXED TO THE WALL
COMPONENTS



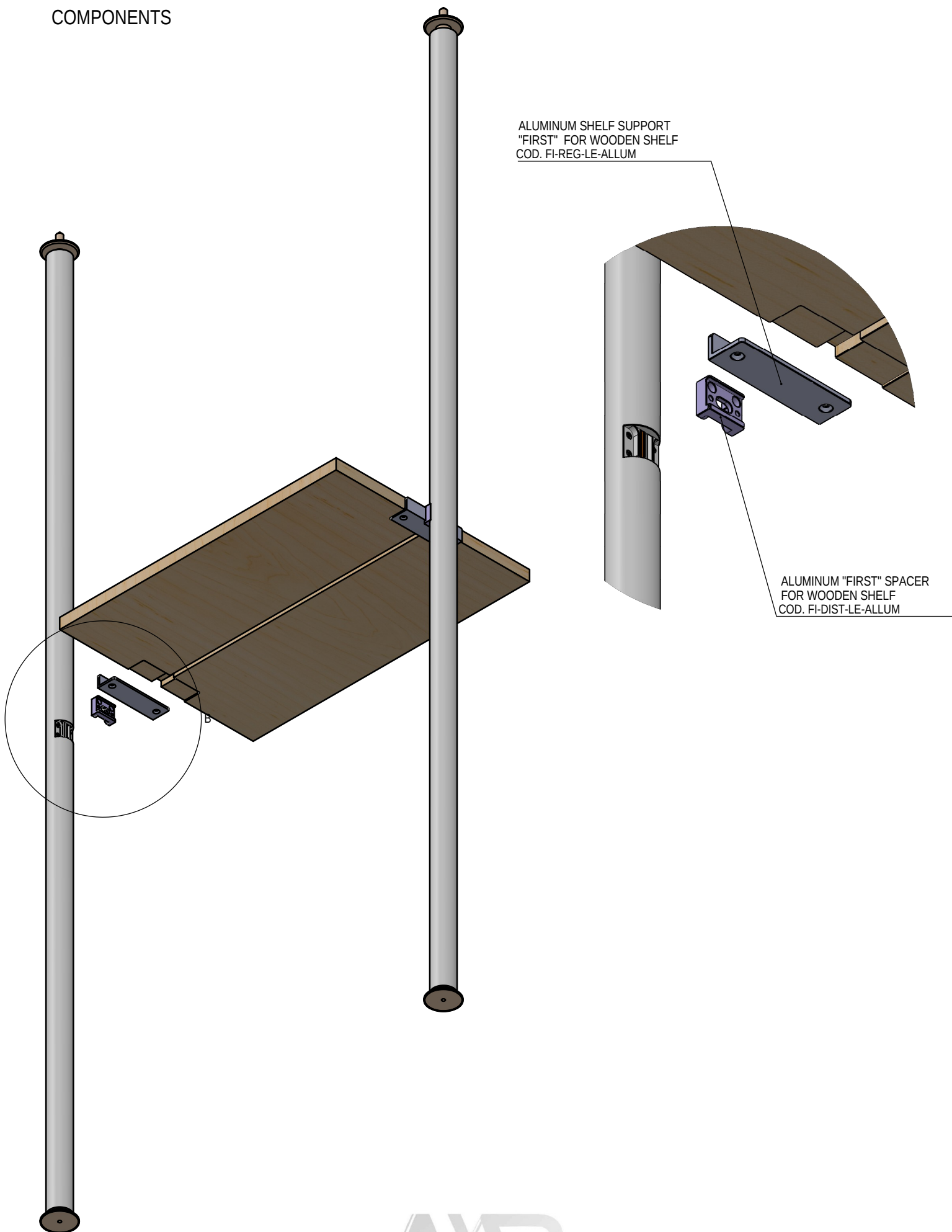


"FIRST" "DRITTA"
CAPS FOR "FIRST" STRAIGHT SHELF
COD. FI-TAP-SI-ALL

CAPS FOR "FIRST" SHELF SCREW
COD. FI-MOSTR-ALLUM



"FIRST" SYSTEM
WOODEN SHELF
COMPONENTS



ALUMINUM SHELF SUPPORT
"FIRST" FOR WOODEN SHELF
COD. FI-REG-LE-ALLUM

ALUMINUM "FIRST" SPACER
FOR WOODEN SHELF
COD. FI-DIST-LE-ALLUM