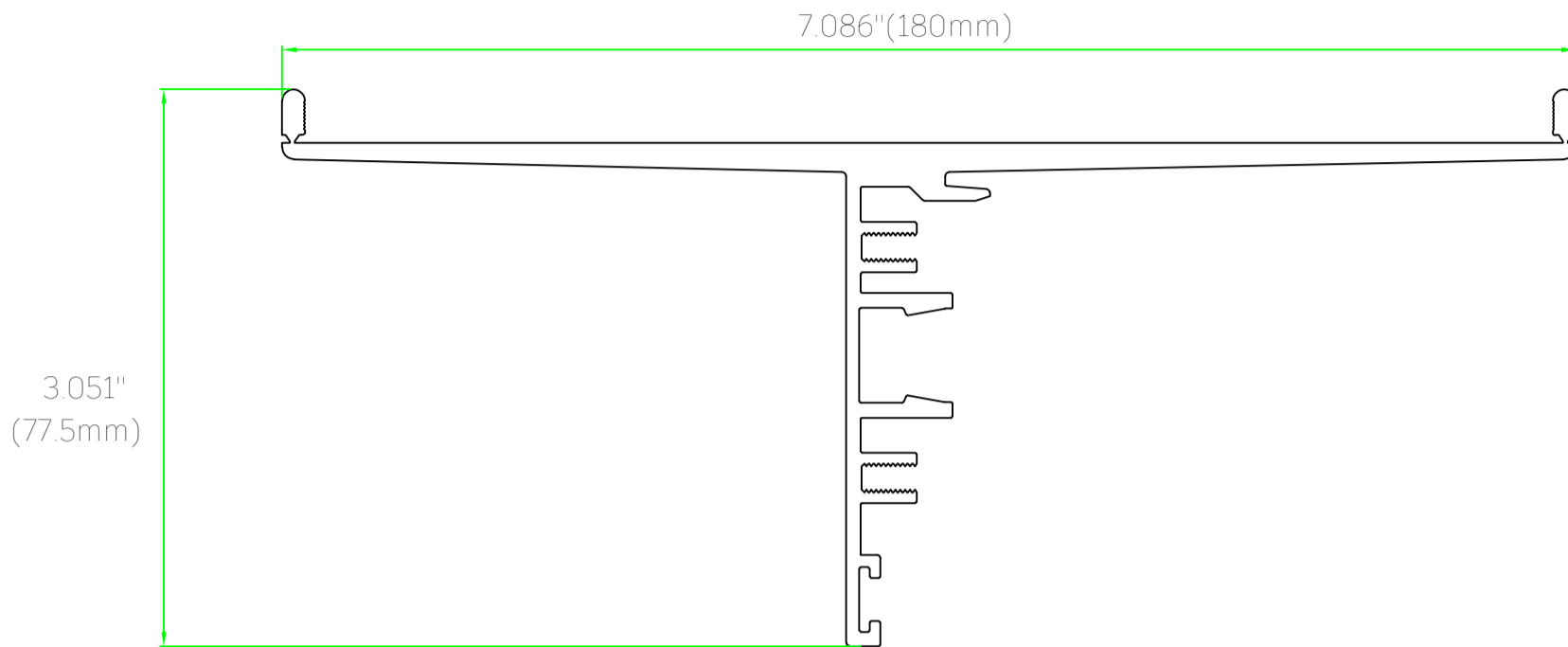


FLY

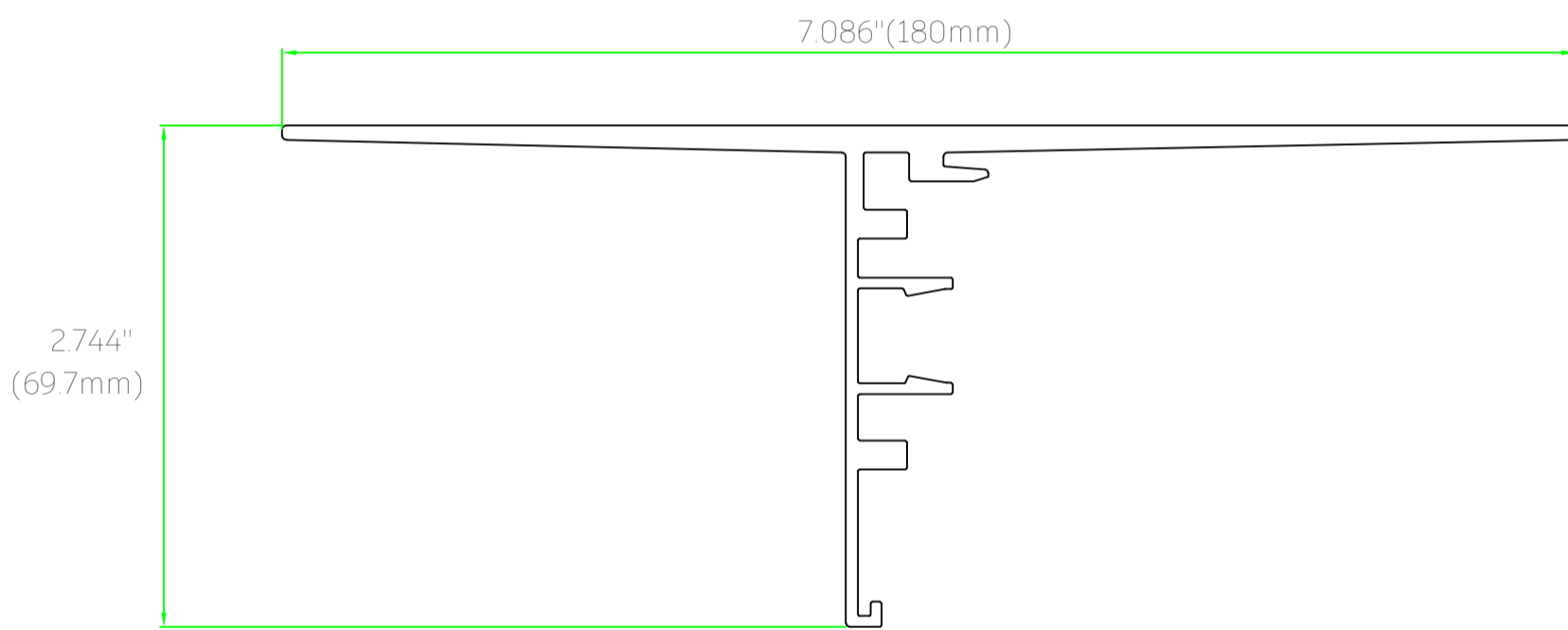


Assembling instruction: structure in the middle of the room with lighted shelves

Shelves alluminium profiles

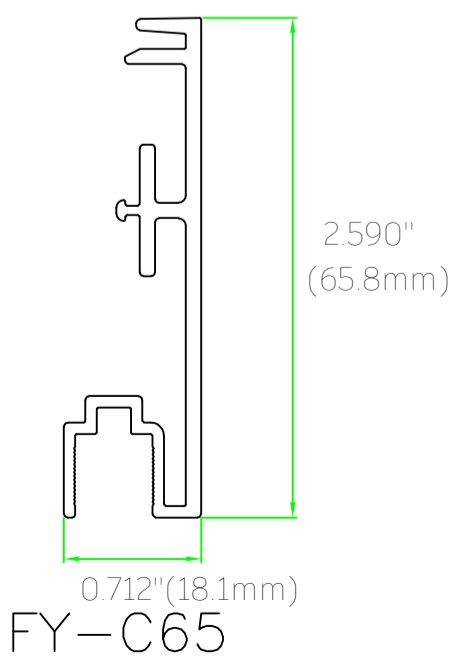


FY-M180



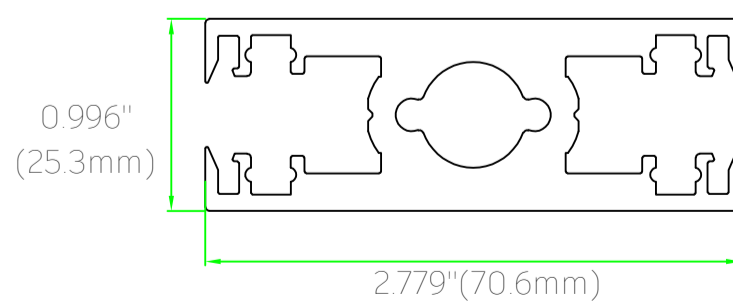
FY-M180N

Shelves cover profile



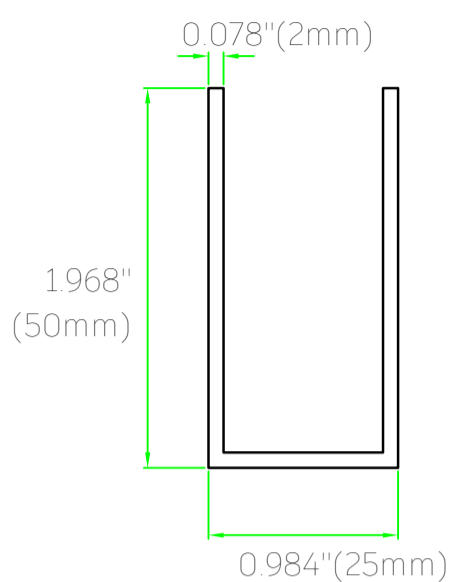
FY-C65

electricied Vertical profile

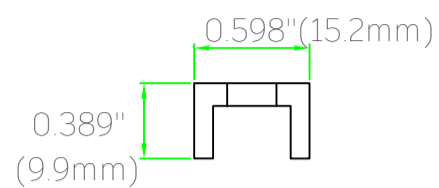


FY-70

U profile

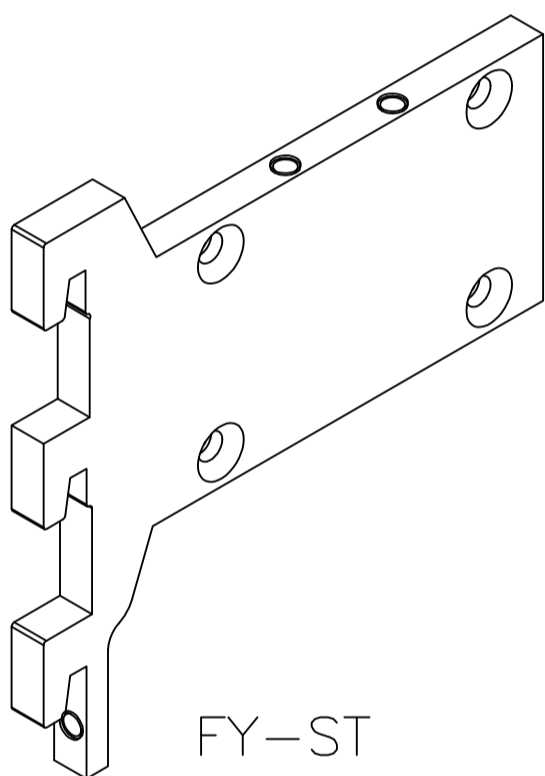


Rack profile

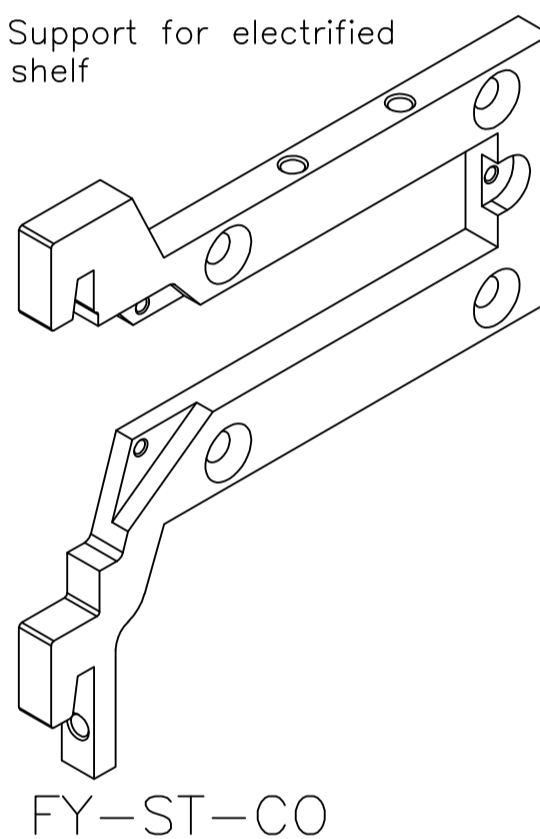


BF-914

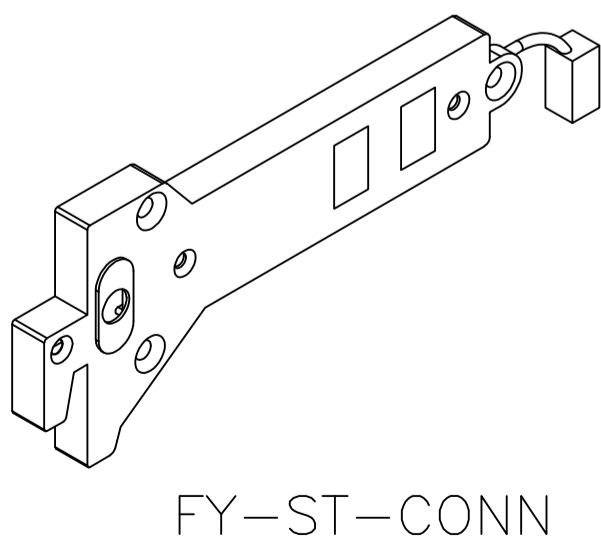
Shelf Support



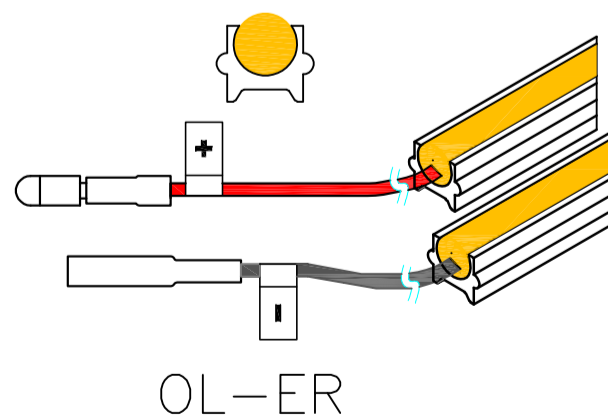
Support for electrified shelf



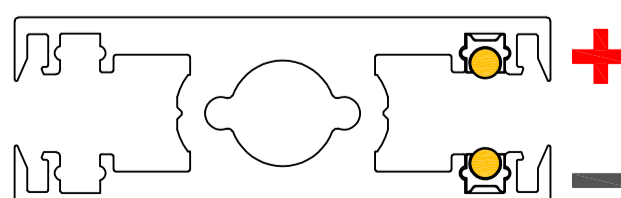
Single power supply connector



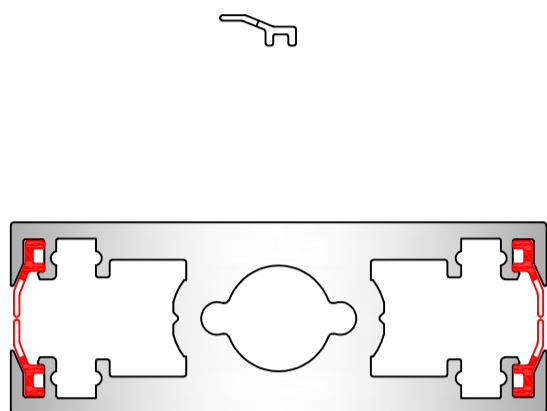
Couple of Extruded Strip for electrification



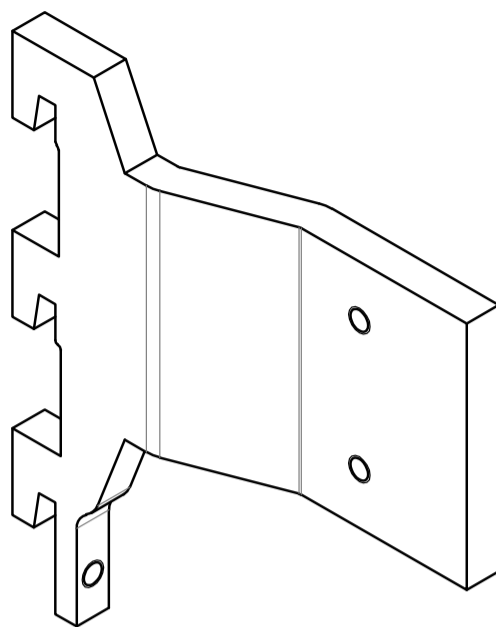
OL-ER



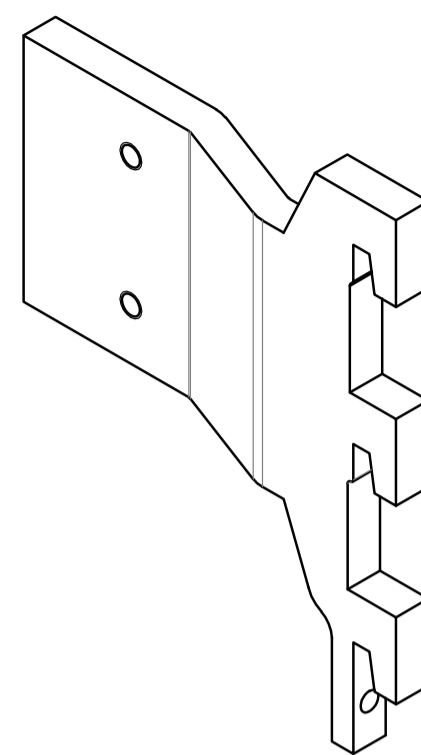
GU-O-Lung 118.110"
(3000mm)
Gasket fumè color



Supports for U profile

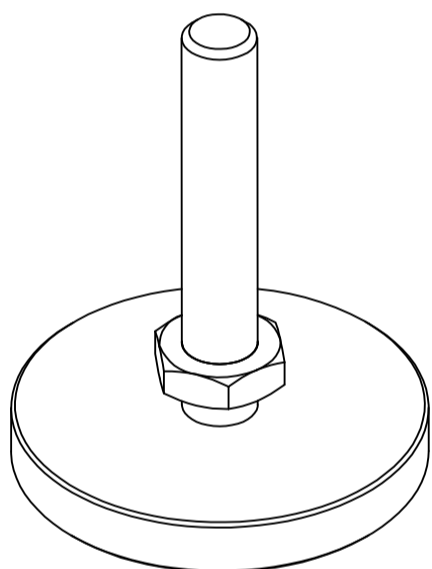


FY-SC-SX



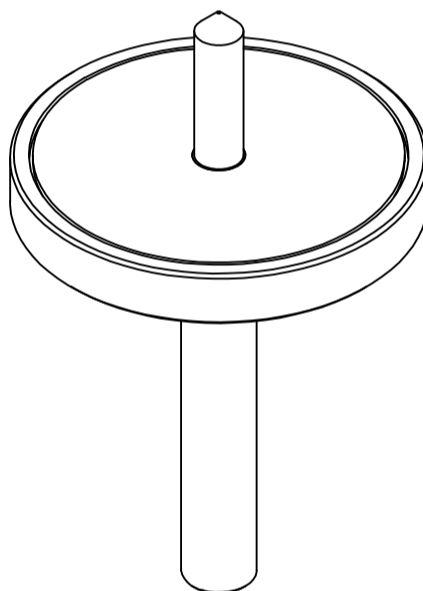
FY-SC-DX

Floor foot



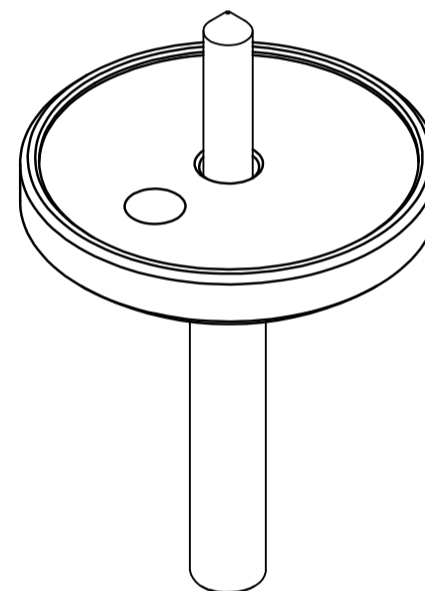
F-PI

ceiling foot



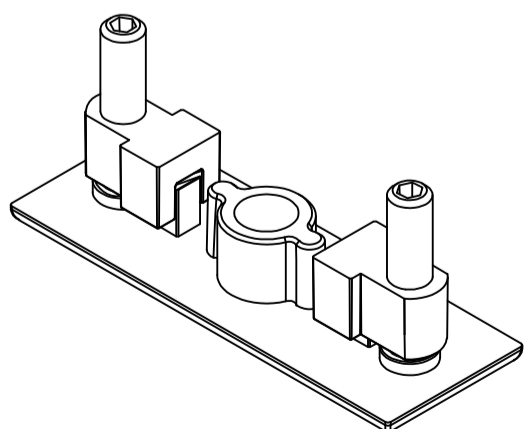
F-PS

ceiling foot with hole for cables



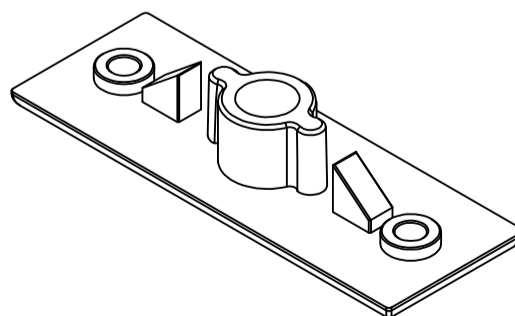
F-PS-CF

Lower cap with set screw
for rack adjustment



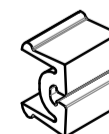
FY-TI

Upper cap

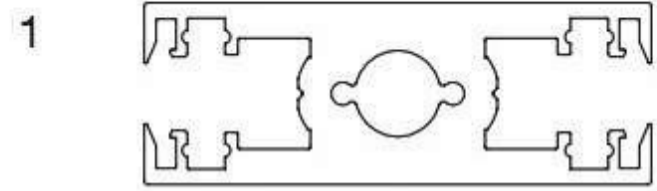
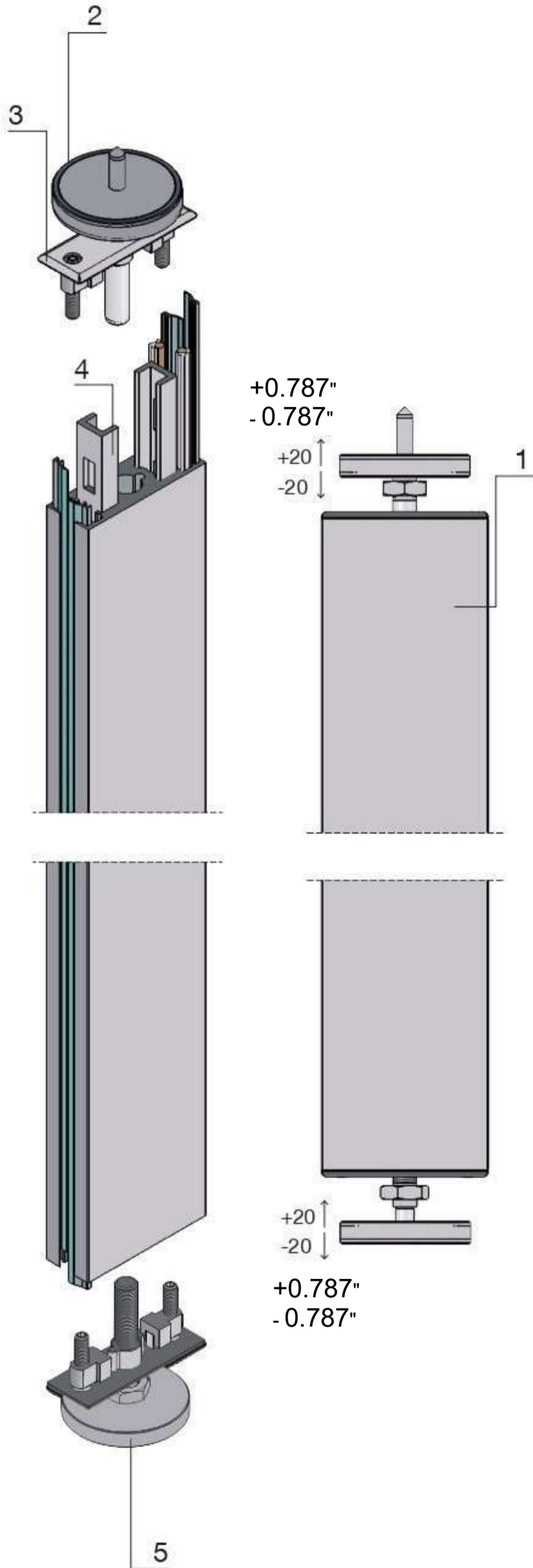


FY-TS

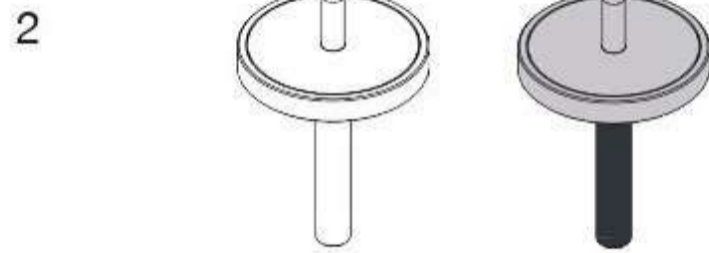
Clip



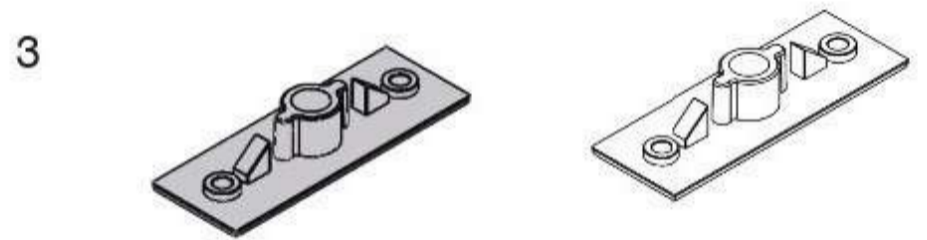
UP-M-CLIP-GIAPPO



FY-70 Electricified vertical profile



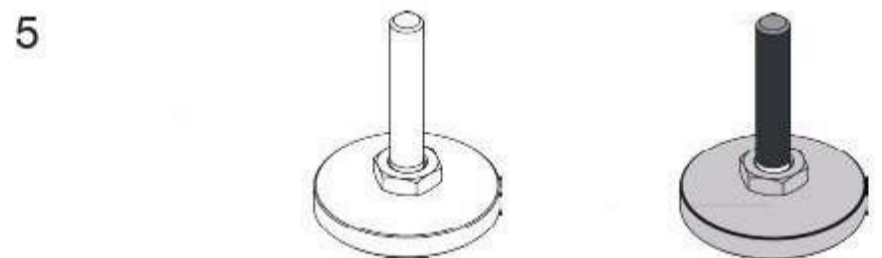
F-PS Ceiling foot



FY-TSI Upper/Lower Cap

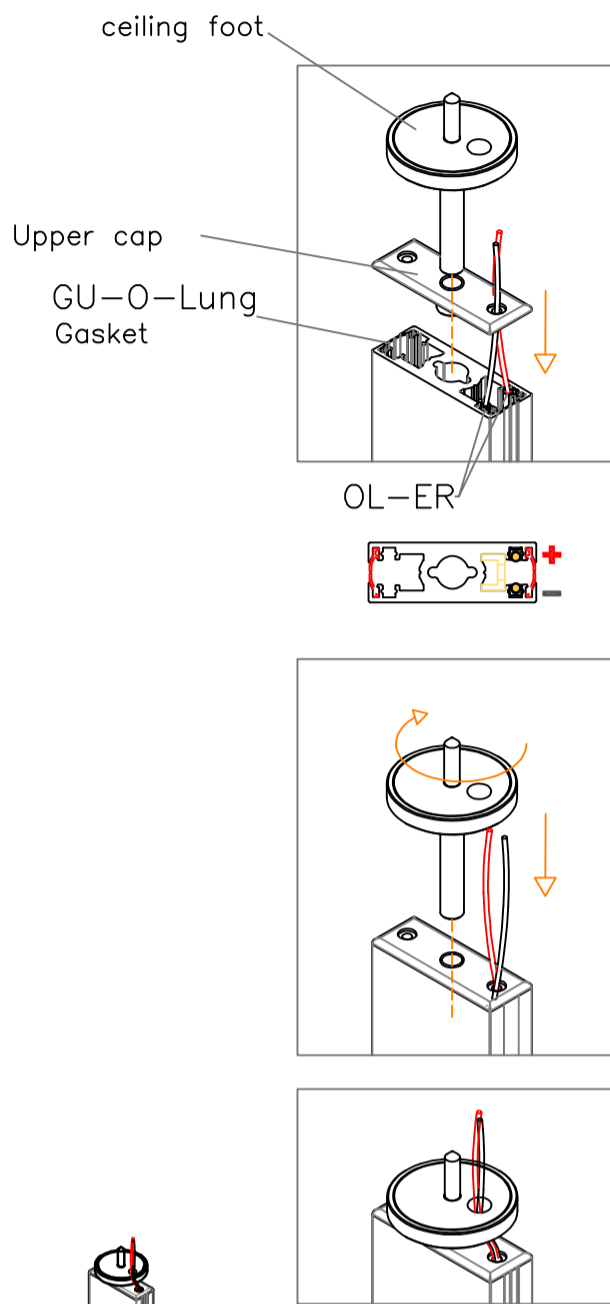


BF-914 Rack Profile

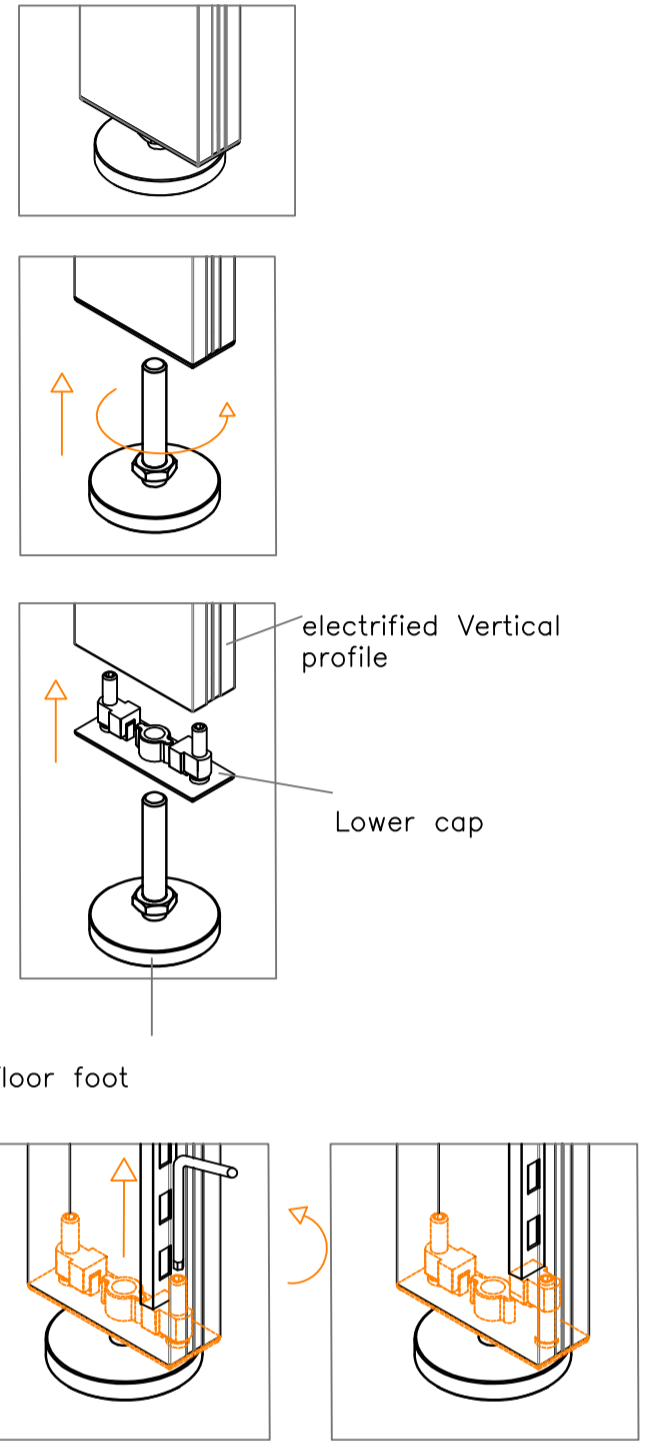
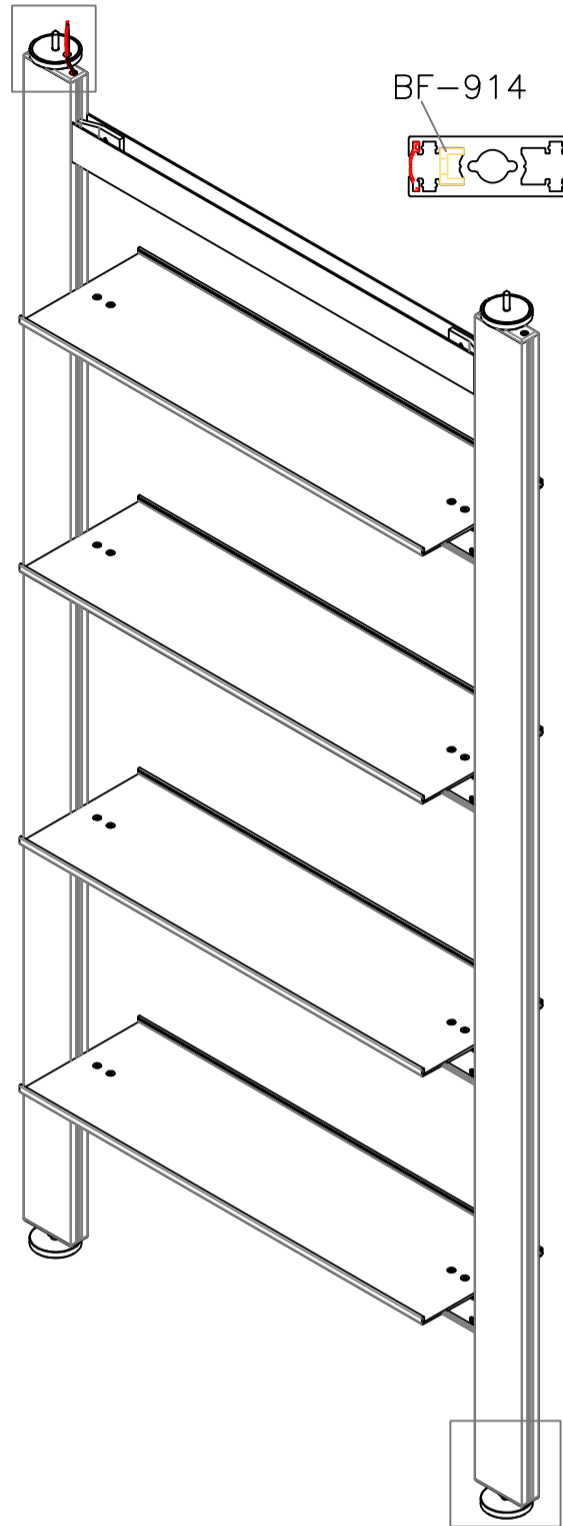


F-PI Floor foot

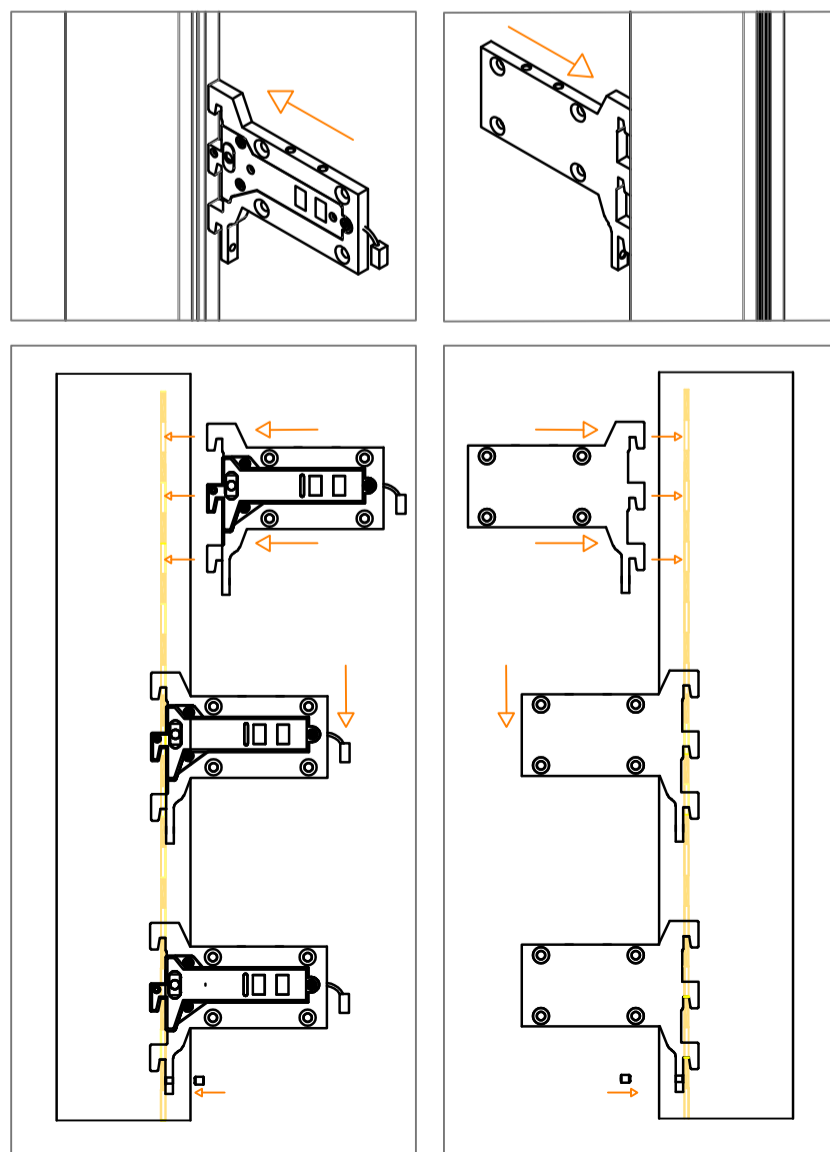
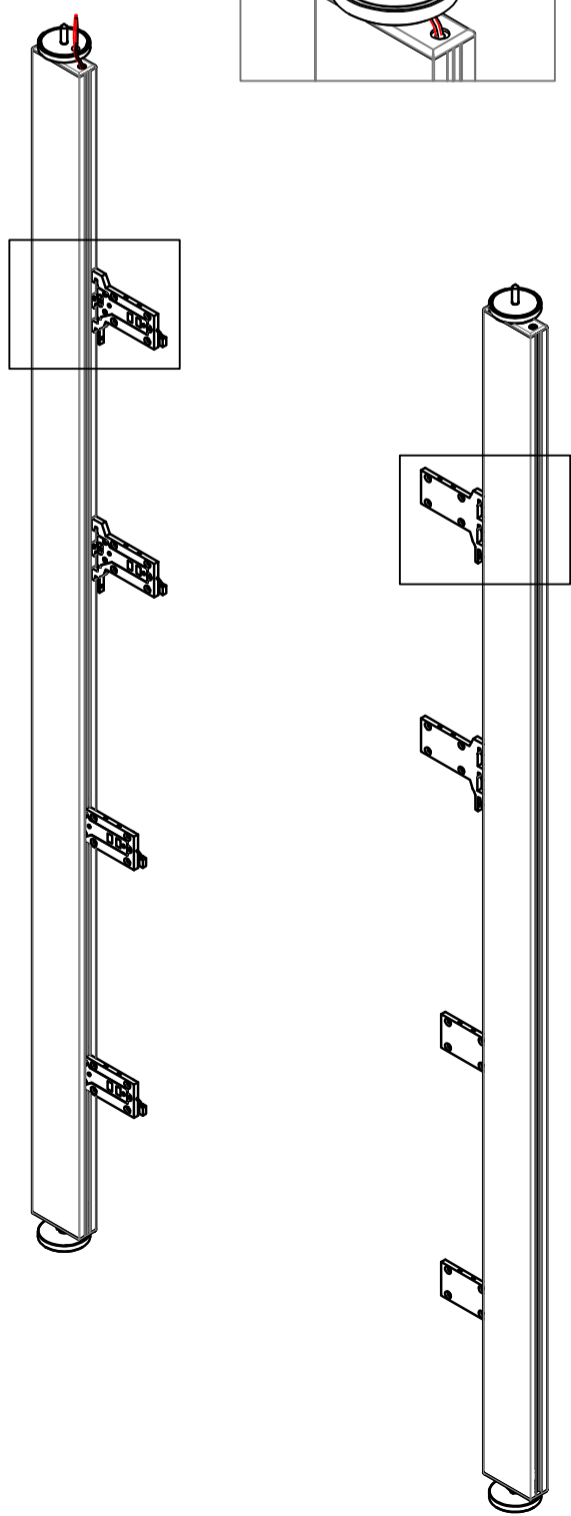
Assembling instruction: Structure in the middle of the room with lighted shelves

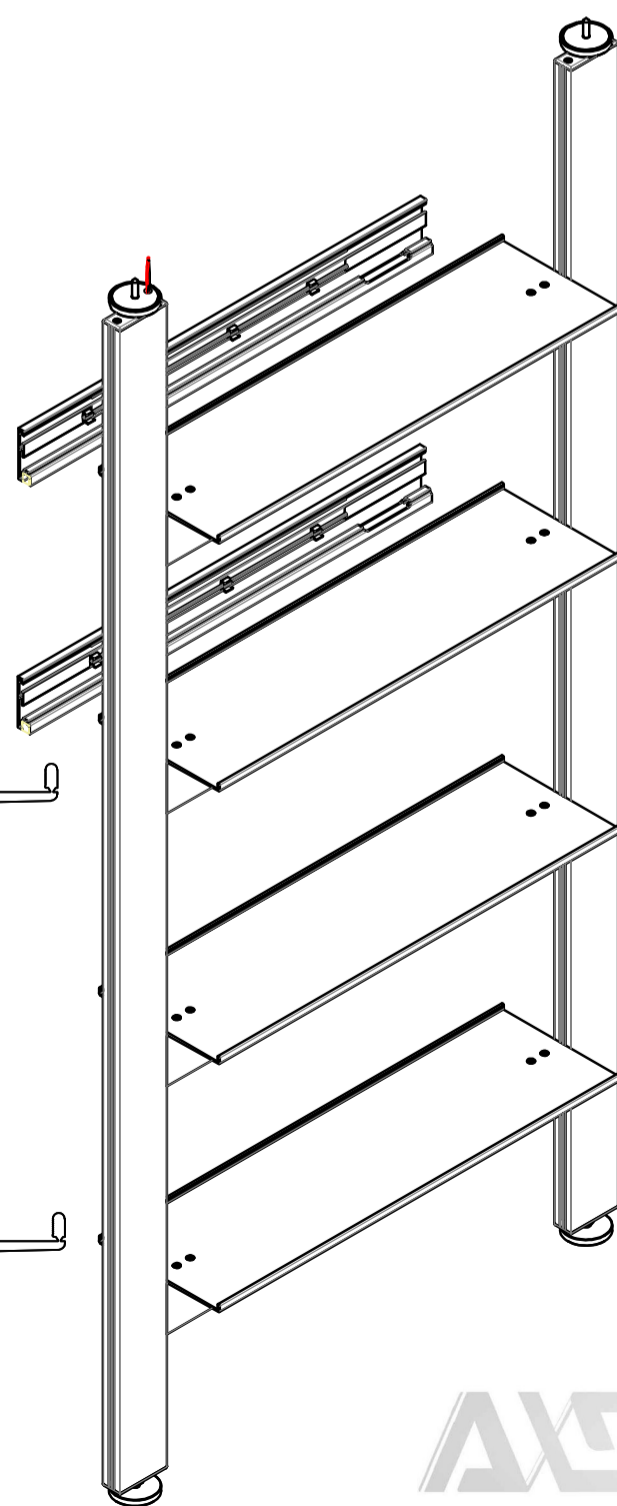
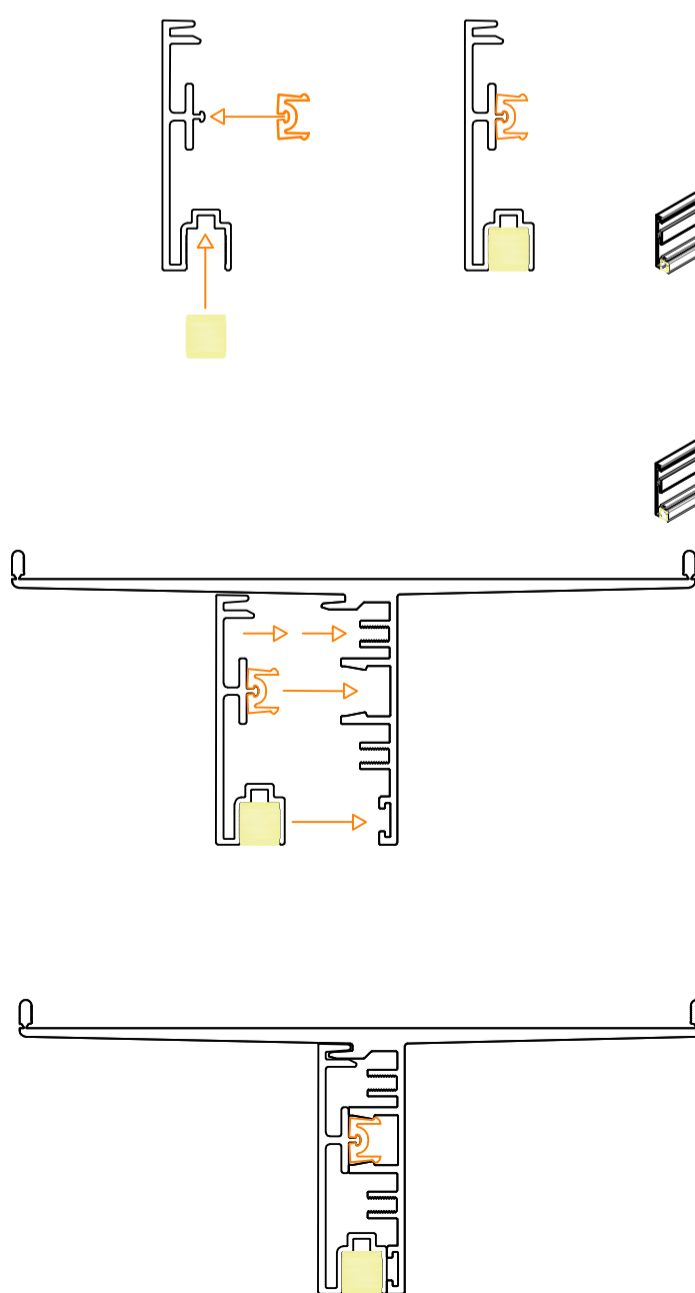
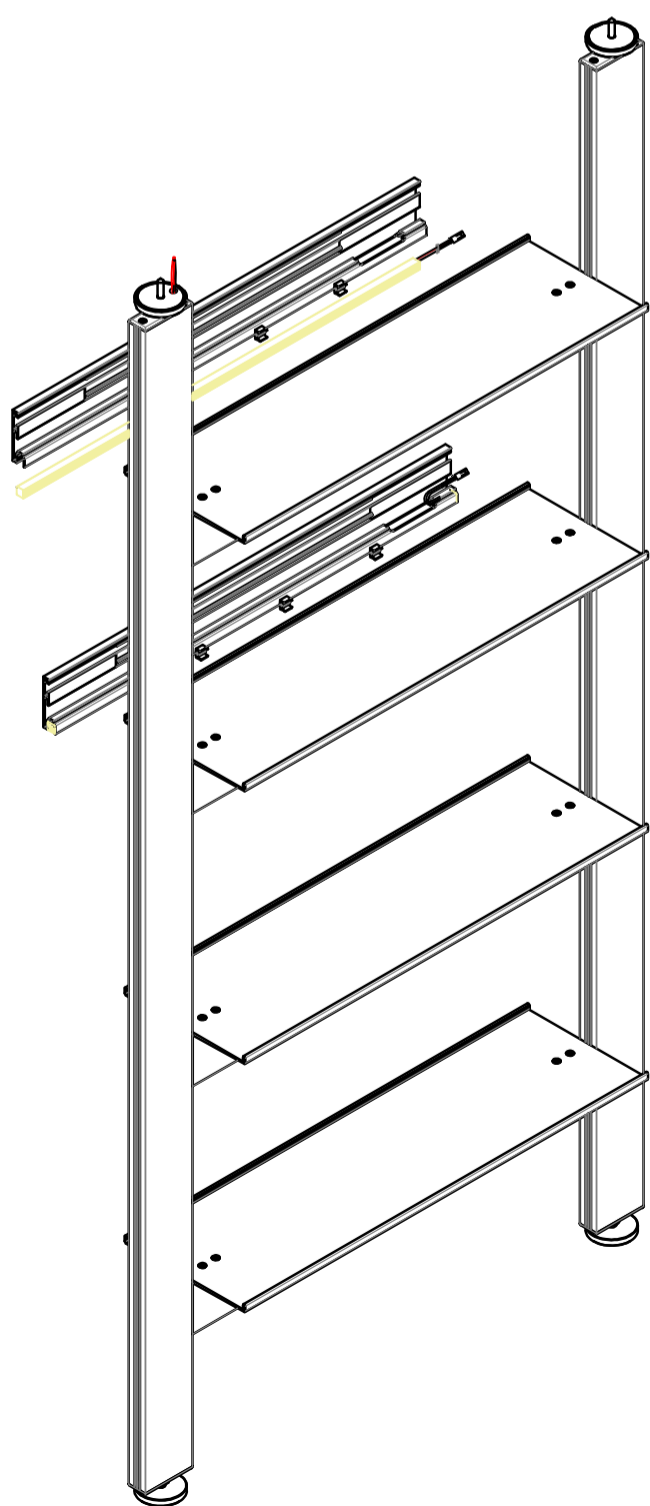
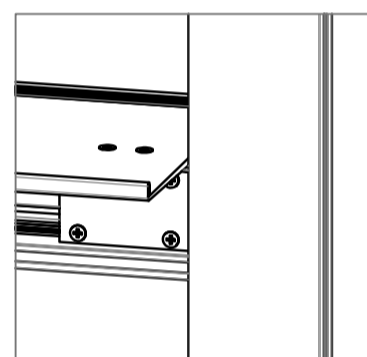
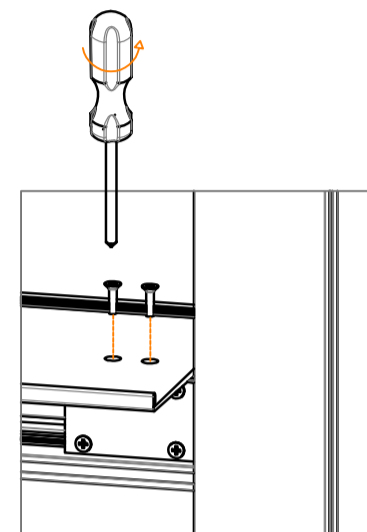
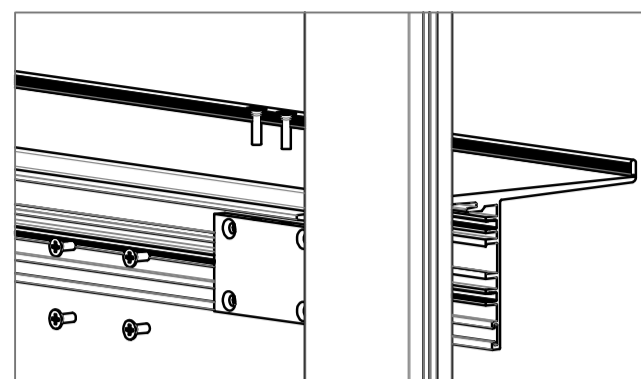
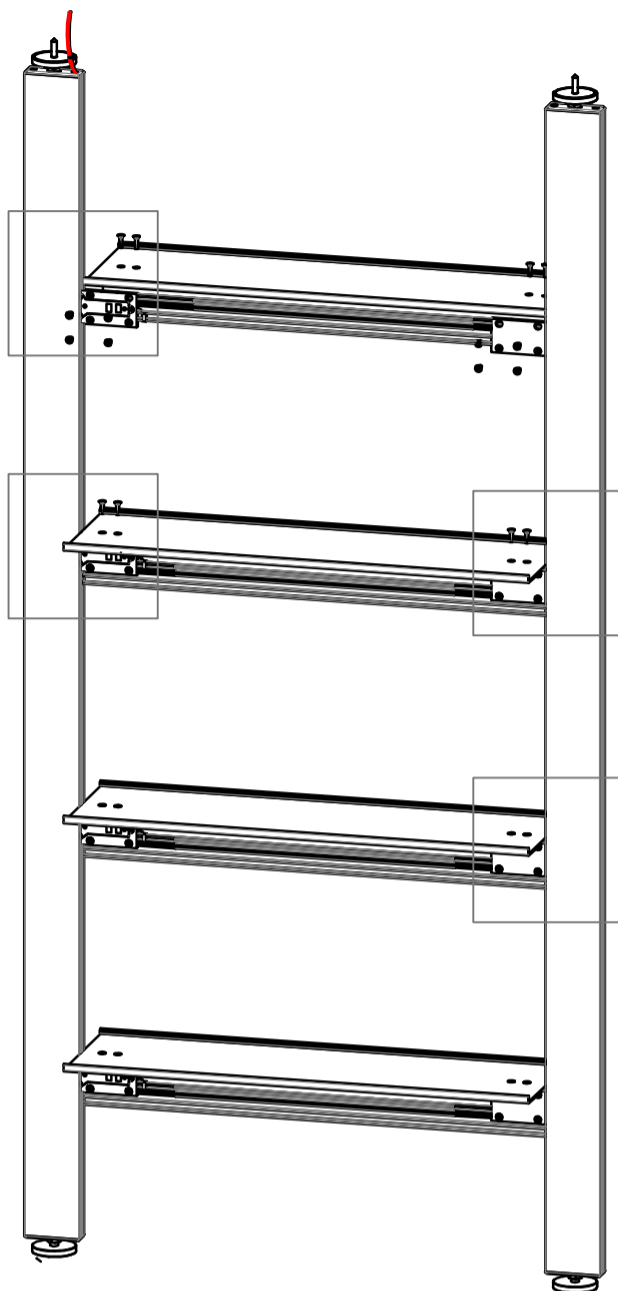
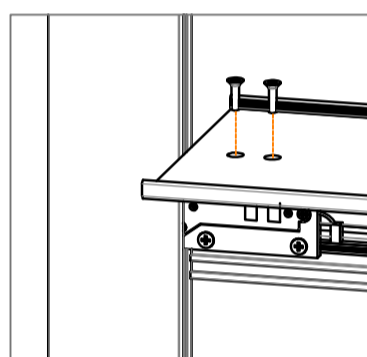
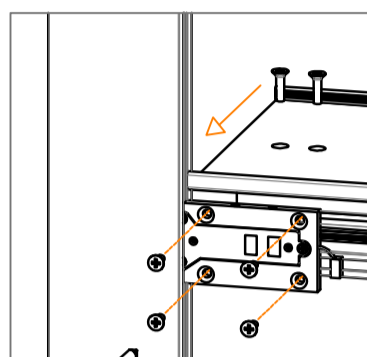
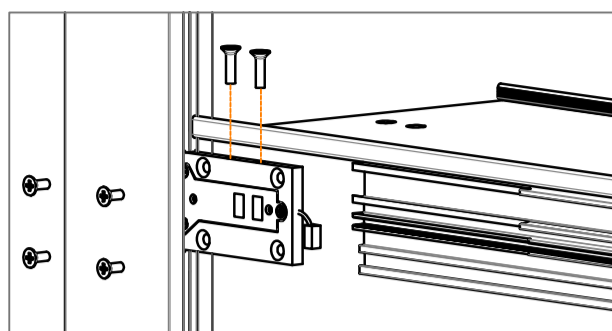


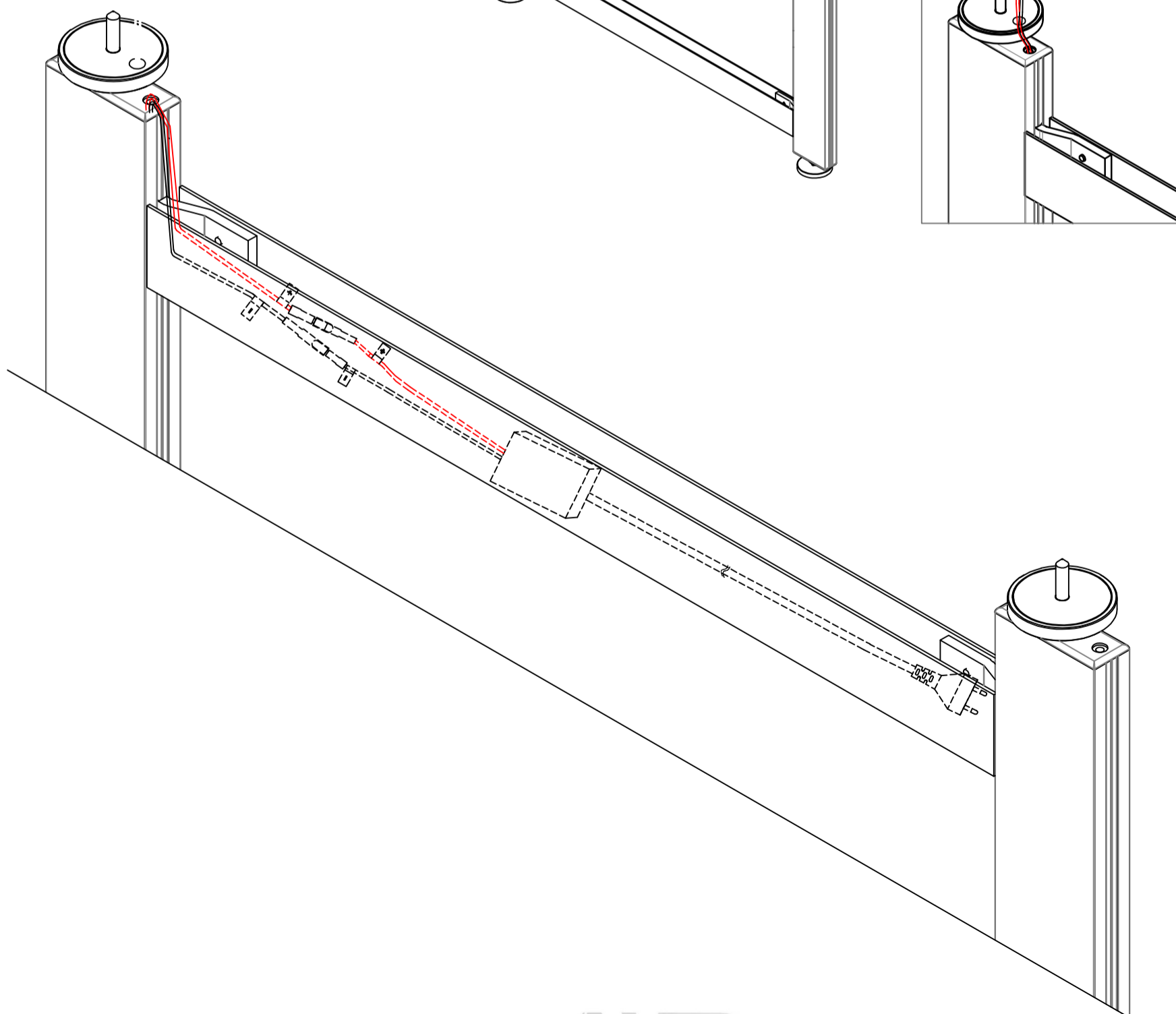
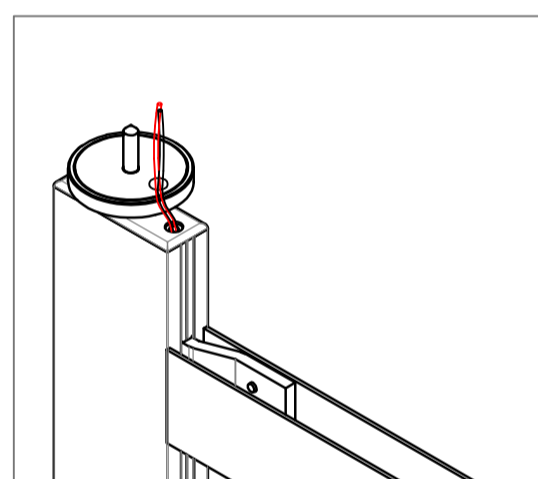
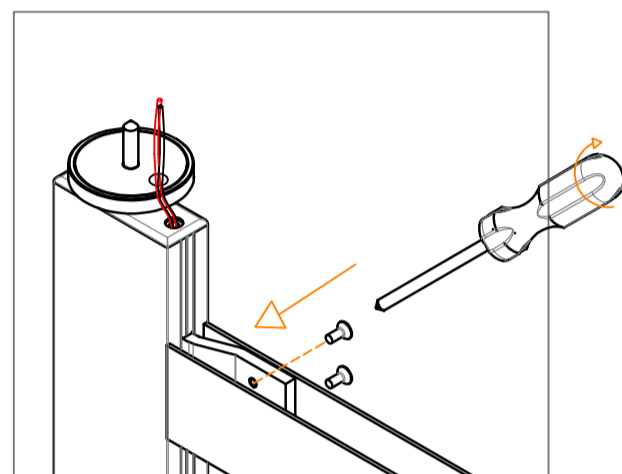
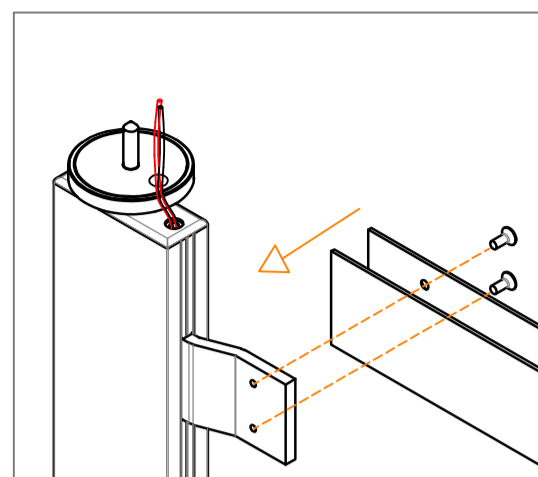
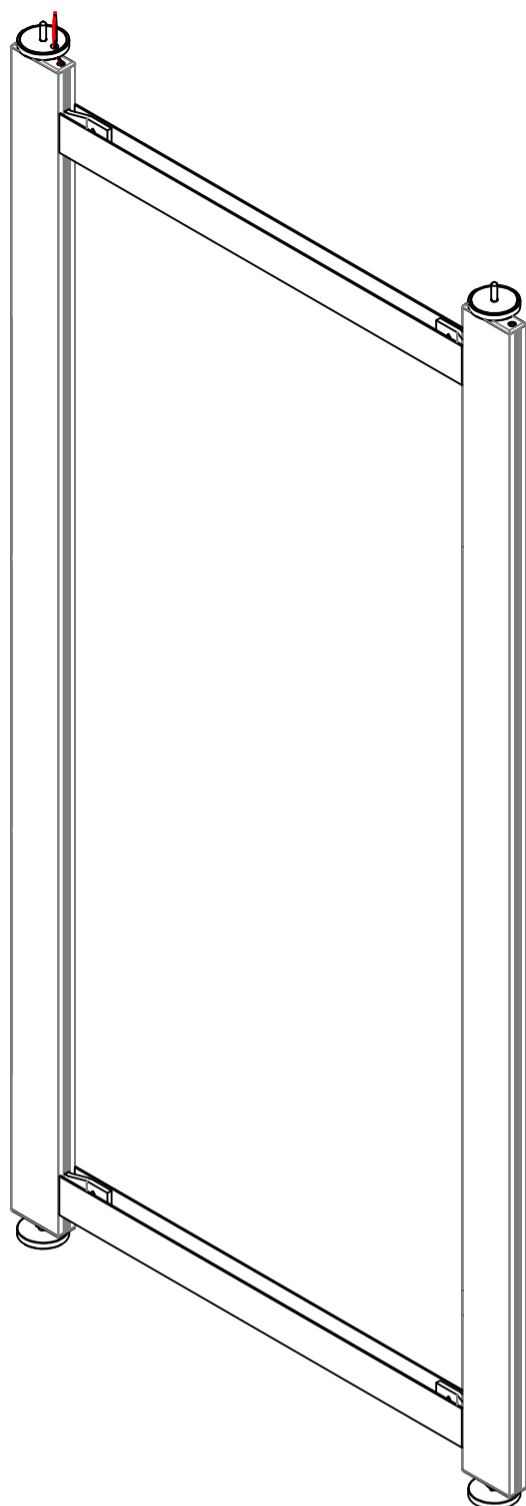
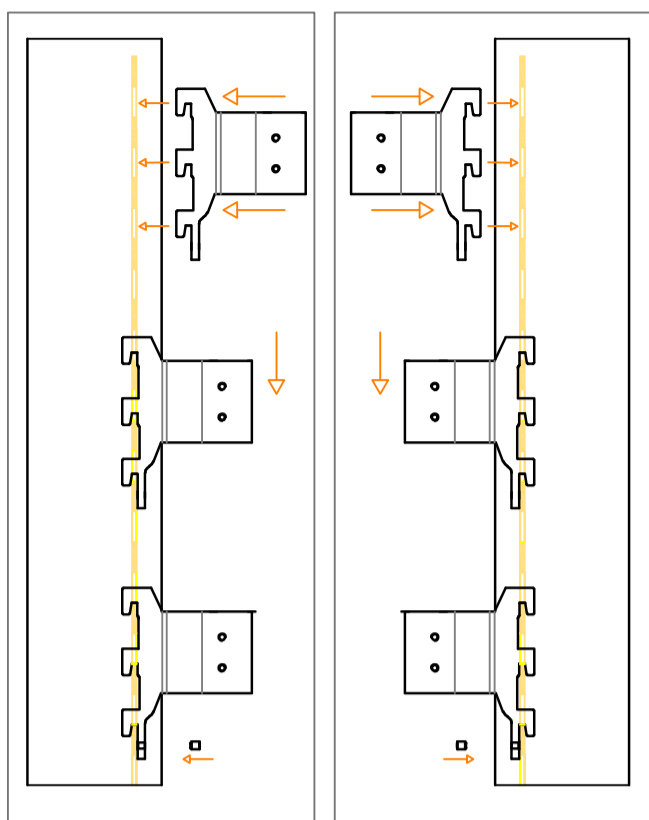
Shelves Electrification on the left



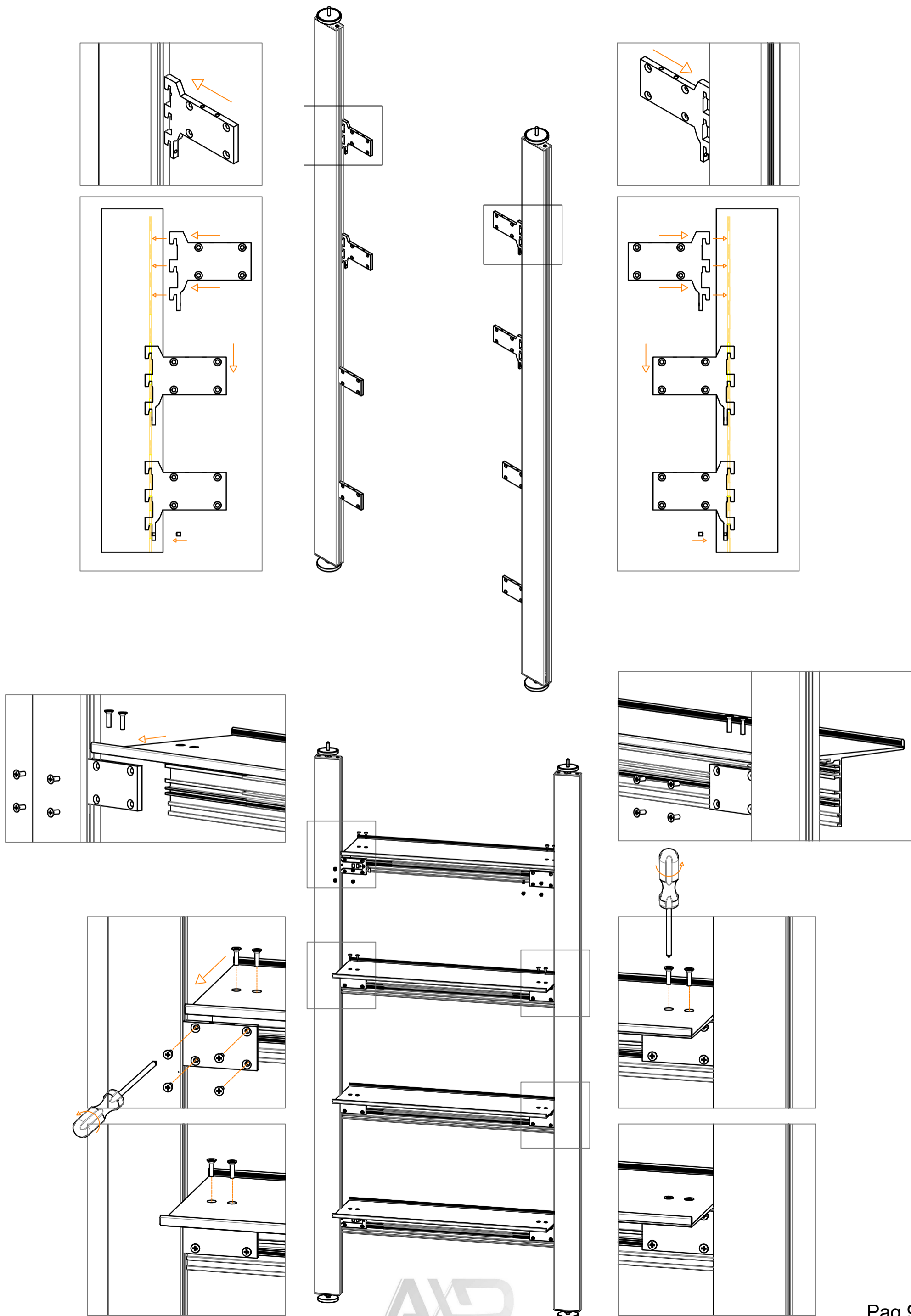
BF-914 adjustment 0 / +10 mm

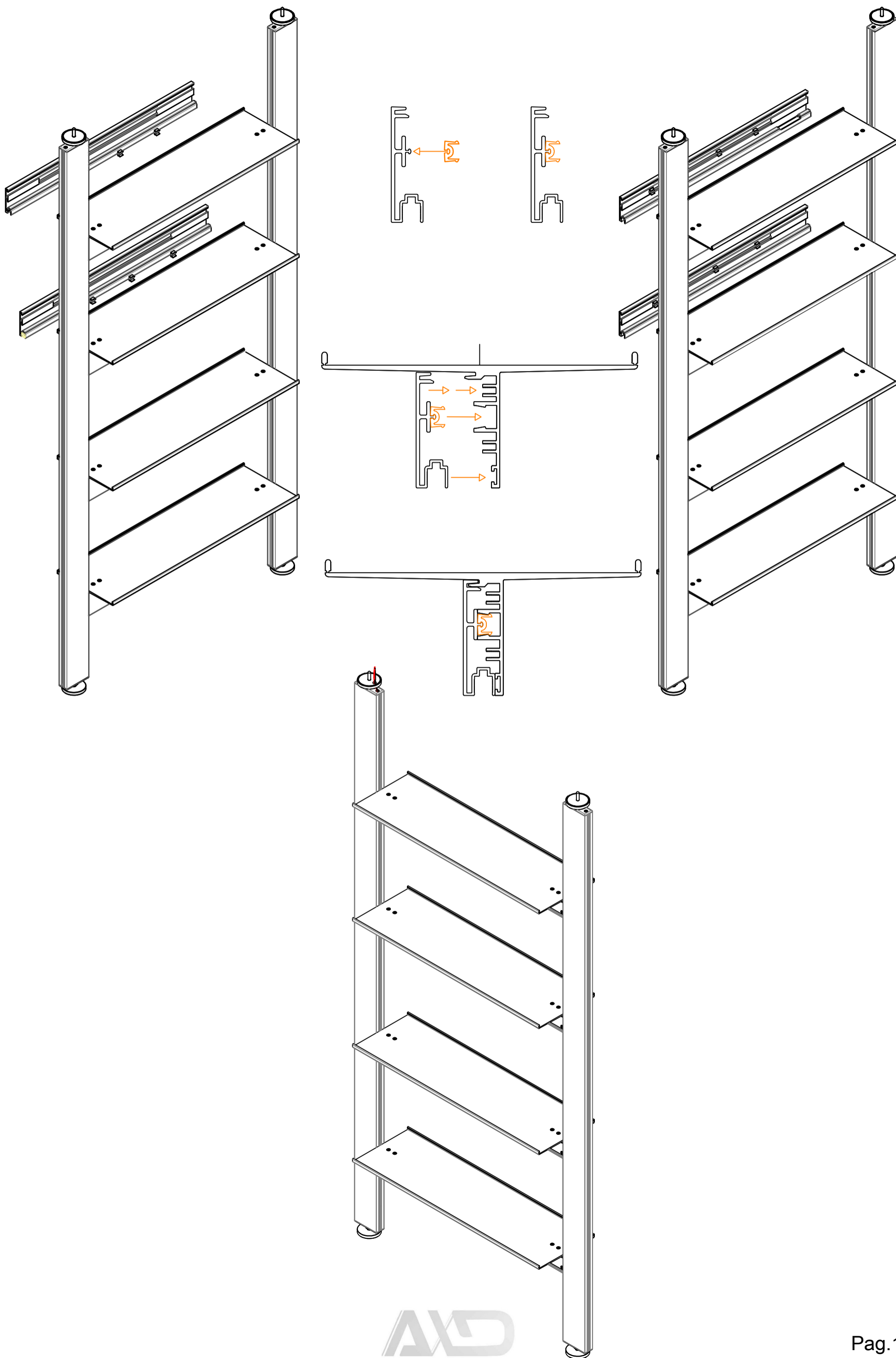






Assembling instruction: Structure in the middle of the room with shelves

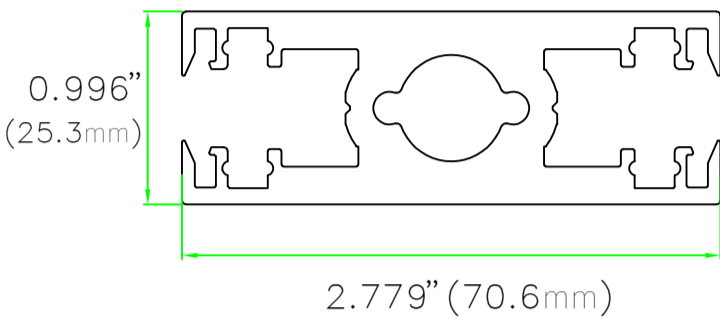




Assembling instruction:

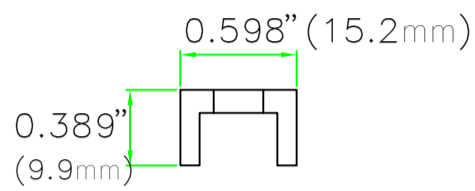
Structure in the middle of the room with Lait shelves and wooden shelves

electricified Vertical profile



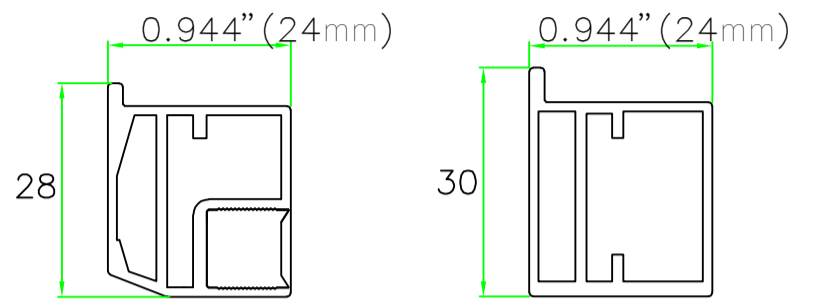
FY-70

Rack profile



BF-914

Lait Shelves profile

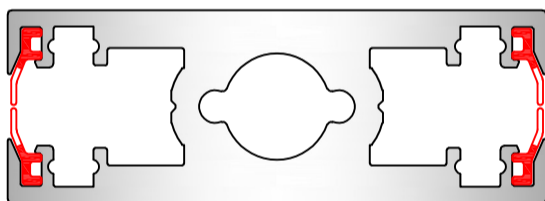


LA-2524

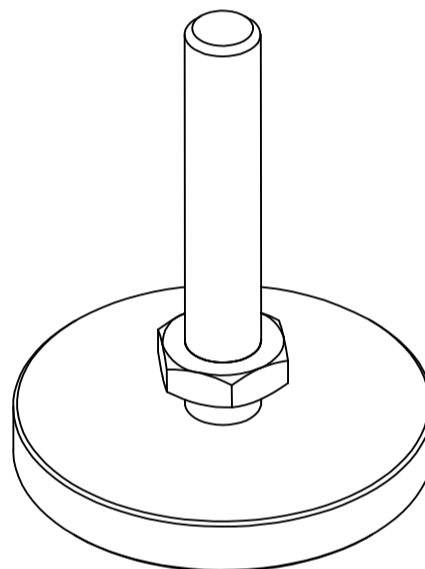
LA-1050

GU-O-Lung 118.110"
(3000mm)

Gasket fume color

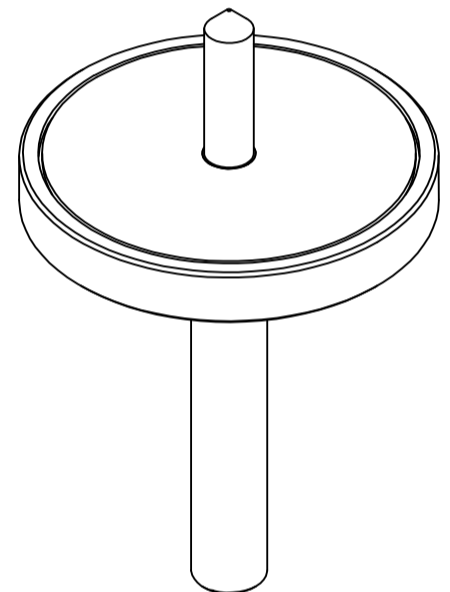


Floor foot



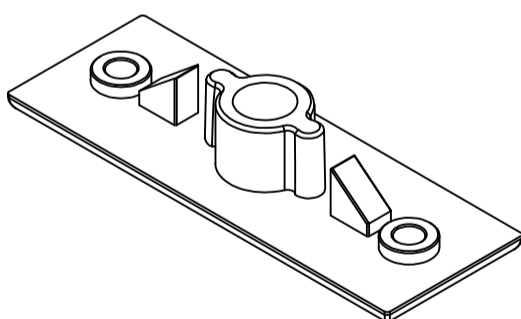
F-PI

ceiling foot



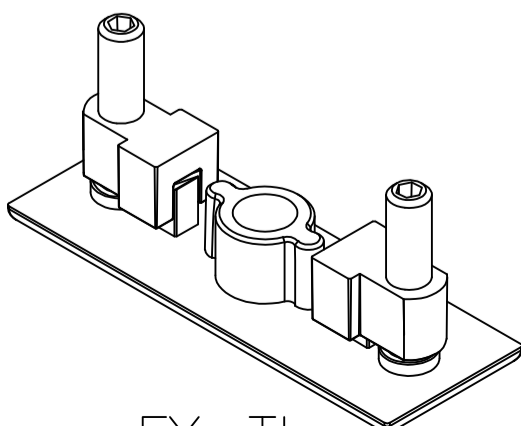
F-PS

Upper cap



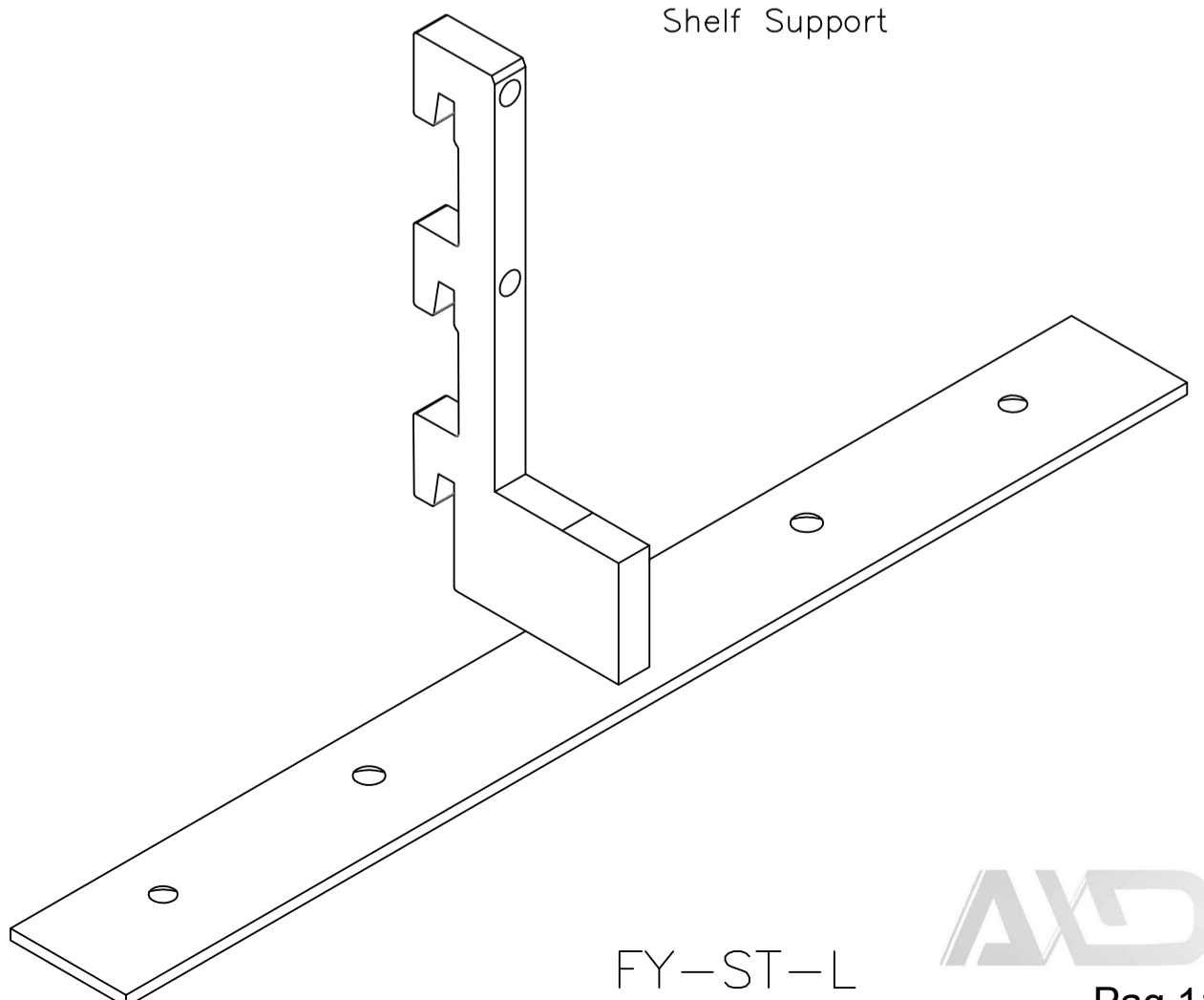
FY-TS

Lower cap with set screw
for rack adjustment

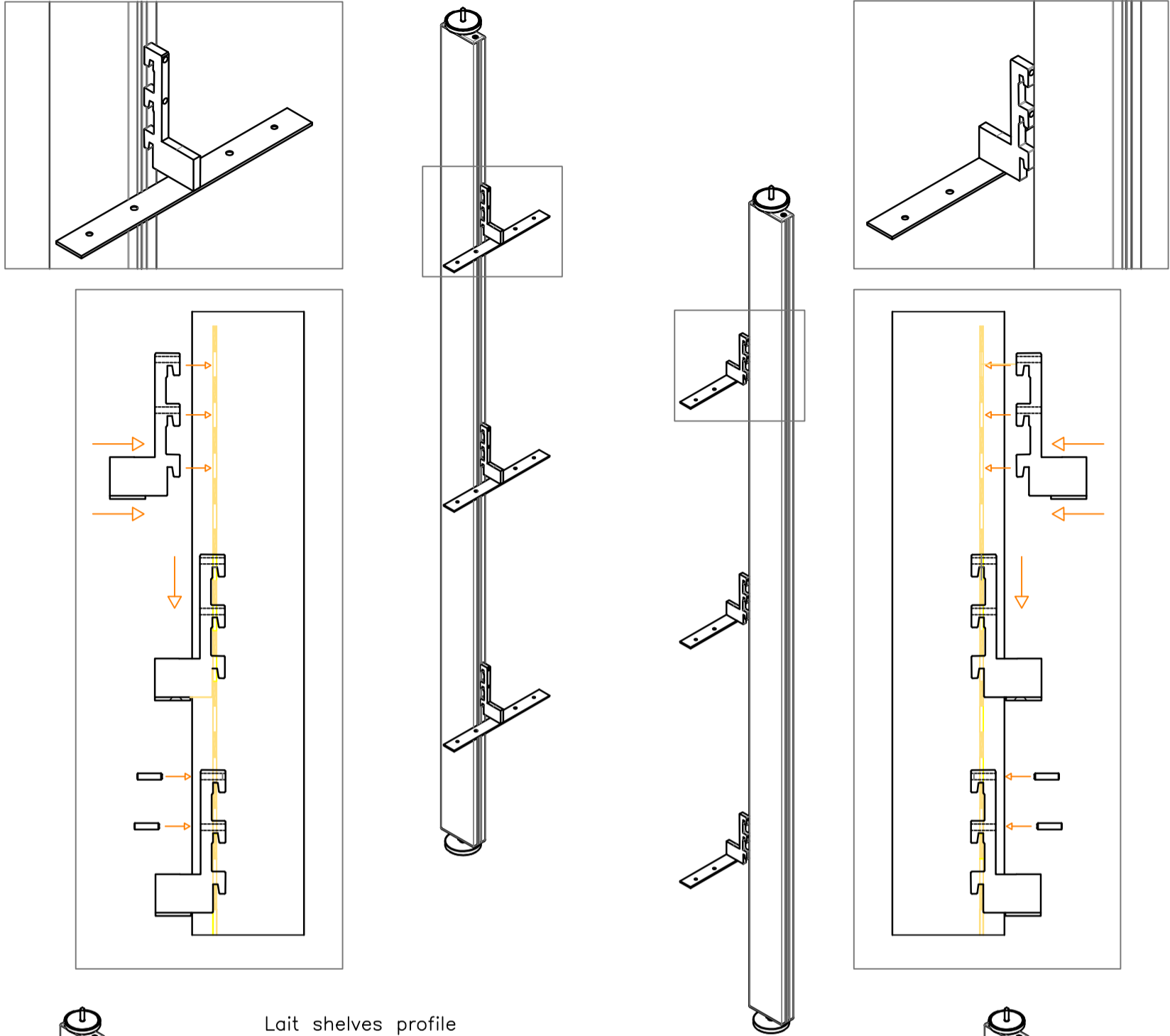


FY-TI

Lait and wooden (min.thickness 0.472" (25mm))
Shelf Support



FY-ST-L

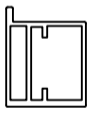


Lait shelves profile

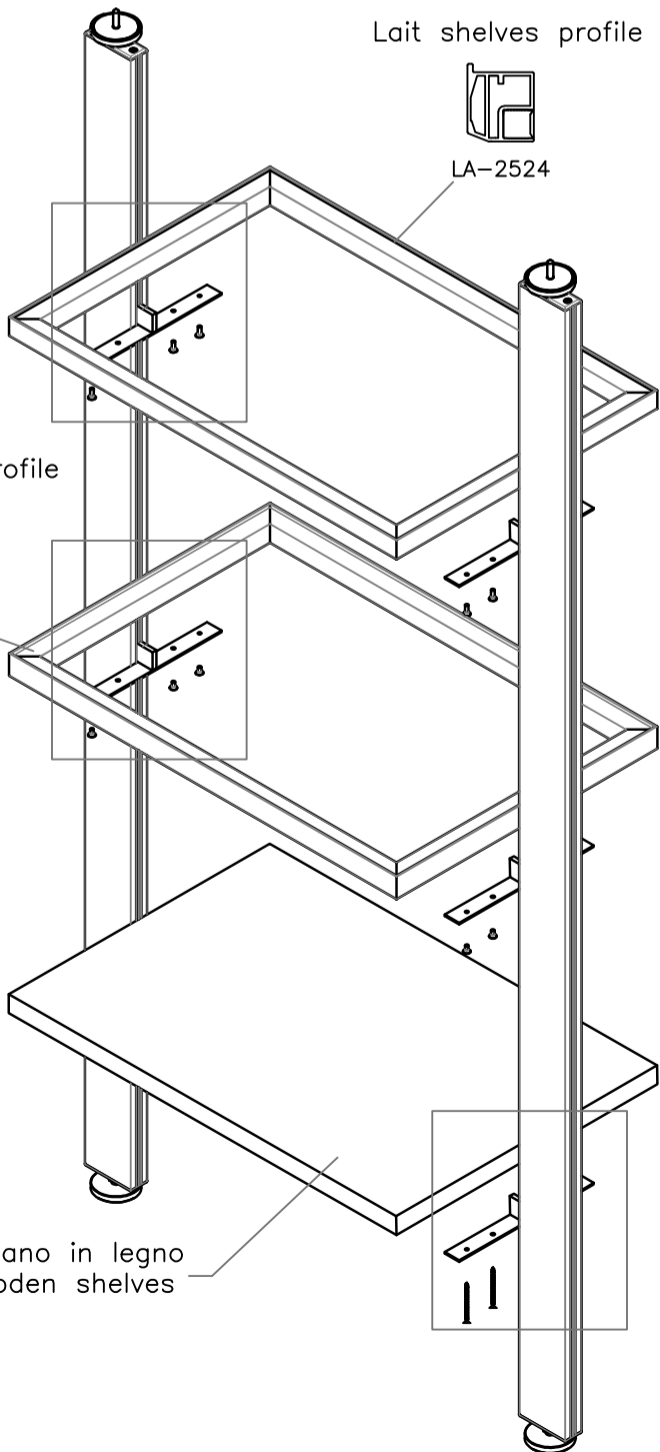


LA-2524

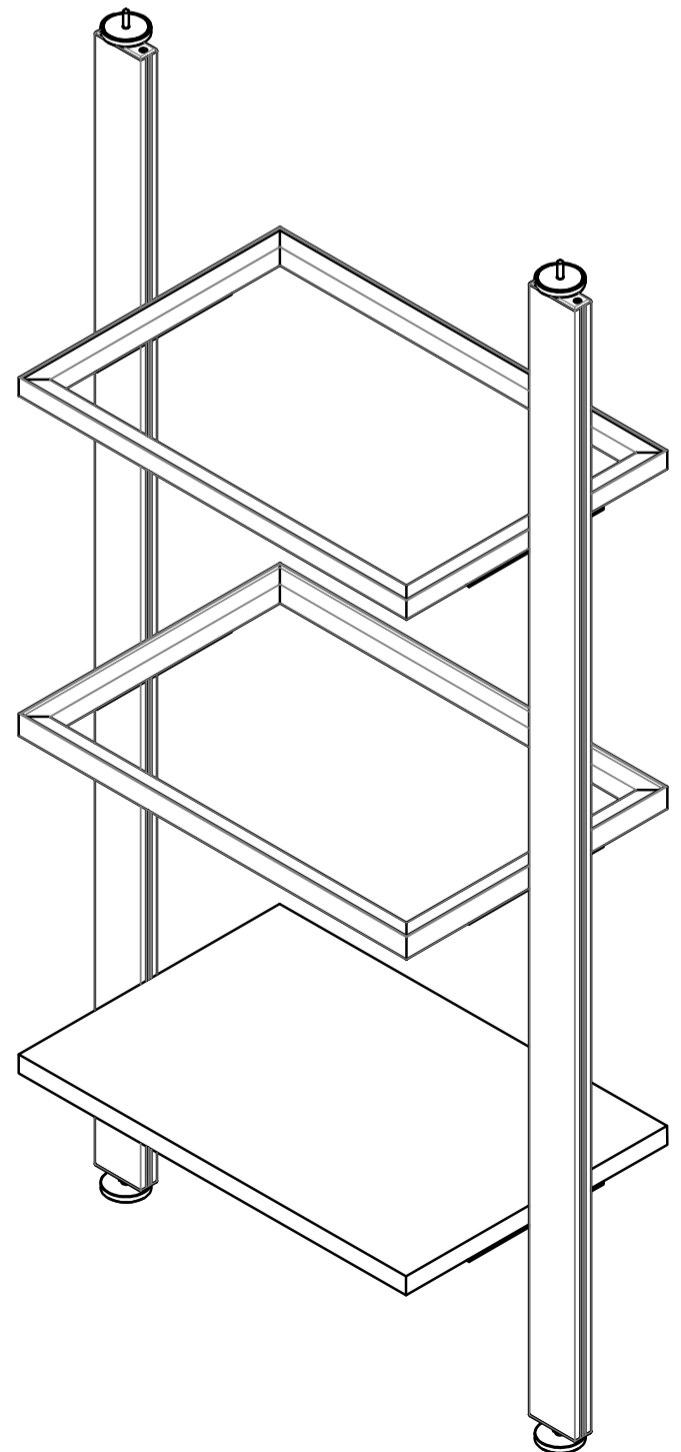
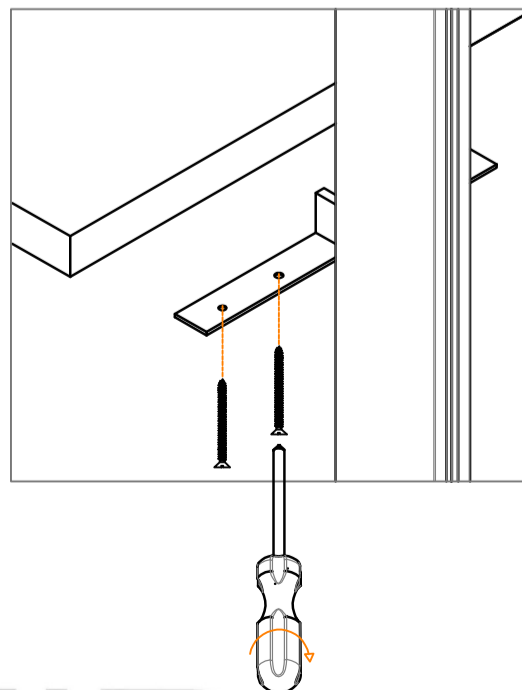
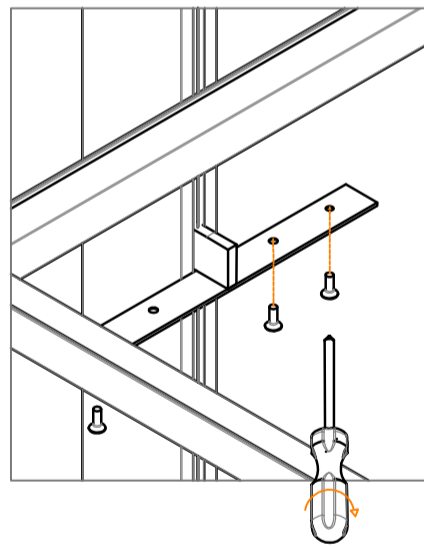
Lait shelves profile



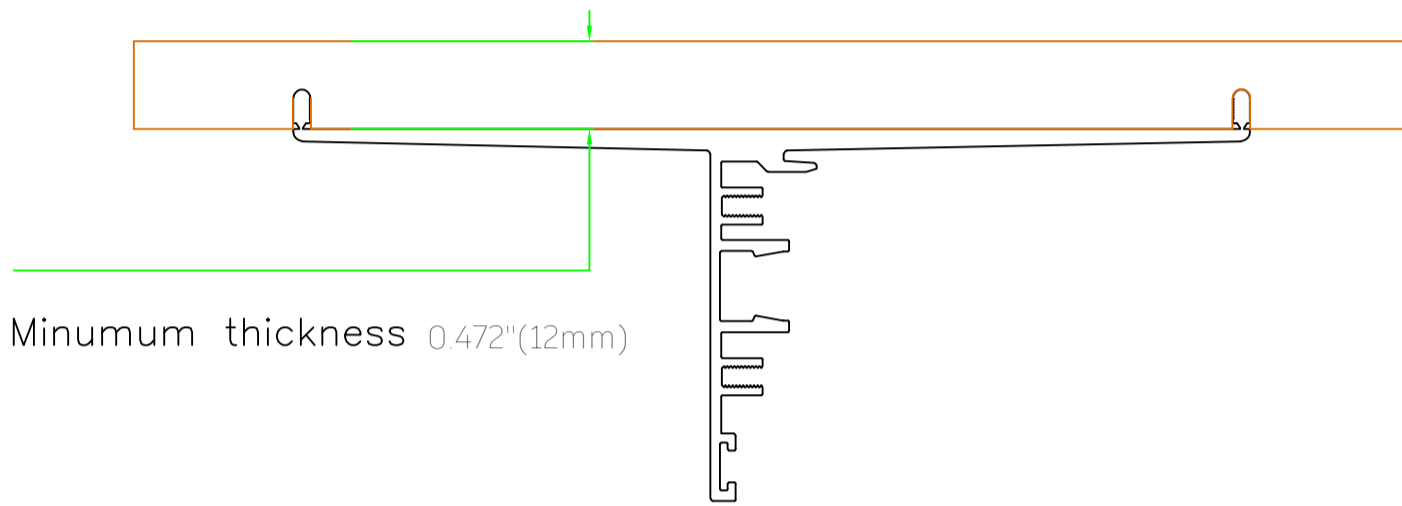
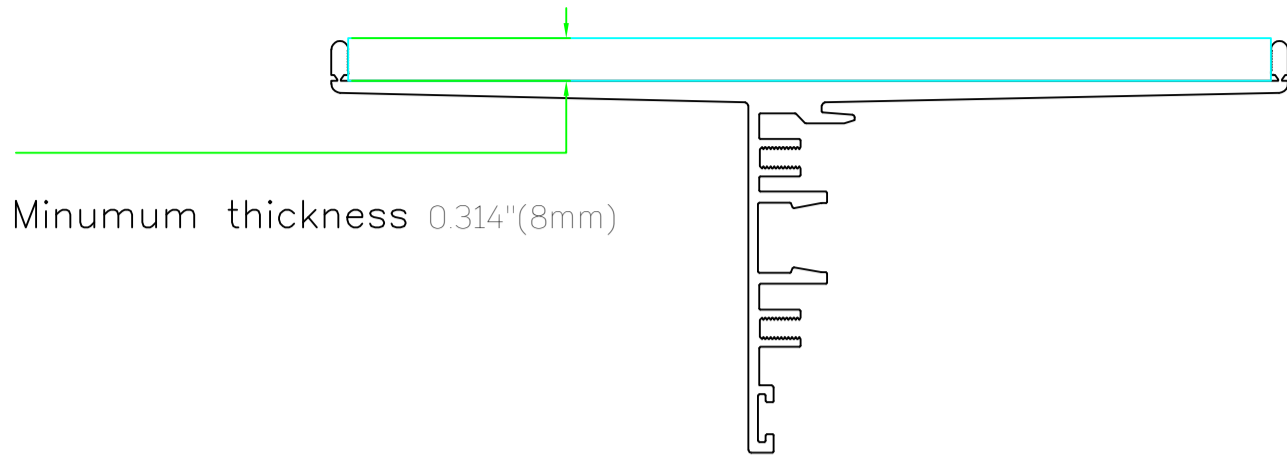
LA-1050



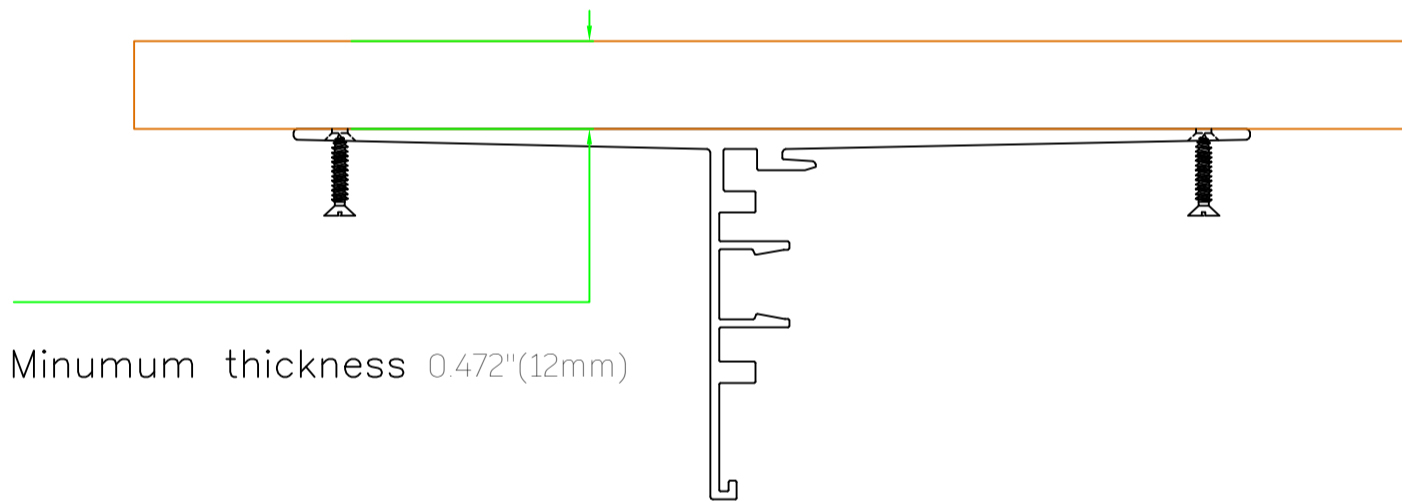
Ripiano in legno
Wooden shelves



Fly shelf with glass or wood

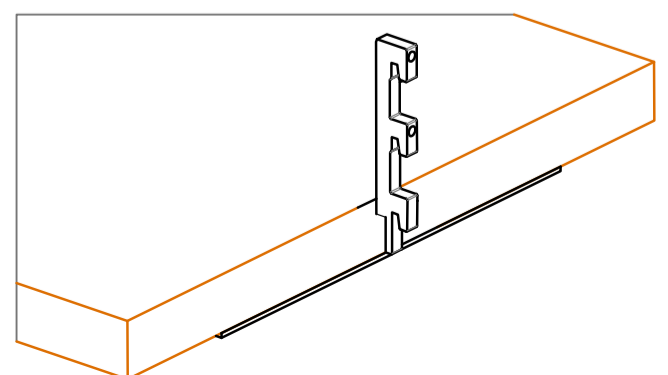
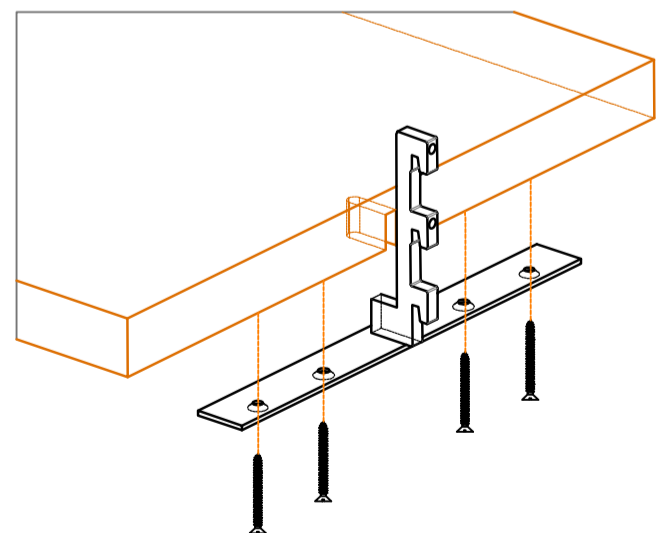
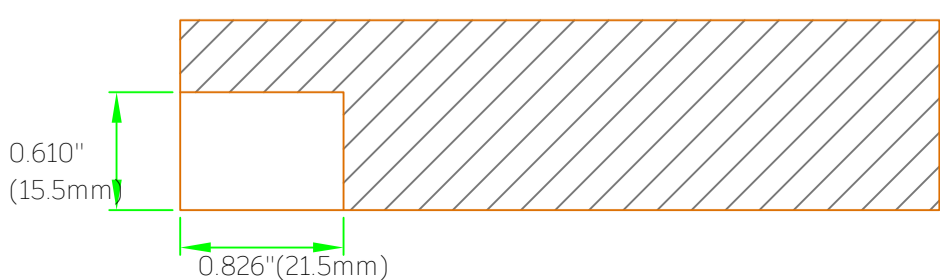
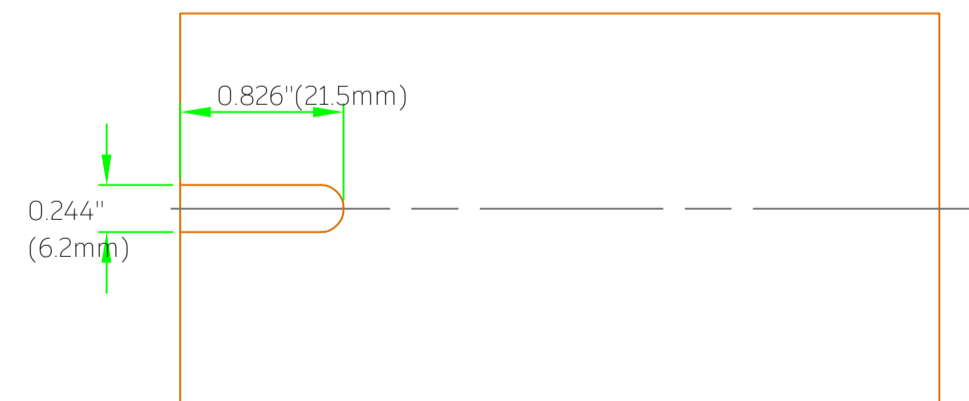


FY-M180



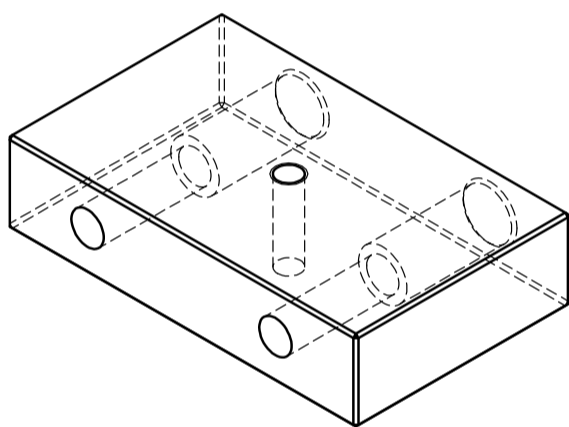
FY-M180N

Fly wooden shelf working detail



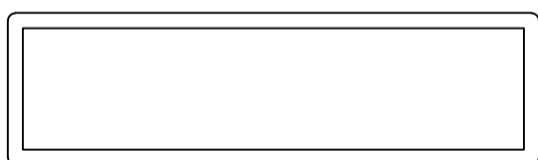
Profiles and accessories for Fly to the wall

Connecting joint block for vertical profile



FY-BLOC-ALL

Horizontal prof'



FY-70x20x2-GR

