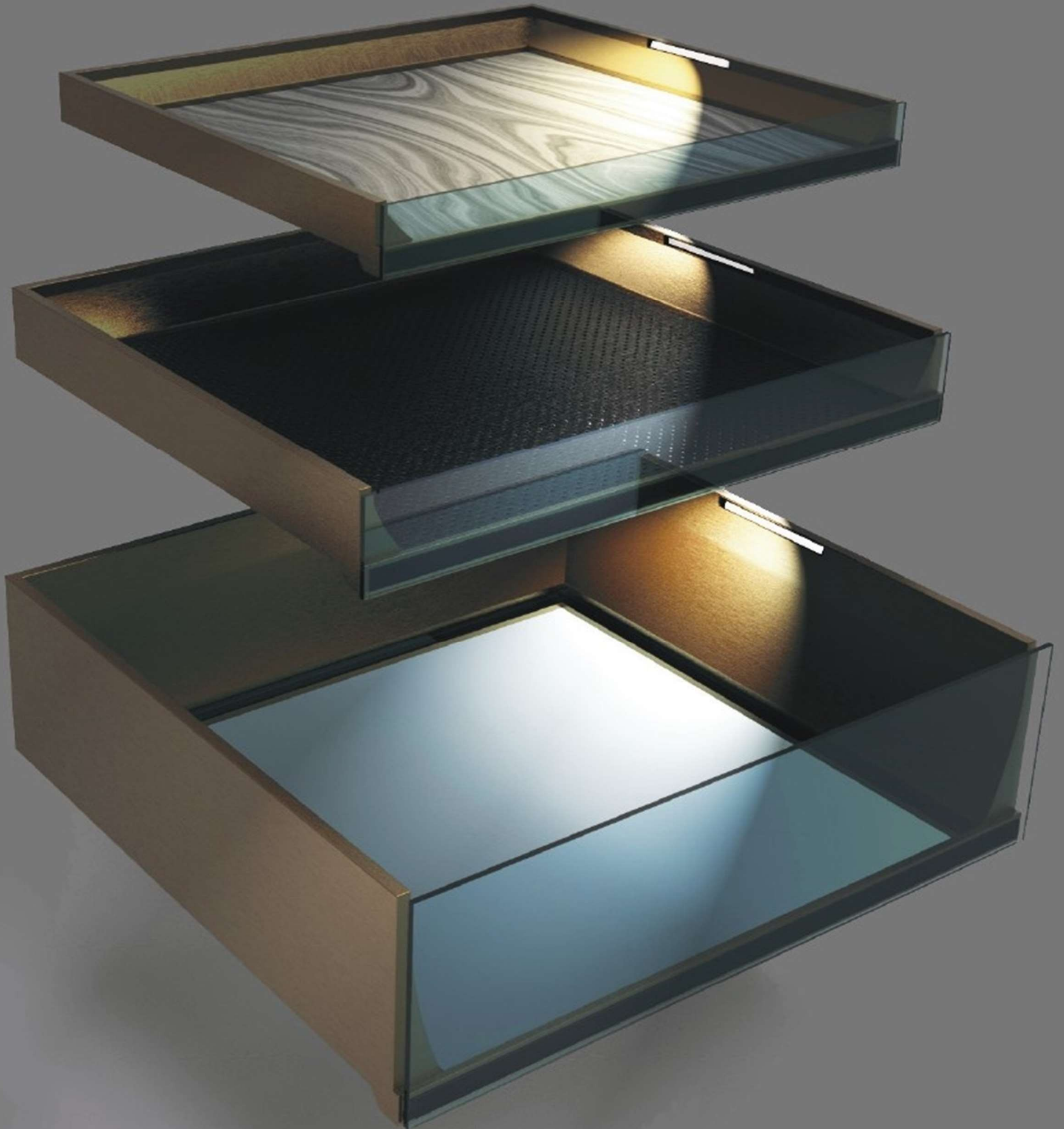
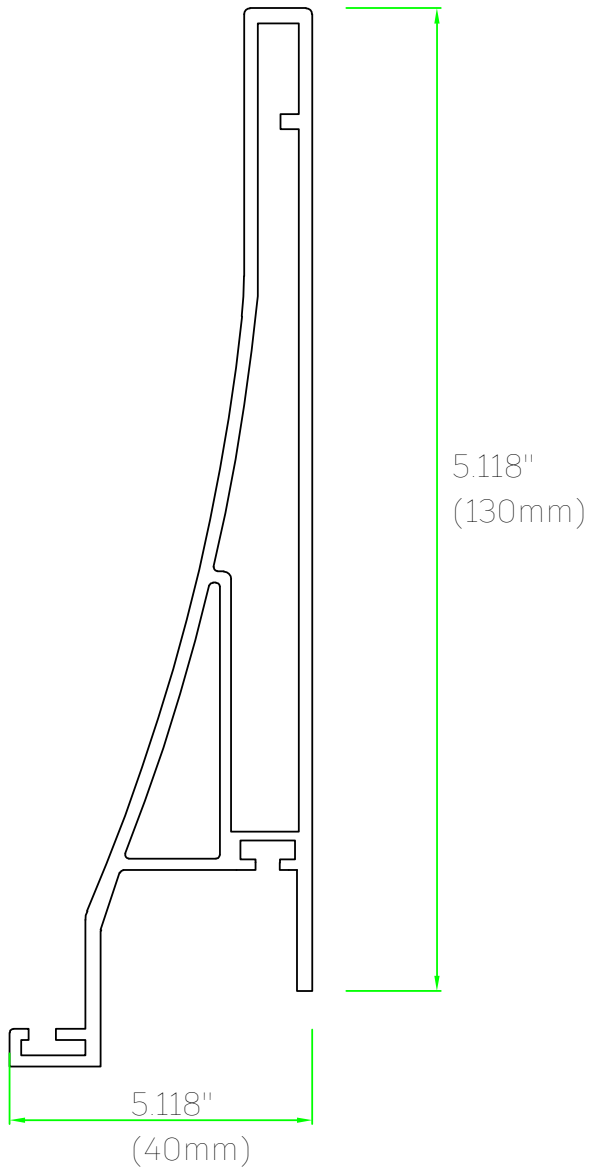


My Be

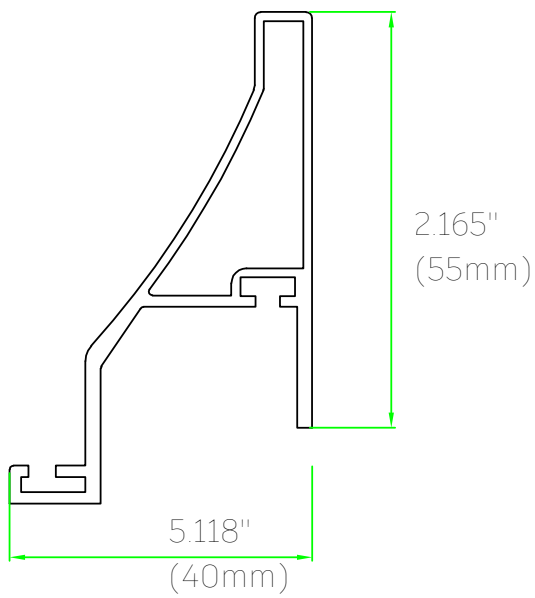


Profiles and accessories for My Be drawers and trays



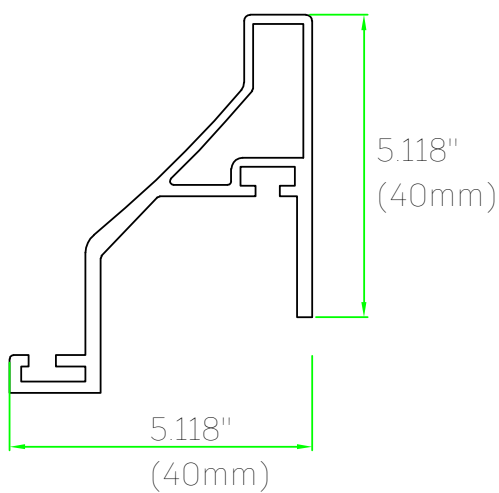
MB-130

Drawer profile height 130 mm (5.118")



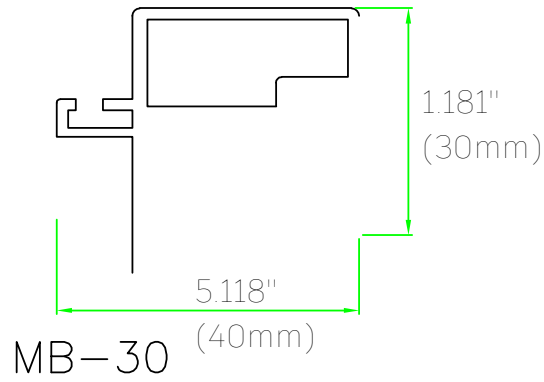
MB-55

Drawer profile height 55 mm (2.165")



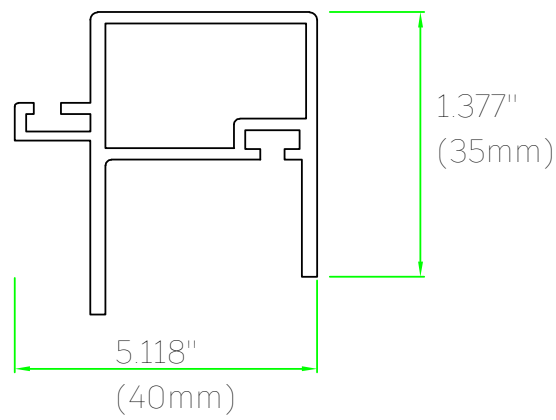
MB-40

Drawer profile height 40 mm



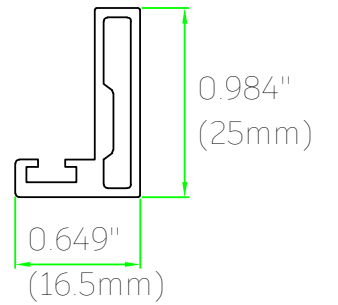
MB-30

Tray profile height 30 mm (1.181")



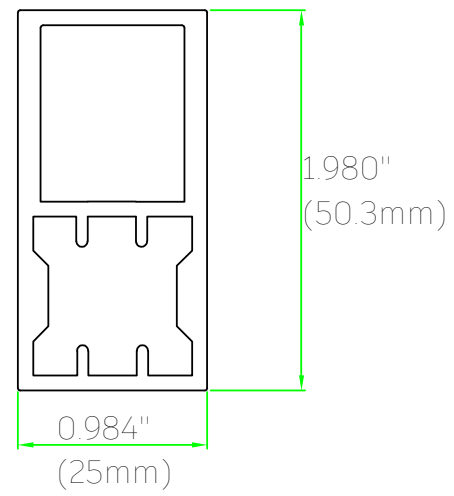
MB-35

Tray profile height 35 mm (1.377")



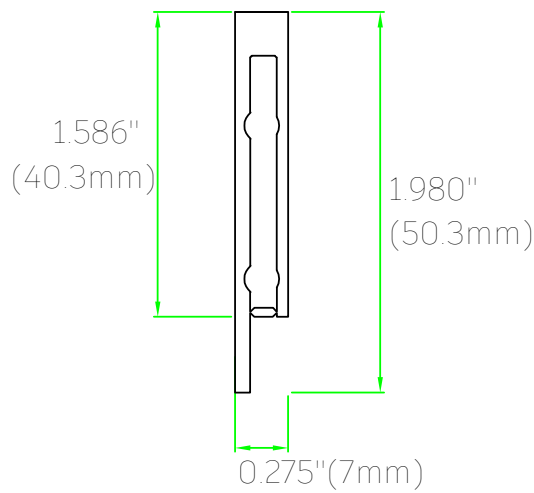
MB-F20

connecting profile for front drawer



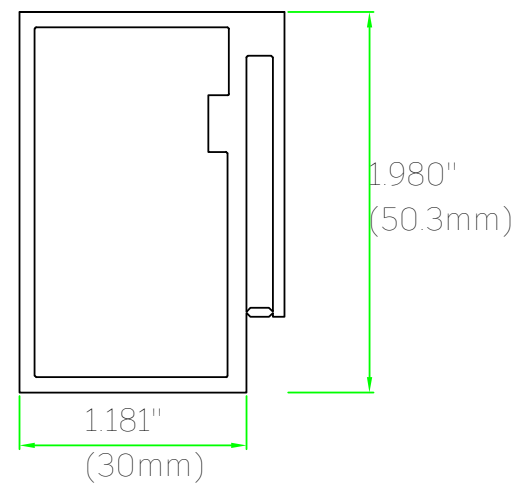
OL-2550

Horizontal profile



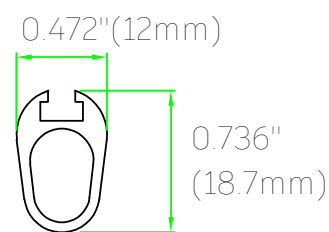
MB-750

Drawer spacer profile



MB-3550

Drawer spacer profile



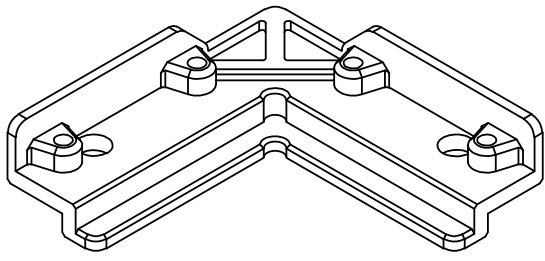
MB-1912

Tube Trousers hanger



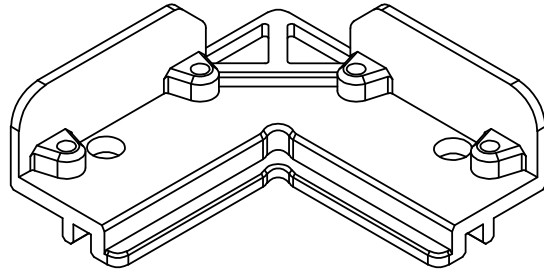
MB-GU-N
Gasket





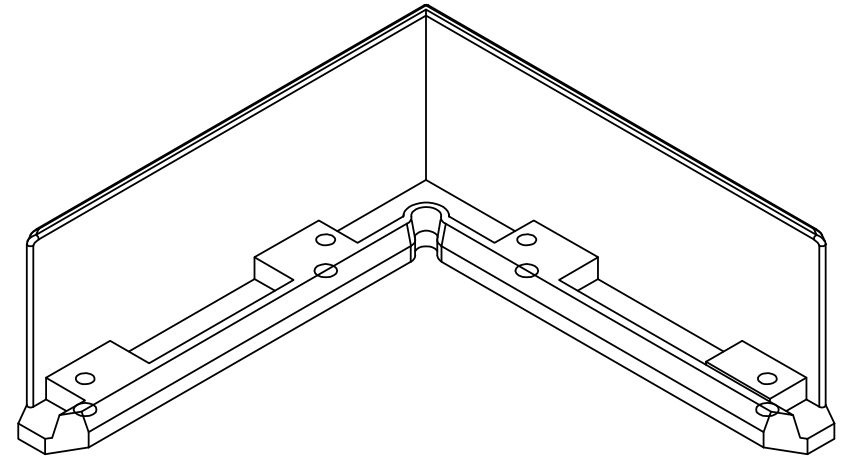
MB-G-40

Connecting joint for drawers height 40 mm (1.574")



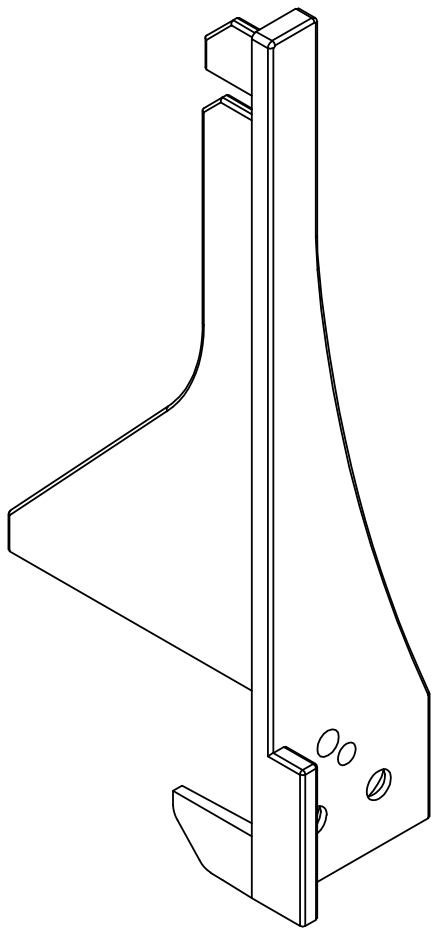
MB-G-55

Connecting joint for drawers height 55 mm (2.165")



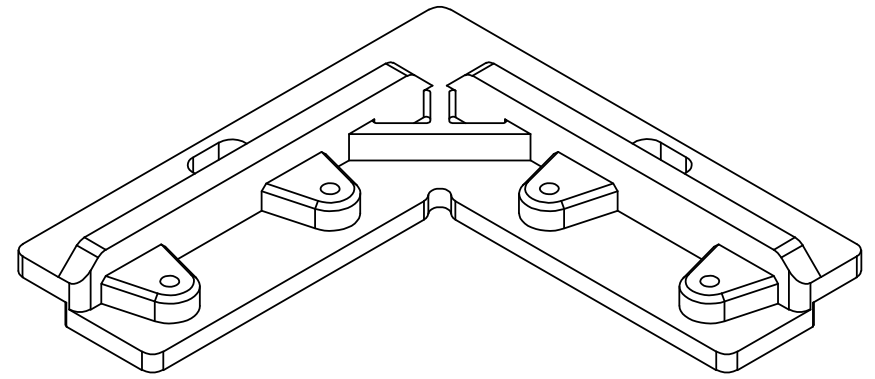
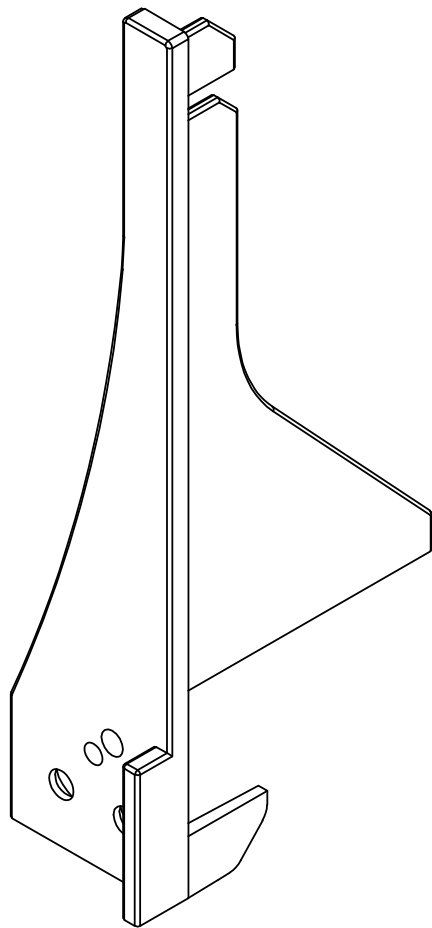
MB-G-130

Connecting joint for drawers height 130 mm (5.118")



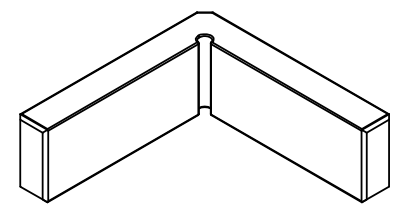
MB-T-130

Couple of caps for drawers height 130 mm (5.118")



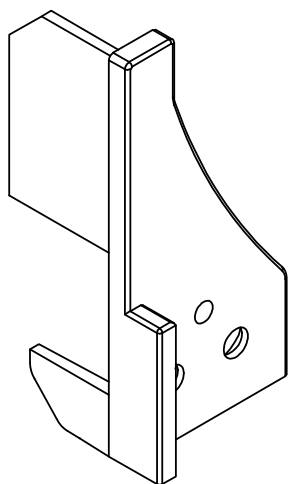
MB-G-3035

Connecting joint for Trays height 30/35 mm (1.181"/1.377")



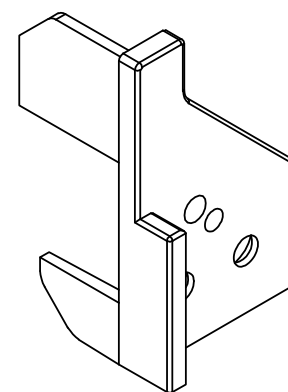
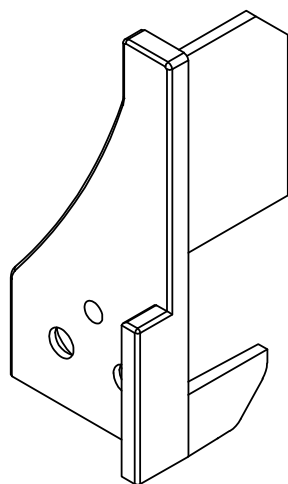
MB-SA-130

Connecting plate only for drawers height 130 mm (5.118")



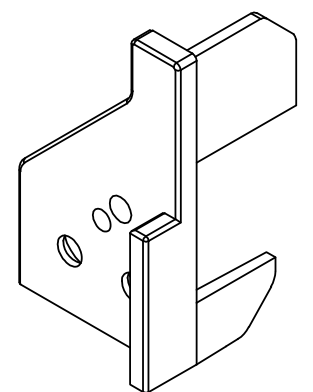
MB-T-55

Couple of caps for drawers height 55 mm (2.165")



MB-T-40

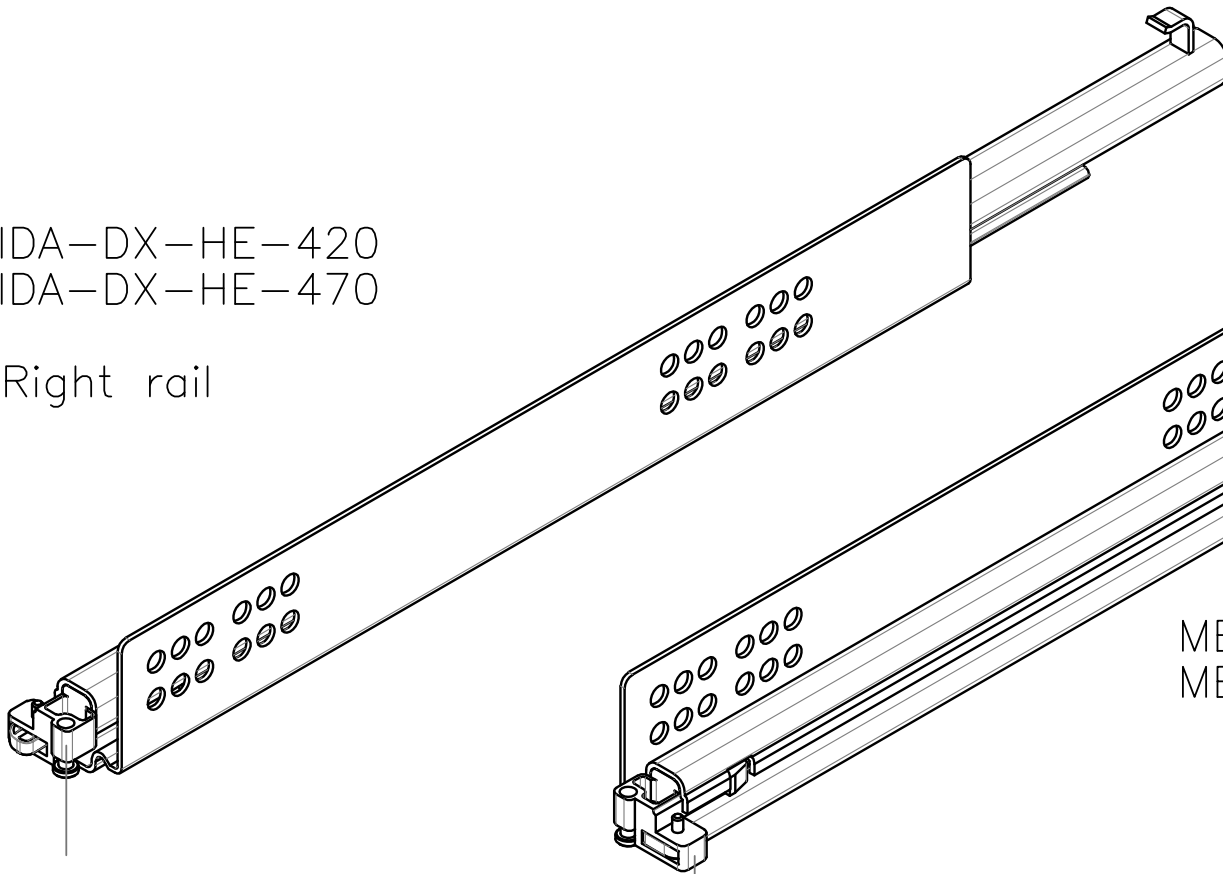
Couple of caps for drawers height 40 mm (1.574")



Kit for drawer adjustment with rail(420 mm/470 mm)
(16.535"/18.503")

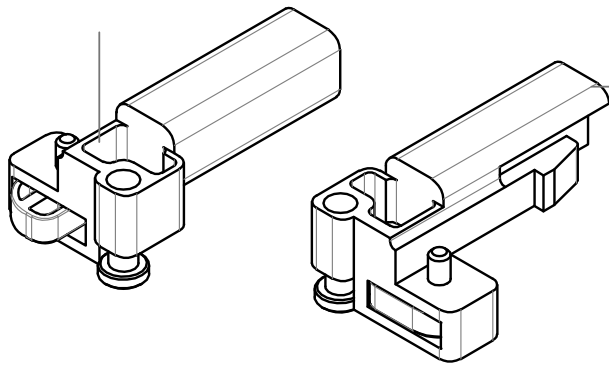
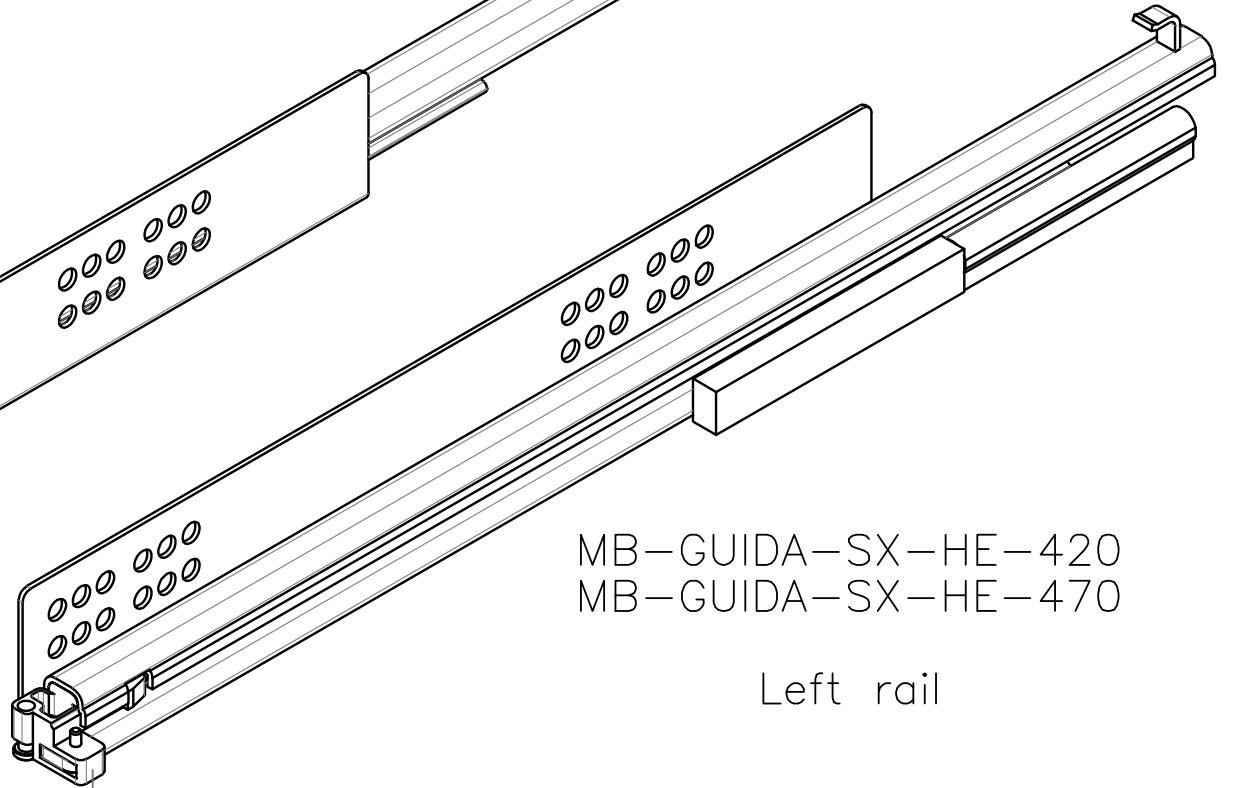
MB-GUIDA-DX-HE-420
MB-GUIDA-DX-HE-470

Right rail



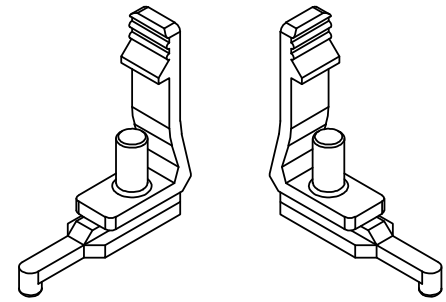
MB-GUIDA-SX-HE-420
MB-GUIDA-SX-HE-470

Left rail



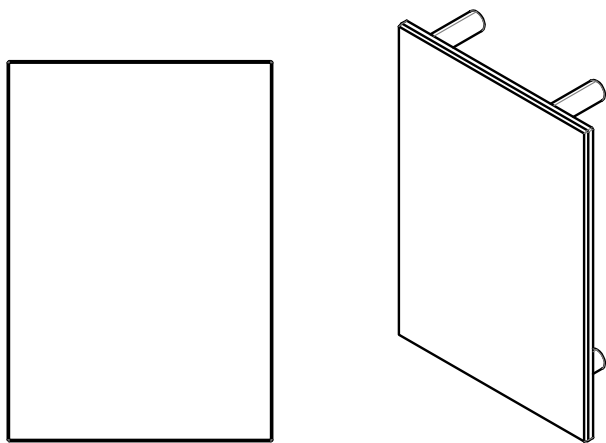
MB-REG-GUI-N

Rail adjustment



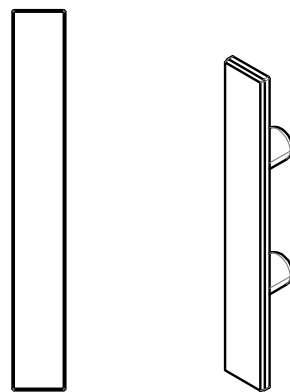
MB-AGG-GUI-REG-N

Rail hook



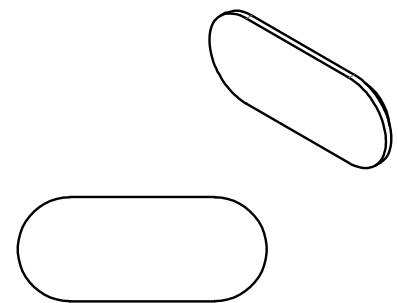
MB-T-3550

MB-3550
Cap for drawer spacer
MB-3550



MB-T-750

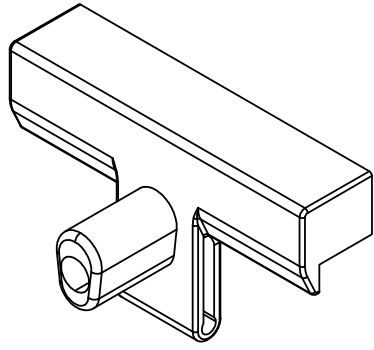
MB-750
Cap for drawer spacer
MB-750



MB-T-COP-VITI

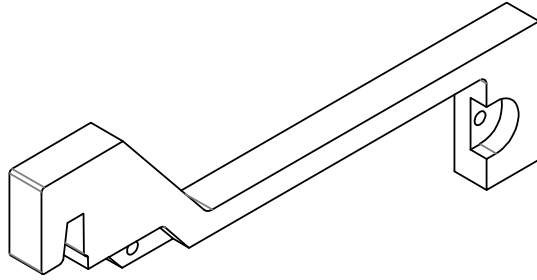
Kit of two screws cover
for spacer profile





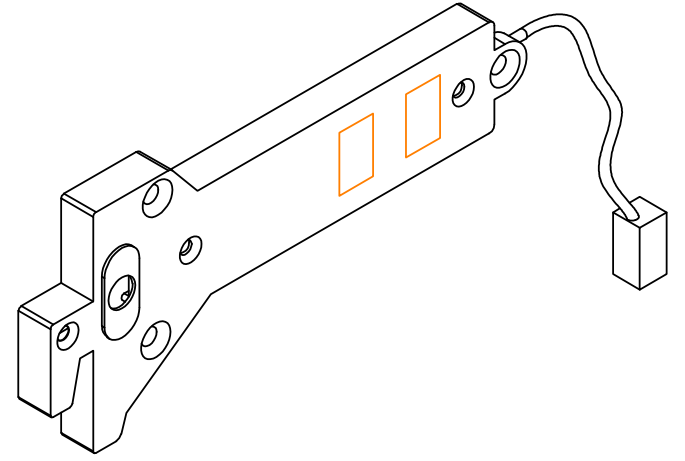
MB-PP

Trousers hanger support



MB-ST-CON-GR

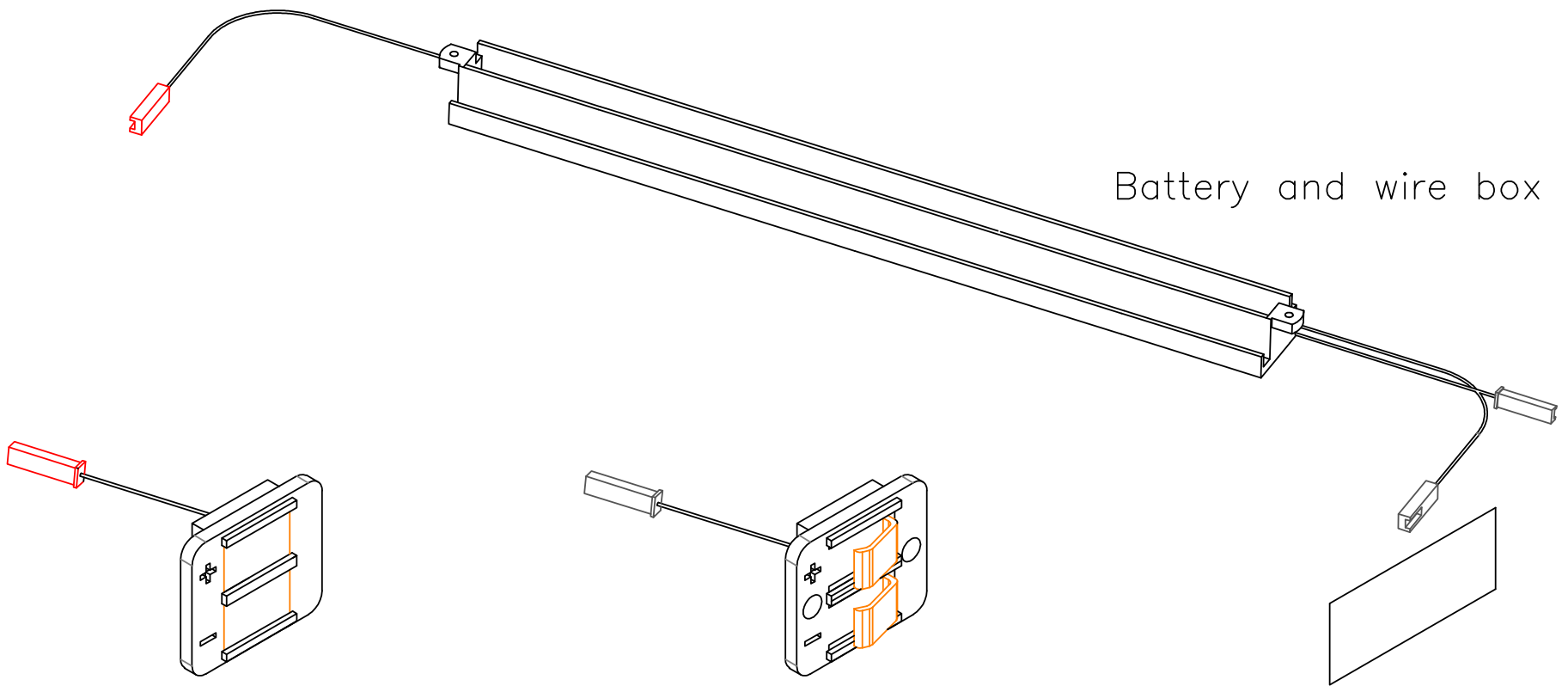
Bracket with working for electrification



MB-CONN-SG

Single connector for electrification with wires welded on contact L400 mm (15.748")

Kit for electrified drawer for 1 lamp (lamp to order apart)

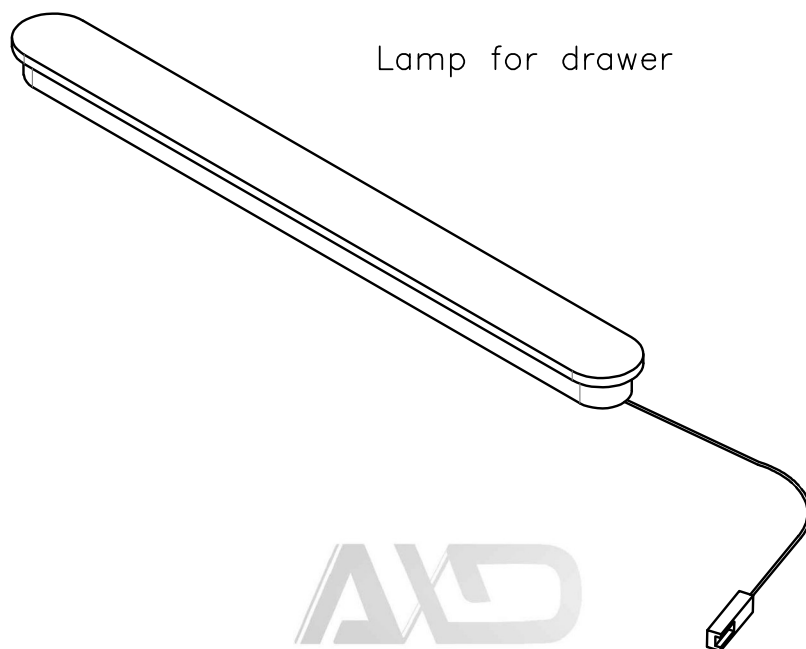


Battery and wire box

Electric connector for drawer

Electric connector for horizontal profile

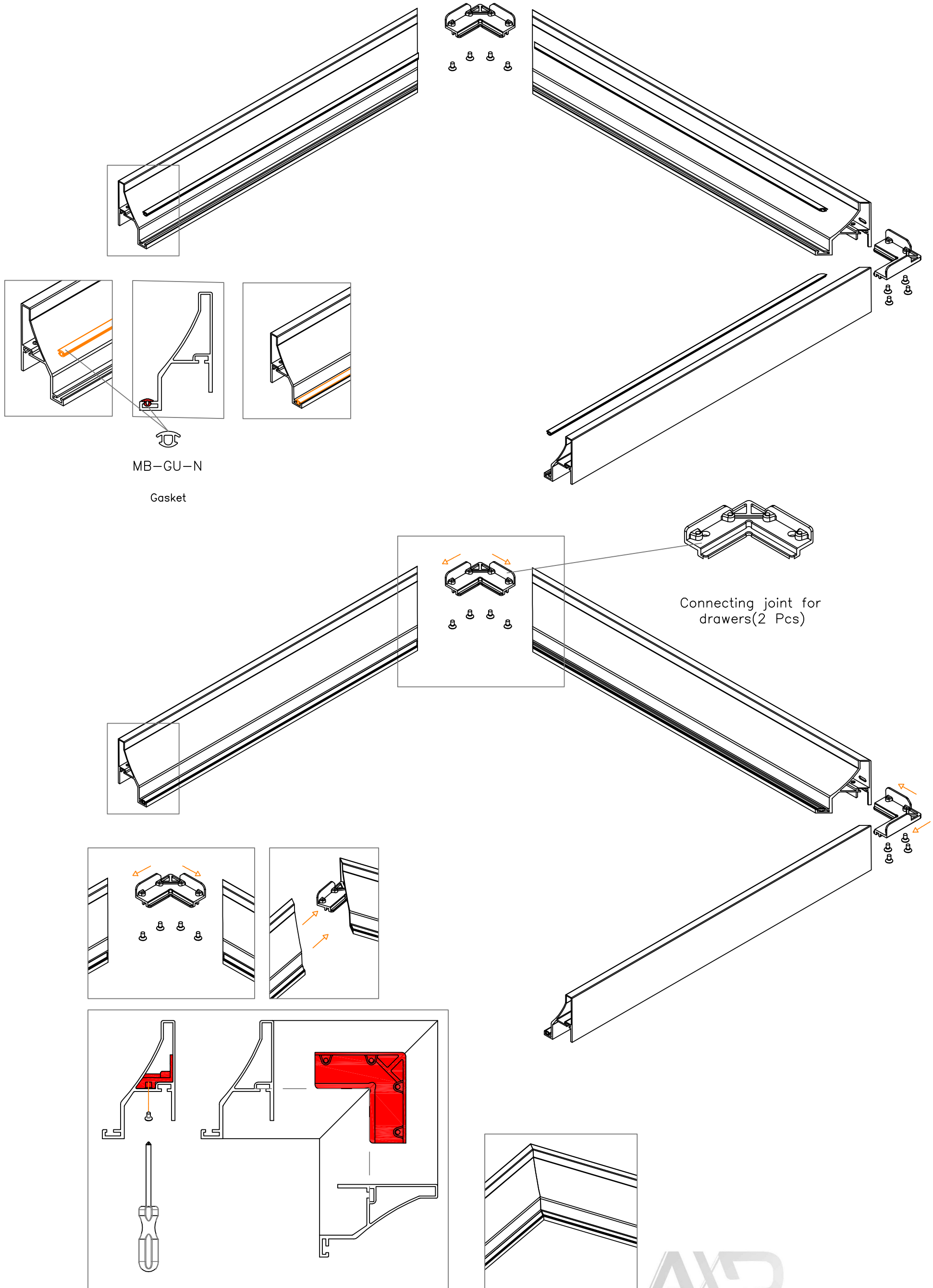
Adesive insulation cover

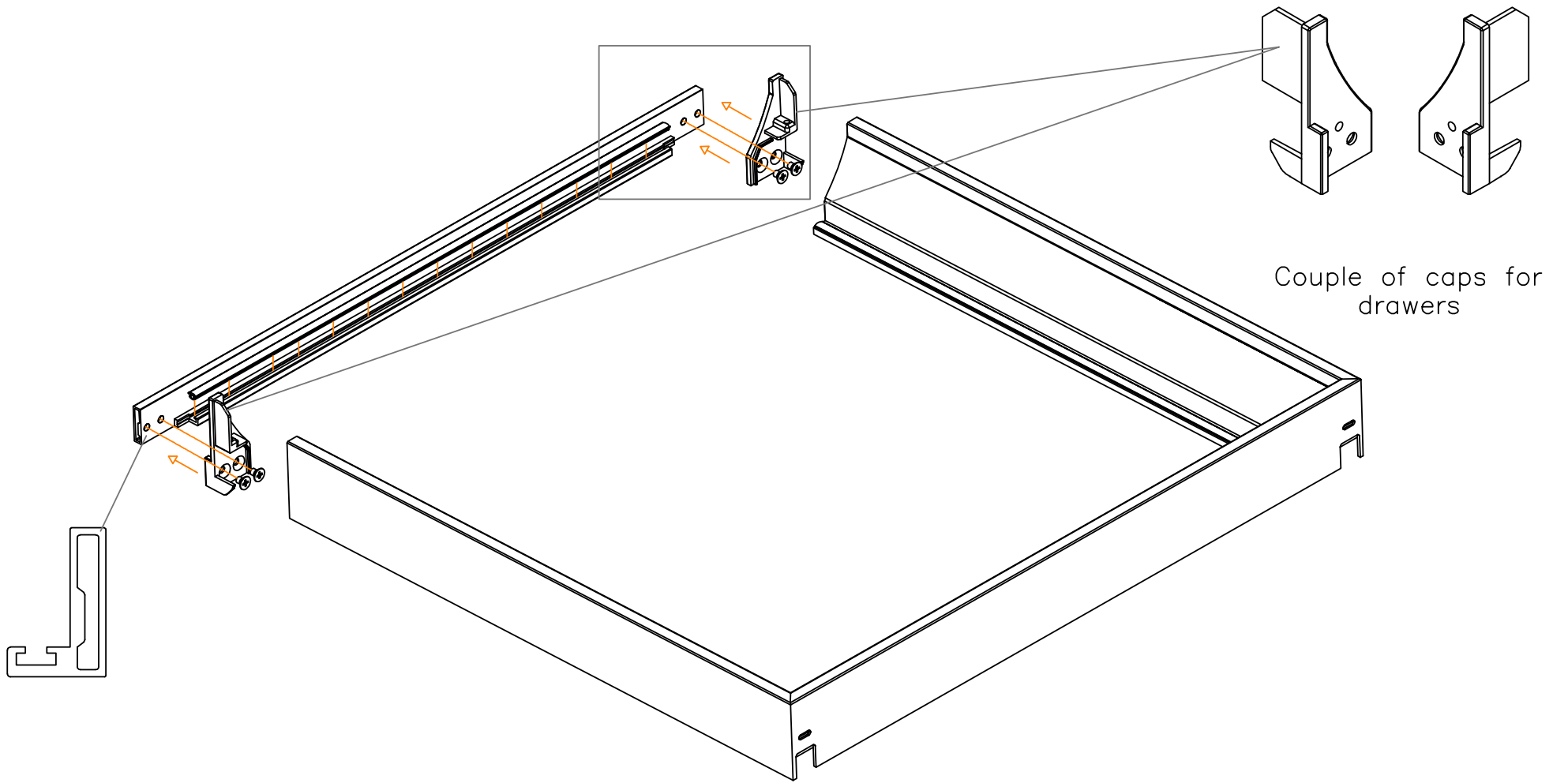


Lamp for drawer



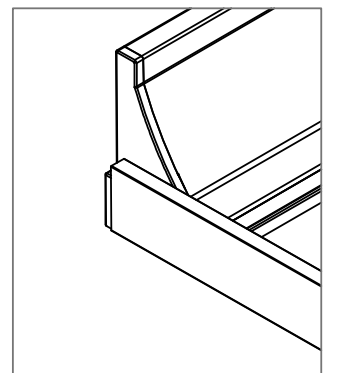
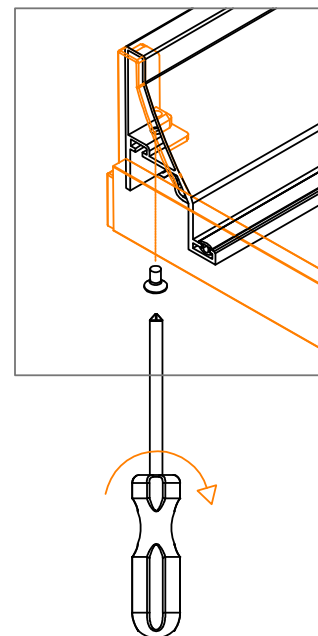
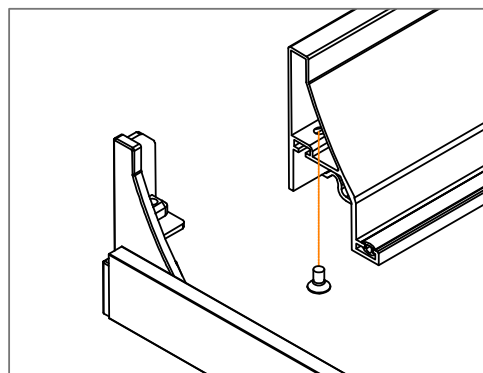
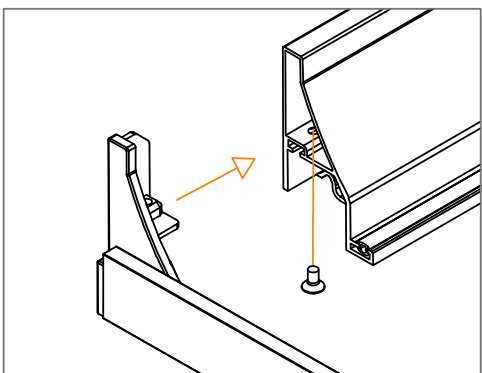
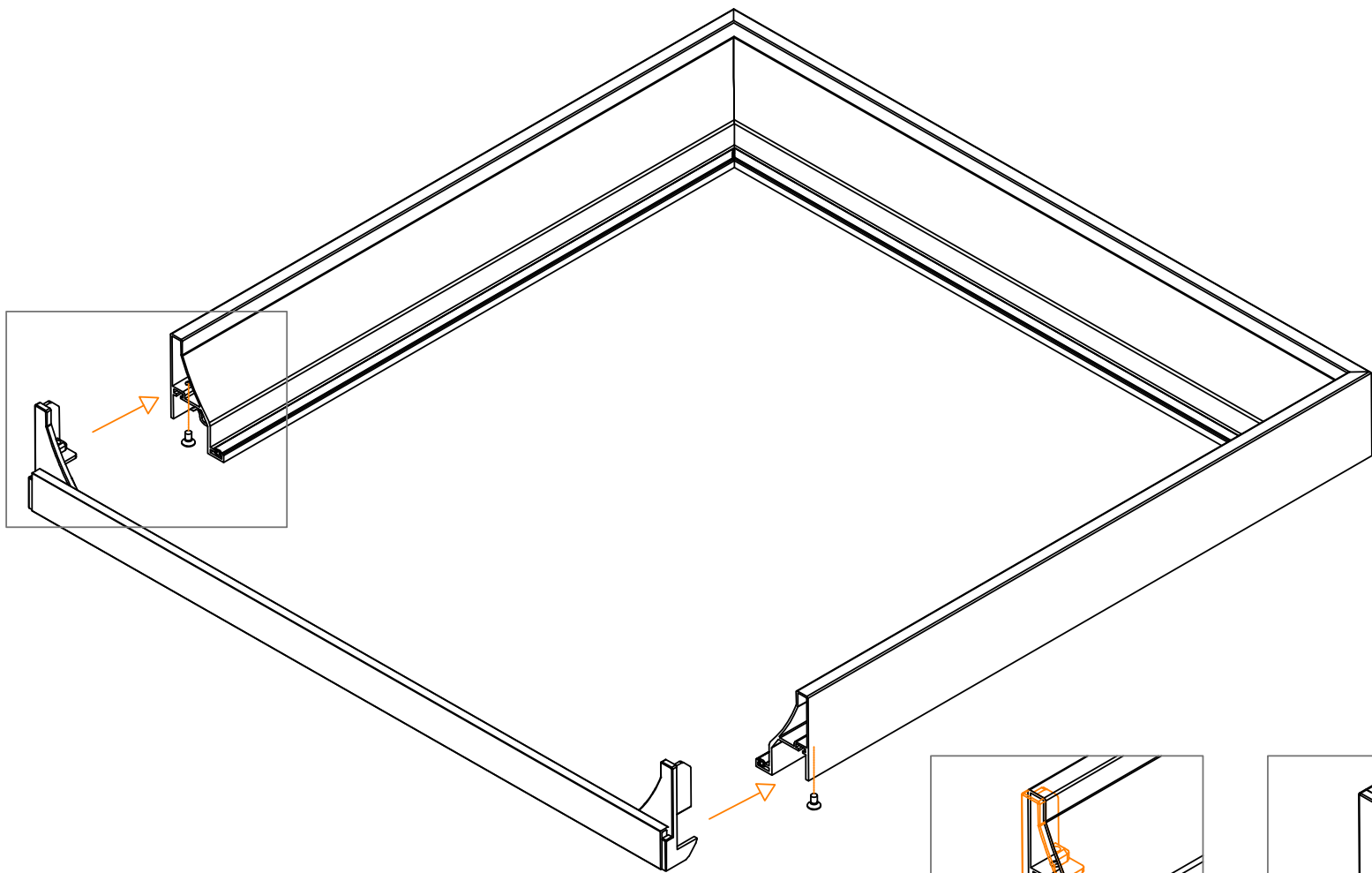
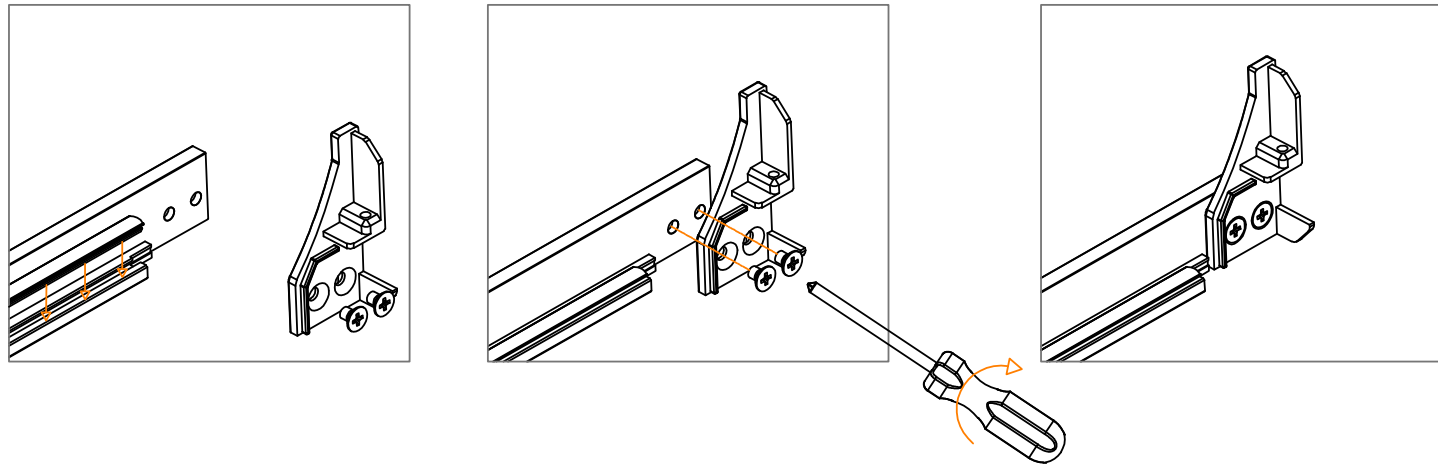
Assembly instructions: My Be drawer with glass or wood front without LED

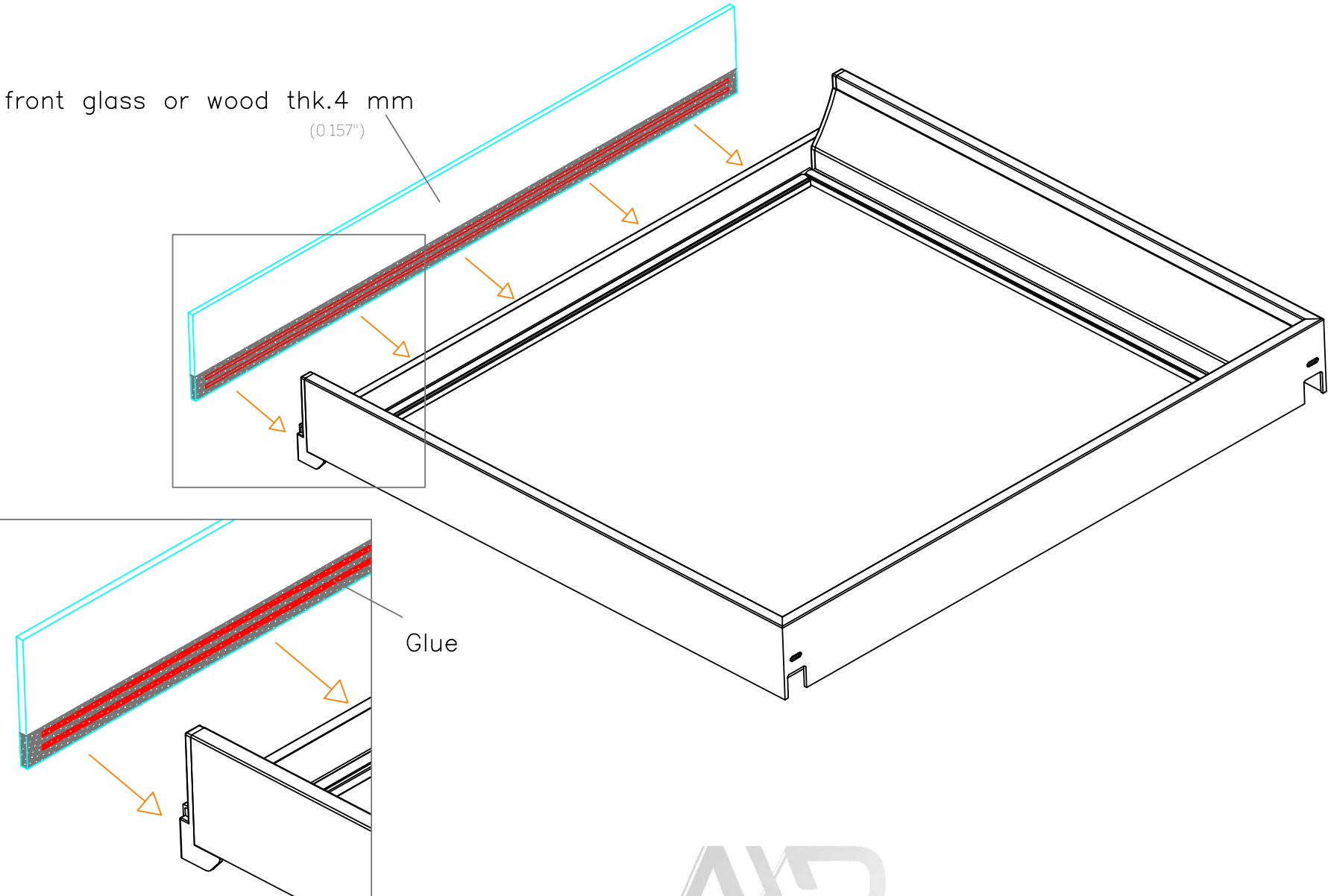
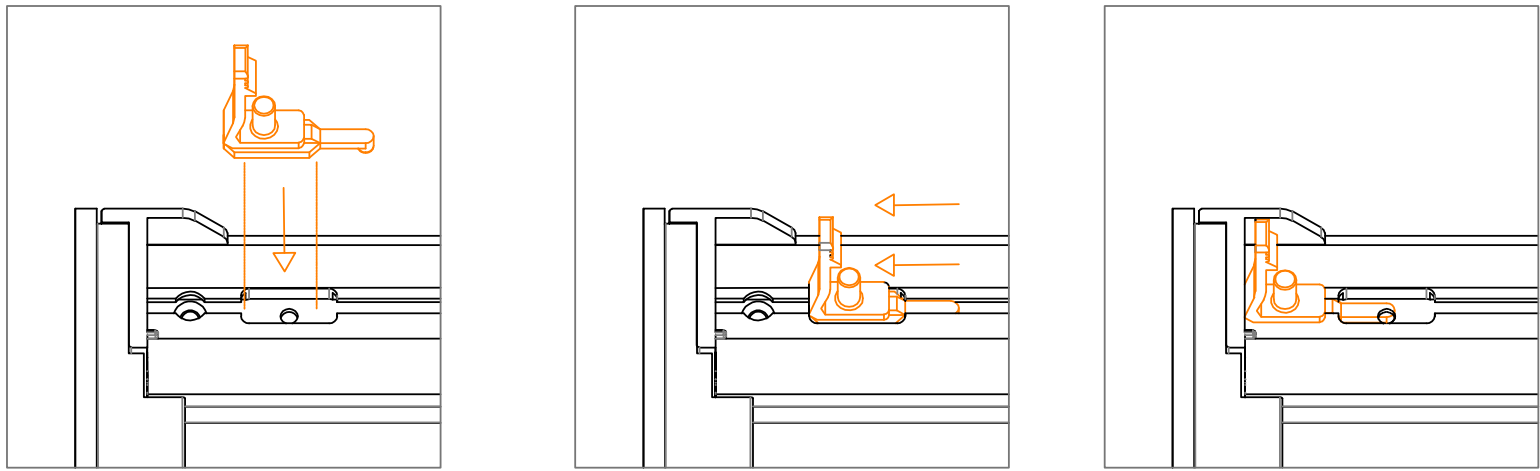
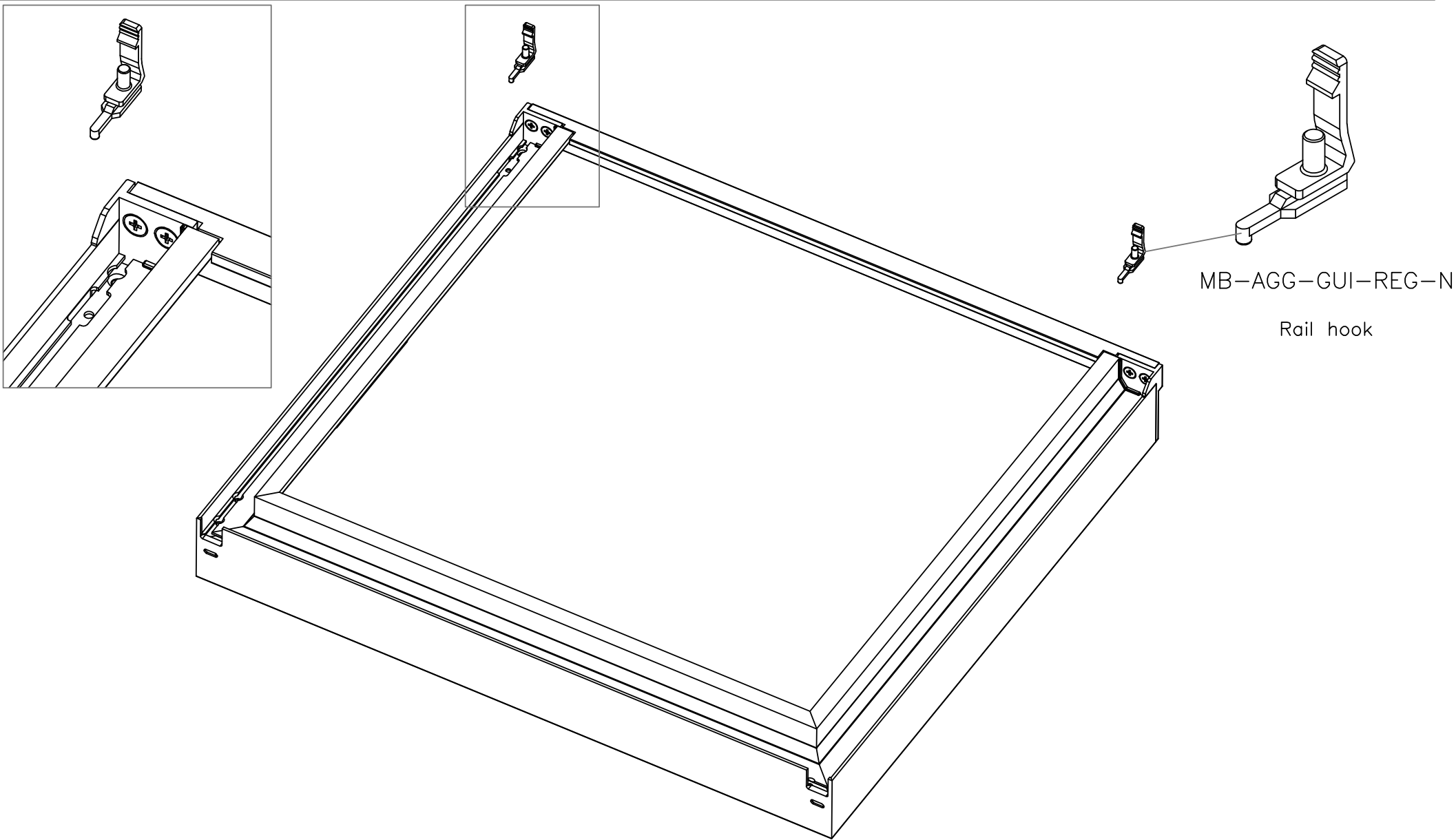


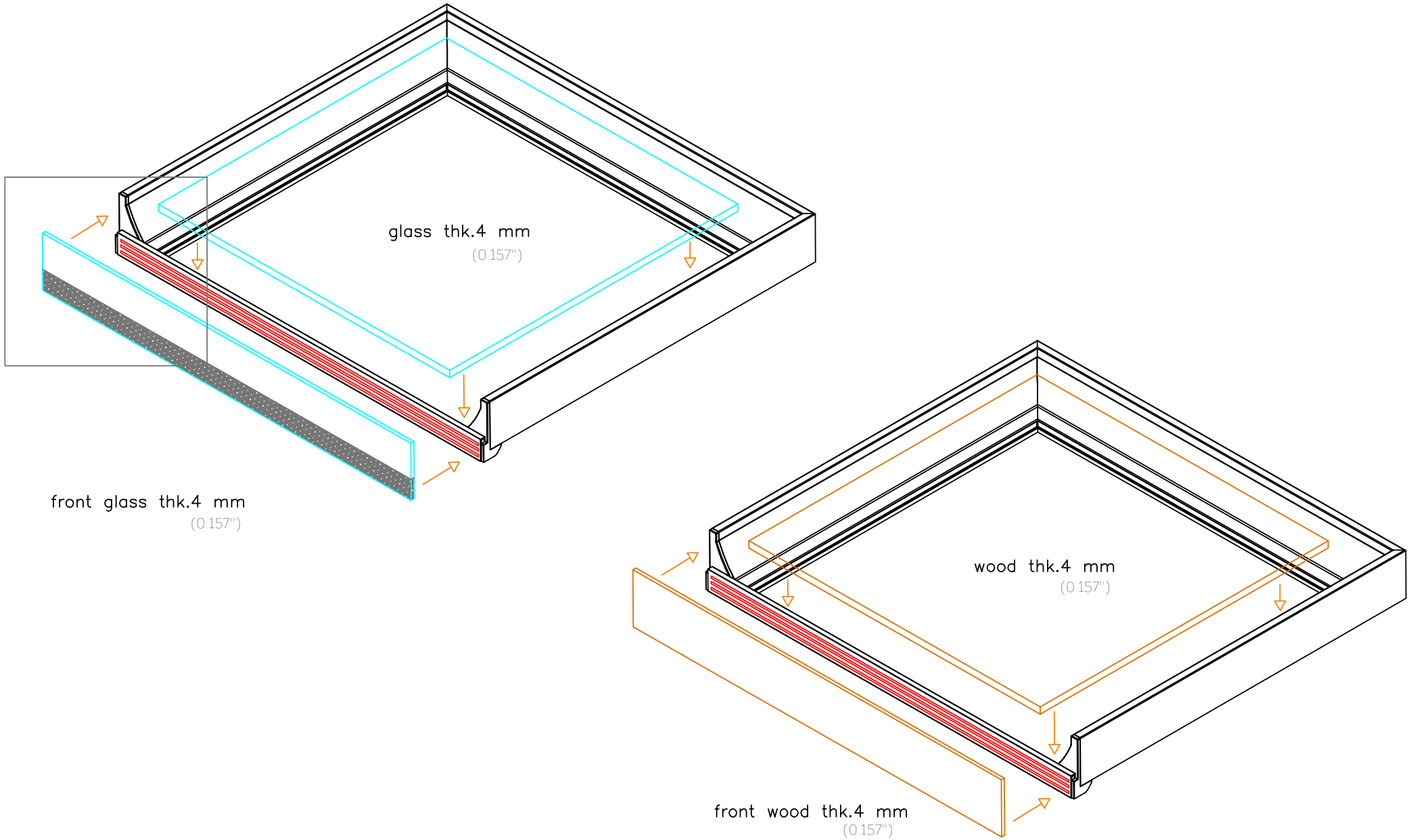


MB-F20

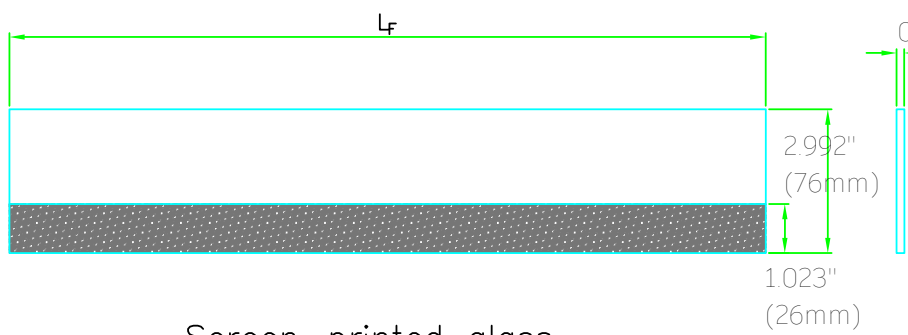
connecting profile
for front drawer





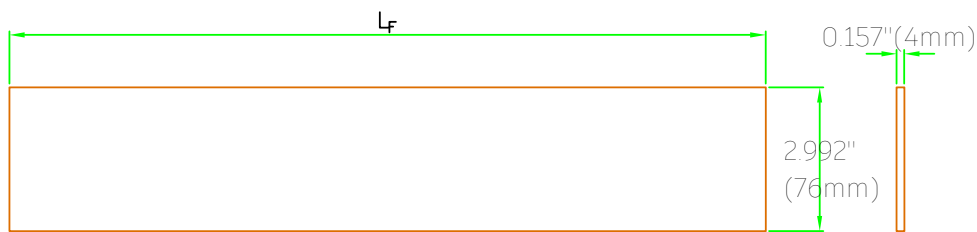


Dimensions glass or wood front My Be drawer



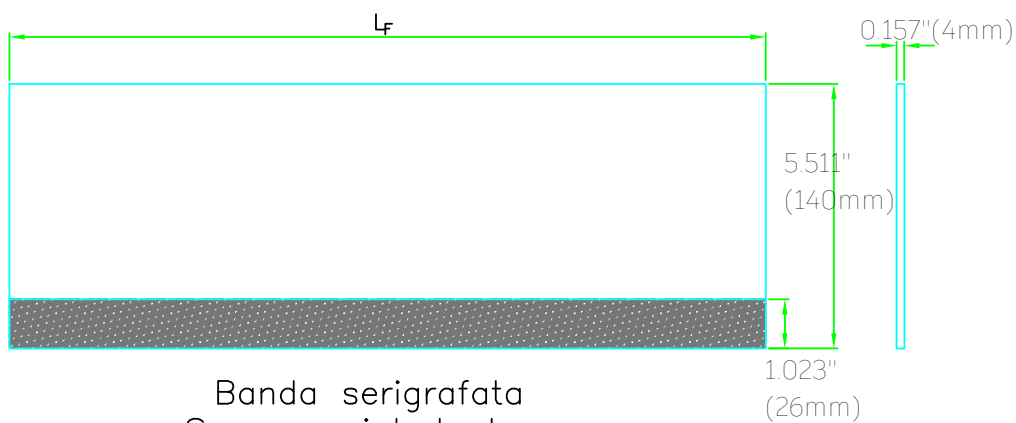
Screen-printed glass

- MB-40;
 - MB-55.
- $L_F = L_{Cassetto}$



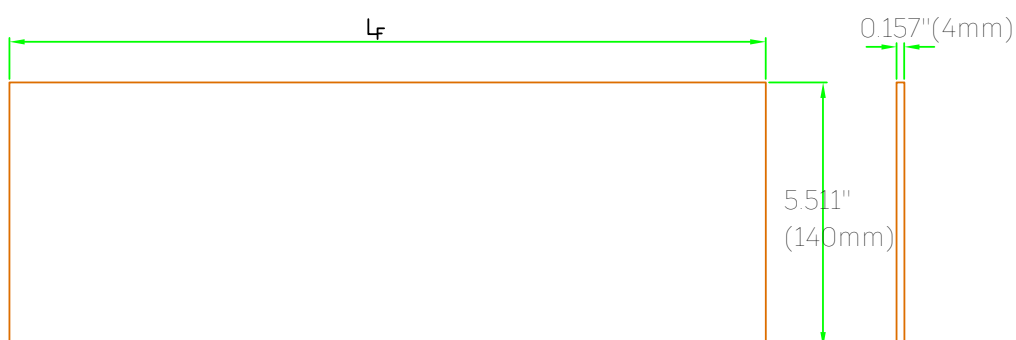
Dimensions glass/wood for drawers profile:

- MB-40;
 - MB-55.
- $L_F = L_{Drawers}$



Banda serigrafata
Screen-printed glass

- MB-130;
- $L_F = L_{Cassetto}$



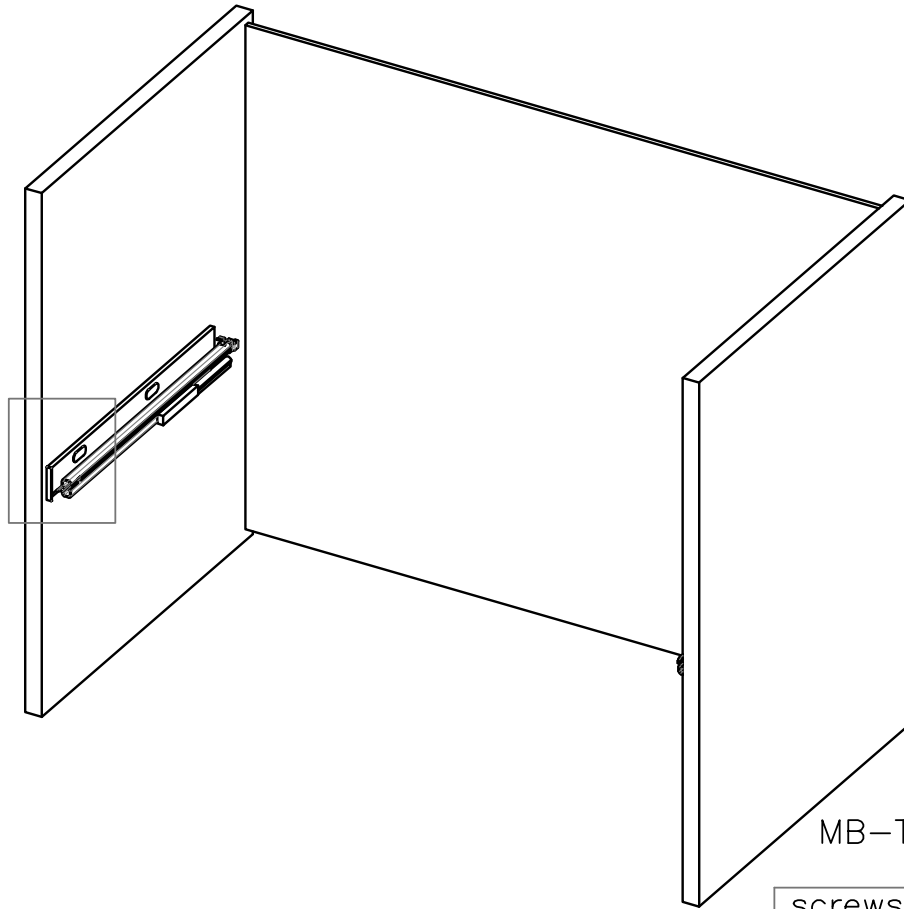
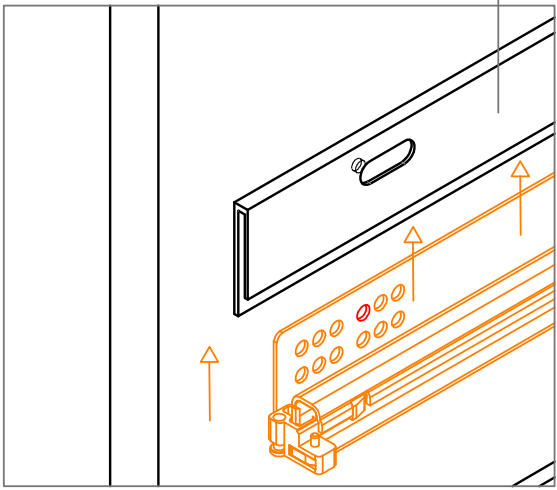
Dimensions glass/wood for drawers profile:

- MB-130
- $L_F = L_{Drawers}$

Wardrobe with wooden sides Assembly instructions for My Be drawer with glass or wood front (No LED)

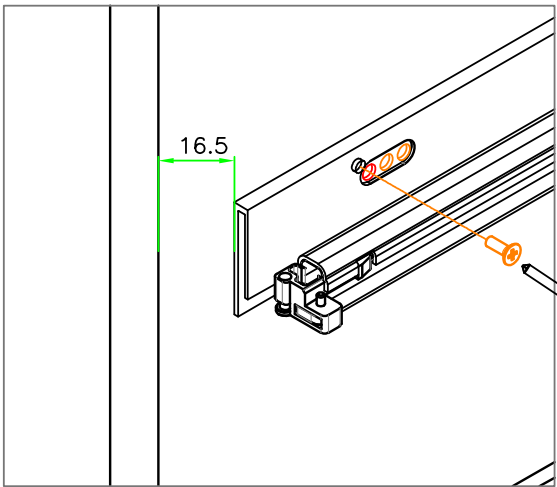
MB-750

Drawer spacer profile

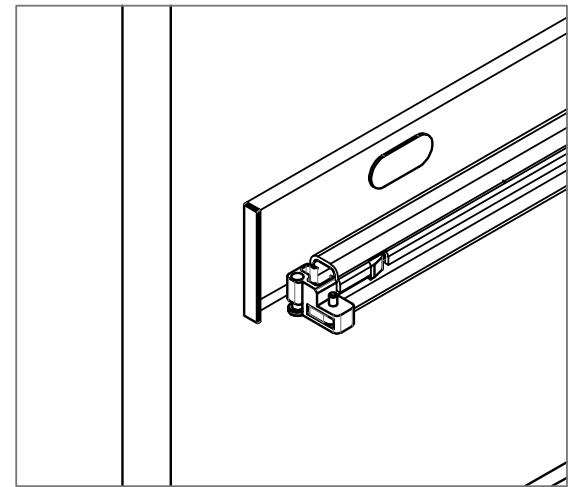
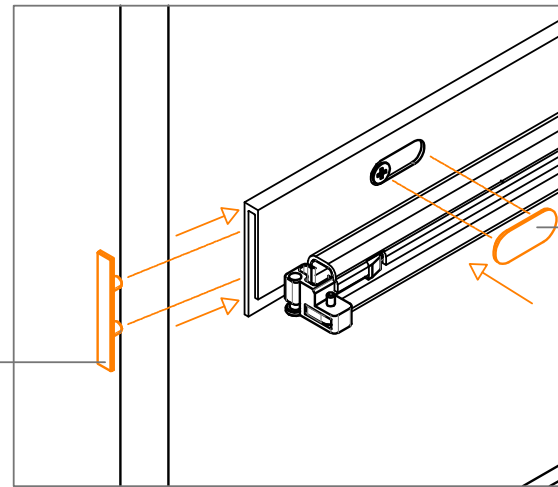


MB-T-COP-VITI

screws cover caps

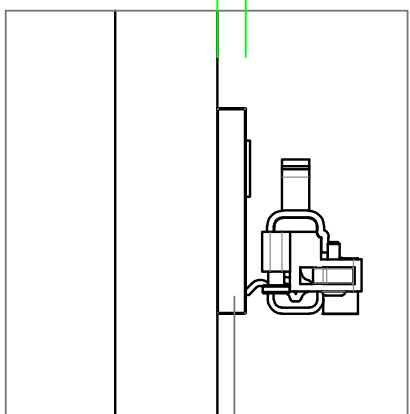


MB-T-750



7

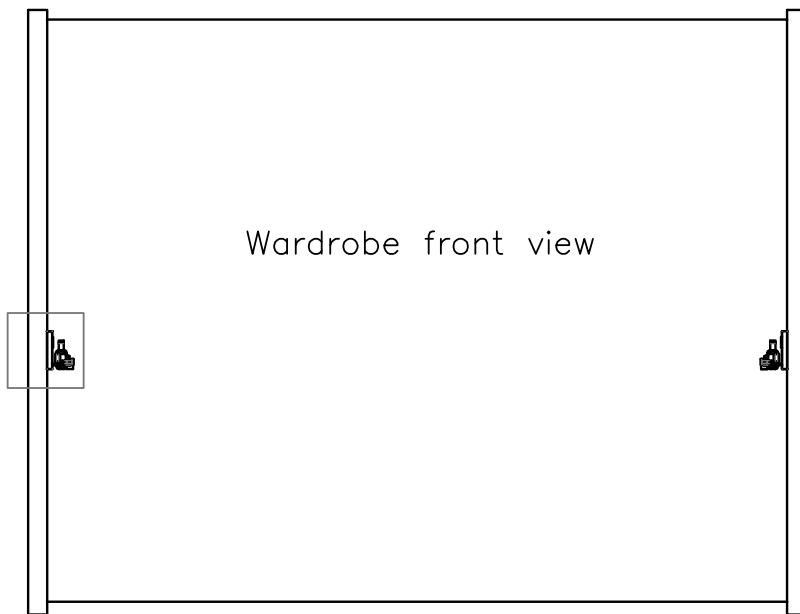
Front cover cap



MB-750 Profilo

Drawer spacer profile

Wardrobe front view



vista superiore armadio
Wardrobe Top view



MB-GUIDA-SX-HE-420
MB-GUIDA-SX-HE-470

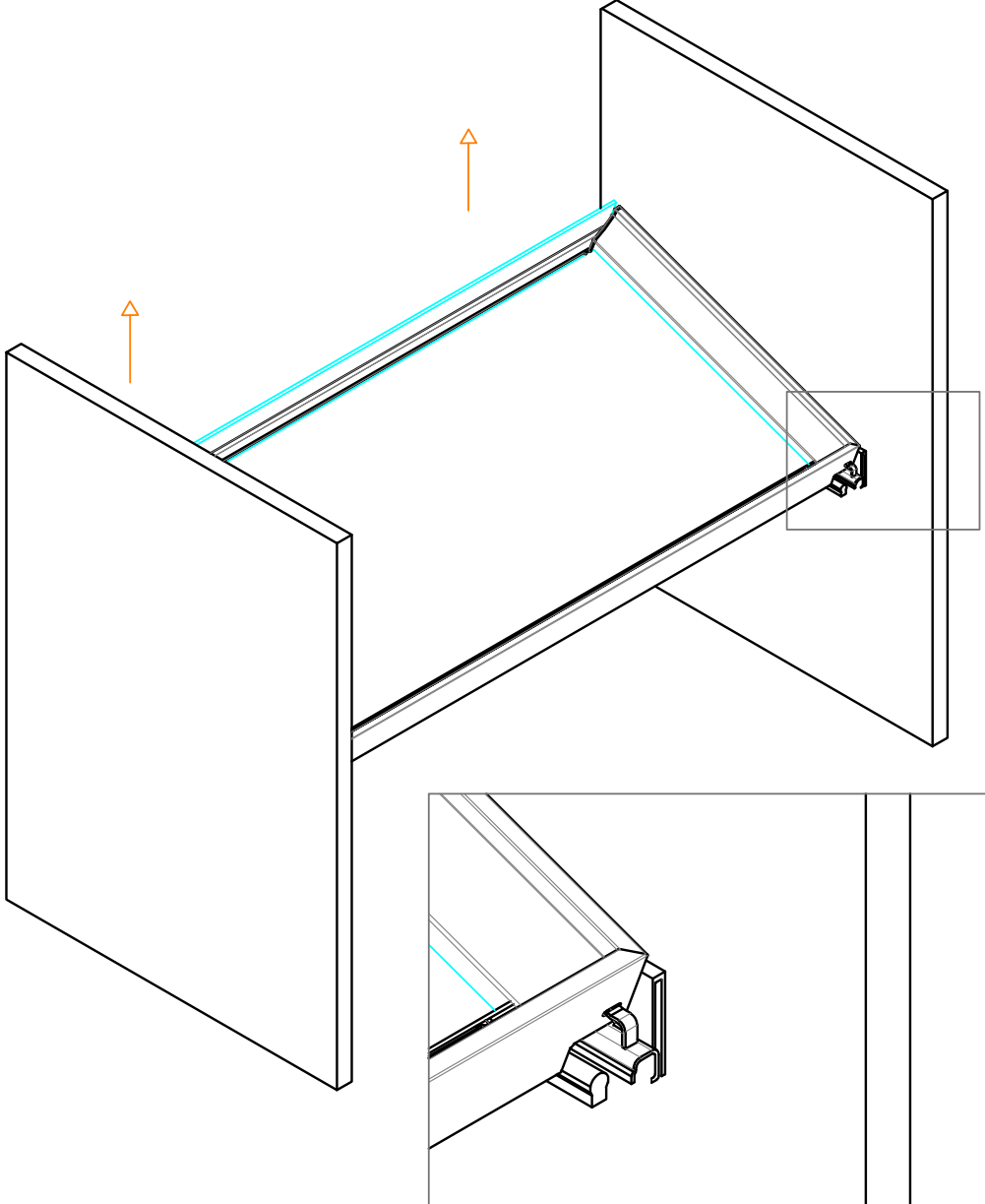
Hettich Rail

MB-GUIDA-DX-HE-420
MB-GUIDA-DX-HE-470

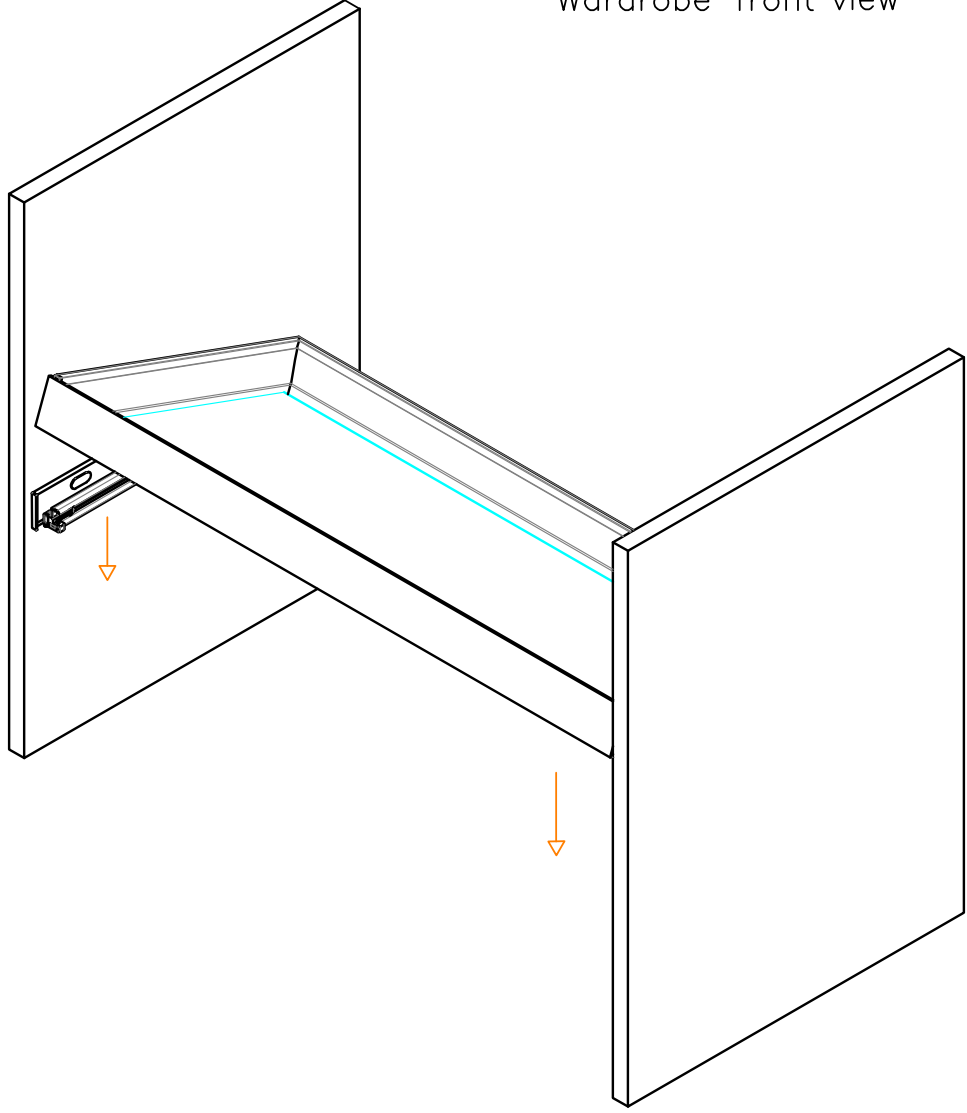
Hettich Rail



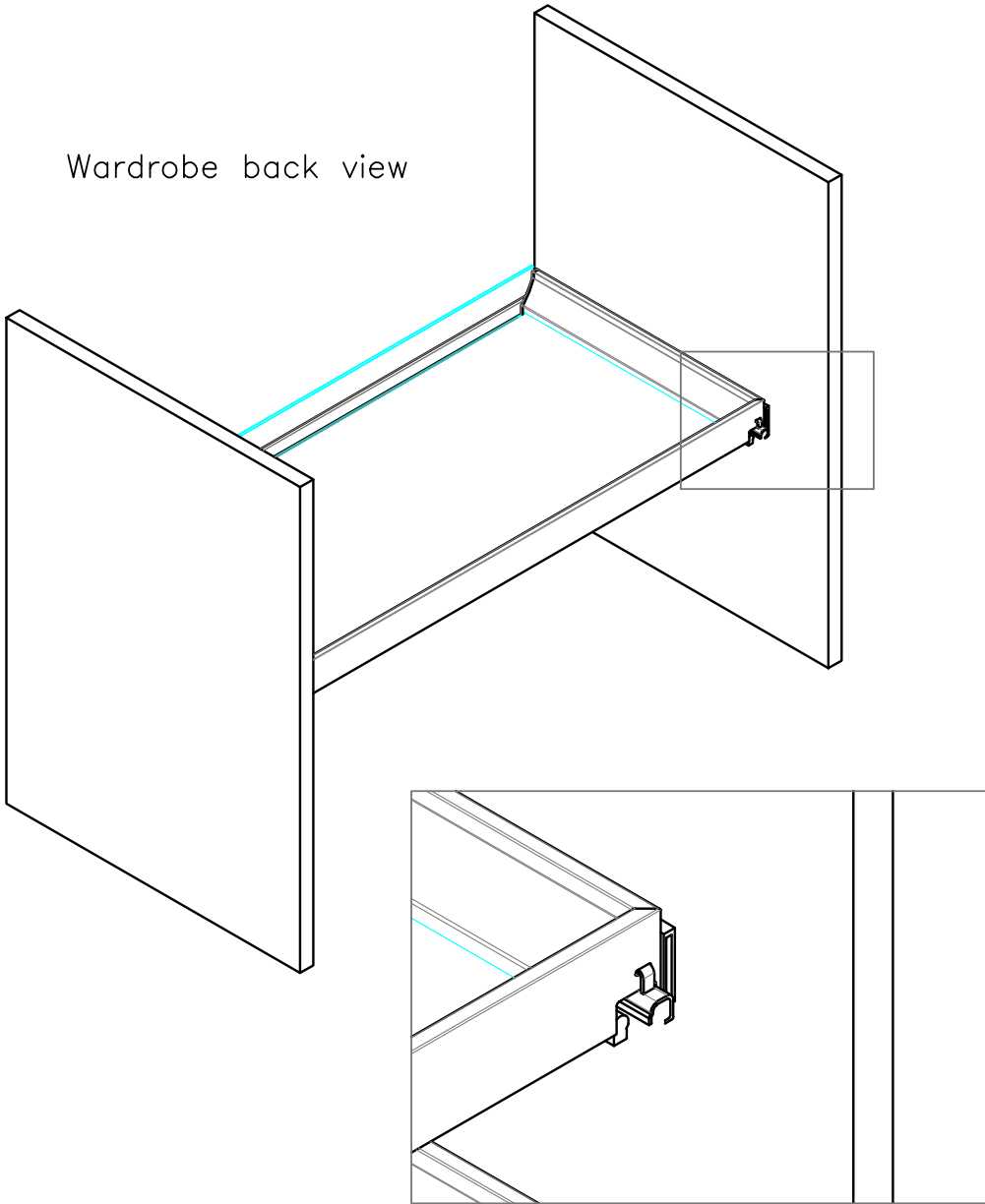
Wardrobe back view



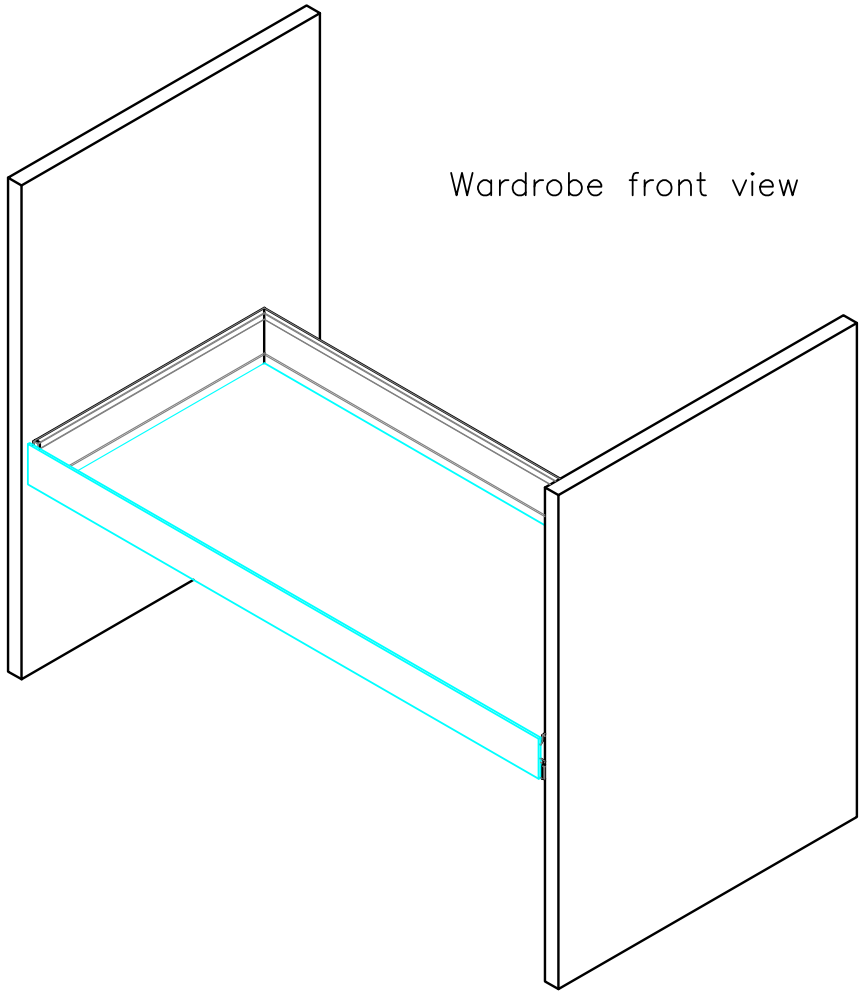
Wardrobe front view



Wardrobe back view

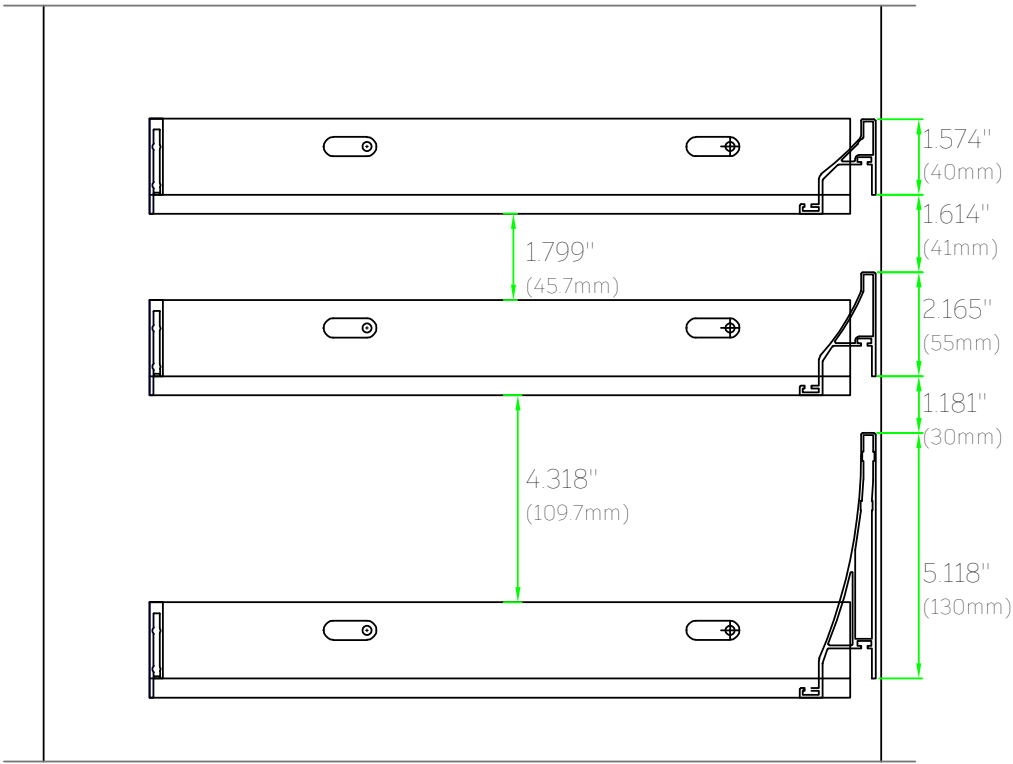


Wardrobe front view

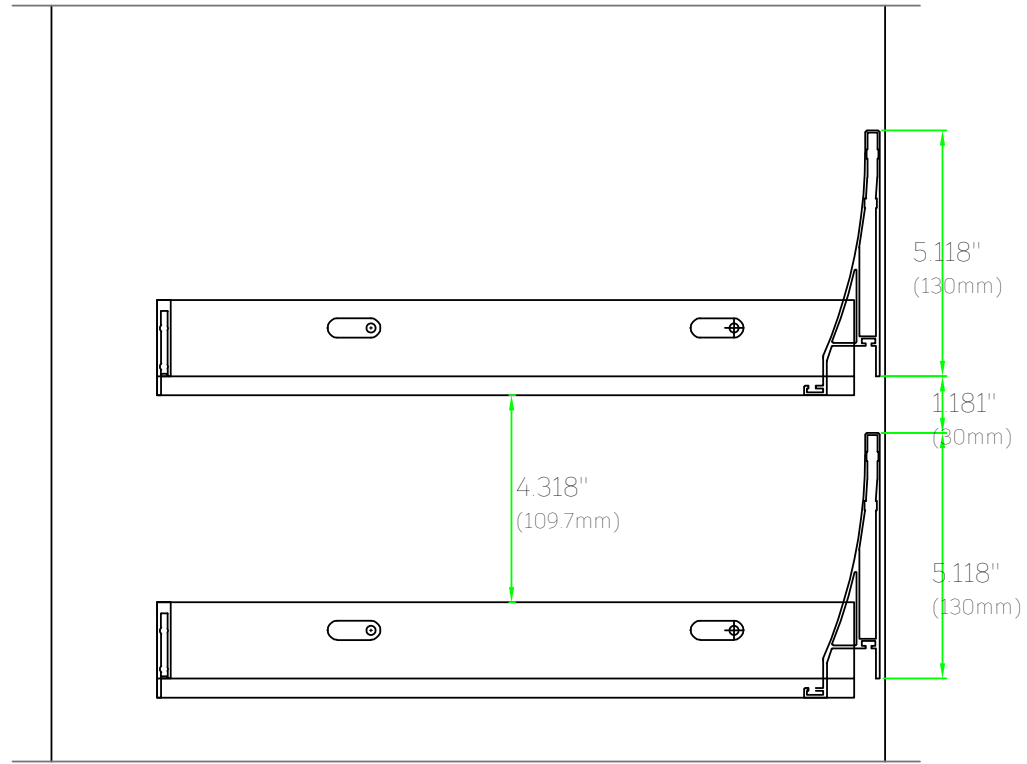


Drawers/trays position on wardrobe with wooden sides

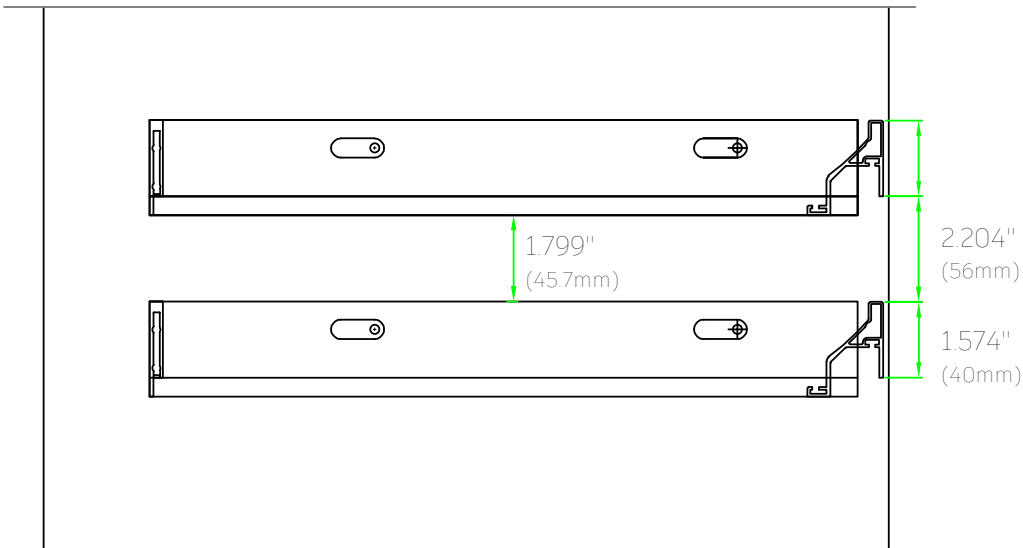
My be Drawer with 4 Aluminium sides



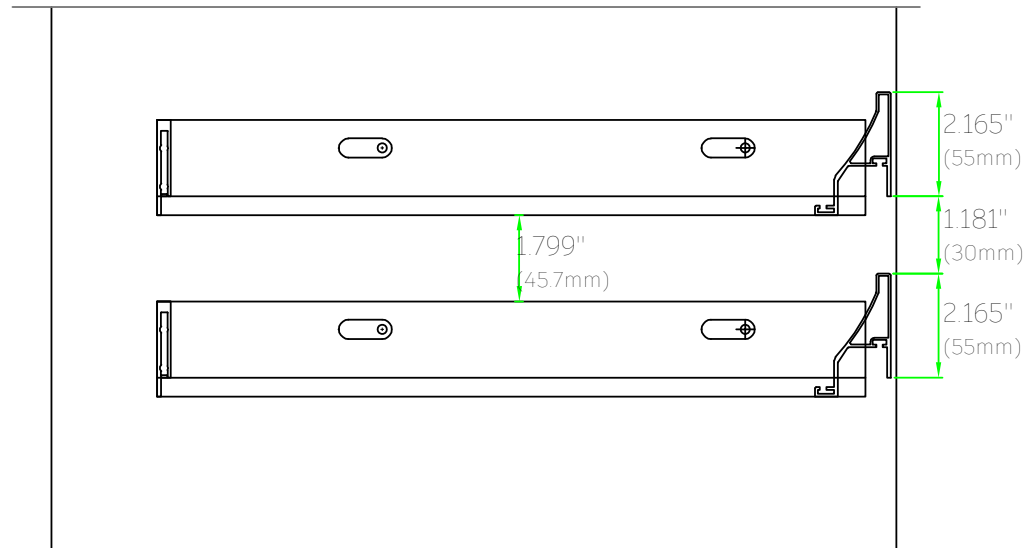
MB-40 / MB-55 / MB-130 prof'



MB-130 profiles

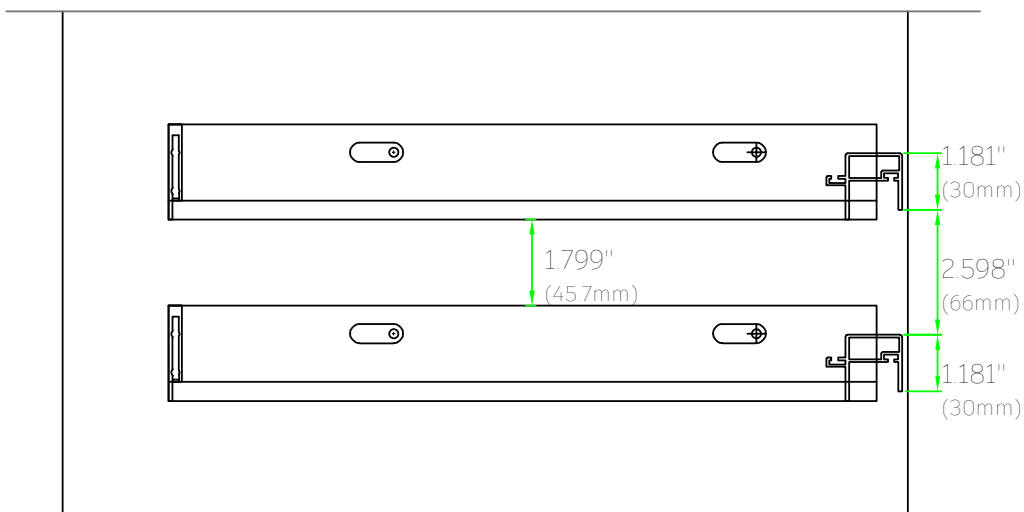


MB-40 Profile

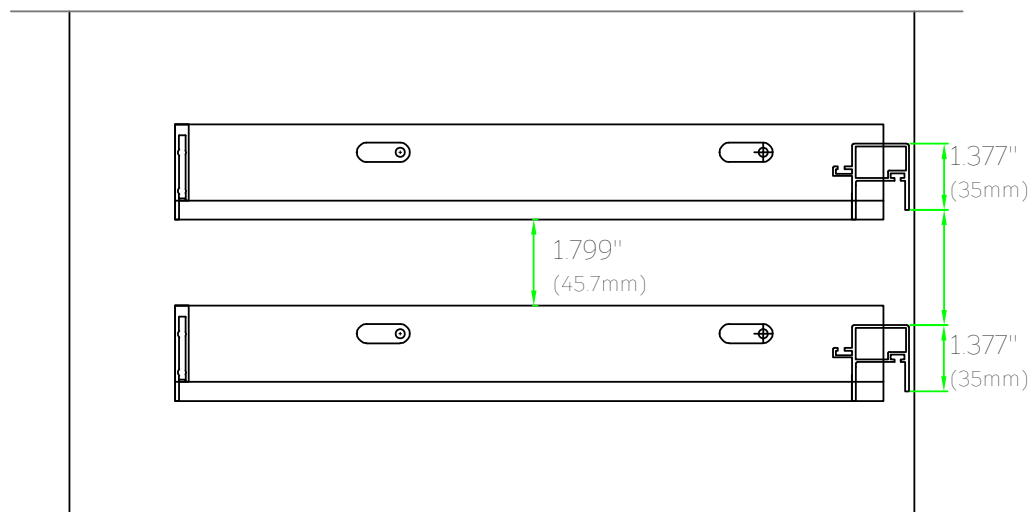


MB-55 Profile

My be Trays



MB-30 Profile

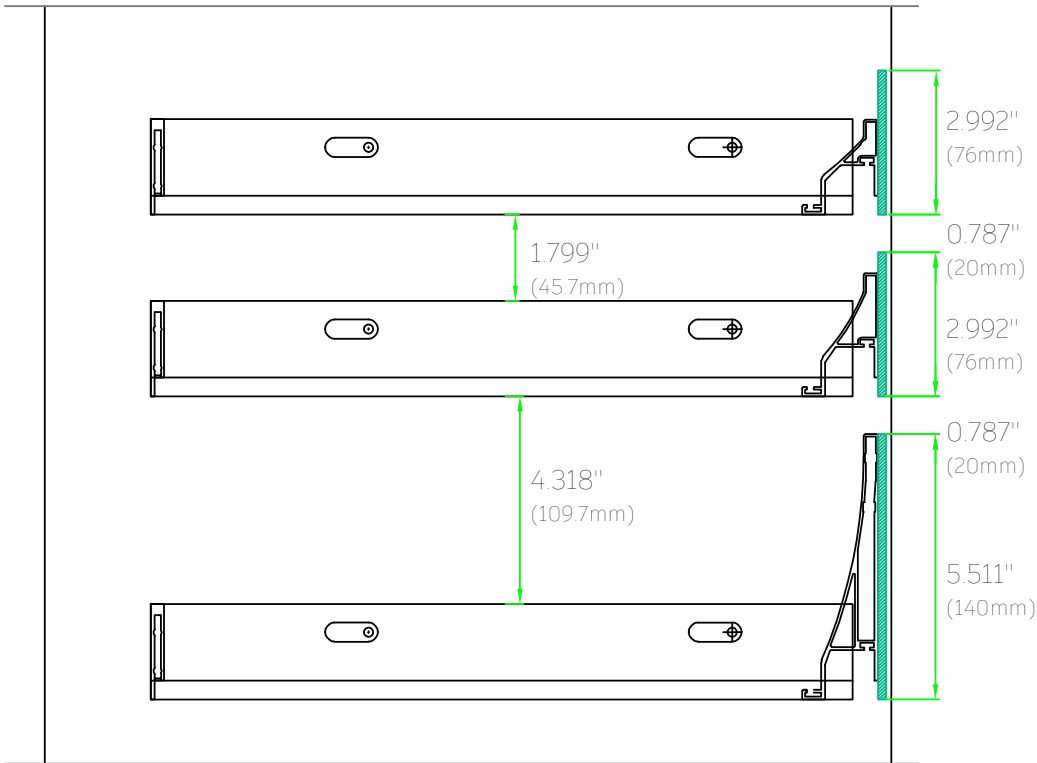


MB-35 Prof'

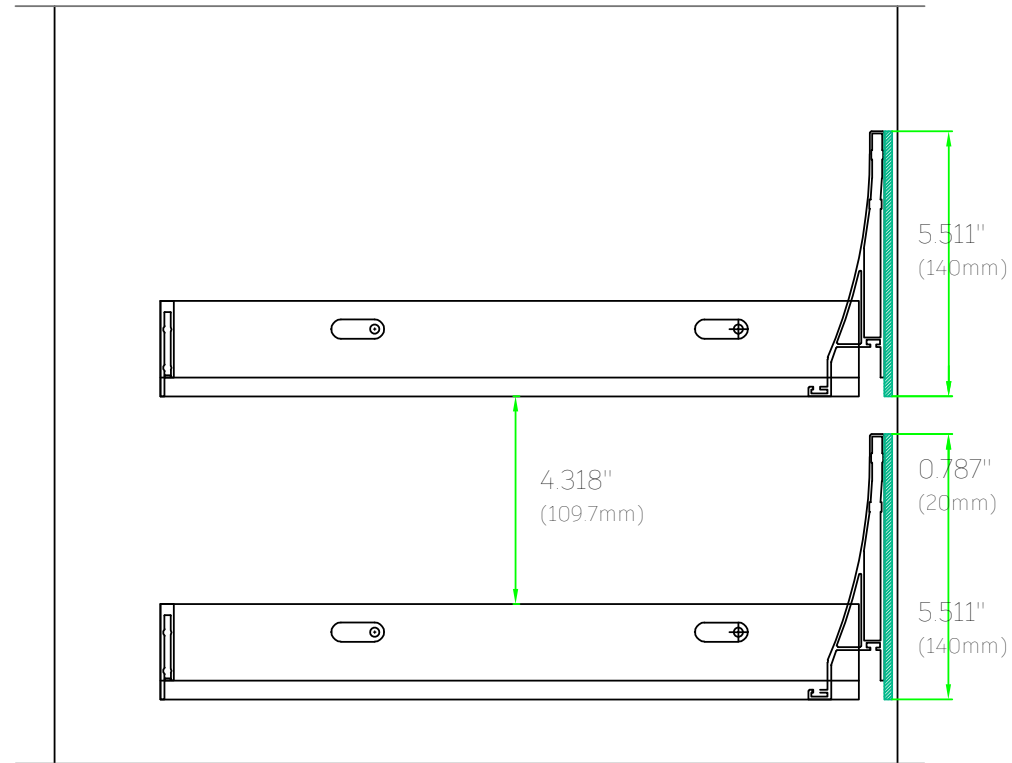


Drawers position on wardrobe with wooden sides

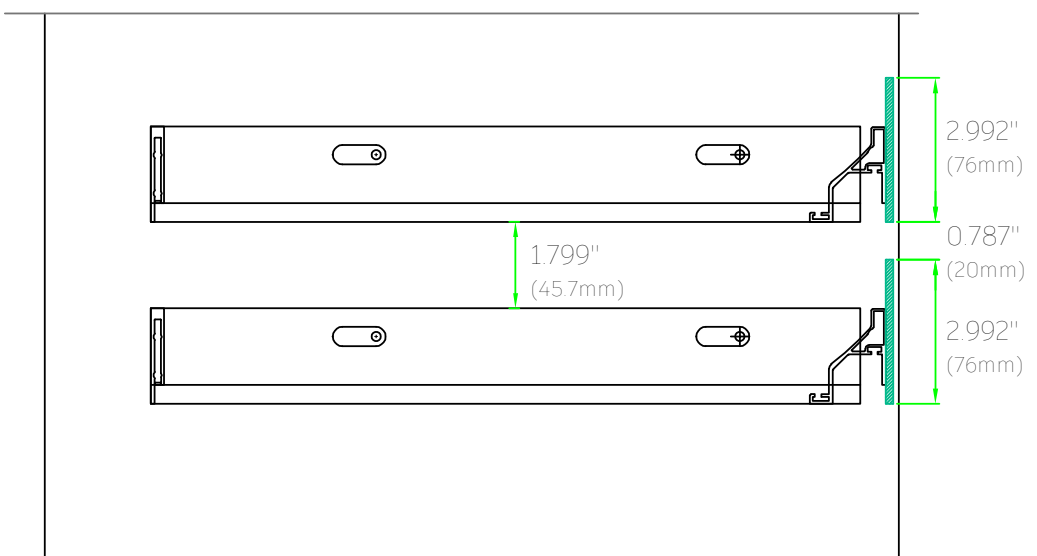
My be Drawer with 3 Aluminium sides and wooden/glass front



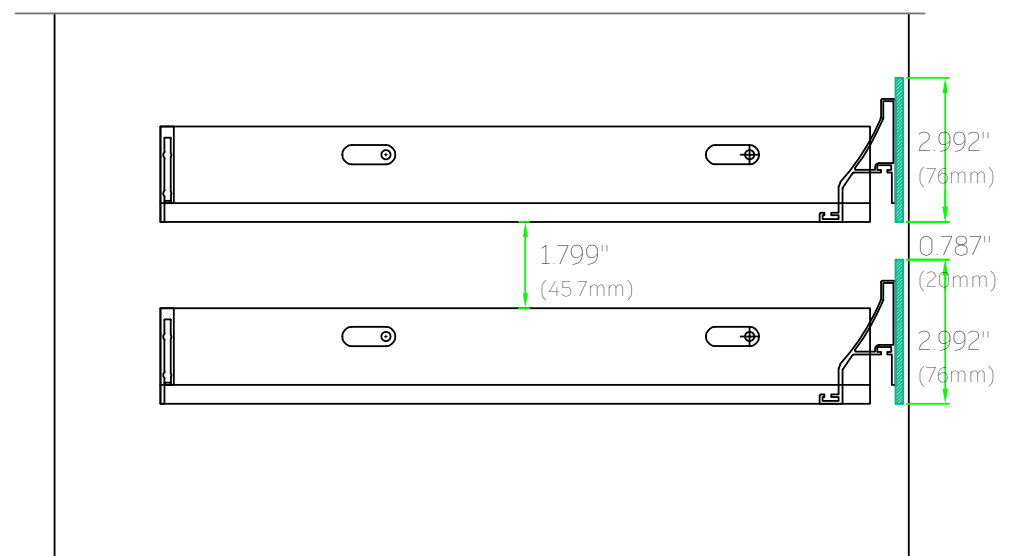
MB-40 / MB-55 / MB-130 profiles



MB-130 profiles

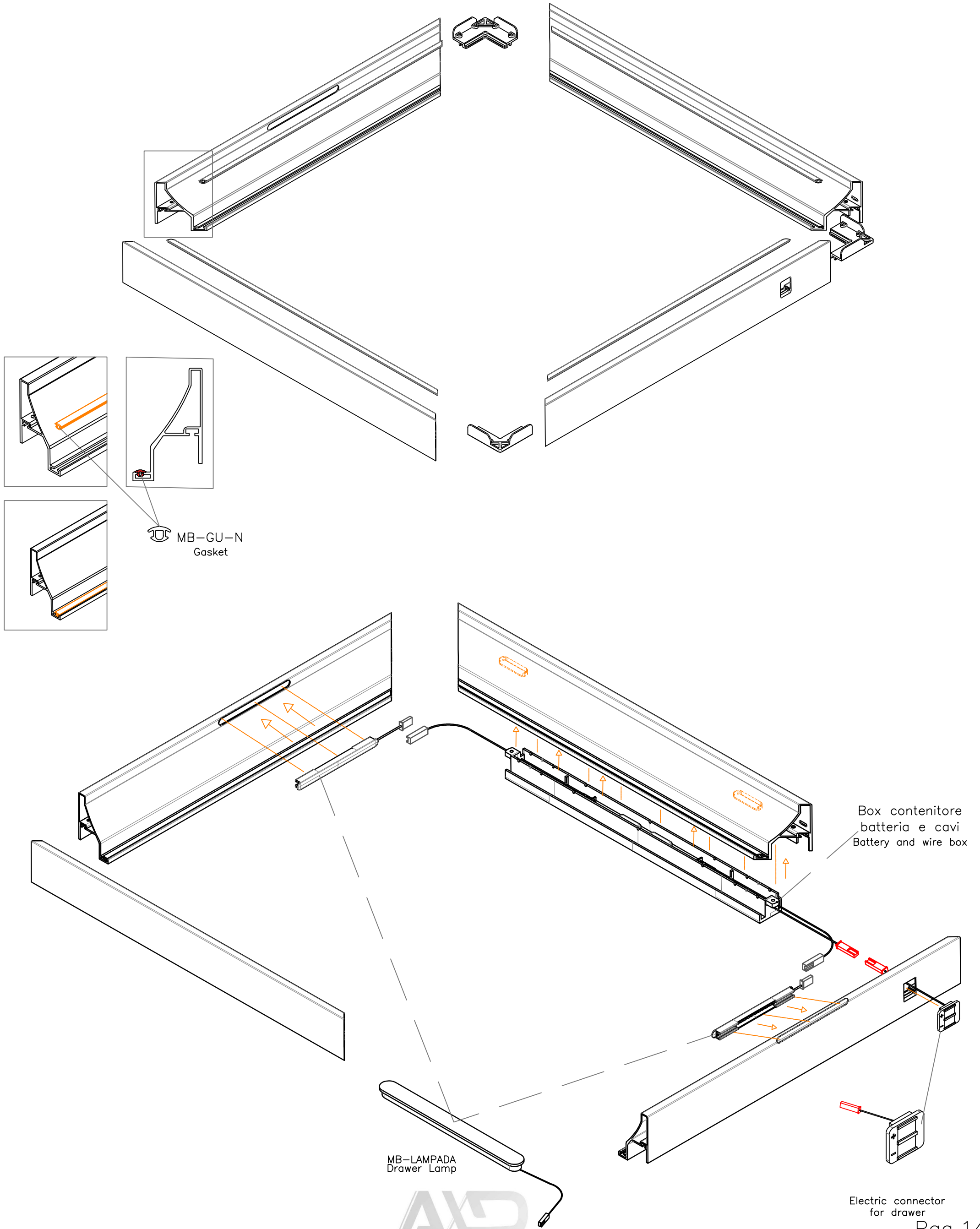


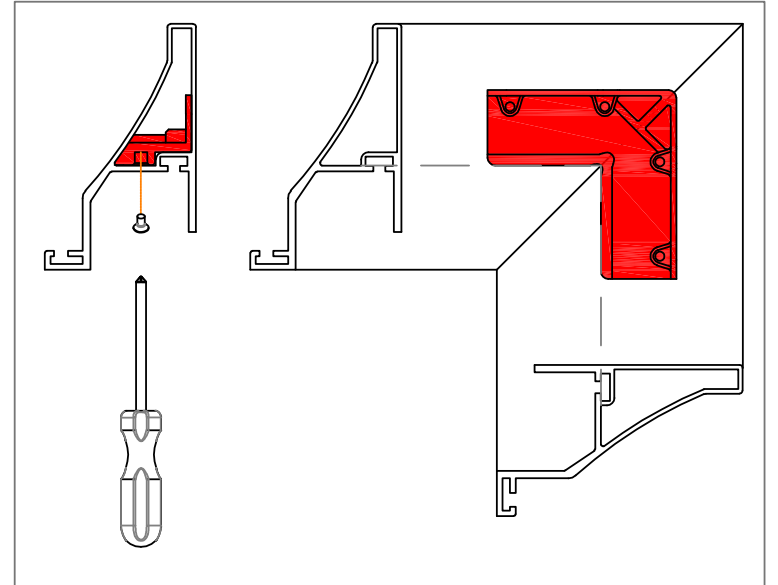
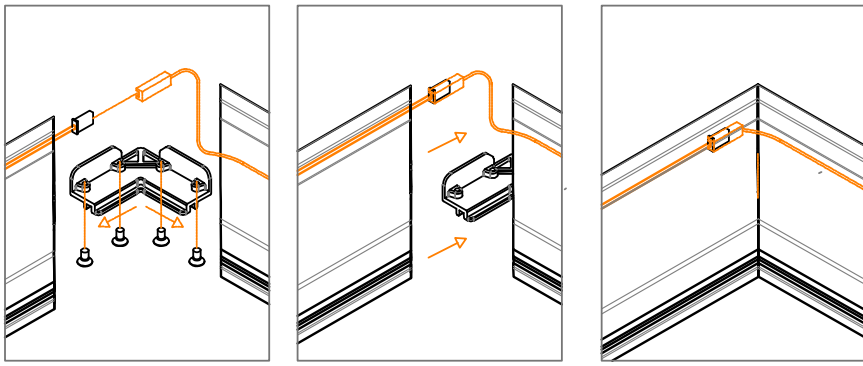
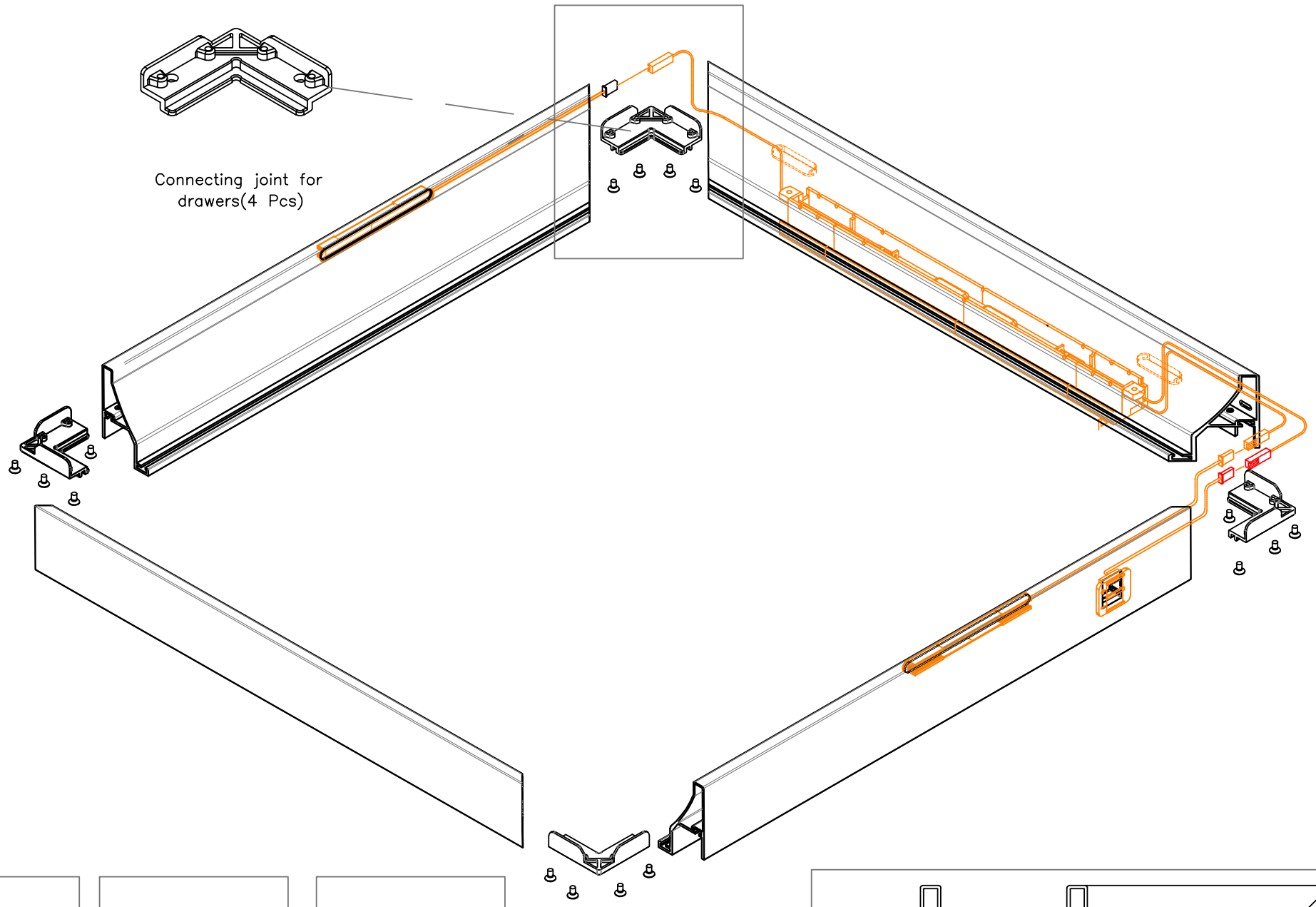
MB-40 Profiles



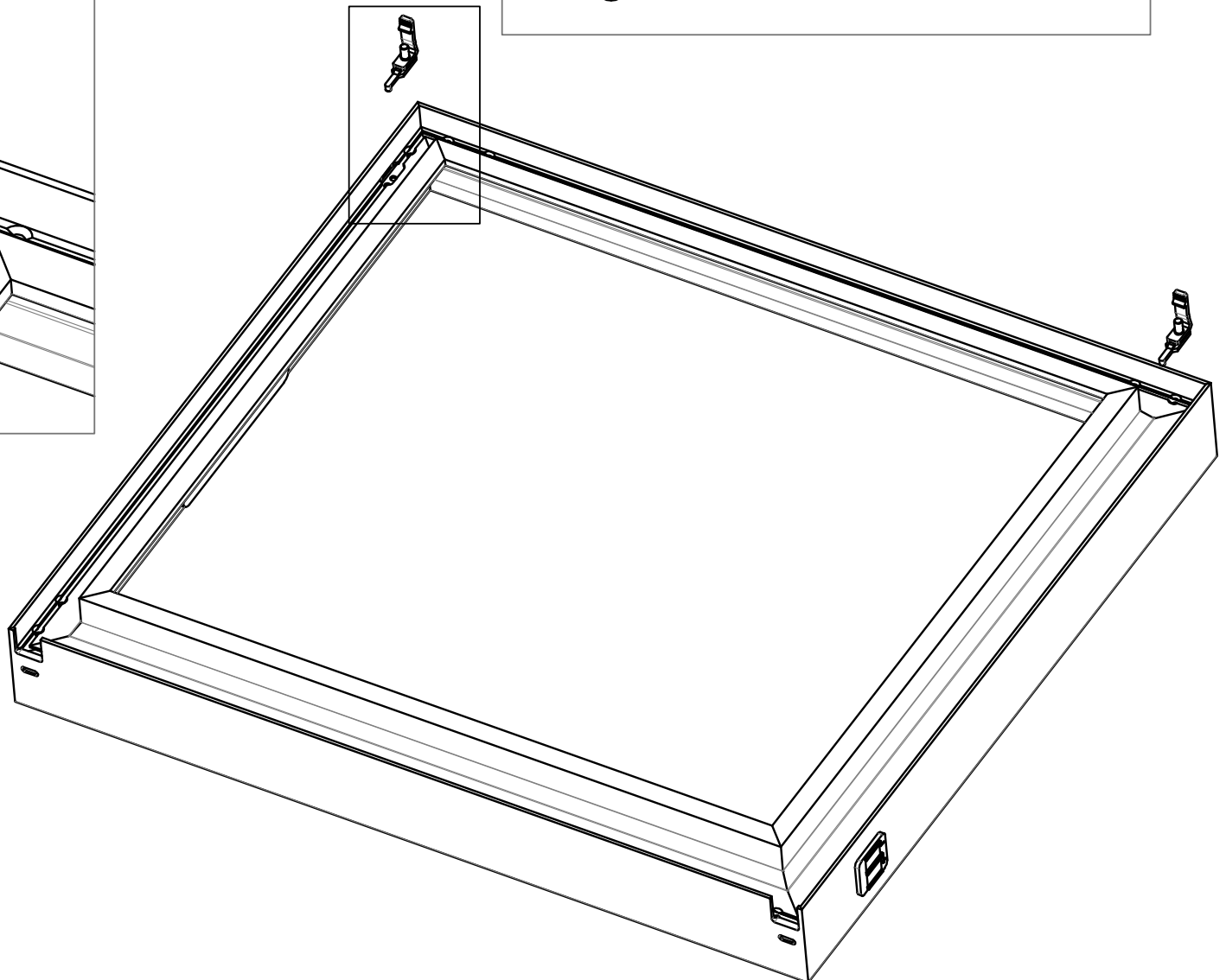
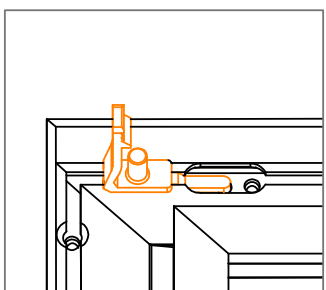
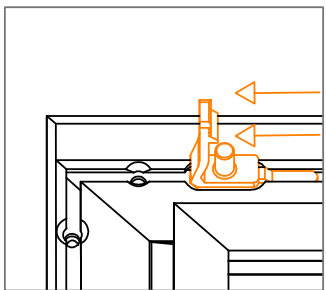
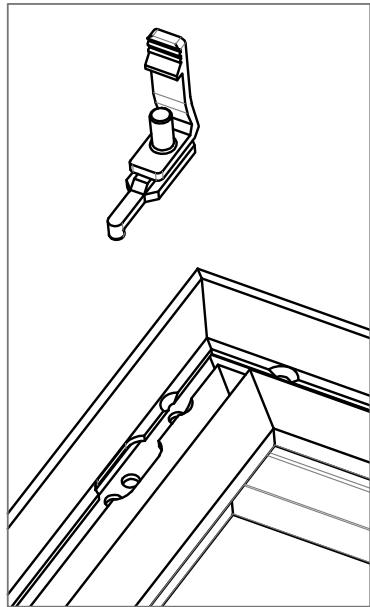
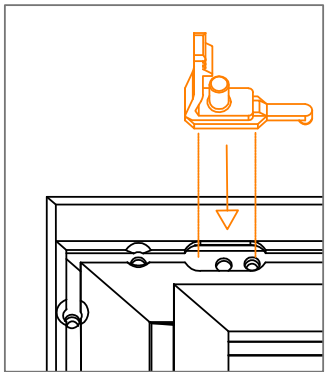
MB-55 Profiles

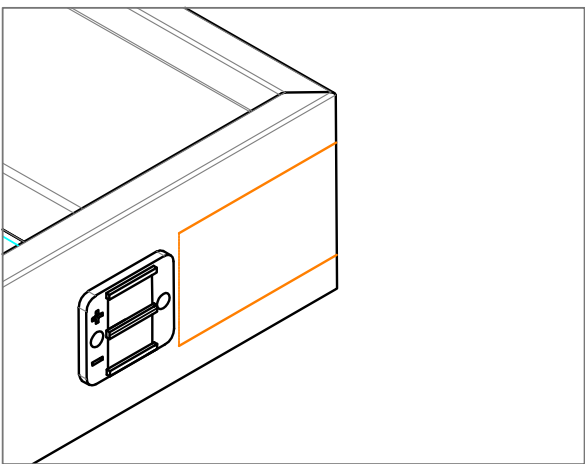
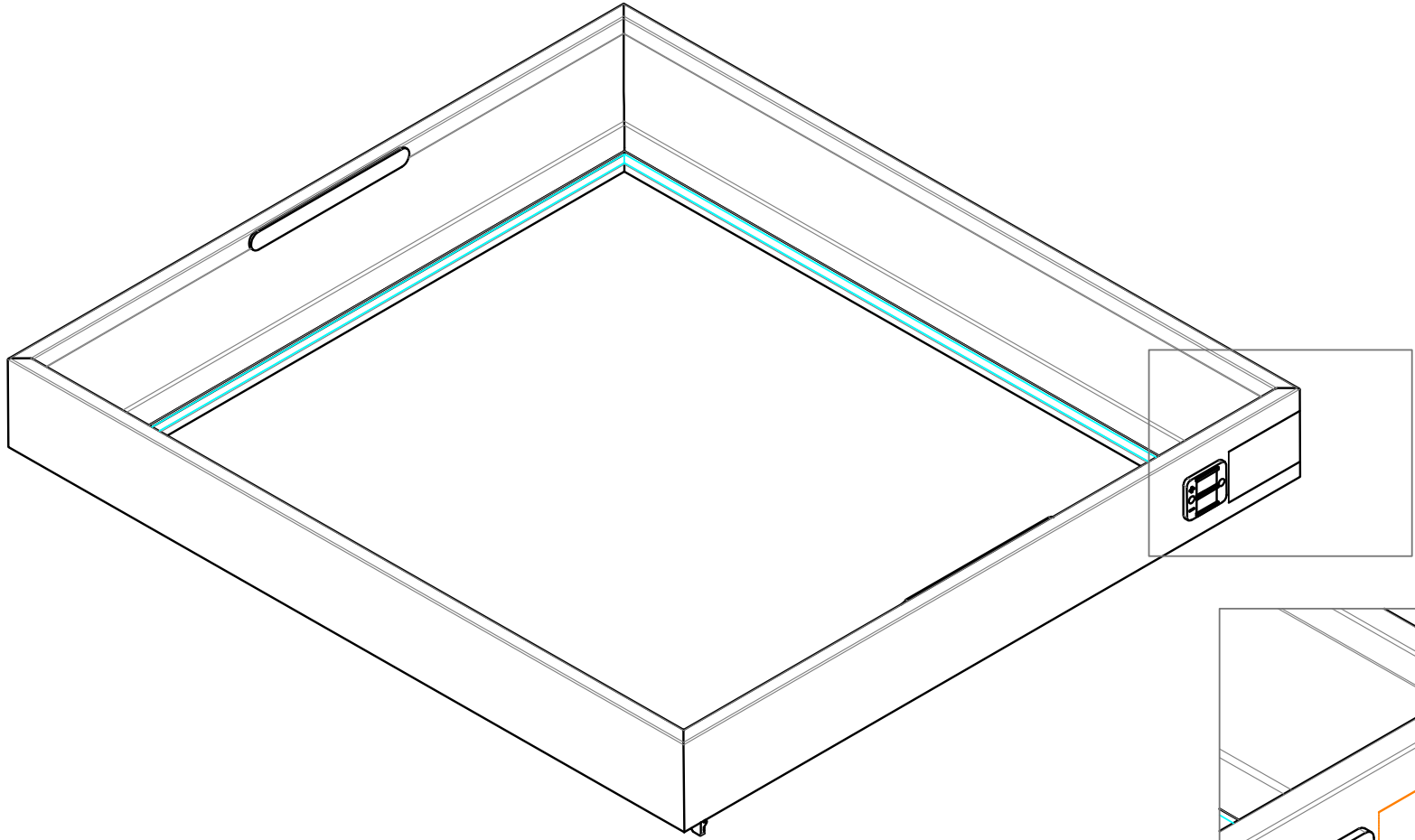
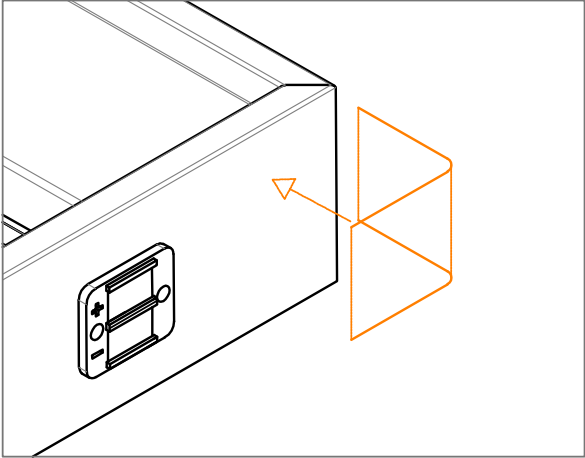
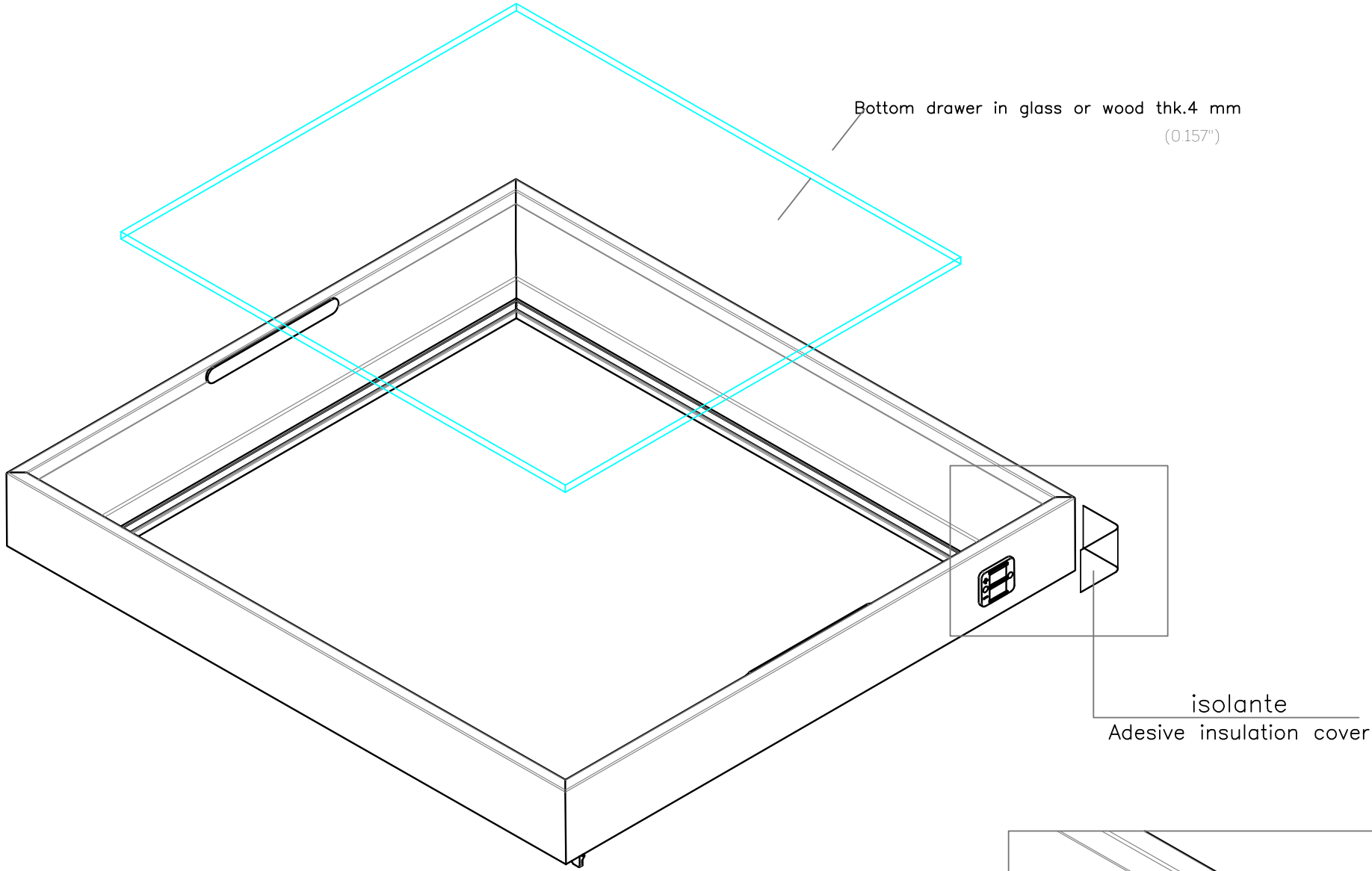
Assembly instructions: My Be drawer with 4 aluminium sides (with LED)





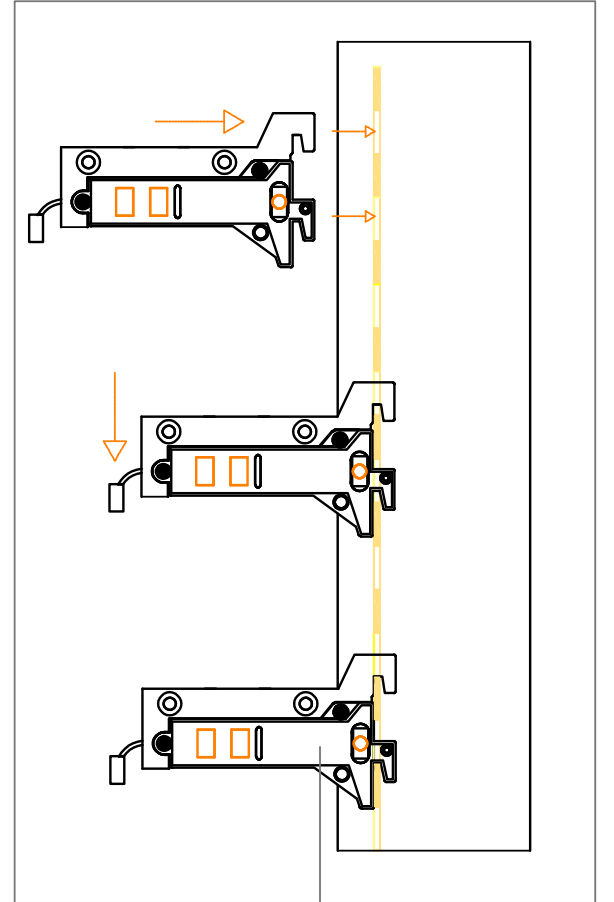
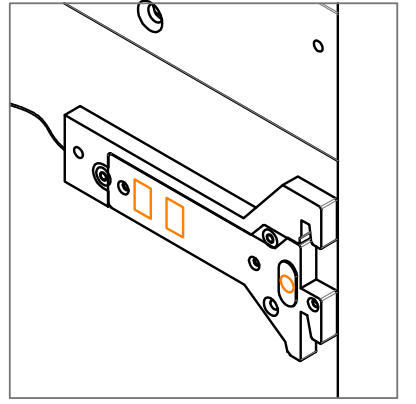
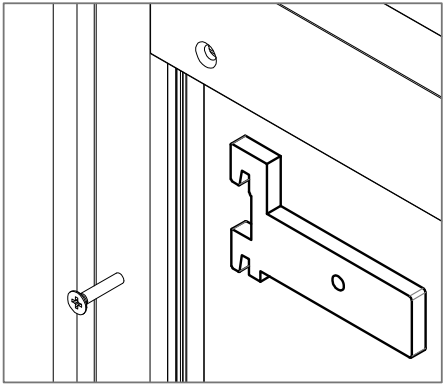
MB-AGG-GUI-REG-N
Rail hook



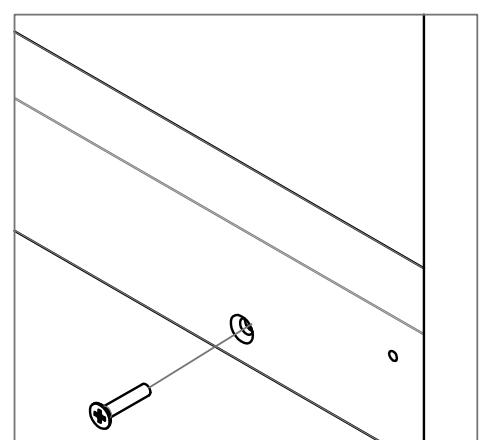
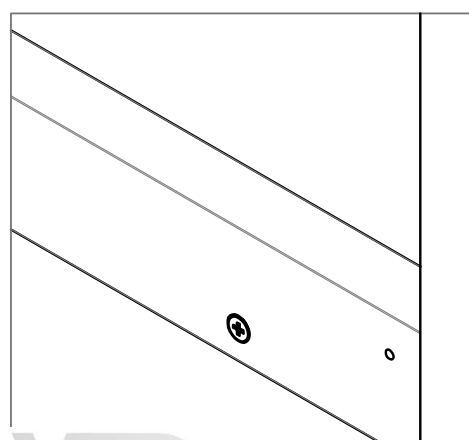
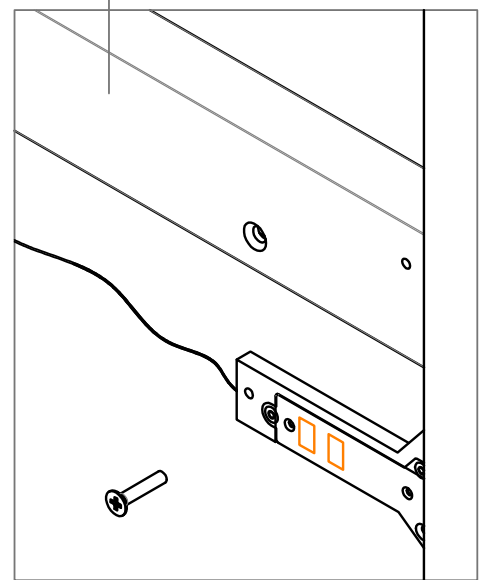


My Be con Led

Wardrobe with aluminium sides: assembly instructions
for my be drawer with led

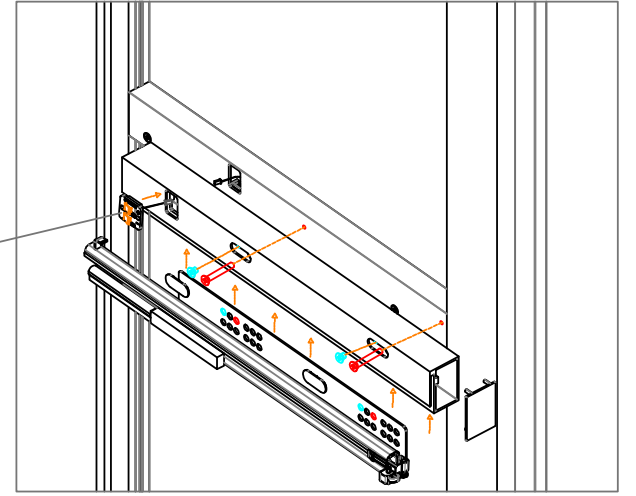
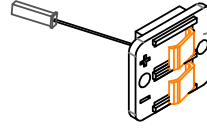


OL-2550 Profilo
Horizontal profile

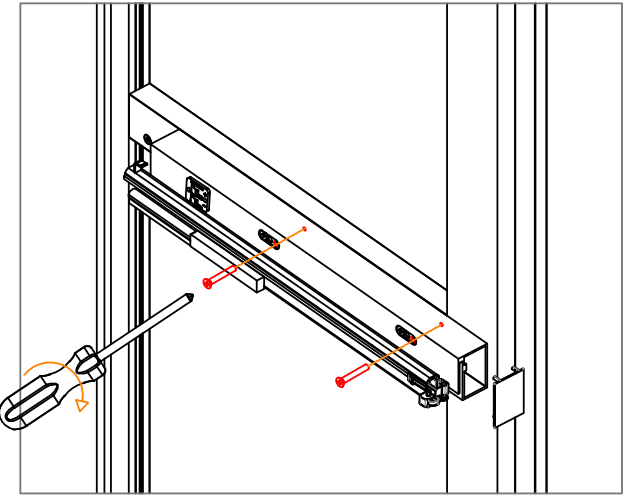
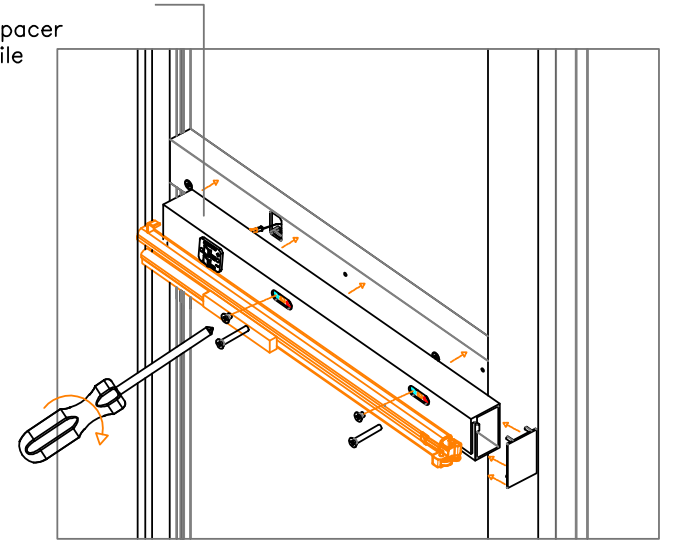




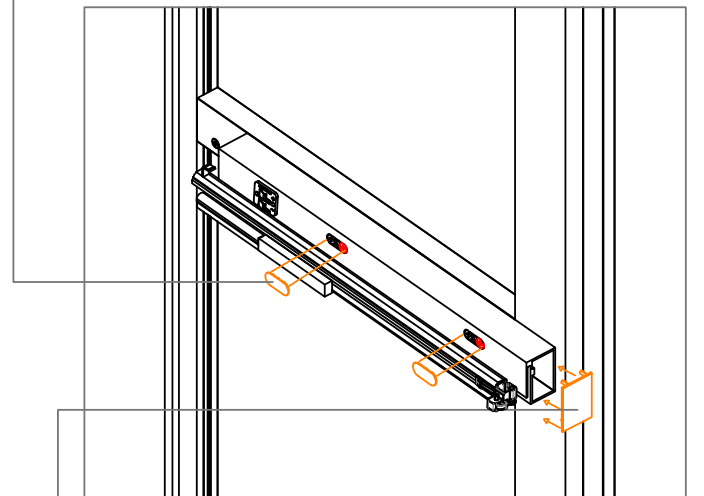
Electric connector
for horizontal profile



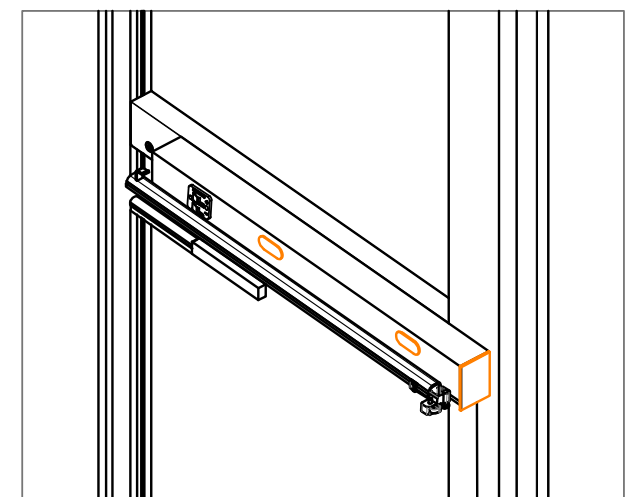
Drawer spacer
profile



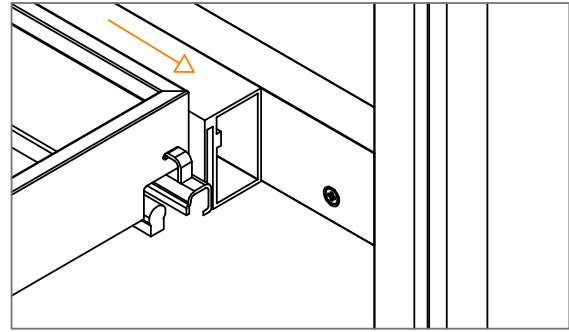
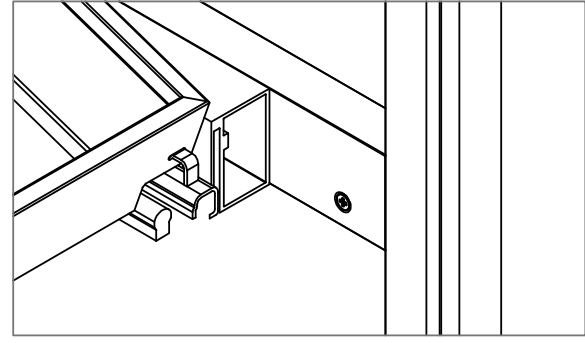
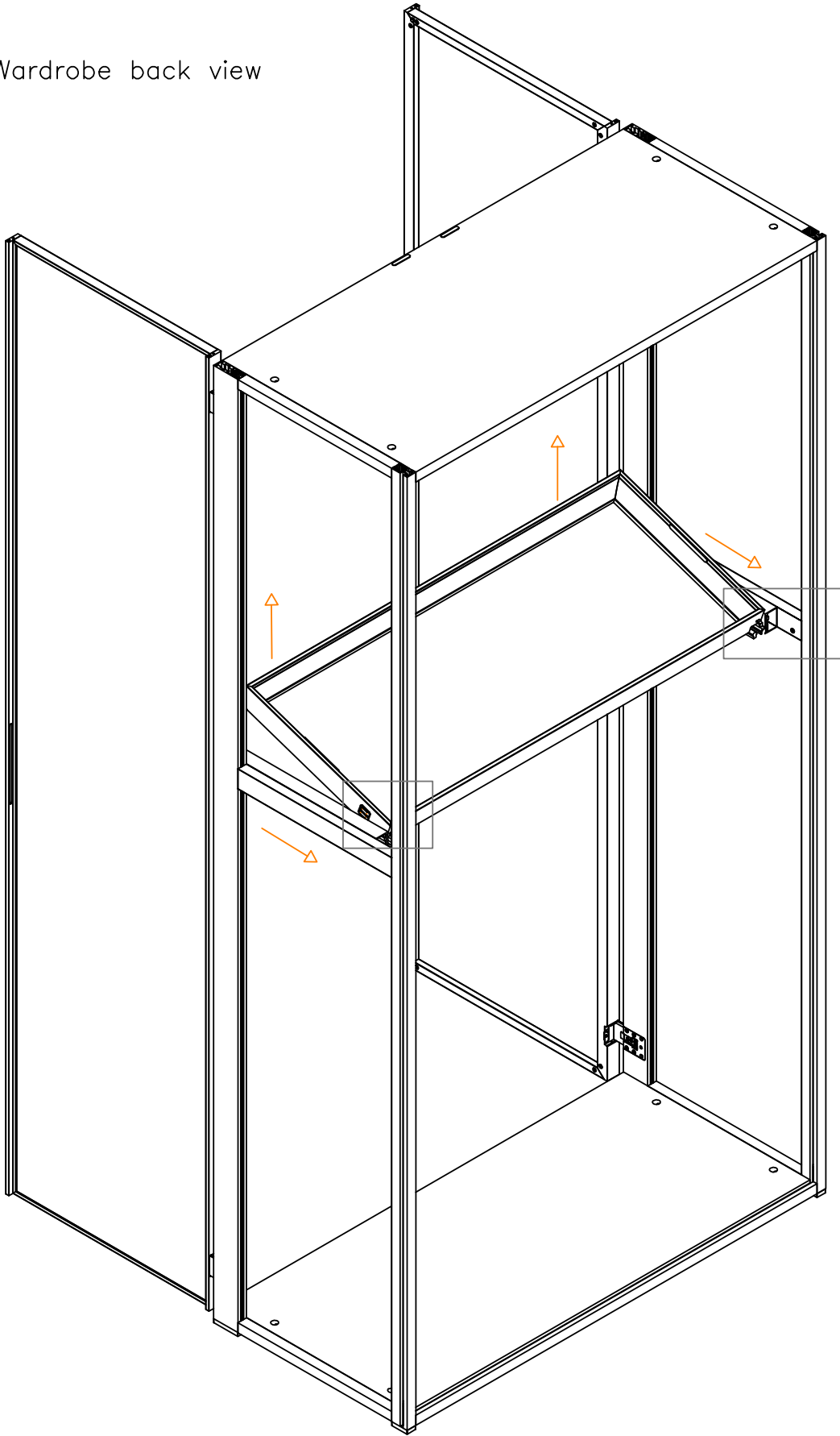
MB-T-COP-VITI
screw cover caps



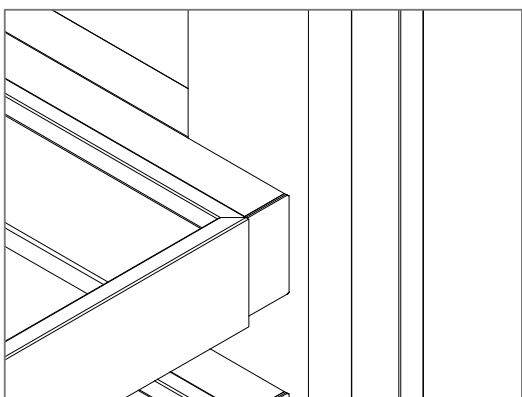
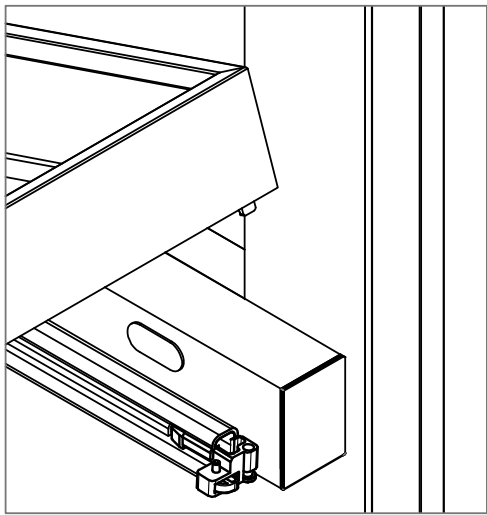
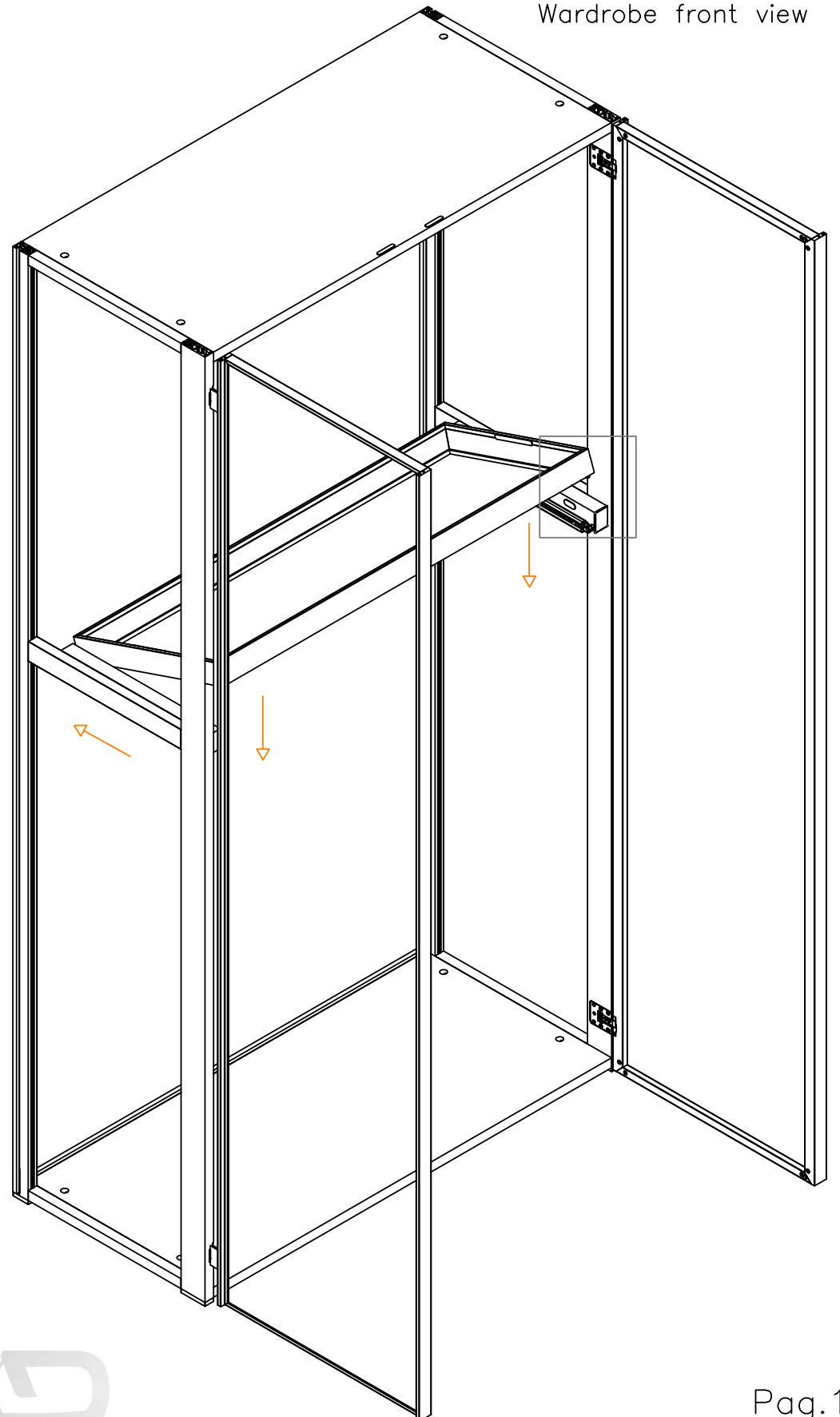
MB-3550
cap for spacer
profile



Wardrobe back view

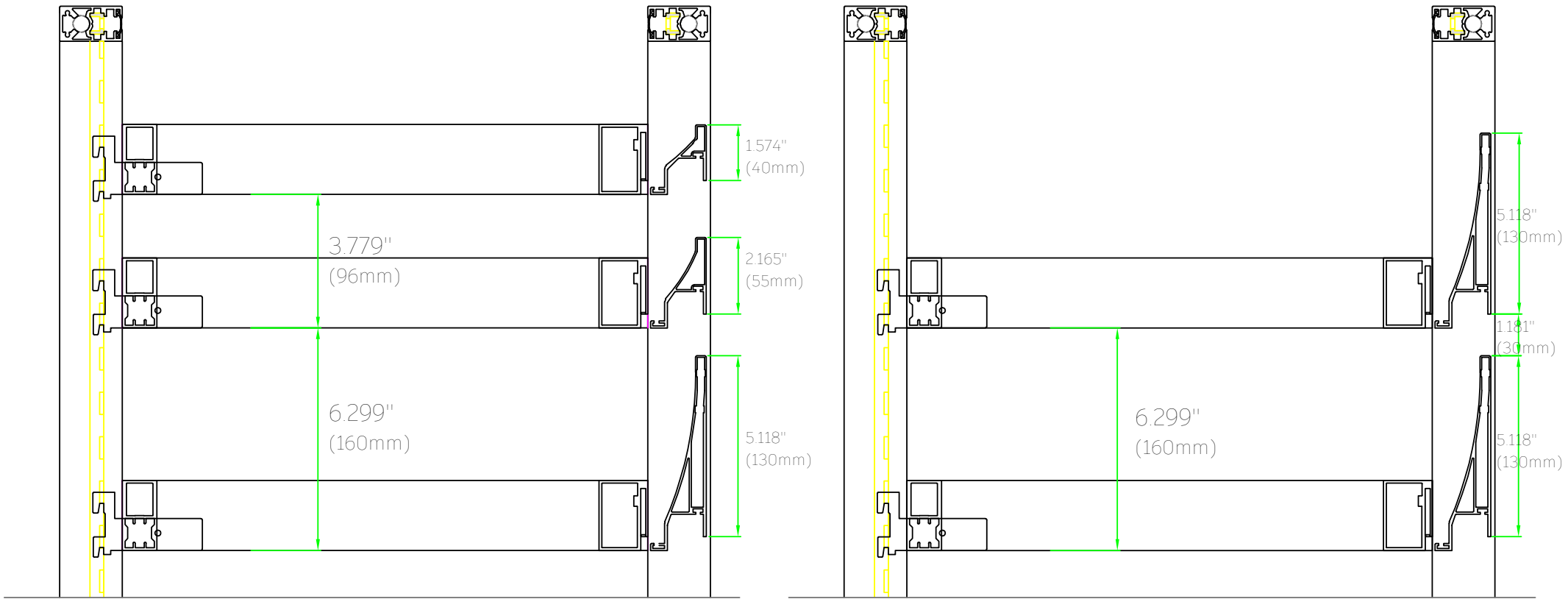


Wardrobe front view



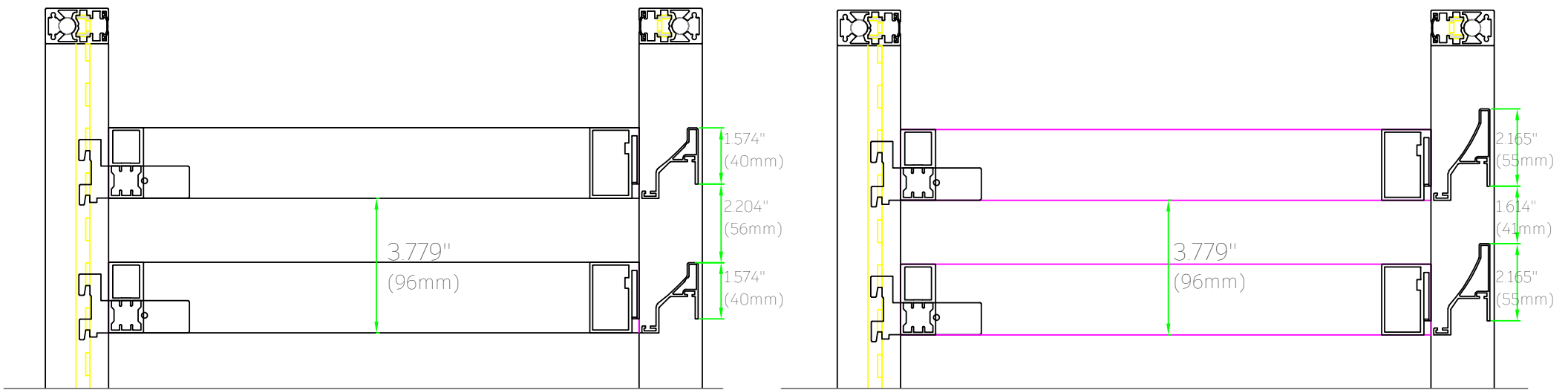
Drawers/trays position on wardrobe with Aluminium sides

My be Drawer/Trays with 4 Aluminium sides



MB-40 / MB-55 / MB-130 profiles

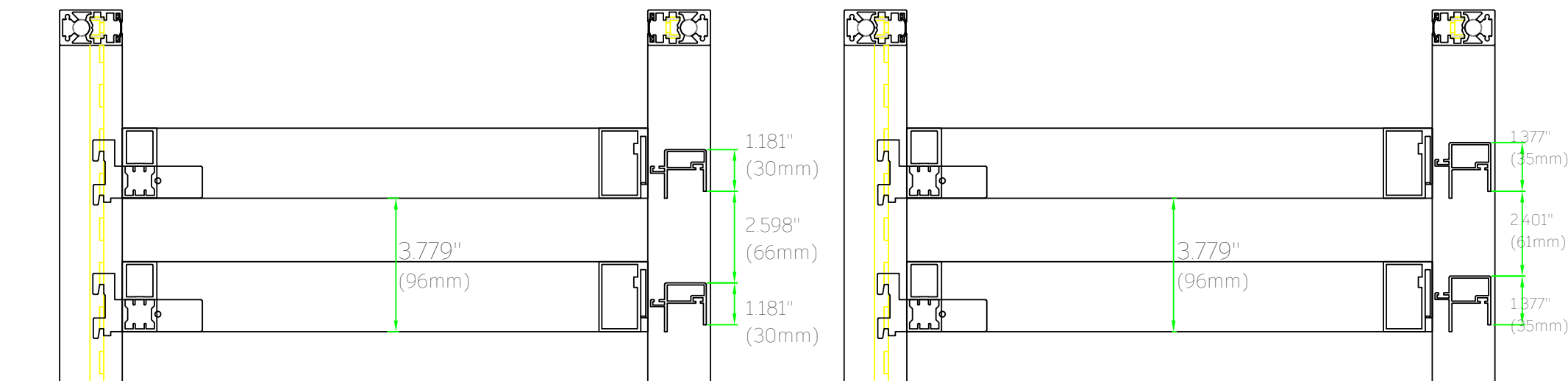
MB-130 profiles



MB-40 Profiles

MB-55 Profiles

My be Trays



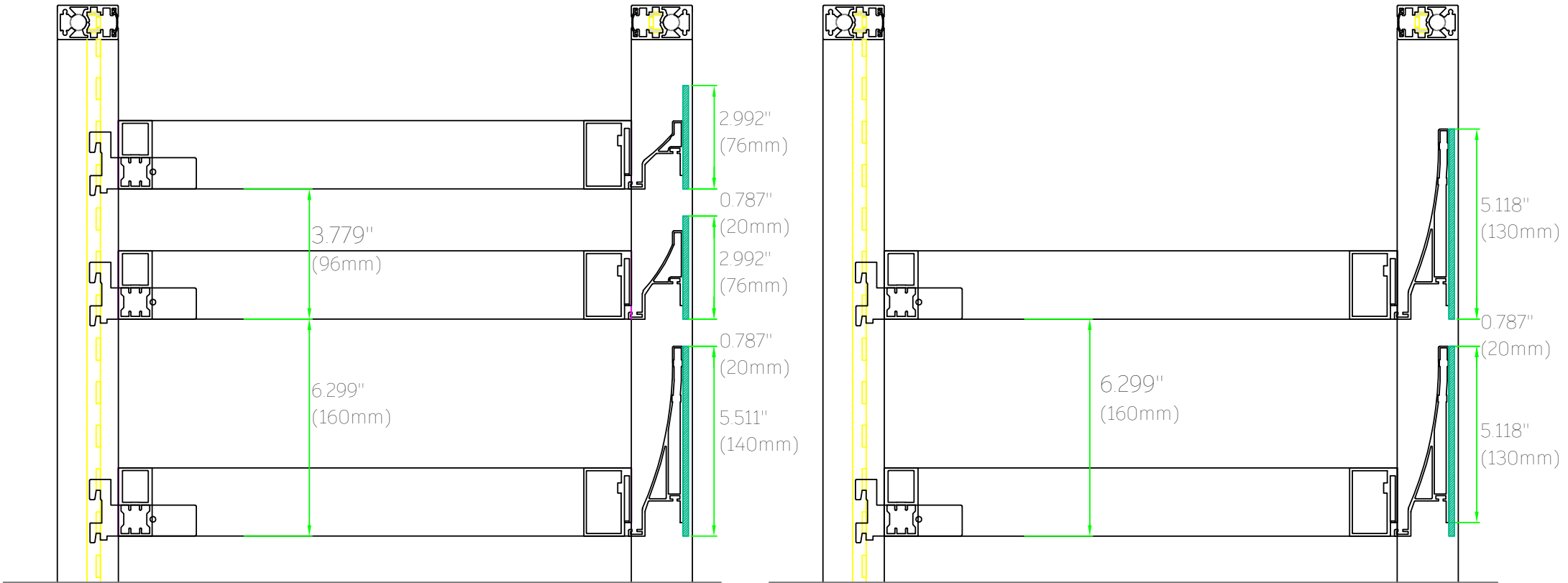
MB-30 Profiles

MB-35 Profiles



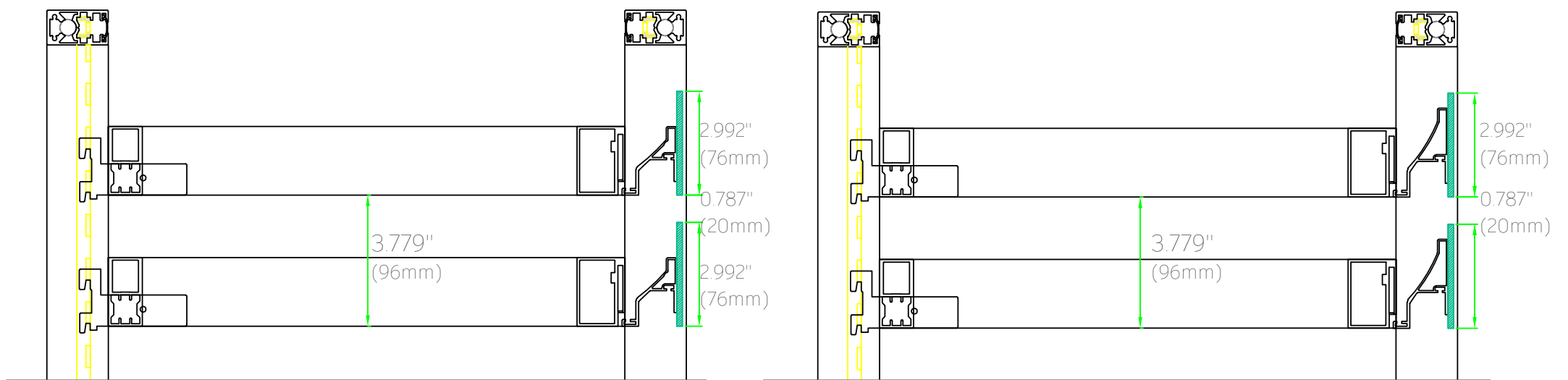
Drawers/trays position on wardrobe with Aluminium sides

My be Drawer with 3 Aluminium sides and wooden/glass front



MB-40 / MB-55 / MB-130 profiles

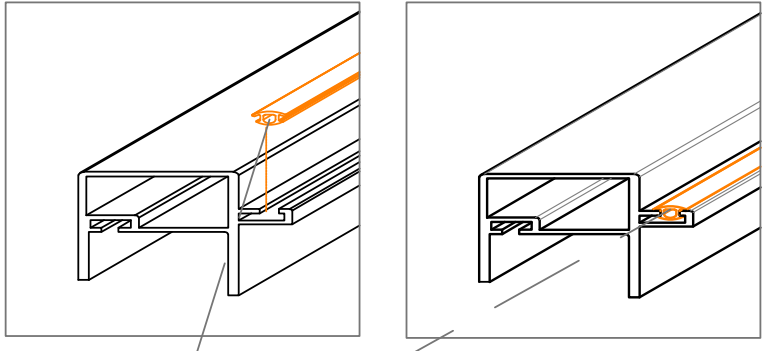
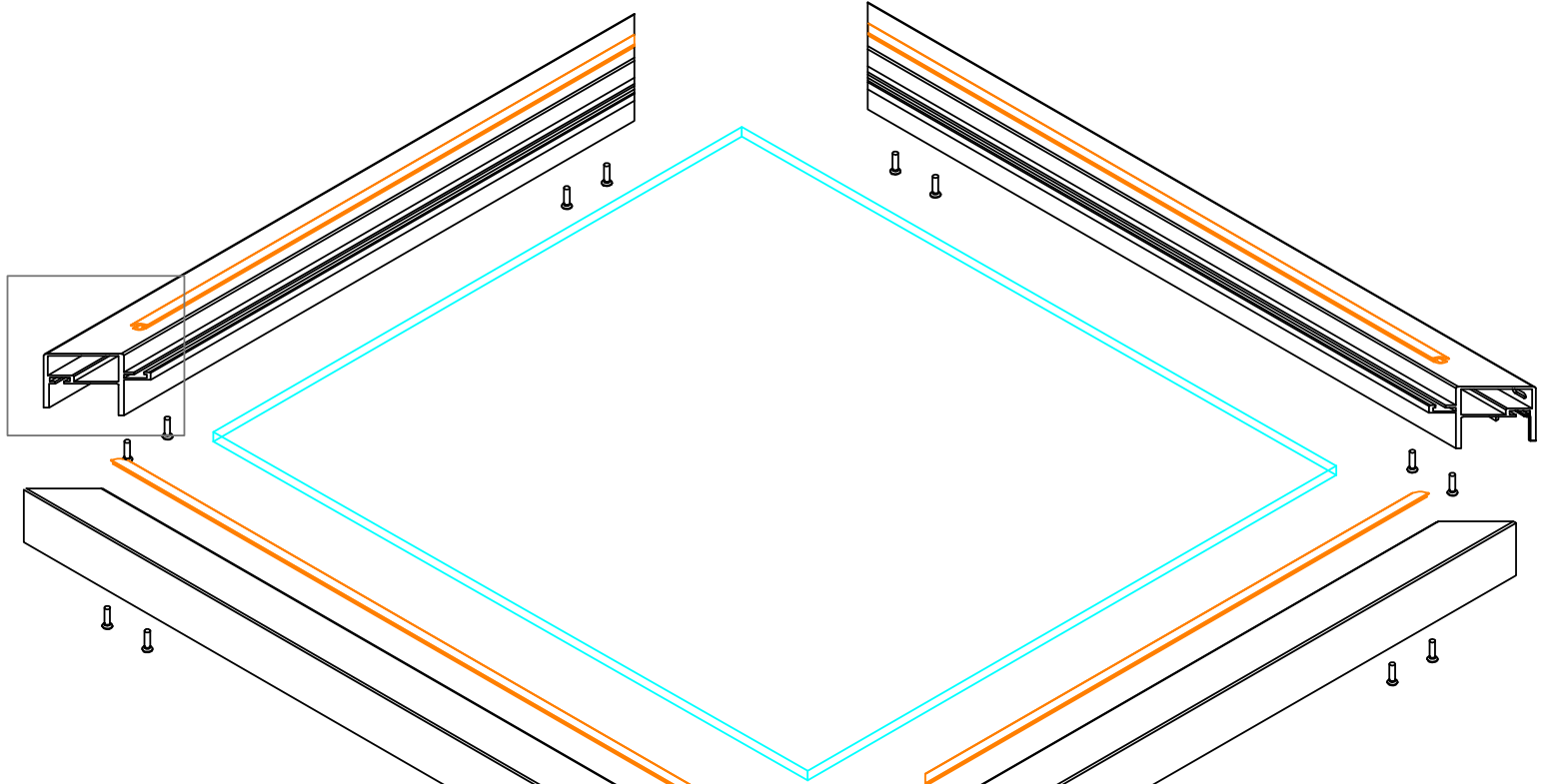
MB-130 profiles



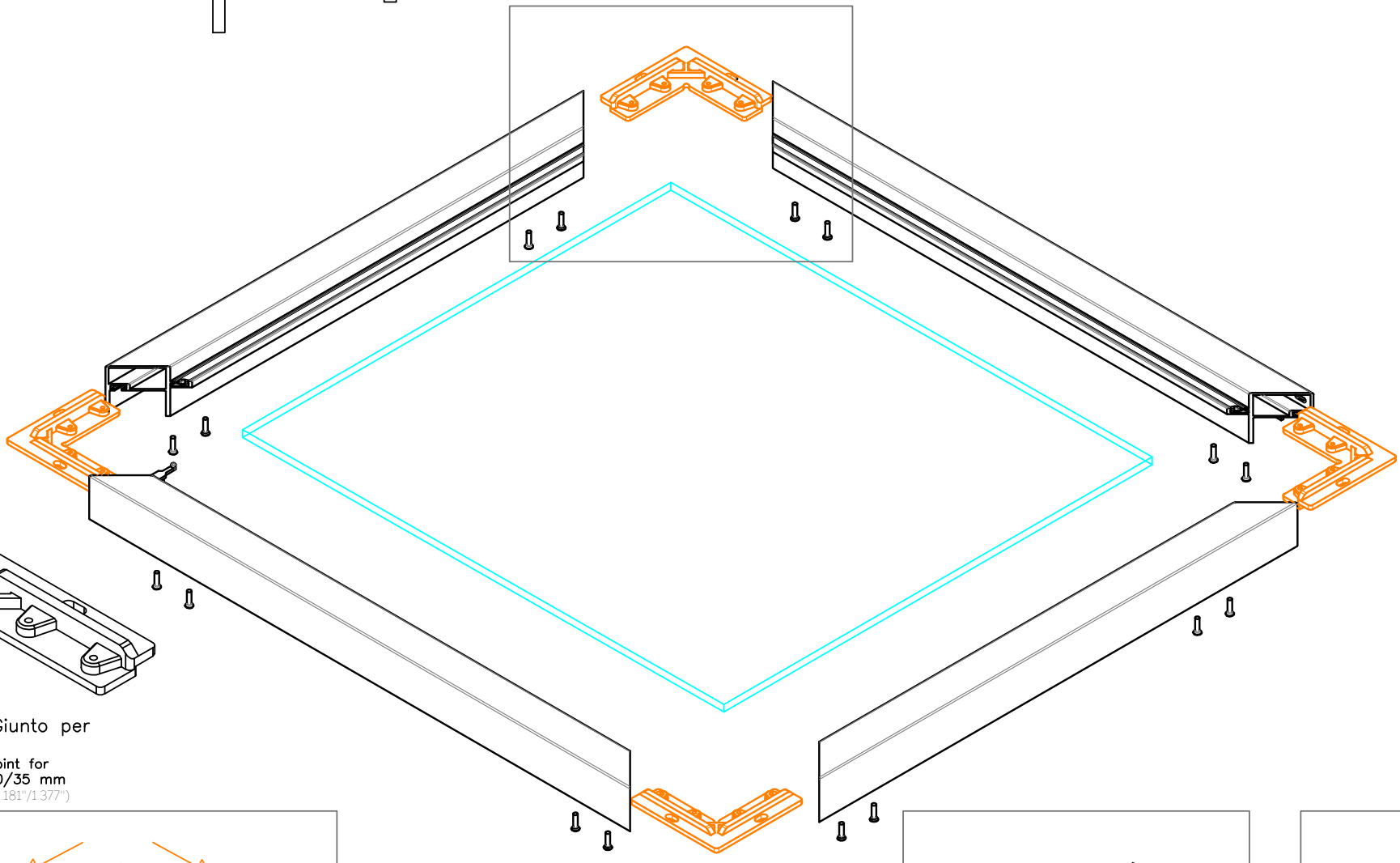
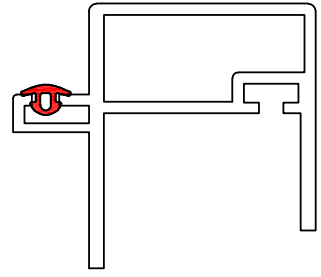
MB-40 Profiles

MB-55 Profiles

Assembly instructions: My Be Tray

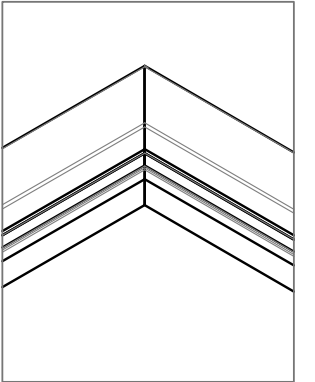
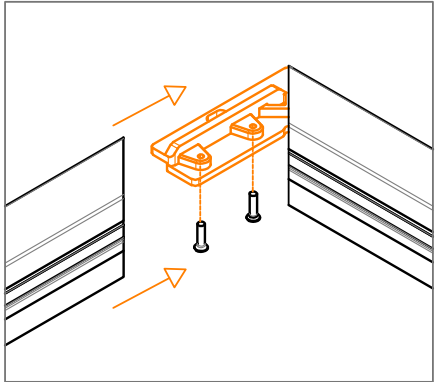
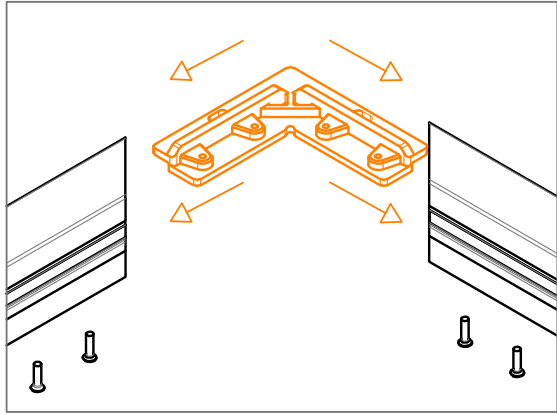


MB-GU-N
Gasket

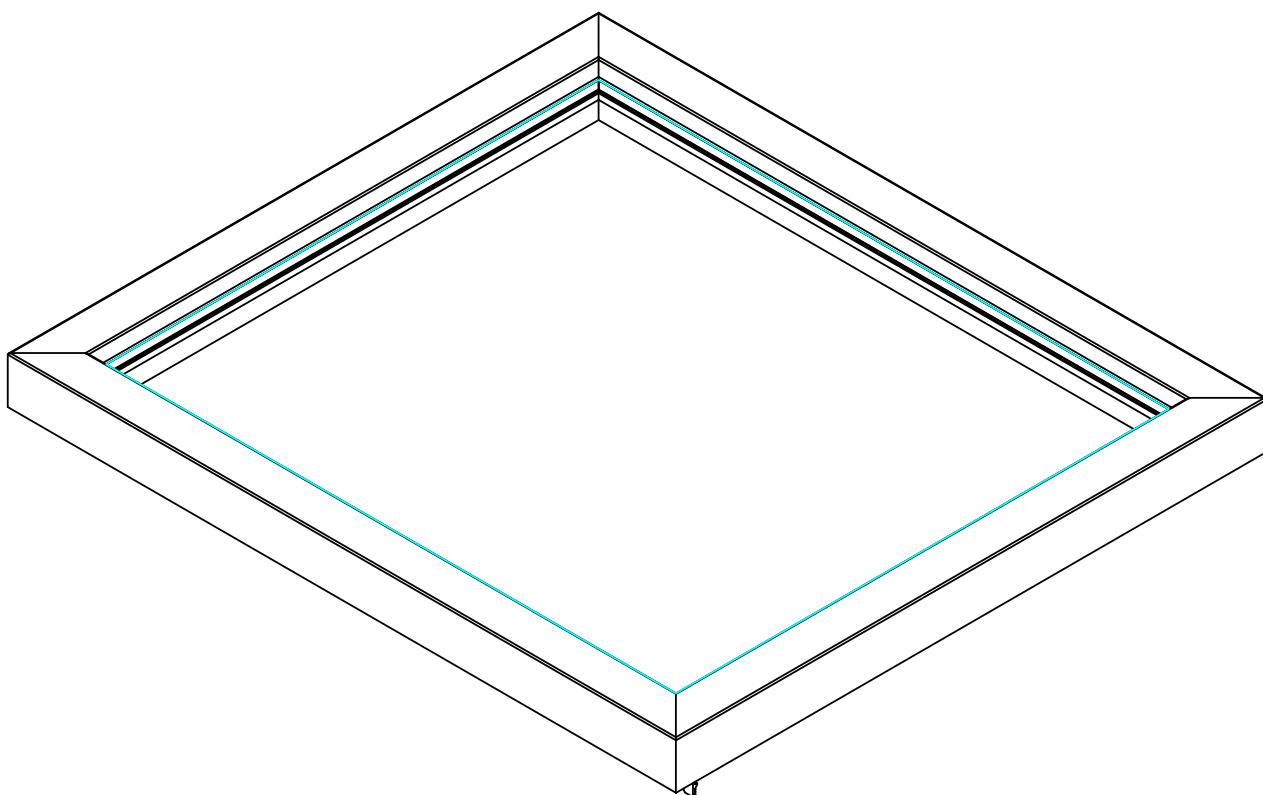
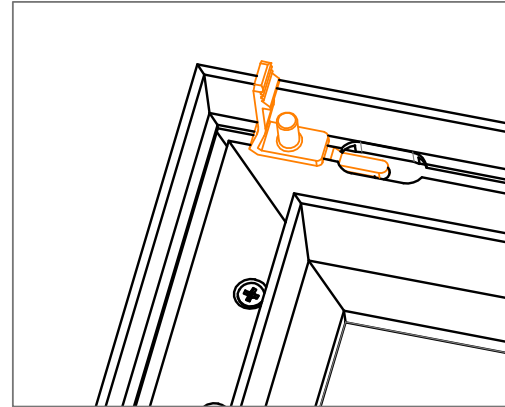
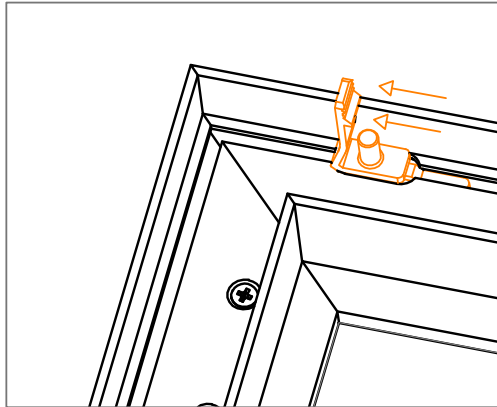
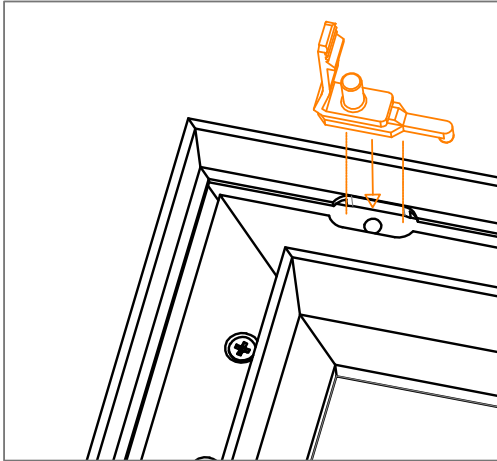
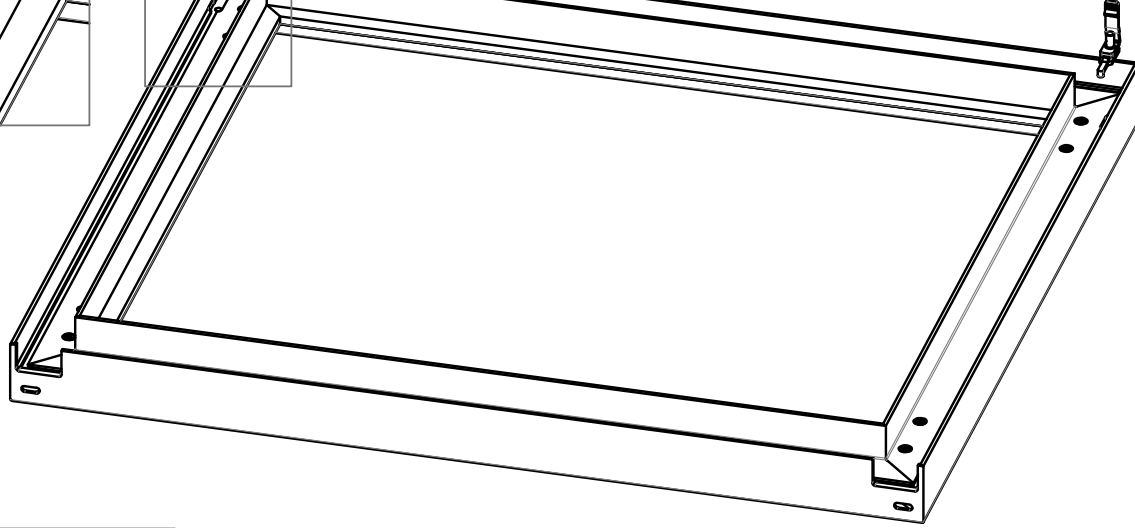
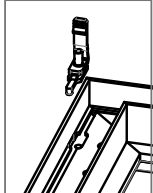
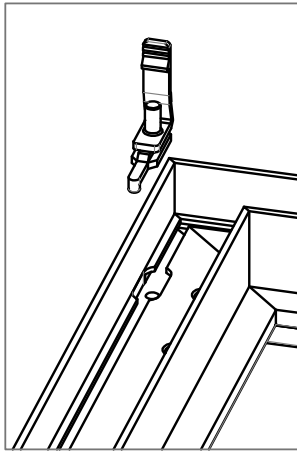


MB-G-3035 Giunto per

Connecting joint for
Trays height 30/35 mm
(118"/137")

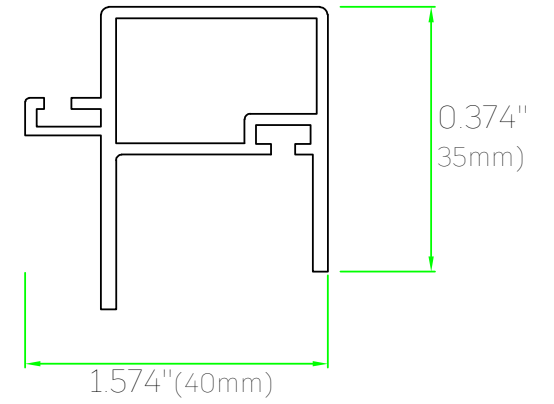
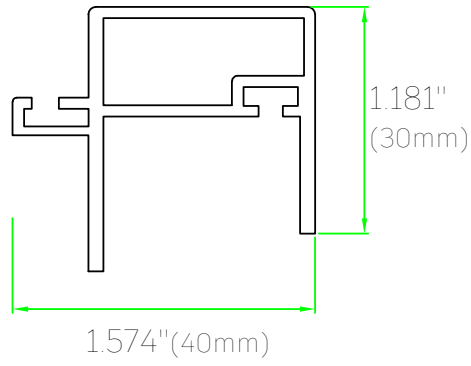
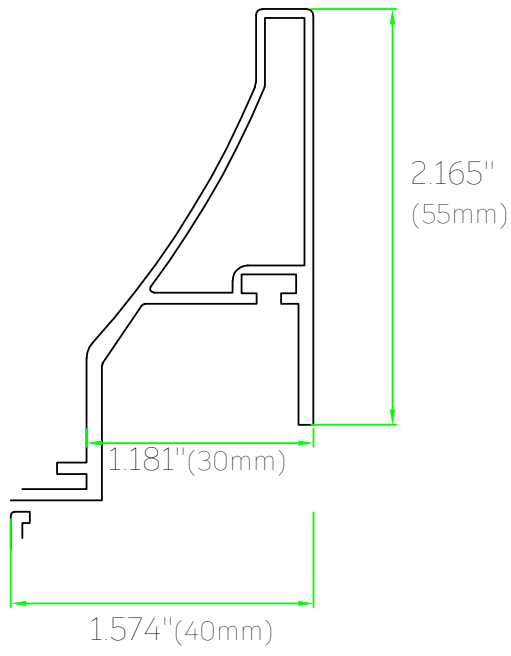


MB-AGG-GUI-REG-N
Rail hook



My Be Tray and drawer accessor

Accessories to use with Profiles:

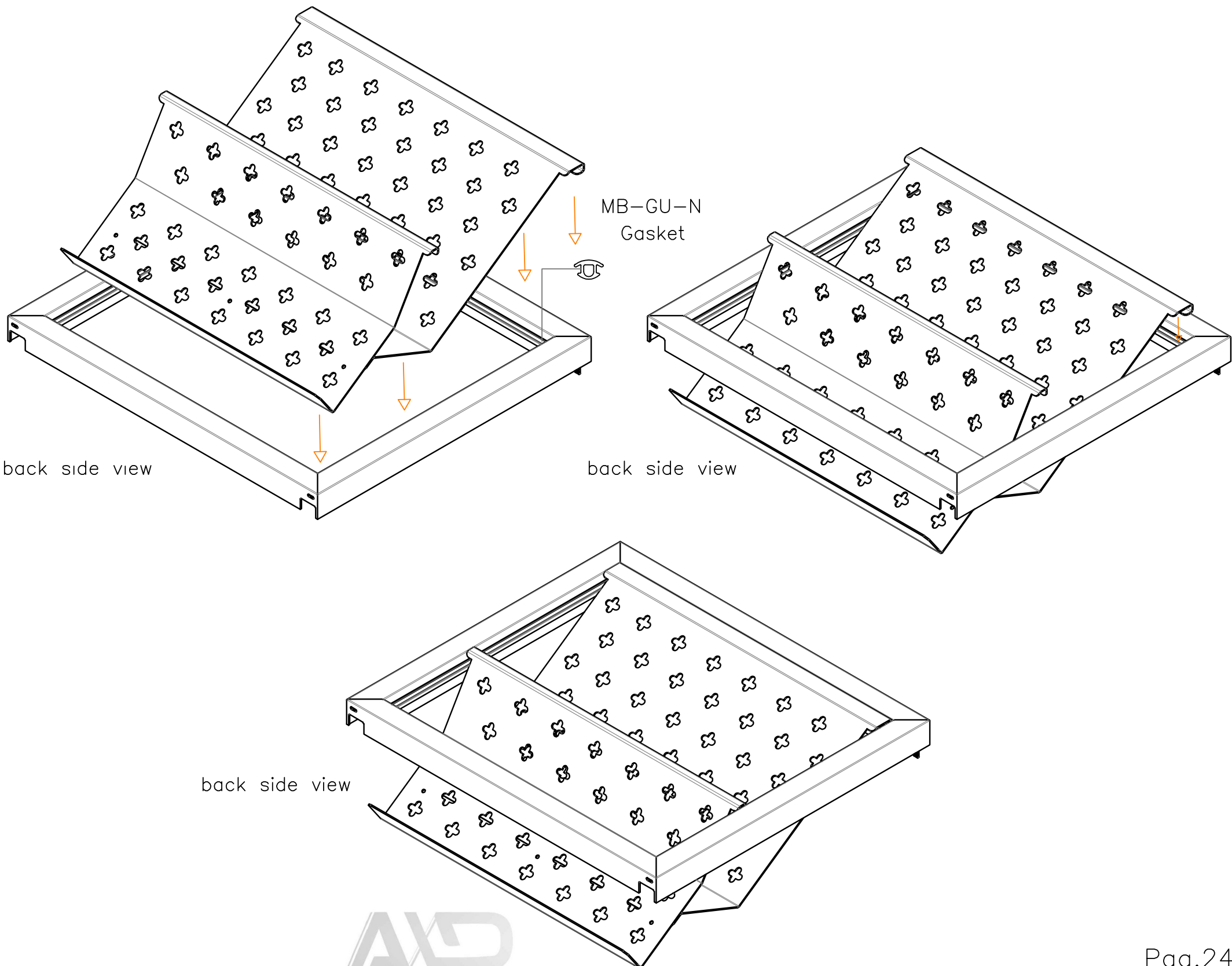


Drawer profile height 55 mm (2.165")

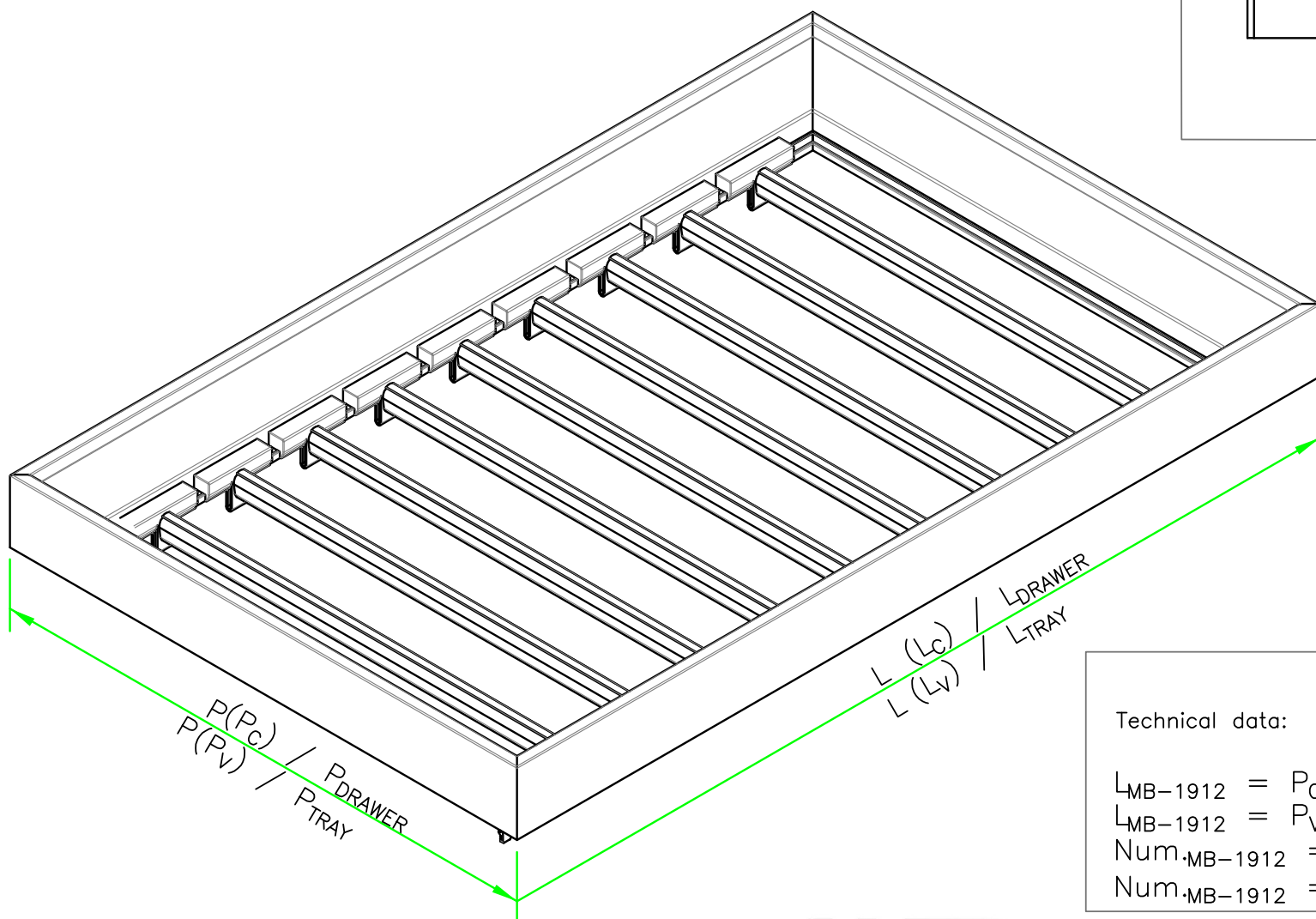
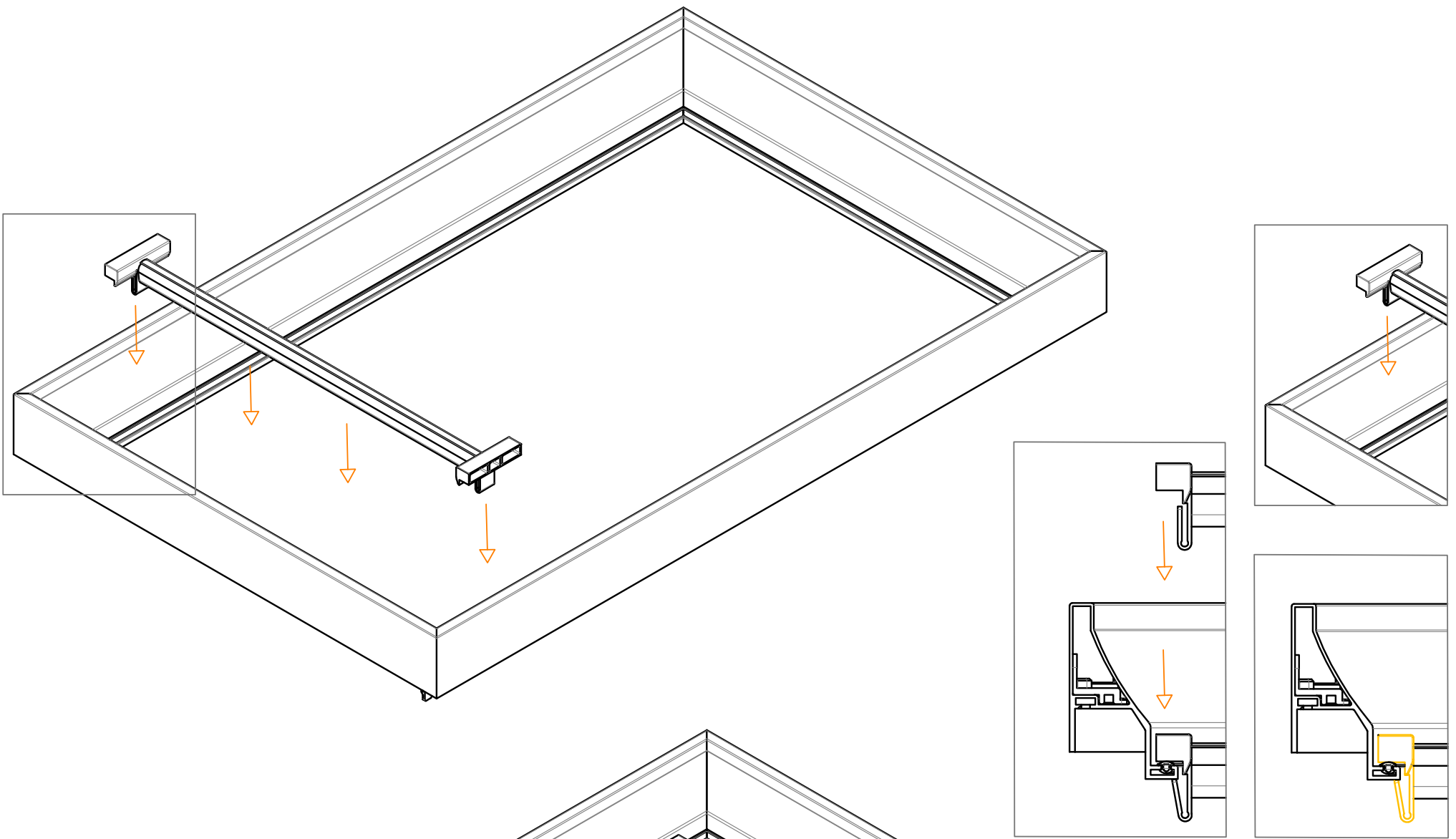
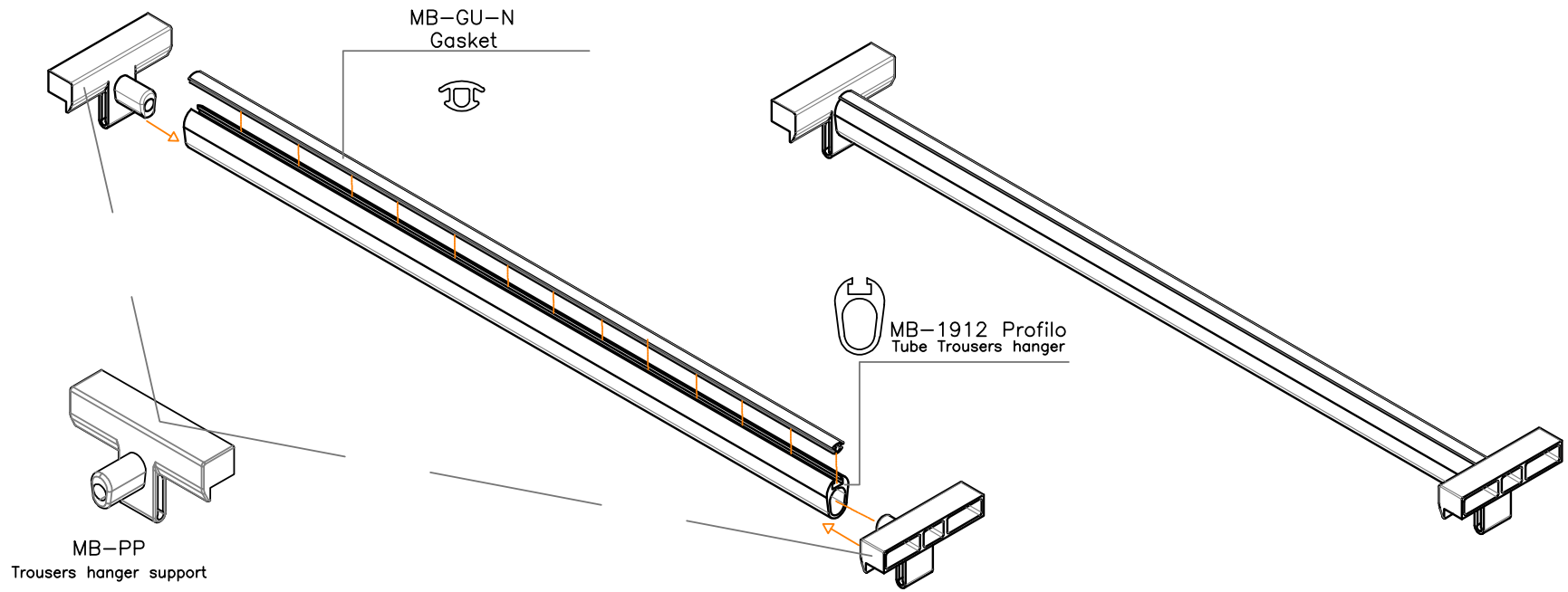
Tray profile height 30 mm (1.181")

Tray profile height 35 mm (0.374")

Shoes holder



Trousers holder



Technical data:

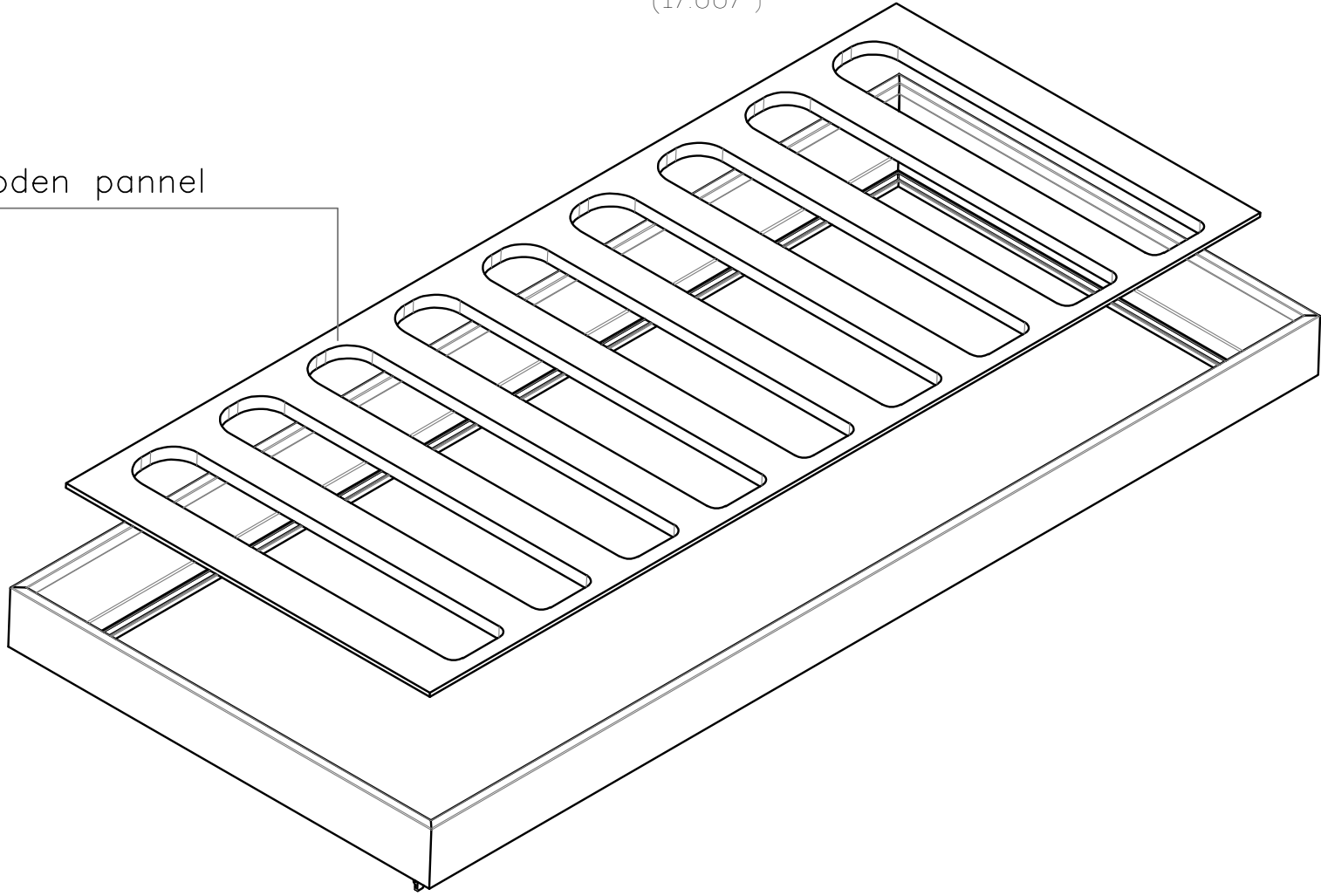
| | | | |
|----------------|---|-------|-----------------------------|
| $L_{MB-1912}$ | = | P_c | -3.464"(88mm) |
| $L_{MB-1912}$ | = | P_v | -3.464"(88mm) |
| Num· $MB-1912$ | = | L_c | -4.133"(105mm)/2.165"(55mm) |
| Num· $MB-1912$ | = | L_v | -4.133"(105mm)/2.165"(55mm) |



Bottle holder

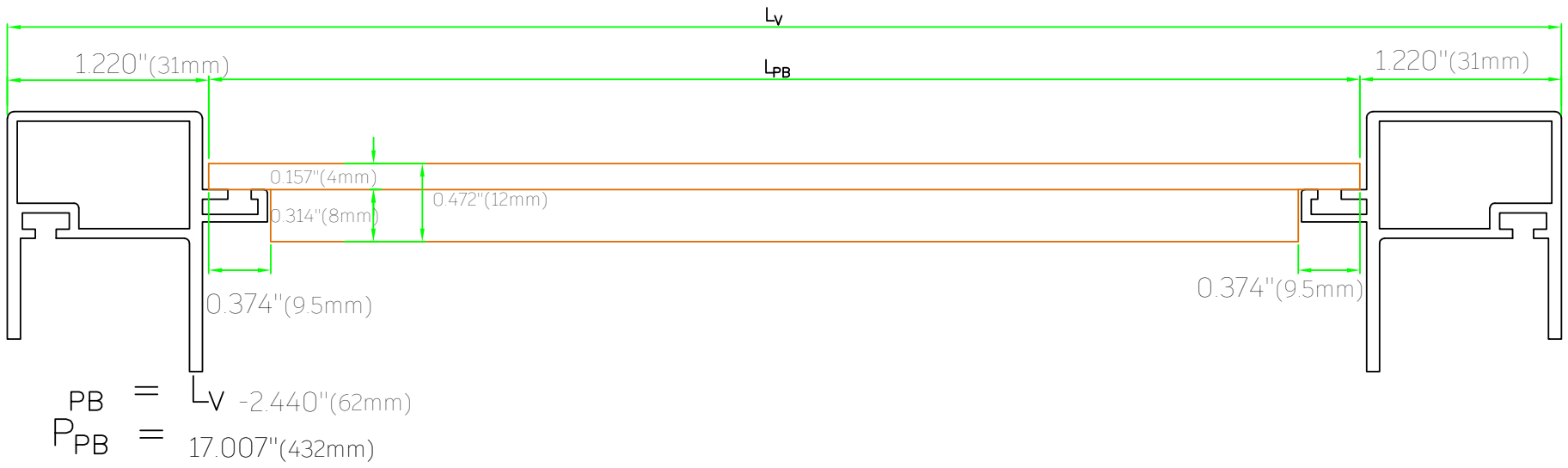
To be use only with drawers and trays of 492 mm
(17.007")

Bottle wooden pannel

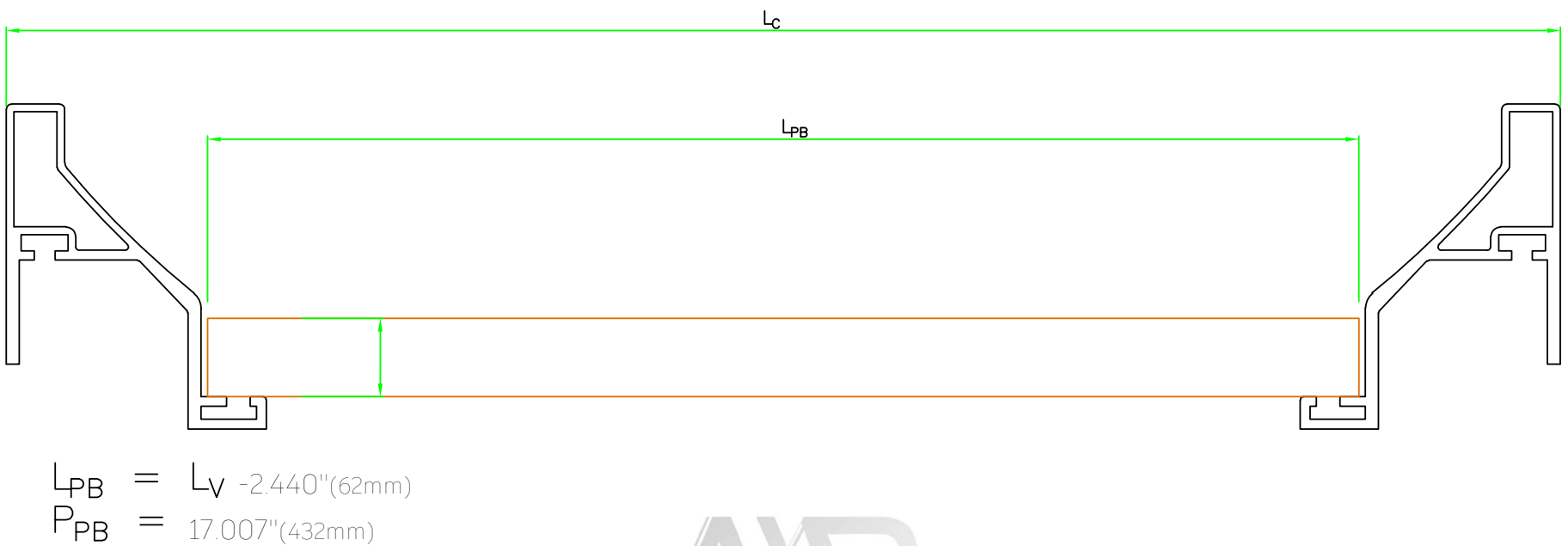


Technical data of bottle wooden pannel

Tray profiles: MB-30 / MB-35

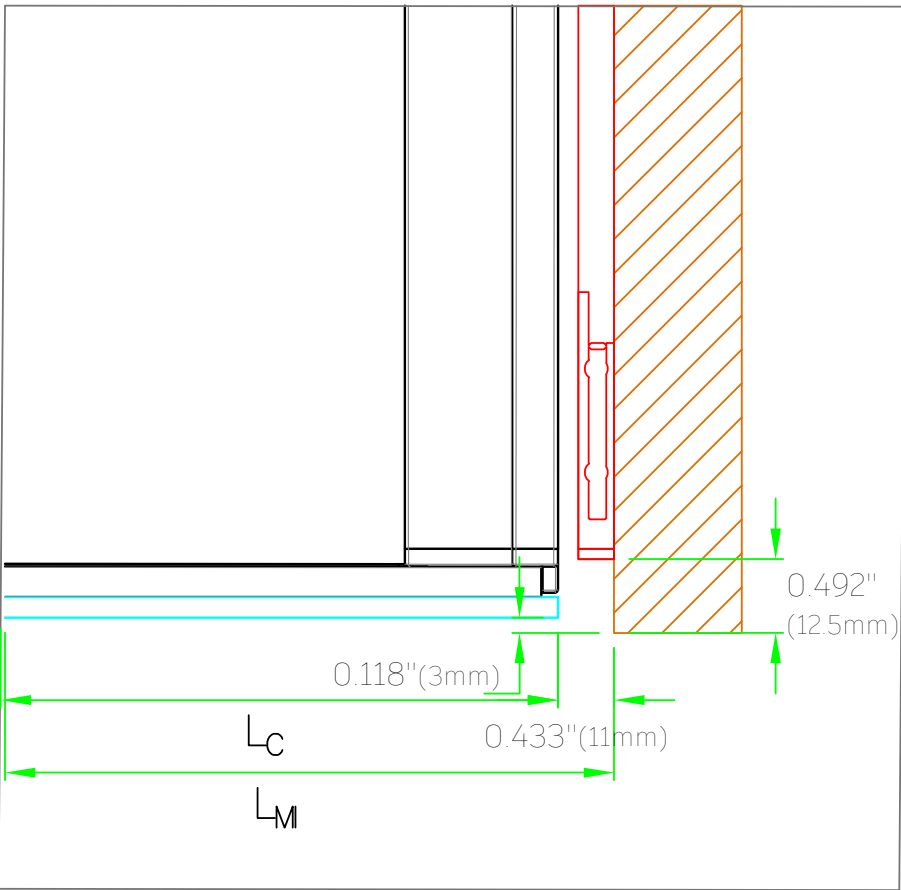


Drawer profiles: MB-40 / MB-55 / MB-130



Drawer and trays inside wardrobe with wooden side, no doors, with spacer profile MB-750

Drawers with 3 aluminium sides and glass or wood front

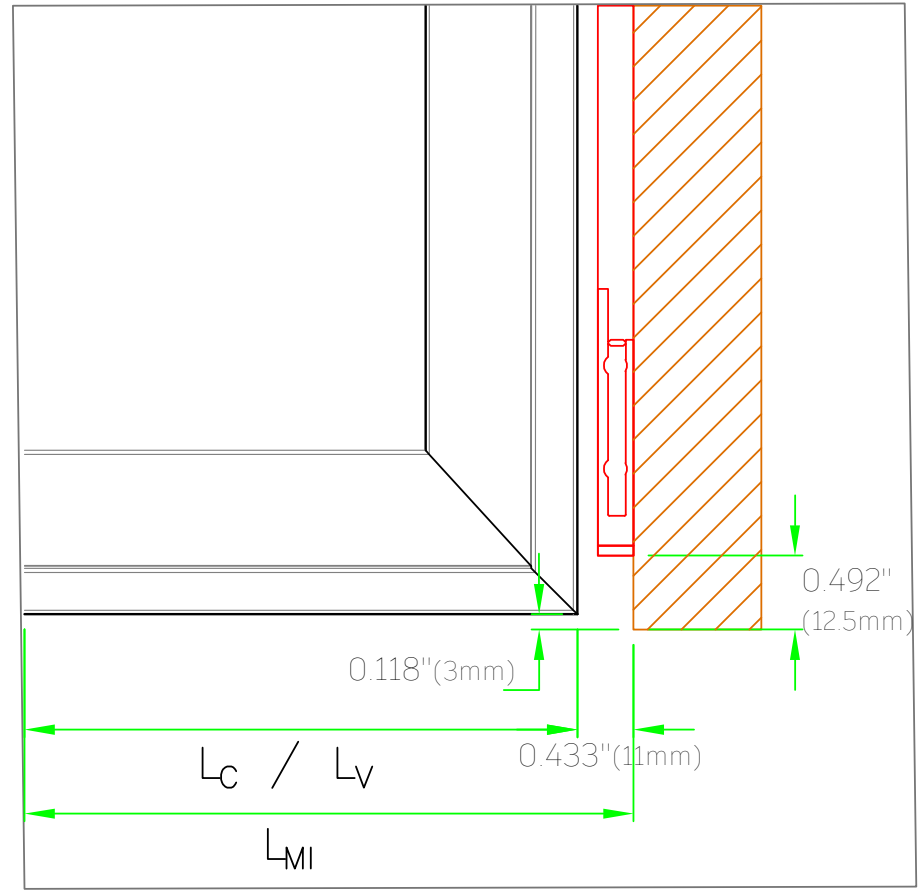


$(L_{\text{Cassetto}} / L_{\text{Drawer}}) L_C = L_M - 0.866''(22\text{mm})$

Drawer bottom:

$L = L_C$
 $P = P_C$

Drawers and tray 4 aluminium sides



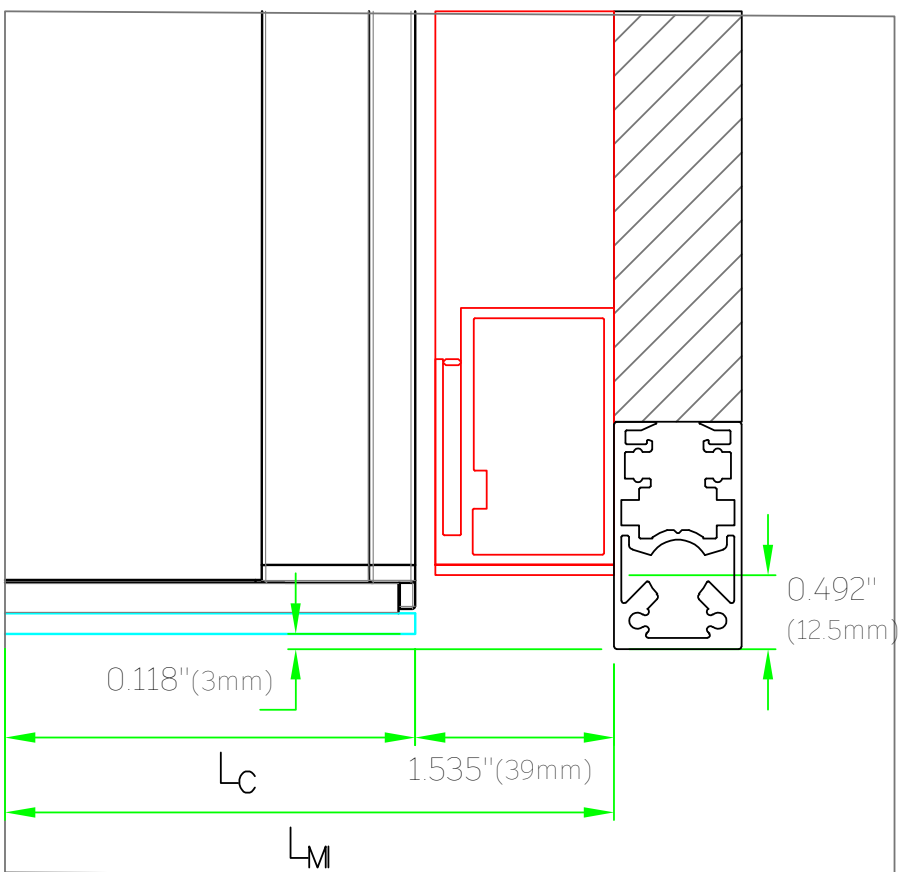
$(L_{\text{Cassetto}} / L_{\text{Drawer}}) L_C = L_{MI} - 0.866''(22\text{mm})$

$(L_{\text{Vassoio}} / L_{\text{Tray}}) L_V = L_{MI} - 0.866''(22\text{mm})$

Drawer bottom:

$L = L_C$
 $P = P_C$

Drawer and trays inside wardrobe with Aluminium side, with doors and spacer profile MB-3350

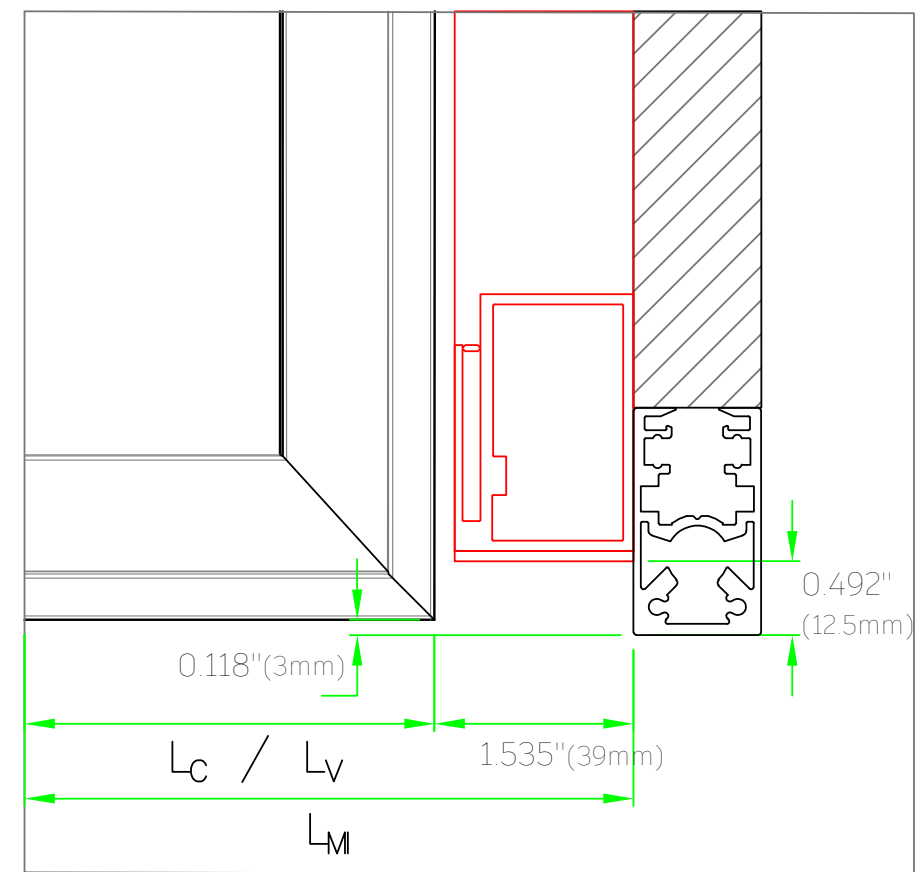


$(L_{\text{Cassetto}} / L_{\text{Drawer}}) L_C = L_M - 3.070''(78\text{mm})$

Base cassetto :

Drawer bottom:

$L = L_C - 2.440''(62\text{mm})$
 $P = P_C - 1.653''(42\text{mm})$



$(L_{\text{Cassetto}} / L_{\text{Drawer}}) = L_M - 3.070''(78\text{mm})$

$(L_{\text{Vassoio}} / L_{\text{Tray}}) = L_M - 3.070''(78\text{mm})$

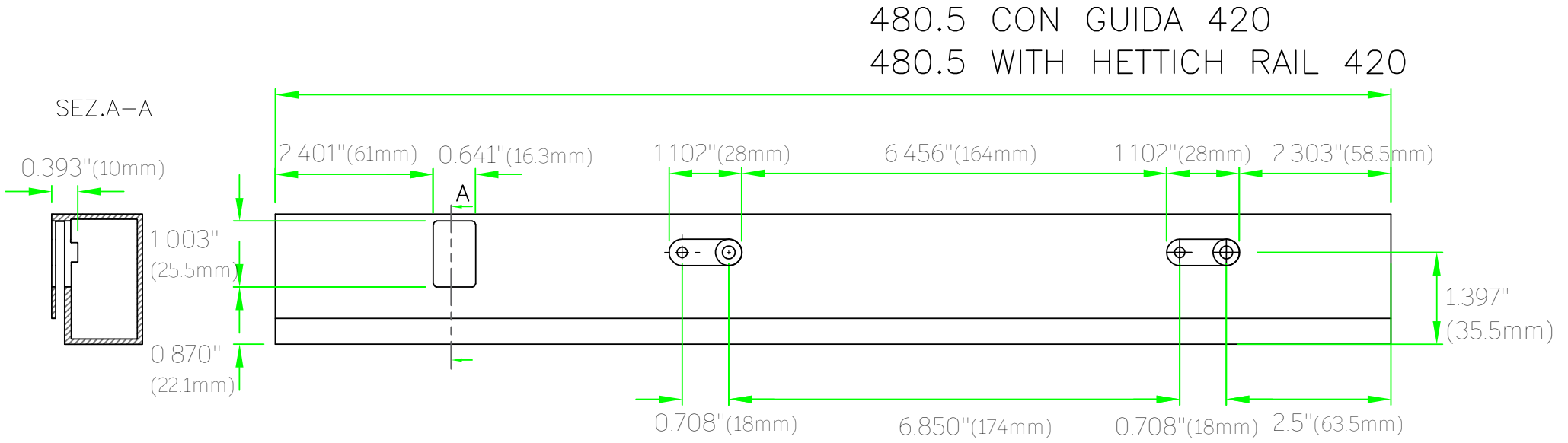
Base cassetto :

Drawer bottom:

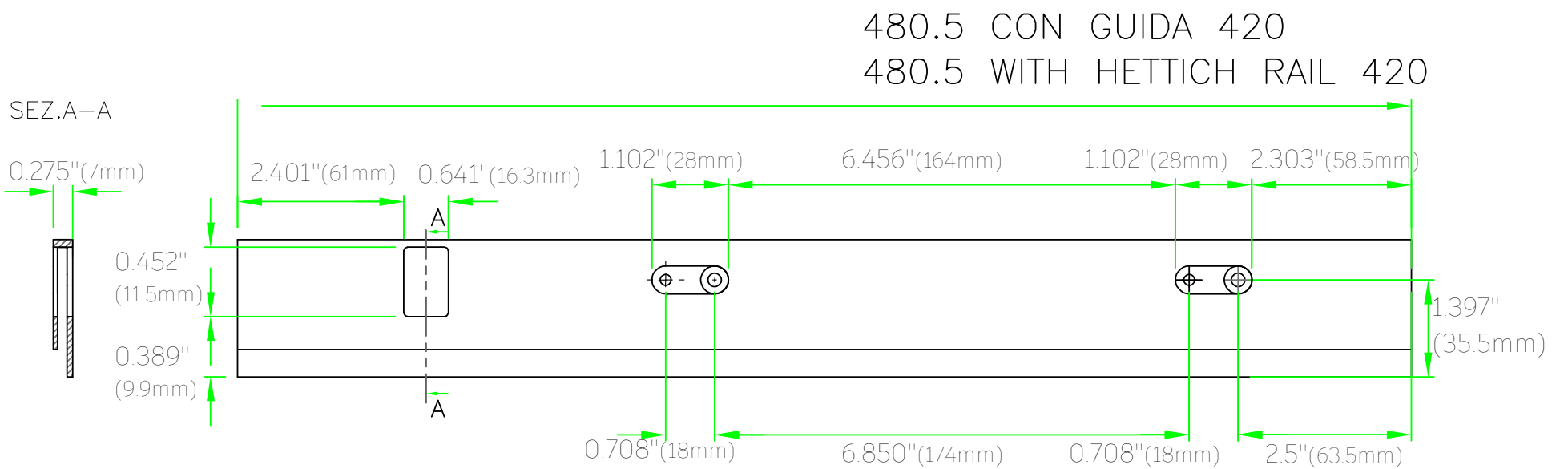
$L = L_C - 2.440''(62\text{mm})$
 $P = P_C - 2.440''(62\text{mm})$



working details for right spacer profiles MB-3550 for drawer with LED
for wardrobe with aluminium sides and doors

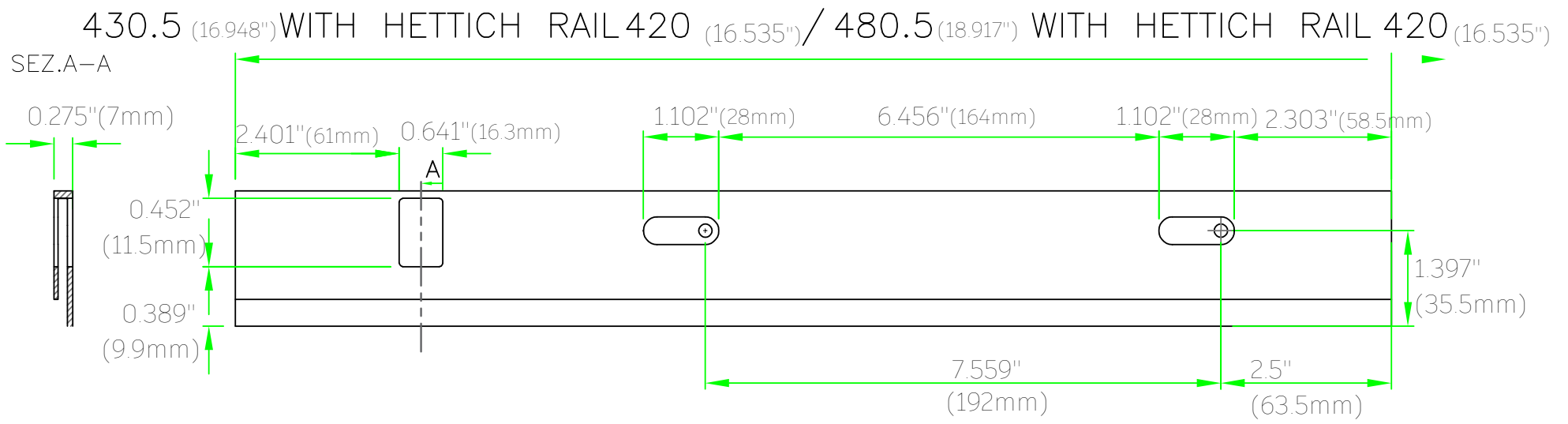


working details for right spacer profiles MB-750 for drawer with LED
for wardrobe with aluminium sides without doors

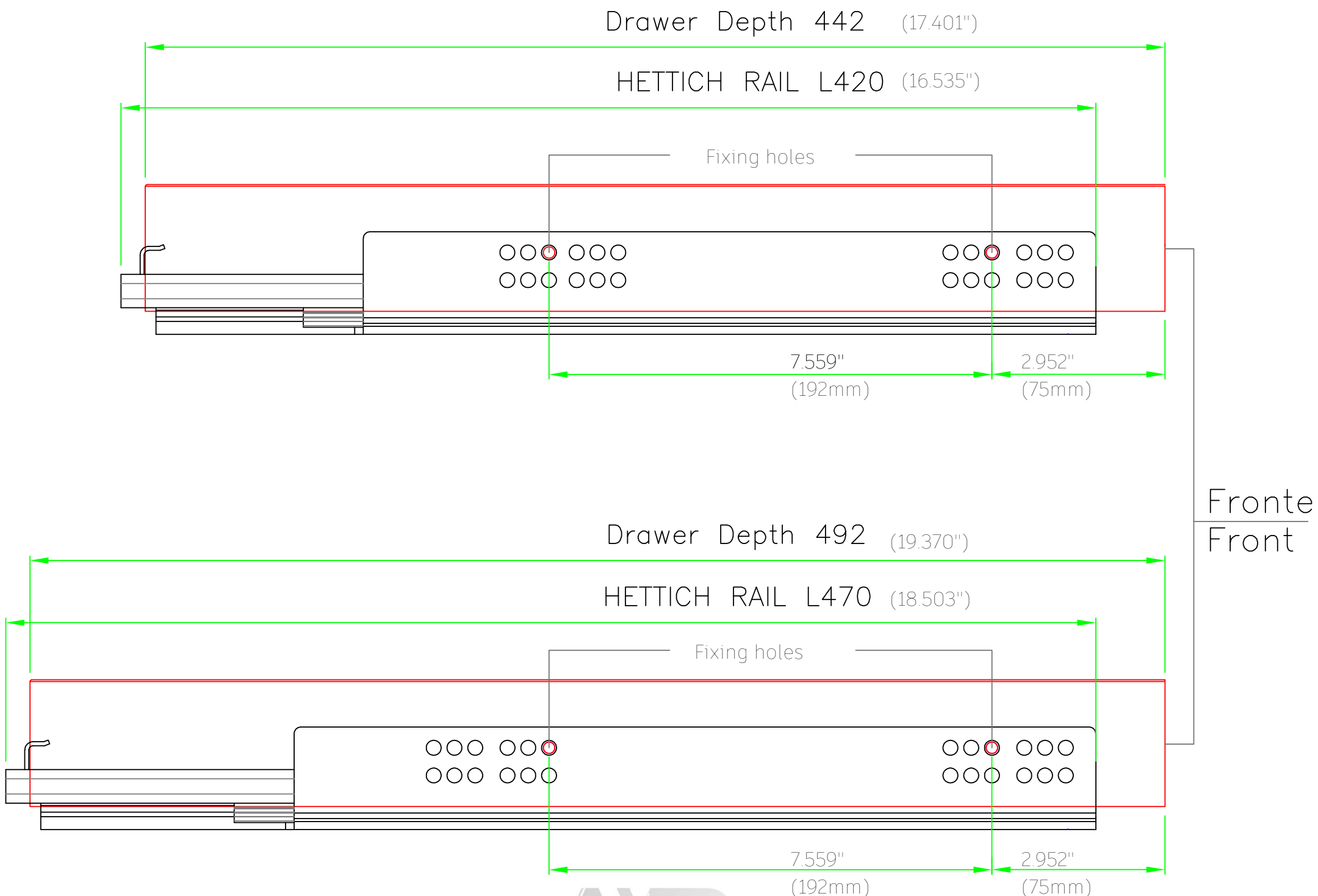


con led per armadio con sponde legno senza ante

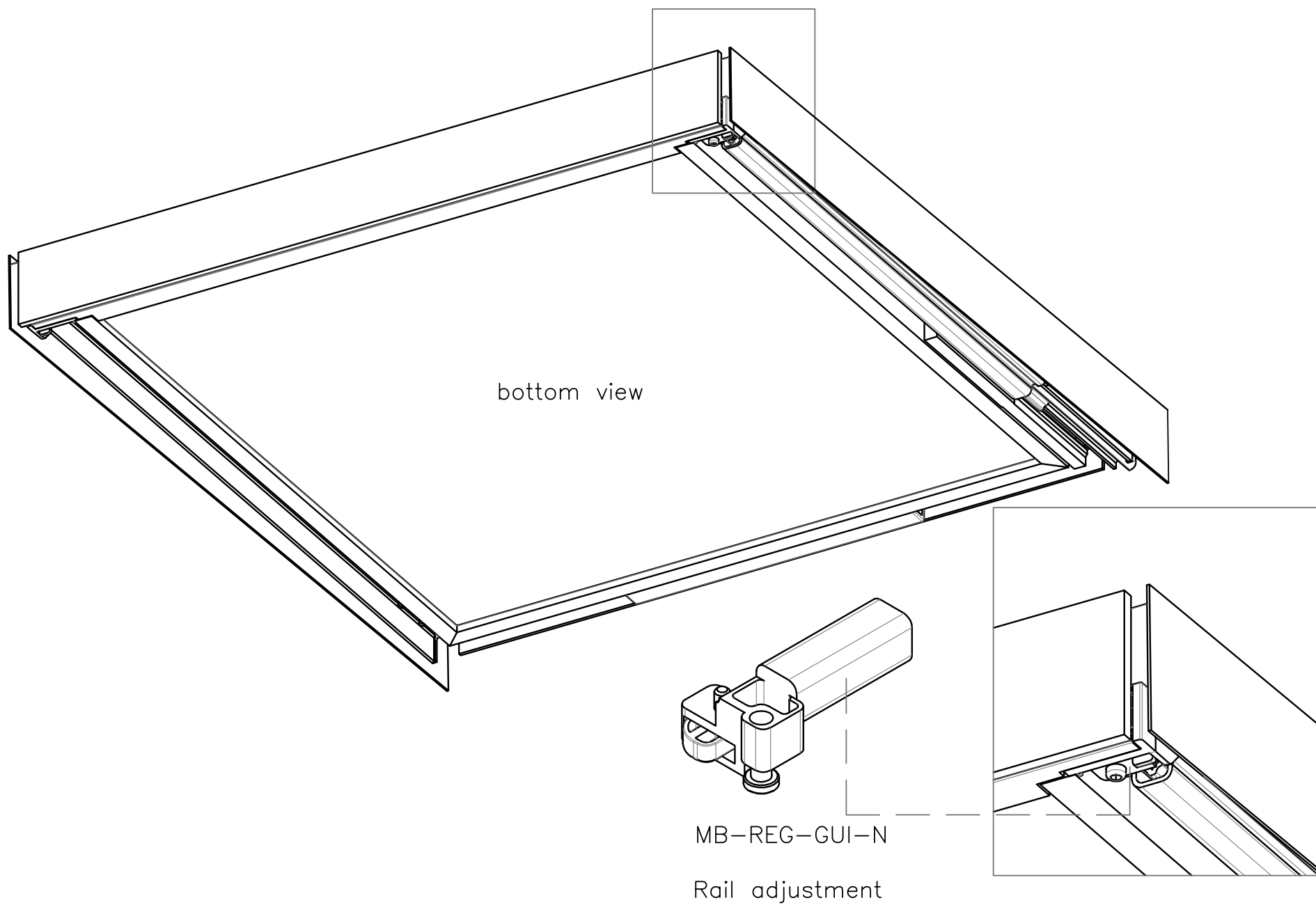
working details for right spacer profiles MB-750 for drawer with LED
for wardrobe with wooden sides without doors



Instruction for fixing of drawers/trays rails

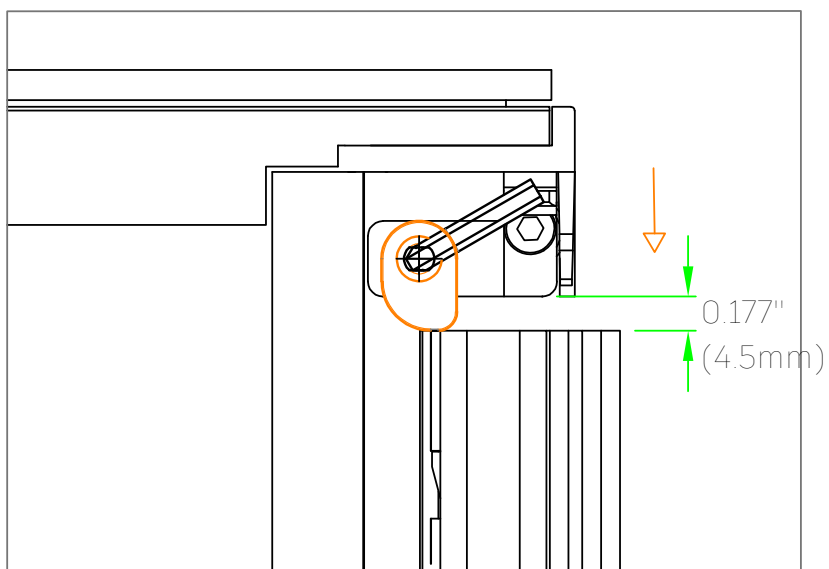
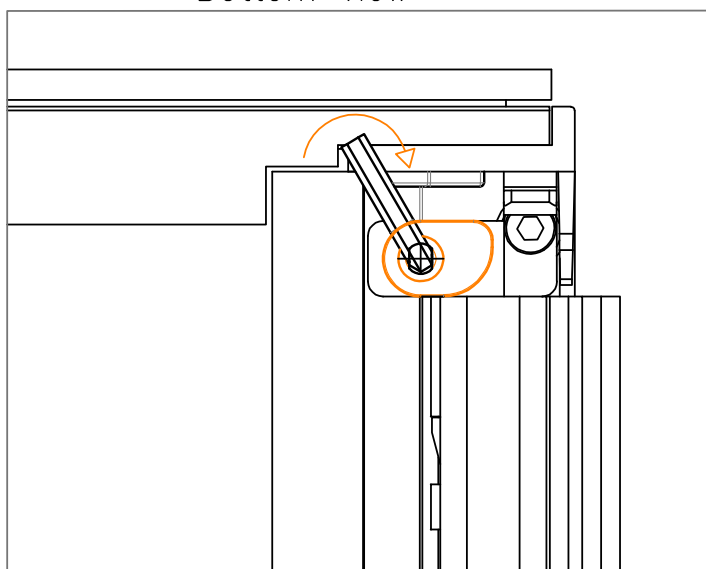


MY BE Drawers and Trays Adjustment



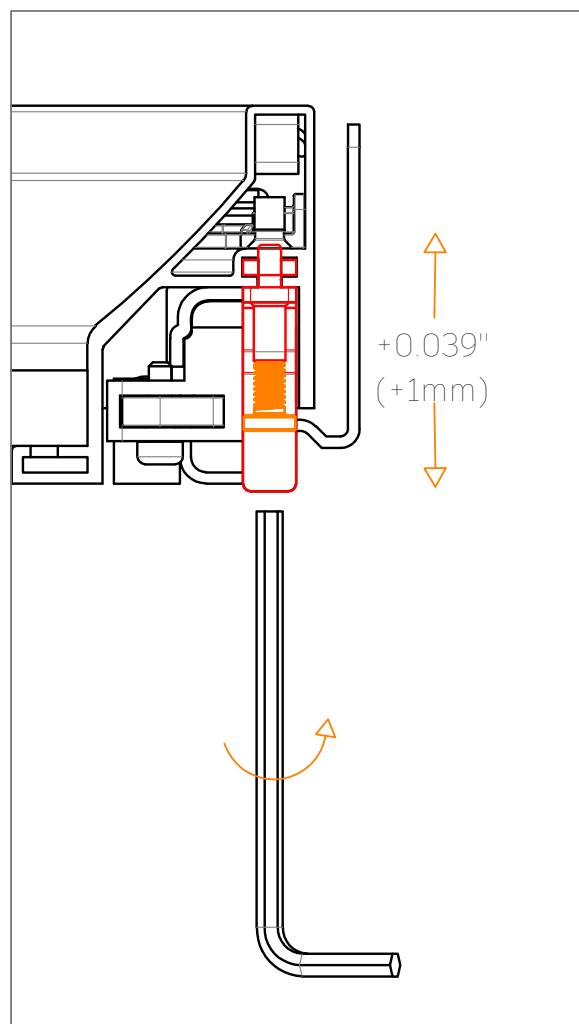
Depth adjustments

Bottom view



Height adjustments

Front view



Side view

