

## Stealth fisso+s orrevole

General features

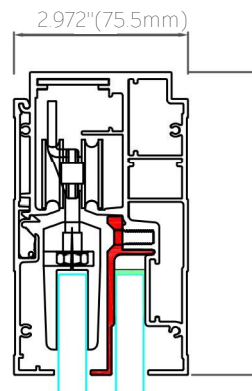
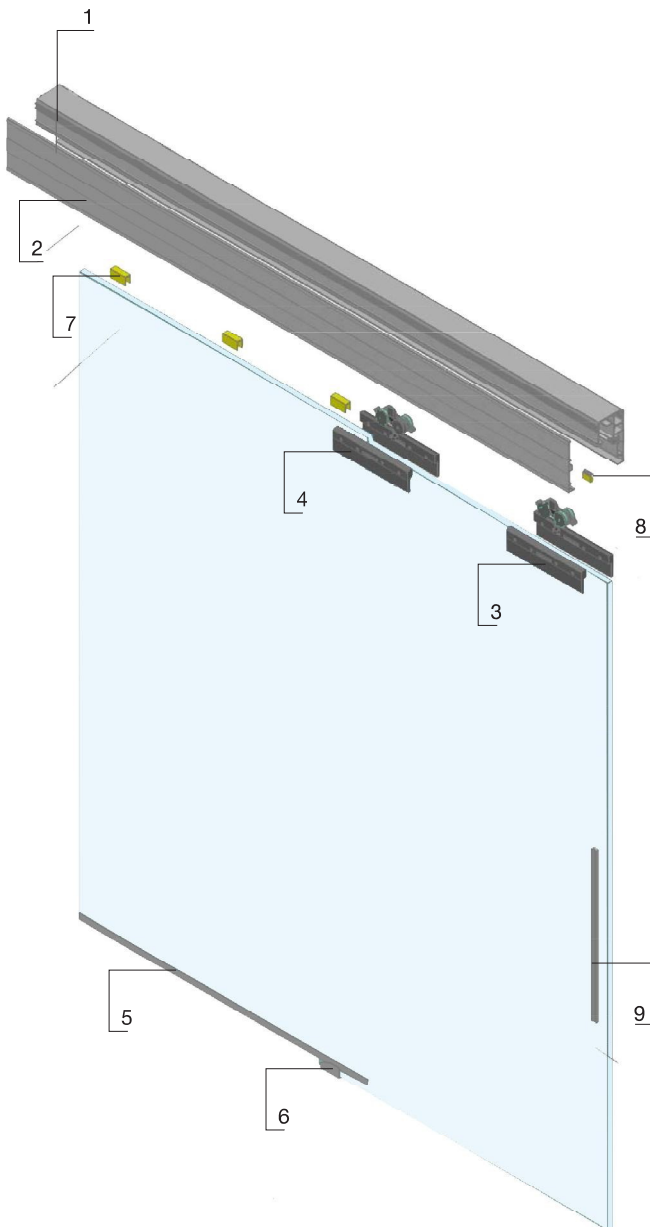


Stealth is a glass wall System for dividing interior spaces. The sliding and fixed doors can be of 8, 10 and 12mm, giving transparency and brightness to this esthetically and technically exclusive System. Rail, carter, adjustment profiles and clamps for glass are structural elements that allow an easy mounting and give flexibility and a very high esthetic quality to the System.

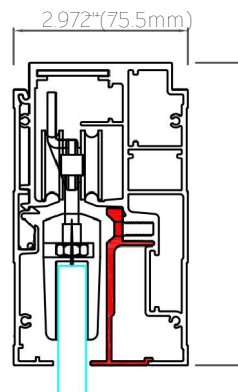
# Stealth fisso+scorrevole

Technical details

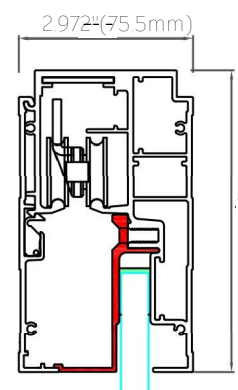
1. Rail ST-833
2. Covering carter ST-834
3. Clamp for glass including gasket
4. Carriage ST-970
5. Floor profile
6. Guide for sliding door



10 System with sliding and fixed glass.  
Adjustment profile ST-835



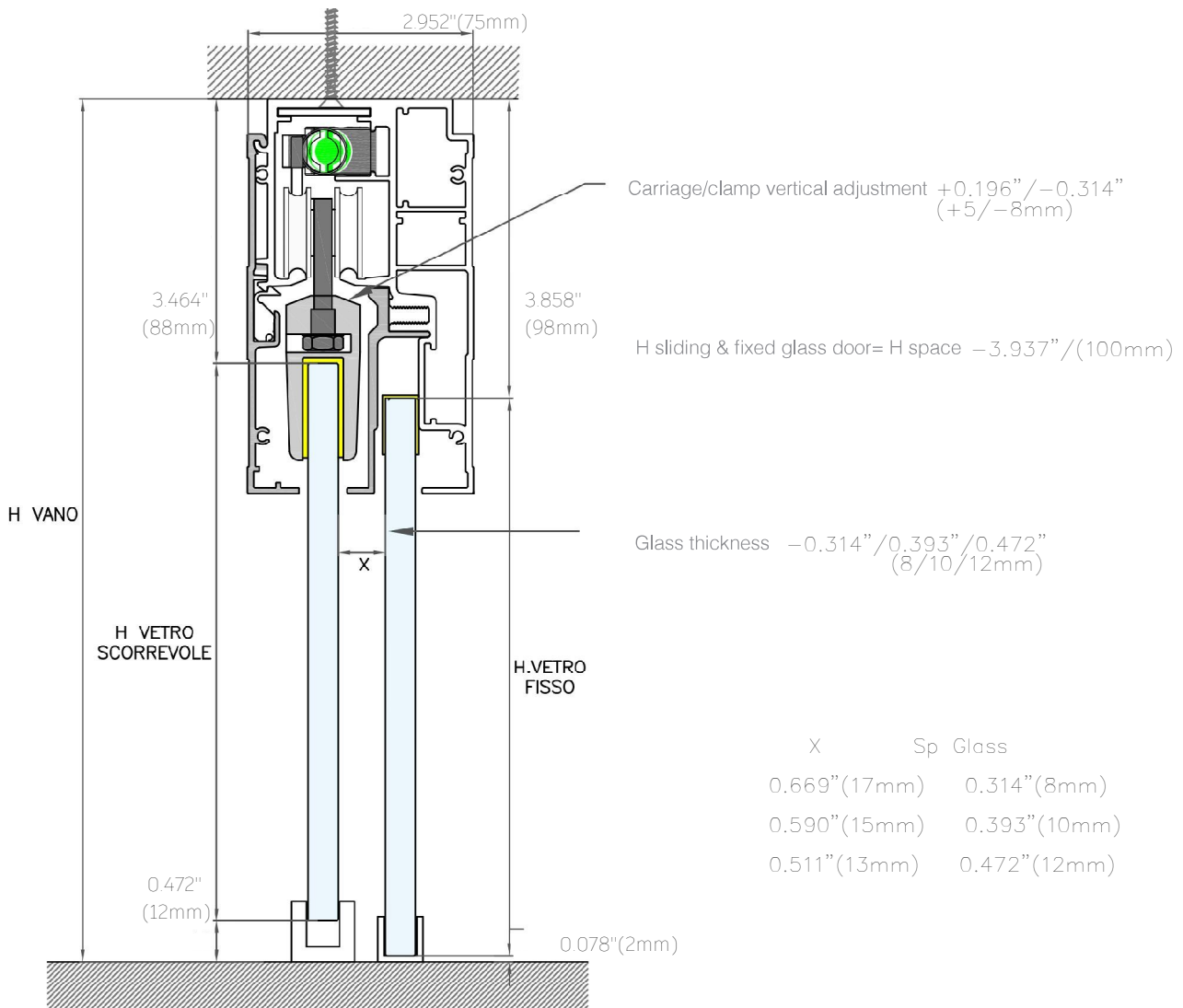
11 System with sliding glass.  
Adjustment profile ST-836



12 System with fixed glass.  
Adjustment profile ST-837

7. Gasket for fixed glass
8. Fixing clip for carter
9. Handle ST-900

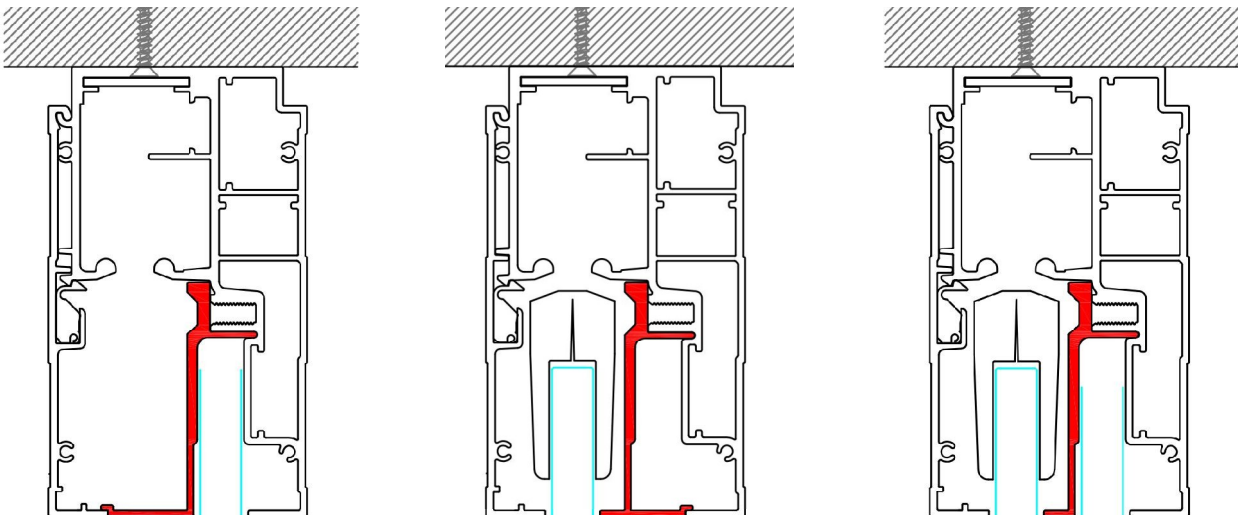
# Stealth fisso+scorrevole Technical details

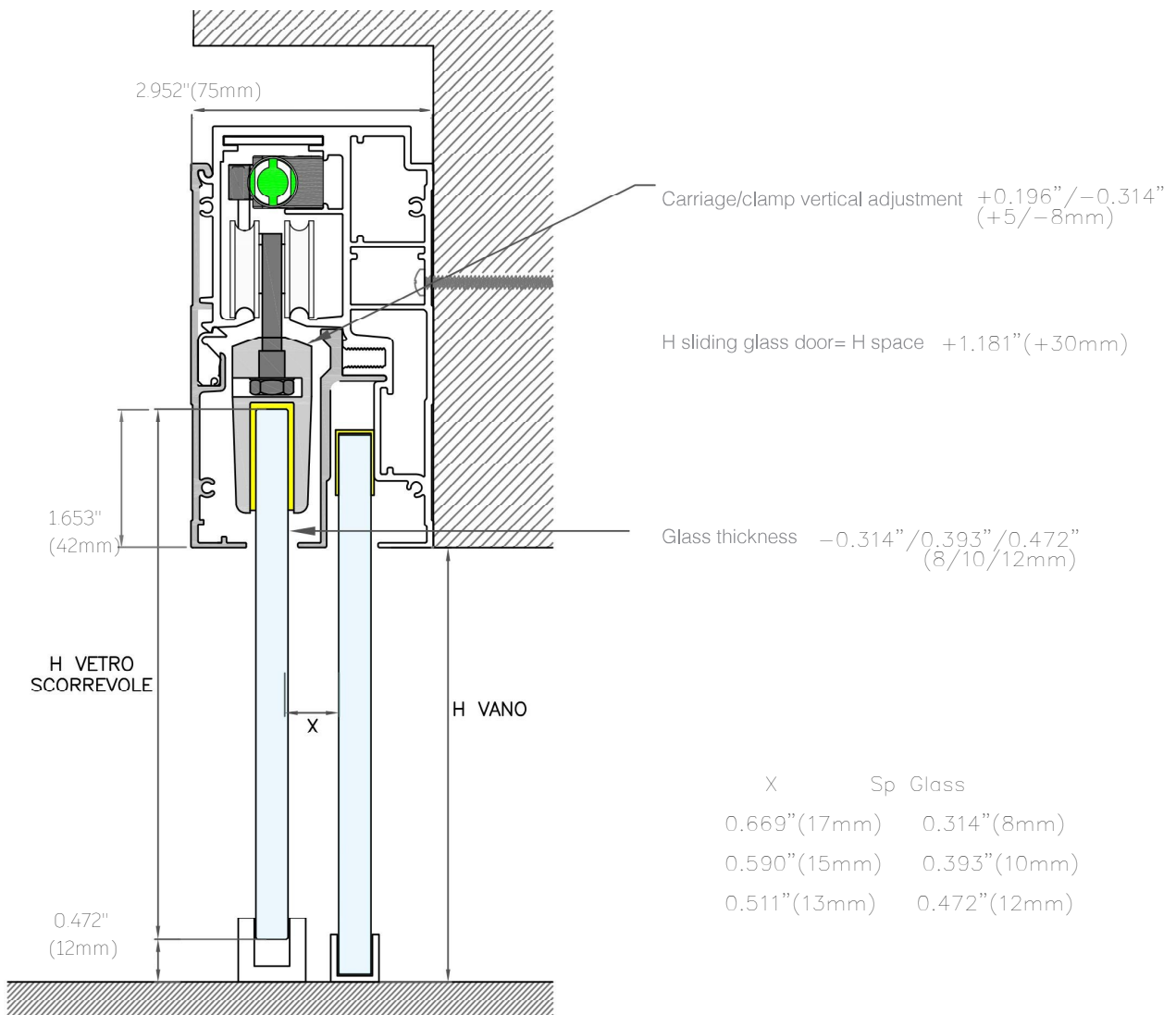


Closing profile for fixed glass ST-835F

Closing profile for sliding glass ST-835S

Closing profile for fixed and sliding glass ST-835FS

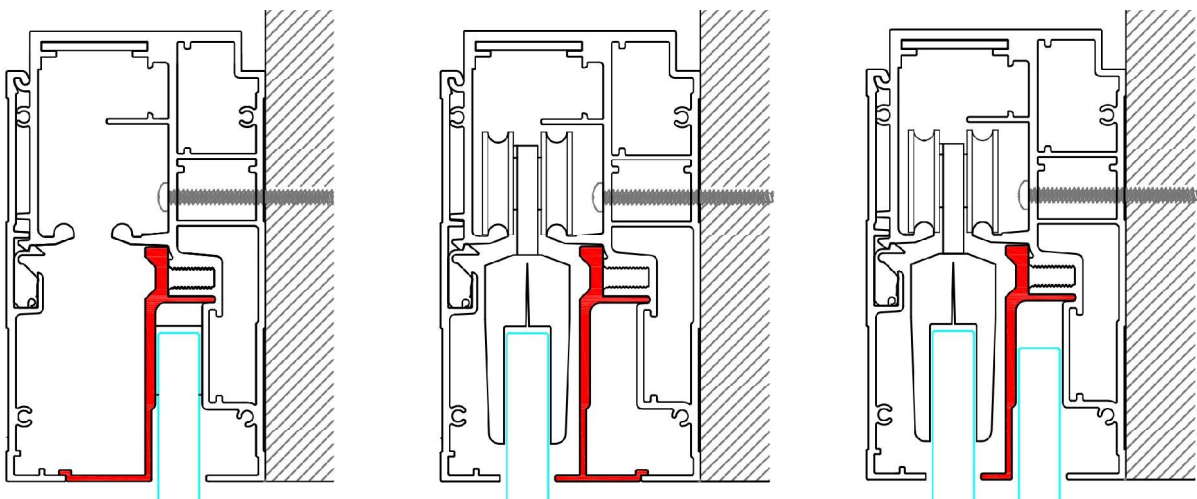




Closing profile for fixed glass ST-835F

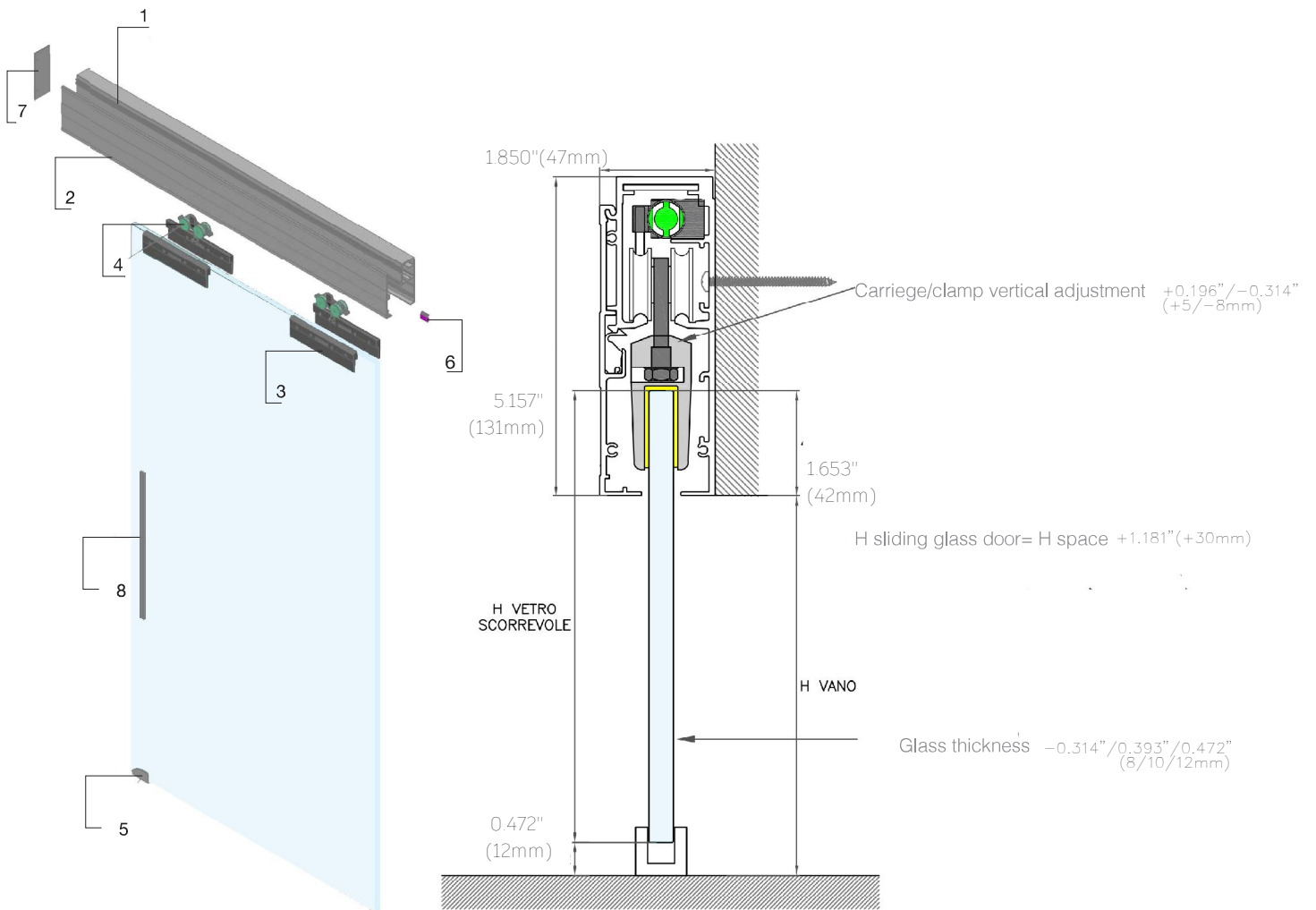
Closing profile for sliding glass ST-835S

Closing profile for fixed and sliding glass ST-835FS



# Stealth a parete Technical details

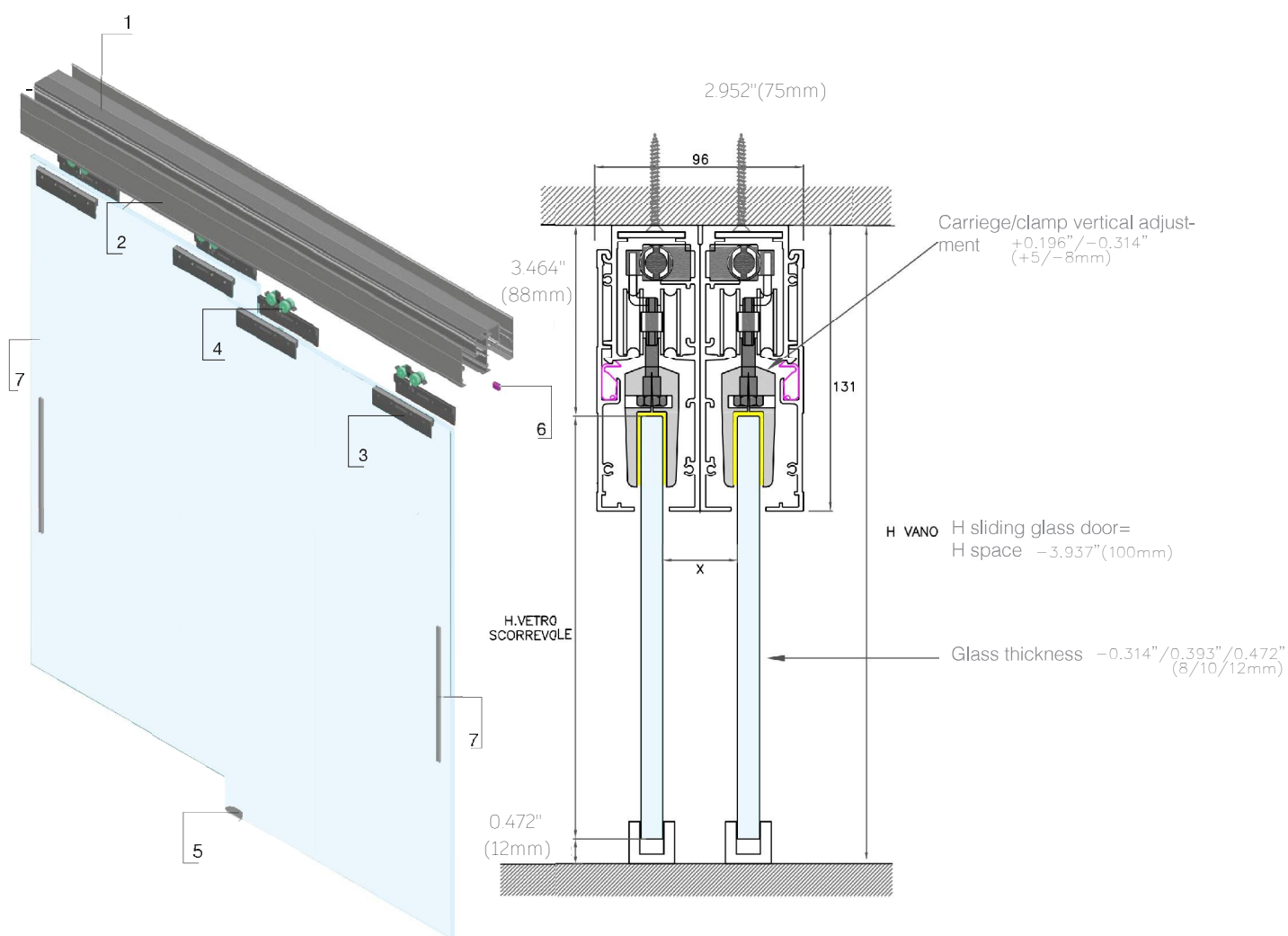
1. Rail ST-832
2. Covering carter ST-834
3. Clamp for glass including gasket
4. Carriage ST-970
5. Guide for sliding door
6. Fixing clip for carter



7. Side covering cap
8. Handle ST-900

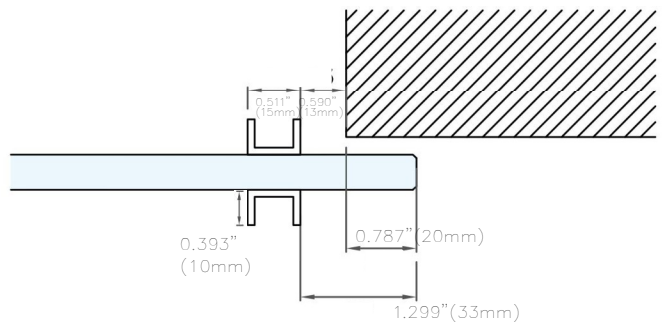
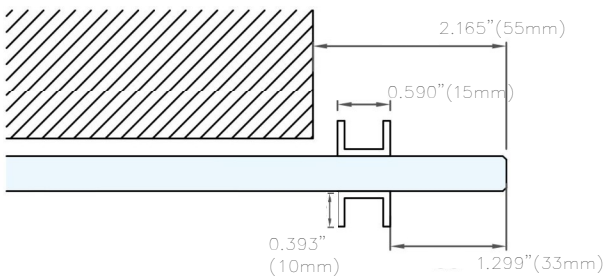
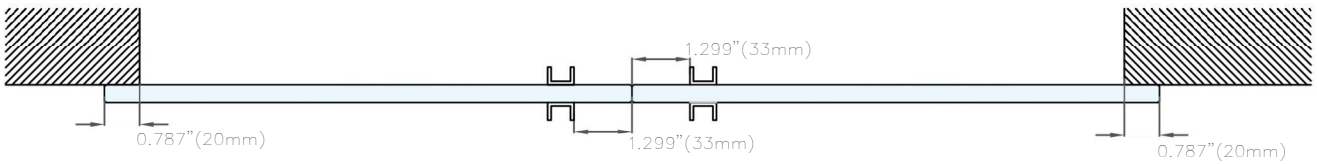
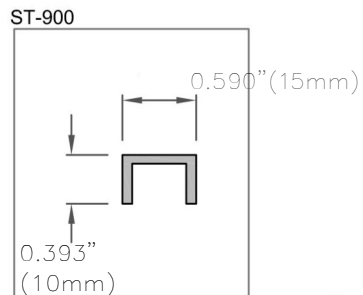
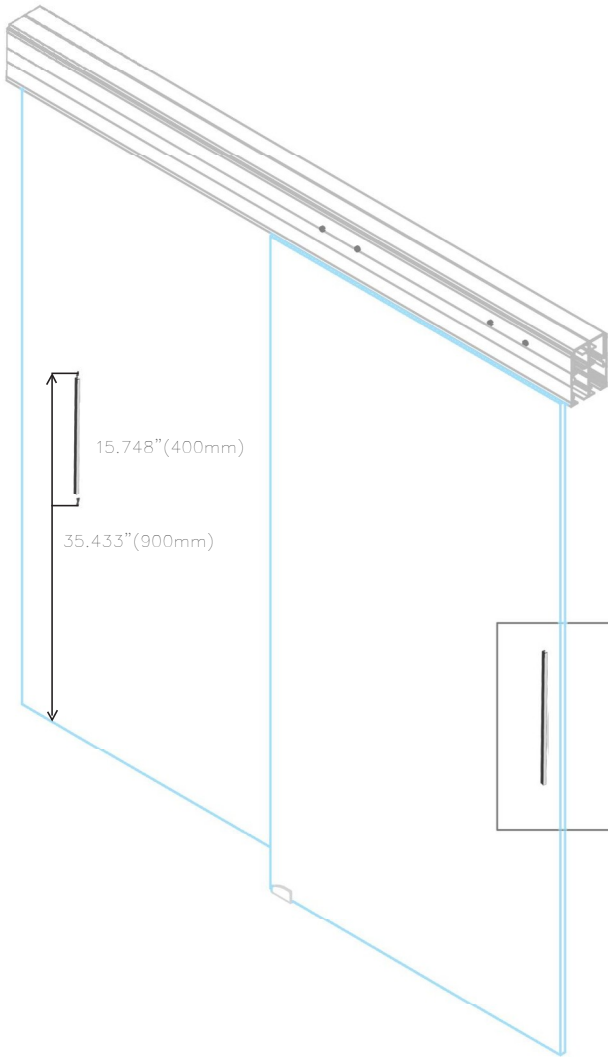


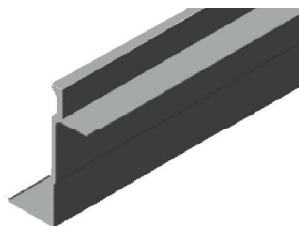
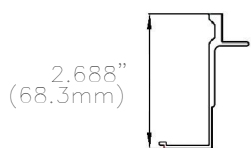
1. Rail ST-832
2. Covering carter ST-834
3. Clamp for glass including gasket
4. Carria @ ST-970
5. Guide for sliding door
6. Fixing clip for carter
7. Handle ST-900



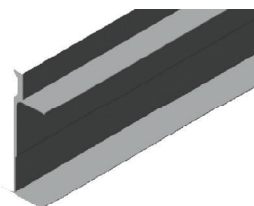
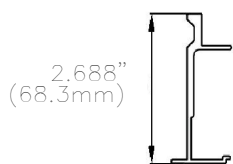
X	Sp. Glass
1.437" (36.5mm)	0.314" (8mm)
1.358" (34.5mm)	0.393" (10mm)
1.279" (32.5mm)	0.472" (12mm)

**Stealth** Handle

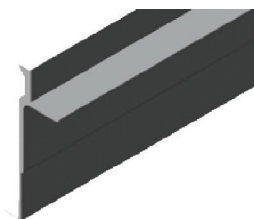
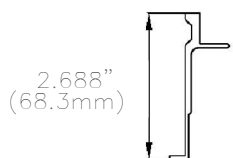




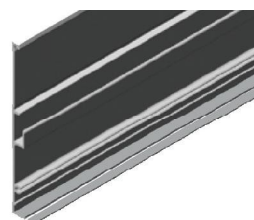
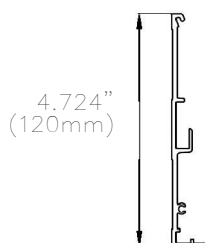
ST-835F Closing profile for fixed glass with holes



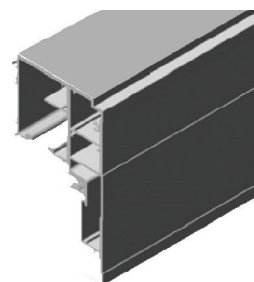
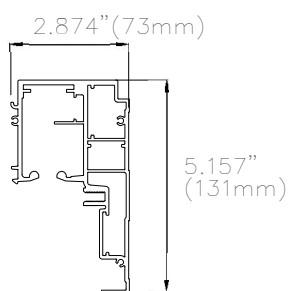
ST-835 S Closing profile for sliding glass with holes



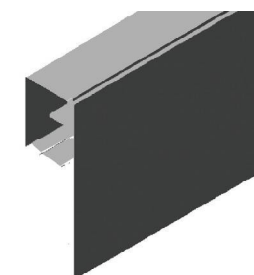
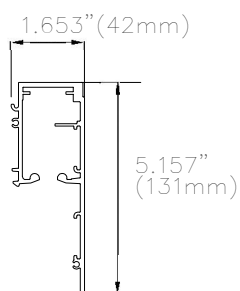
ST-835 FS Closing profile for fixed and sliding glass with holes



ST-834 Covering carter



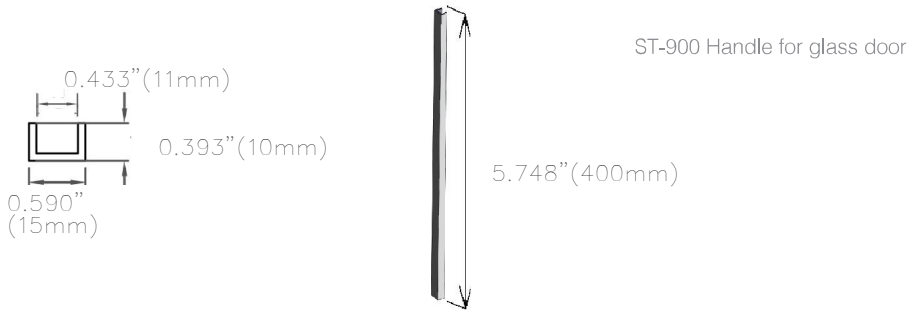
ST-883N Two-ways rail, one for fixed and one for sliding glass



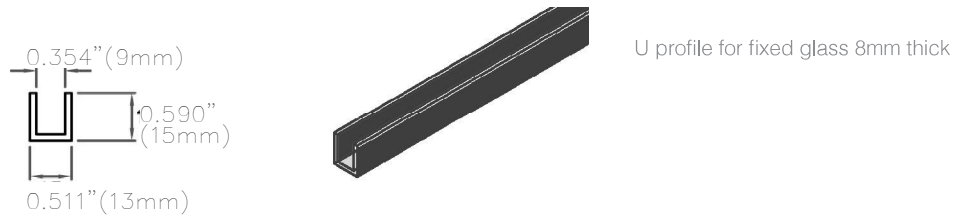
ST-832N One-way rail for sliding door only



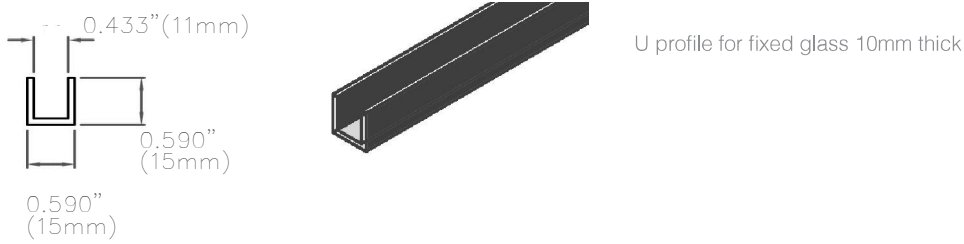
**Stealth** Components



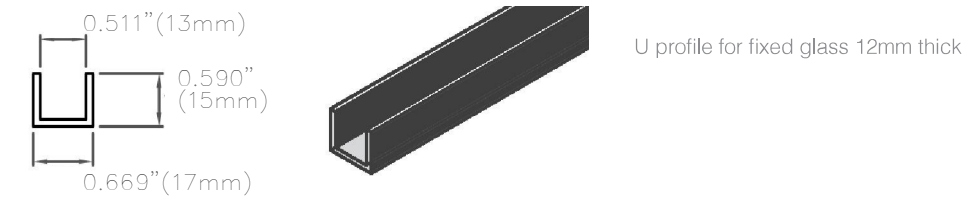
ST-900 Handle for glass door



U profile for fixed glass 8mm thick



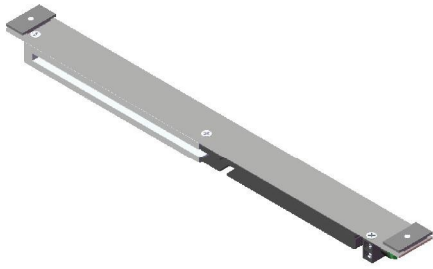
U profile for fixed glass 10mm thick



U profile for fixed glass 12mm thick



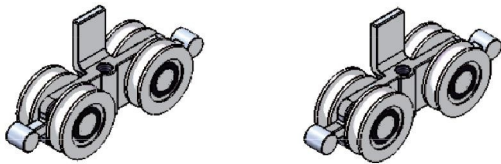
ST-920 floor guide for sliding door



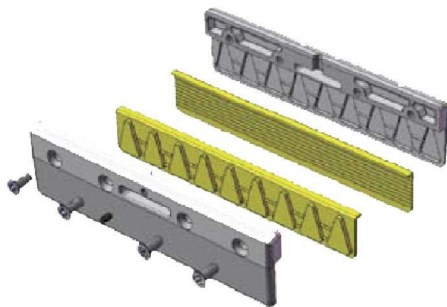
RS-940 Soft closing mechanism



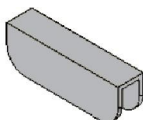
A10.705 Clip for the covering carter fixing



Die-cast couple of carriages for sliding glass door including a special screw



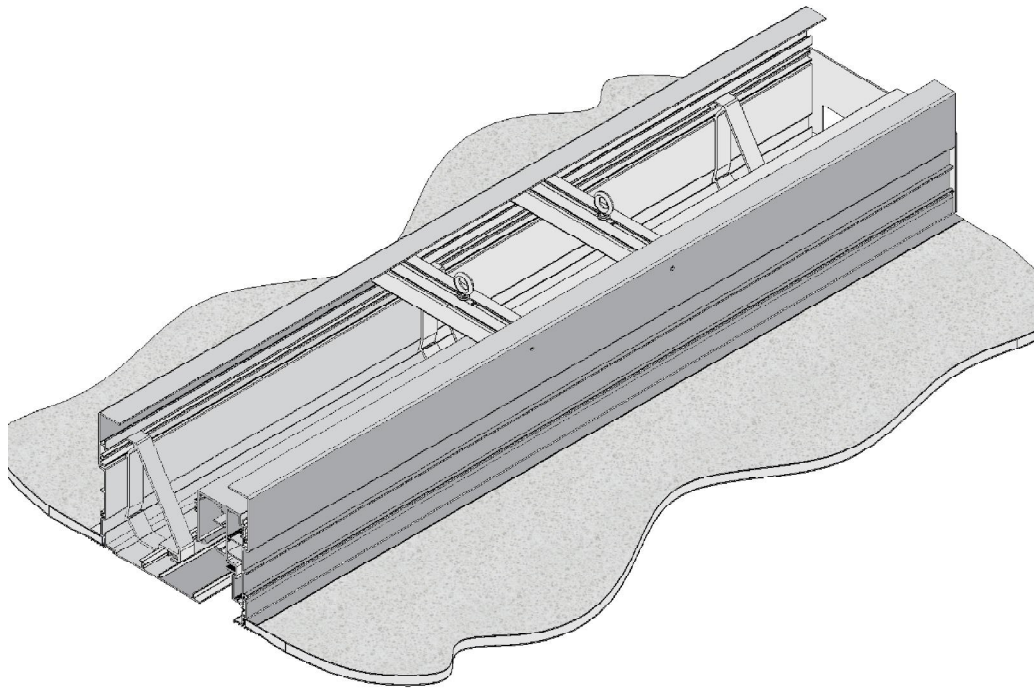
ST-100+ST-115 sp. 0.314"/0.393"/0.472"(8/10/12mm)  
Couple of clamps with 4 gaskets for 0.314"/0.393"/0.472"(8/10/12mm)  
sliding glass



ST-120 Gasket for fixing 0.314"(8mm) fixed glass

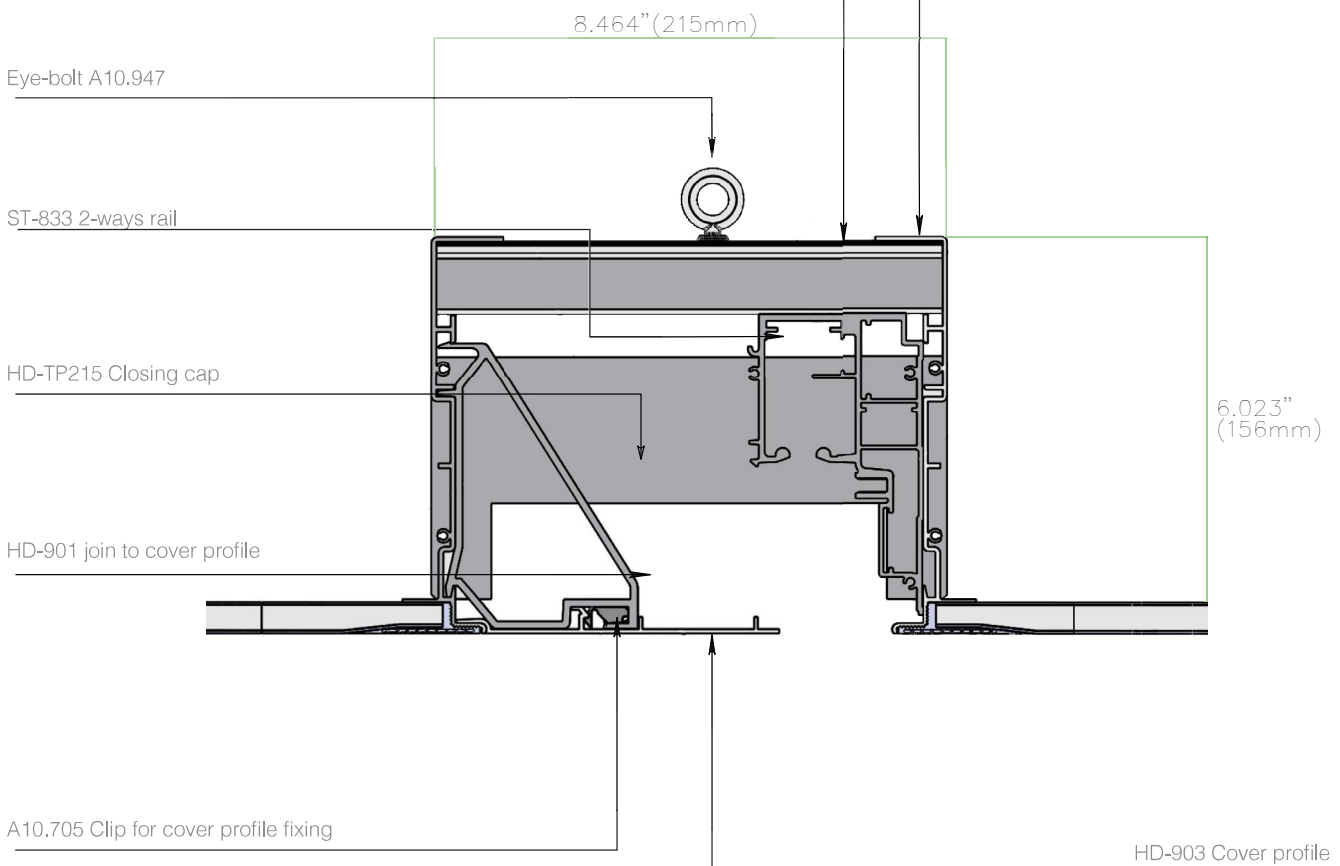
## Hidden Stealth



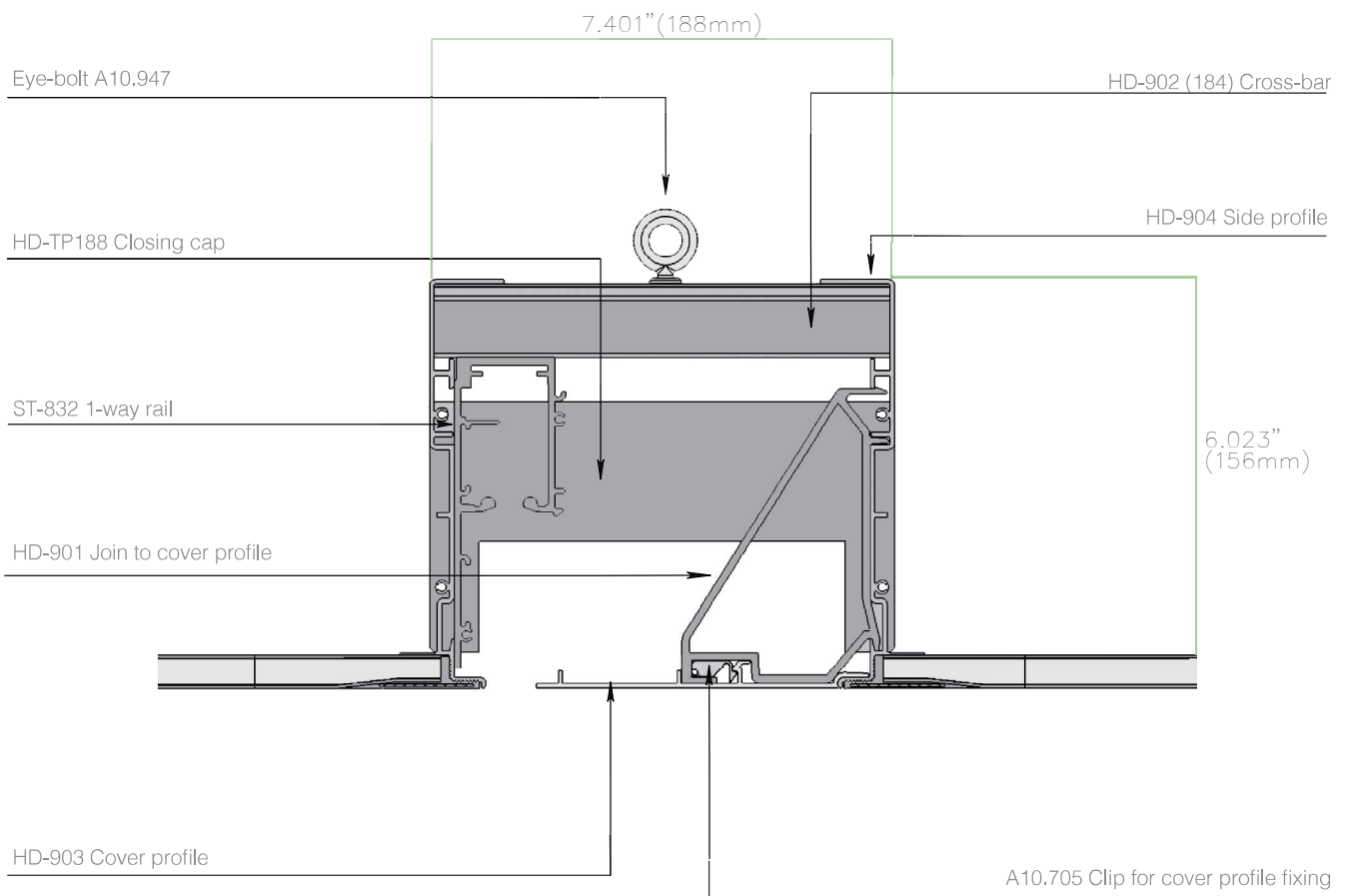
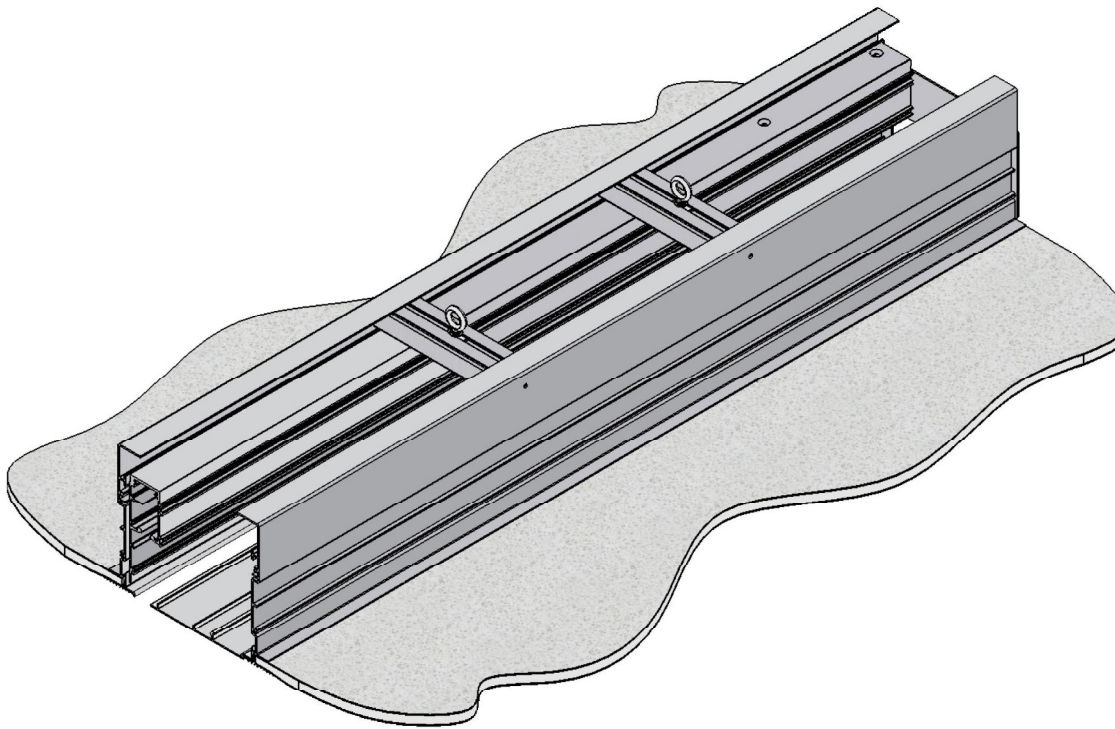


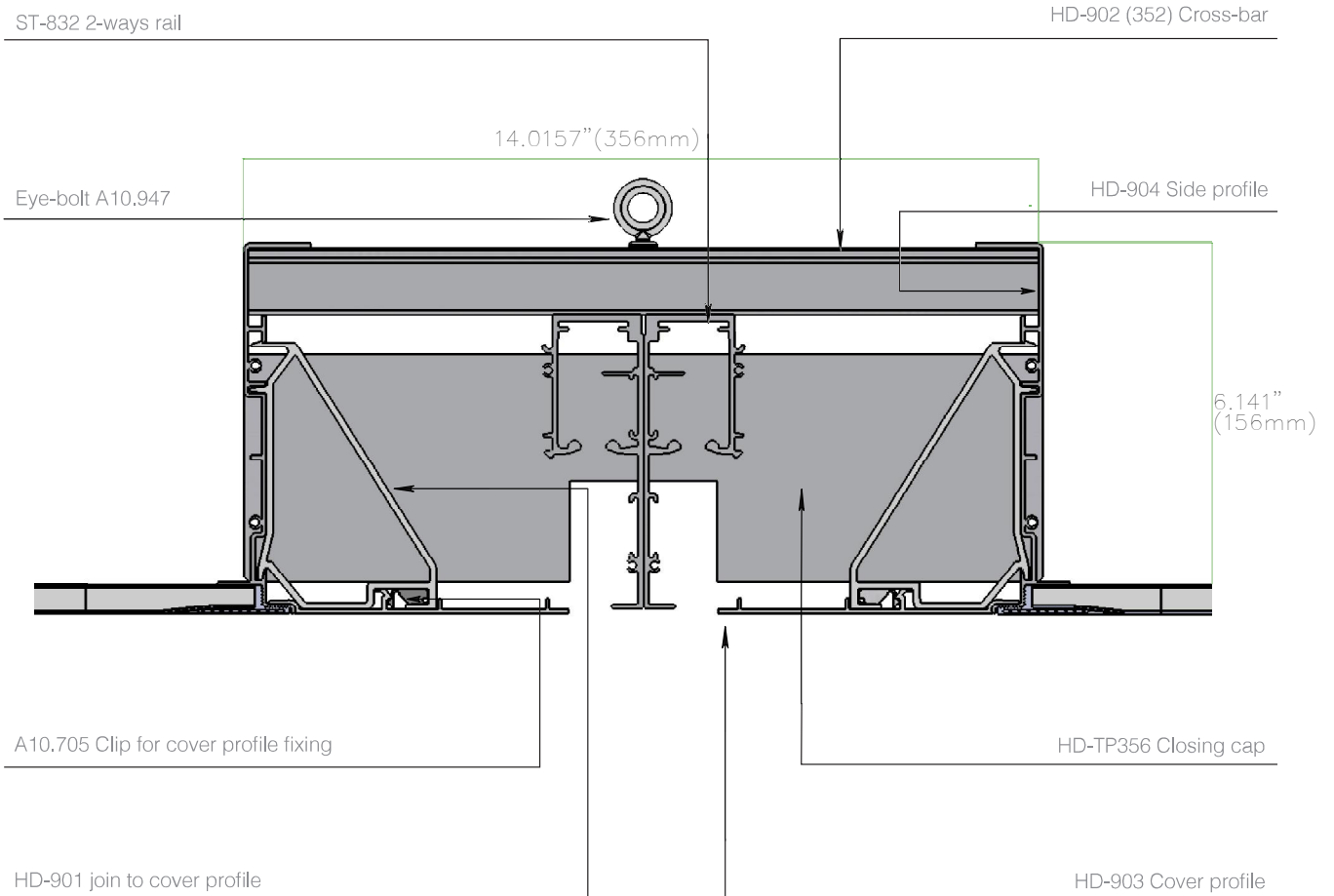
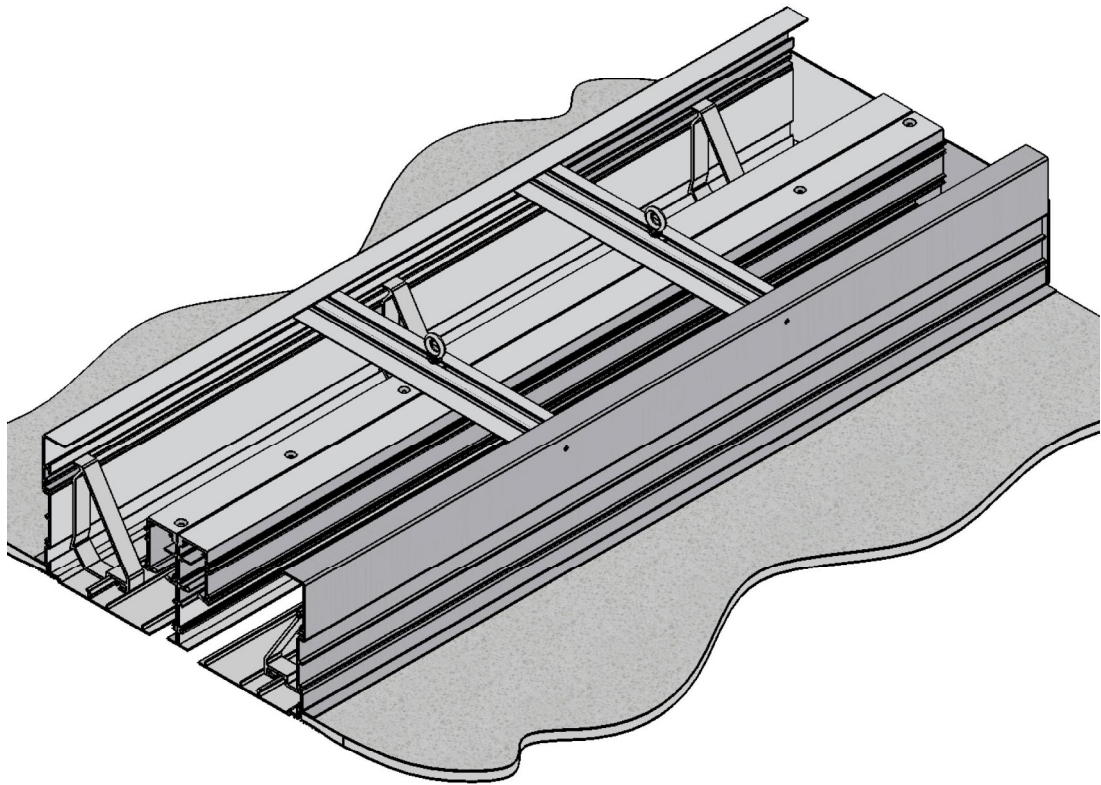
HD-902 (211) Cross-bar

HD-904 Side profile

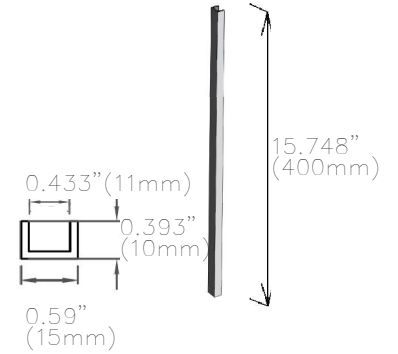
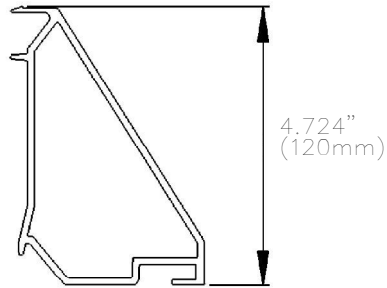
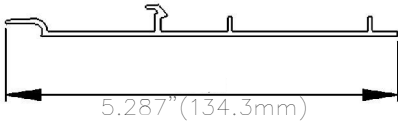
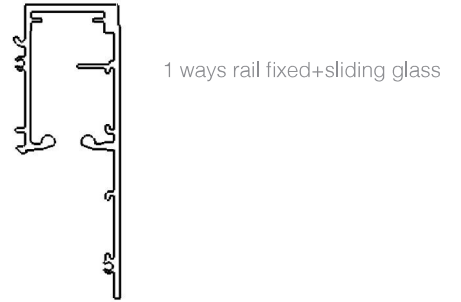
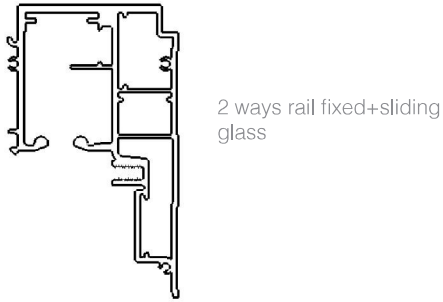
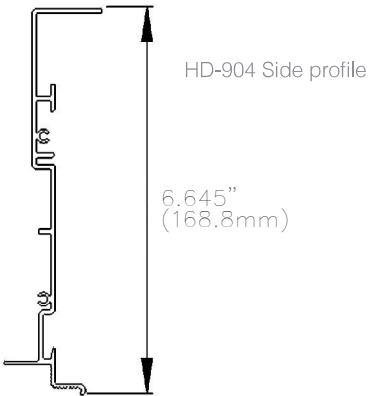


**Hidden Stealth** Hidden sliding system Stealth on plasterboard - System Hidden Stealth 1 way





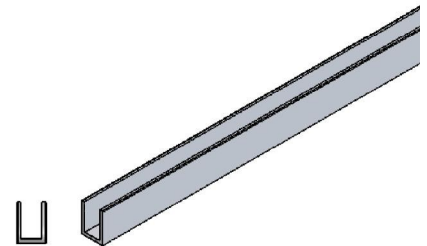
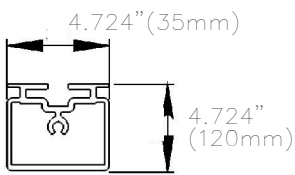
# Hidden Stealth Hidden sliding door system Stealth on plasterboard - Profiles



HD-903 Cover profile

HD-901 Join to cover profile

ST-900 Handle for glass door

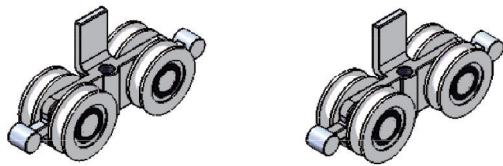


HD-902 (184) Cross-bar for Hidden Stealth (fixed/sliding glass)

HD-902 (211) Cross-bar for Hidden Stealth (1-way)

HD-902 (352) Cross-bar for Hidden Stealth (2-ways with 2 or more doors)

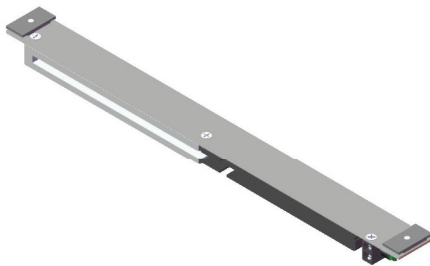
-U-12X12X1 for fixed glass  
-U-15X15X1,5 for fixed glass  
-U-15X15X1 for fixed glass



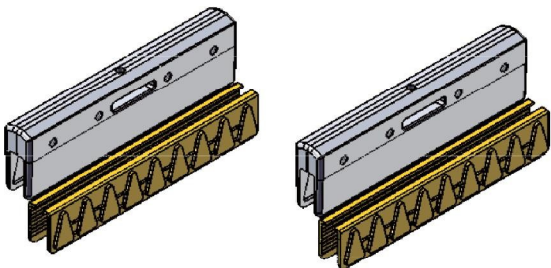
Die-cast couple of carriages for sliding glass door including a special screw



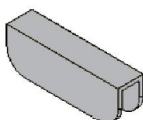
A10,705 Clip for covering carter fixing



RS-940 Soft closing mechanism



ST-100+ST-115 sp. 0.314" (8mm) Couple of clamps with 4 gaskets for 0.314" (8mm) sliding glass



ST-120 Gasket for fixing 0.314" (8mm) fixed glass

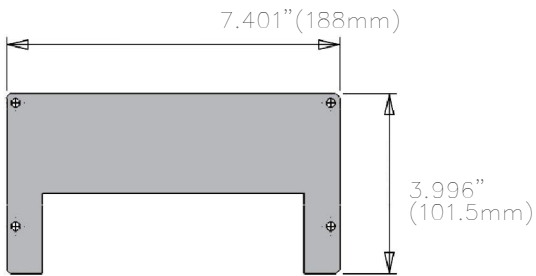


A10,947 Ringbolt

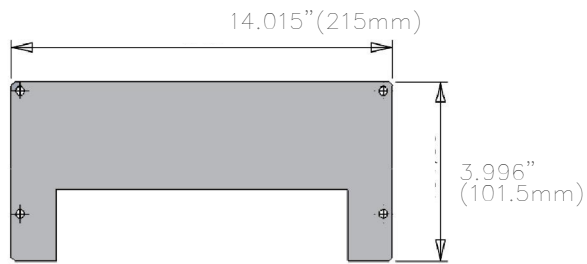


# Hidden Stealth

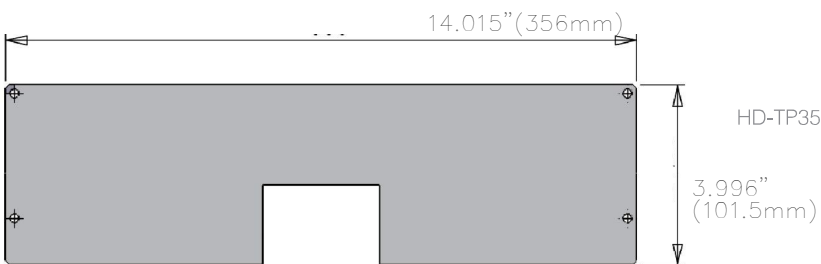
Hidden sliding door system Stealth on plasterboard - Profiles



HD-TP188 Closing side cap for Hidden Stealth (1-way)



HD-TP215 Closing side cap for Hidden Stealth (fixed/sliding glass)



HD-TP356 Closing side cap for Hidden Stealth (2-ways)