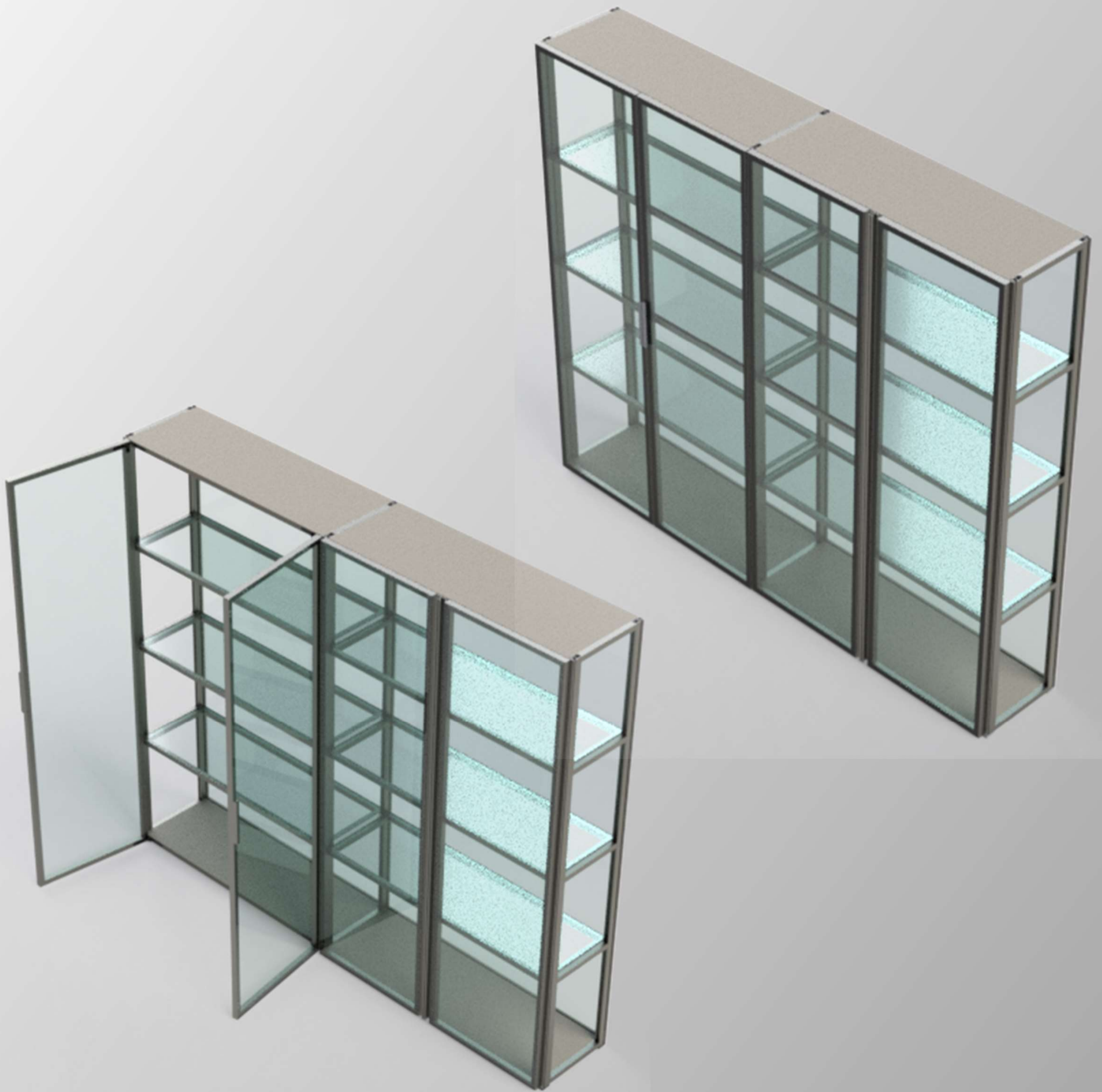


ONLY

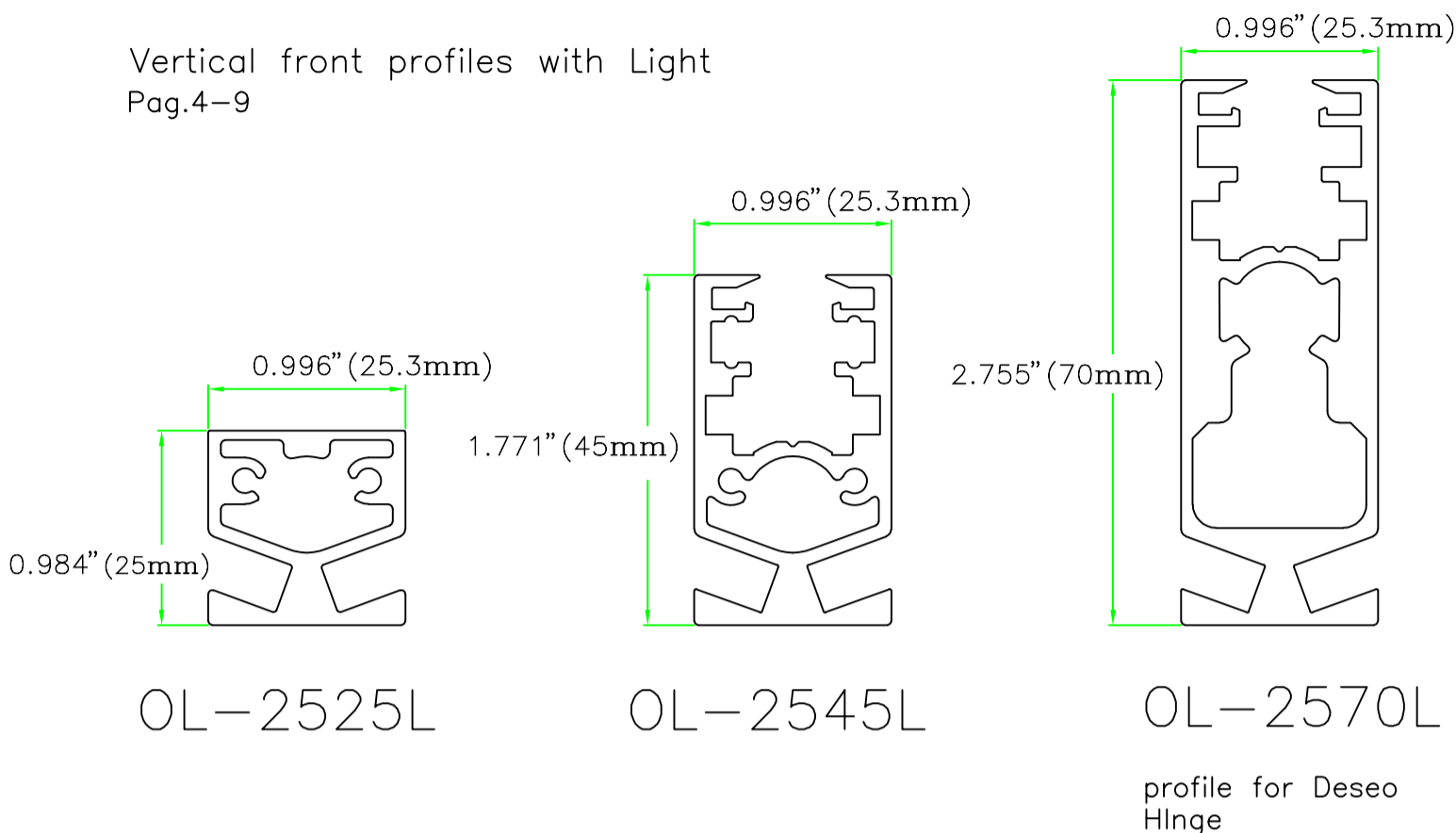




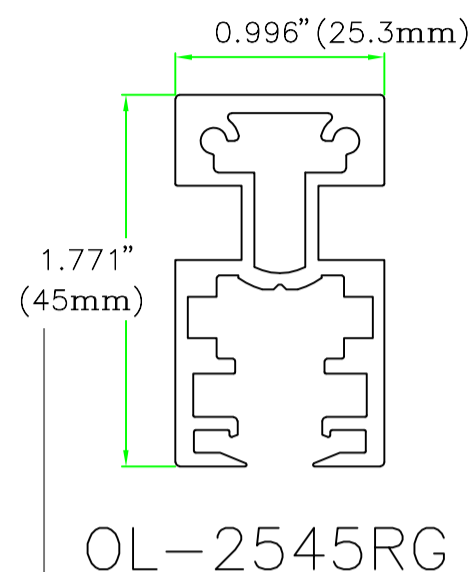
Only is a system of aluminium profiles to realize structures for wardrobes and walk in wardrobes. The system is made of vertical profiles with a rack inside and an adjustable foot, horizontal profiles that can be mounted with hidden joints, profiles used for closing the glass sides. The doors can be made of glass, using IKS or Deseo doors, or wood. This system, of very simple use, combine flexibility and aesthetic value together.

Wardrobe island type assembling instruction

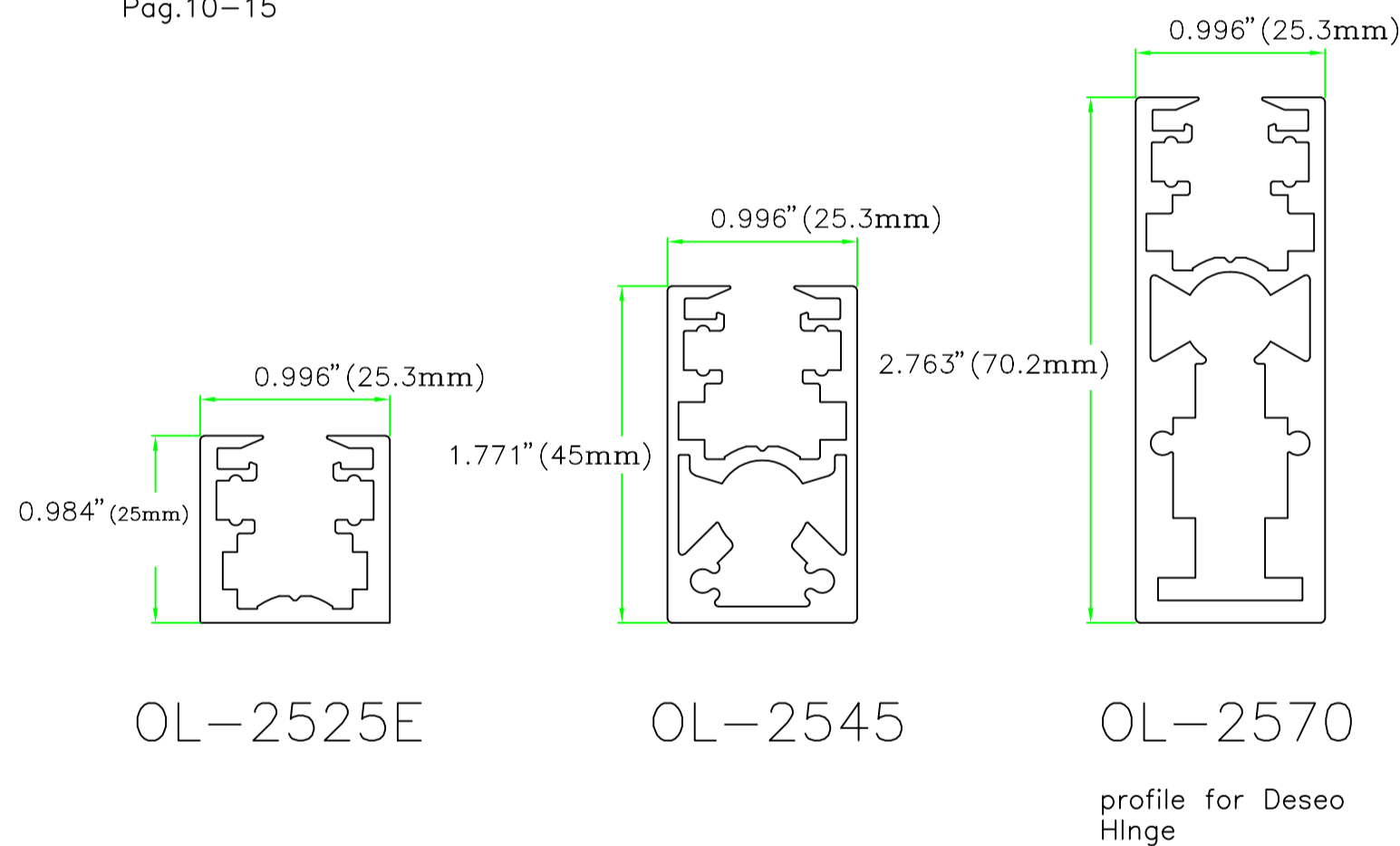
Vertical front profiles with Light
Pag.4-9



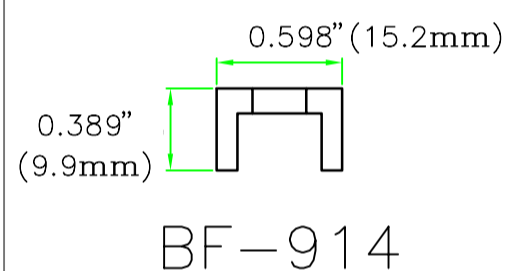
Vertical back profiles



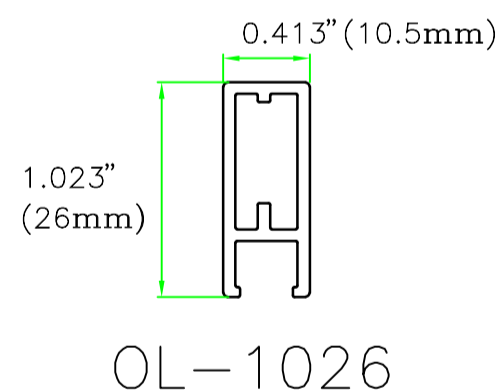
Vertical profiles for eletrification
Pag.10-15



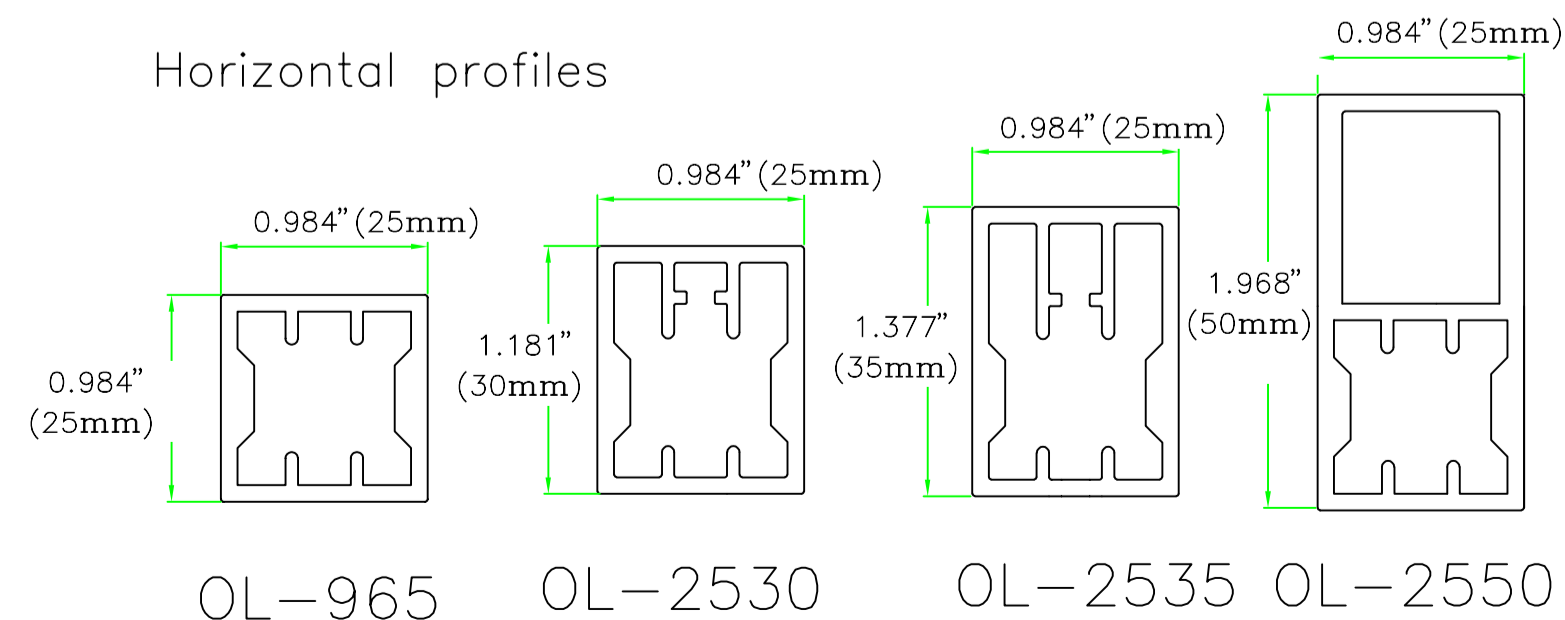
Rack profile



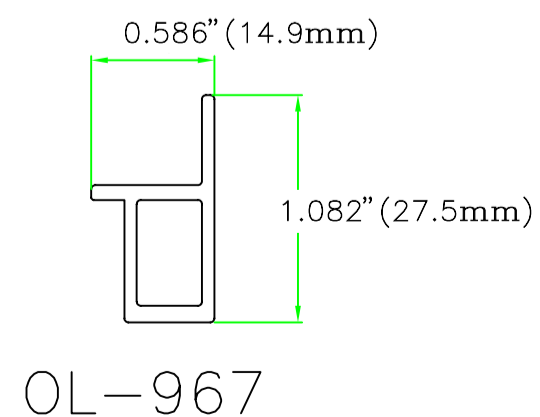
Side Profile
Pag.23-26



Horizontal profiles

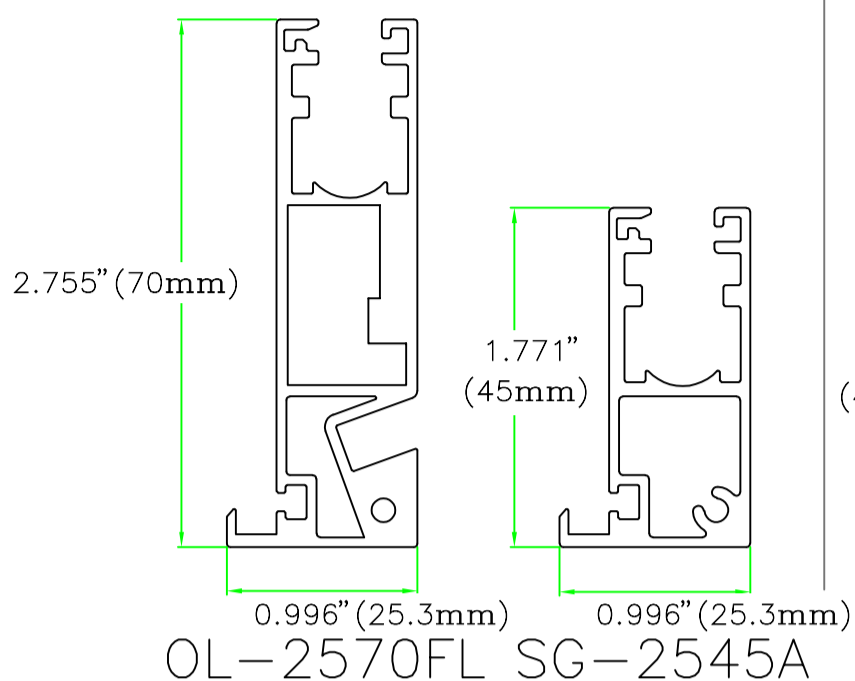


Side Profile
Pag.27

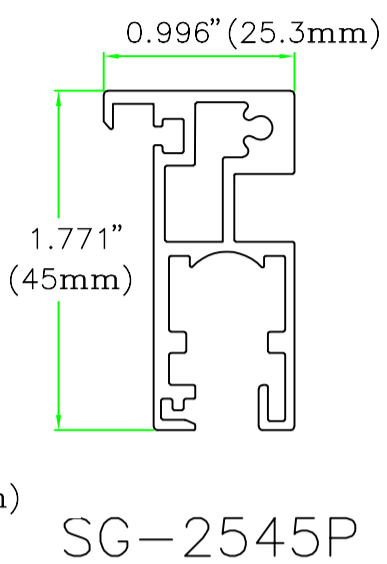


vertical profile for glass side not eletrified

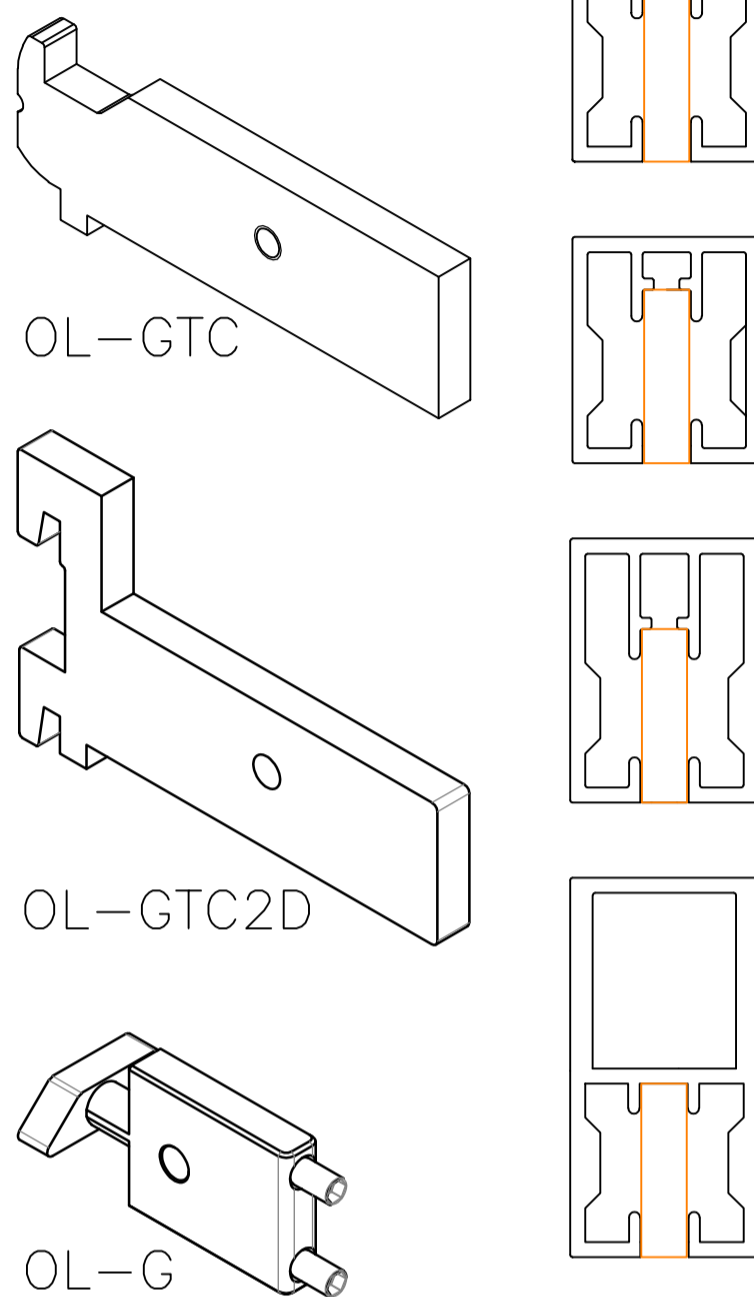
Vertical front profiles
Pag.16-22



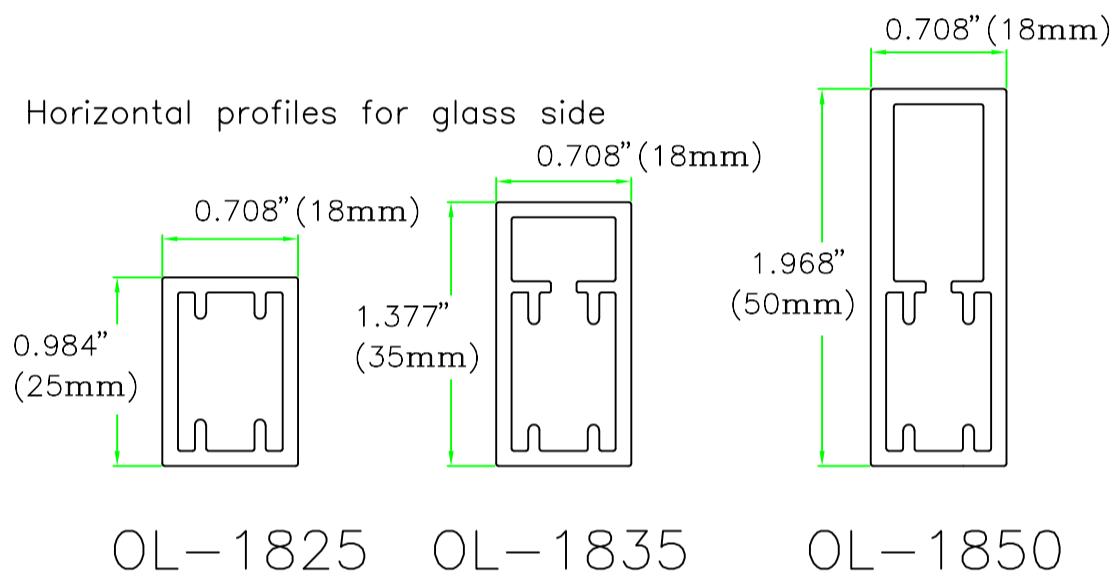
Vertical back profiles



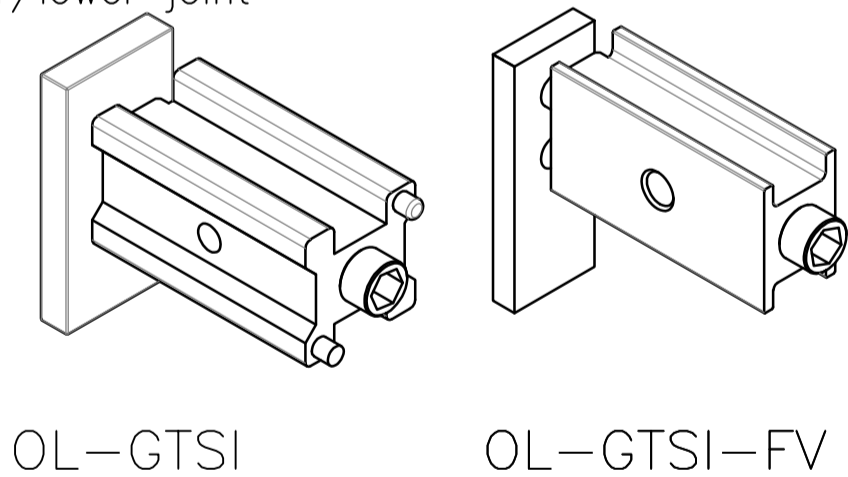
Crossbar



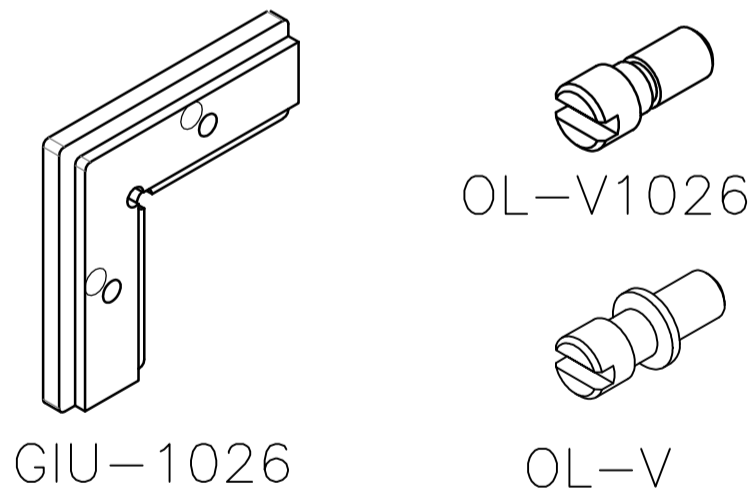
Horizontal profiles for glass side



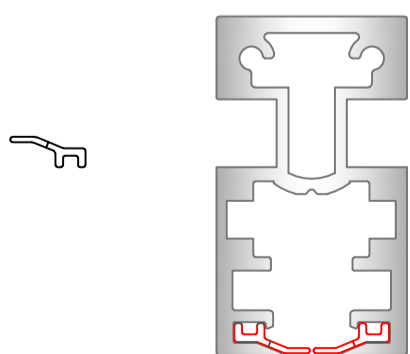
upper/lower joint



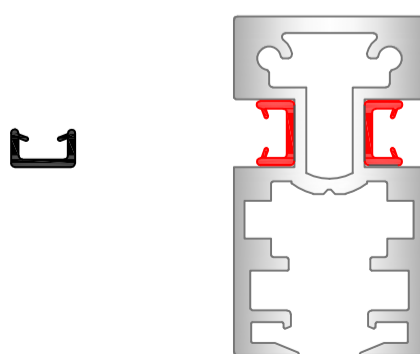
joint and screw for OL-1026 side



GU-O-Lung 118.110" (3000mm)
Gasket fumè

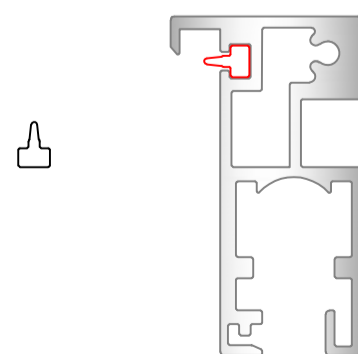


GU-C-RG 118.110" (3000mm)
Black gasket for Glass



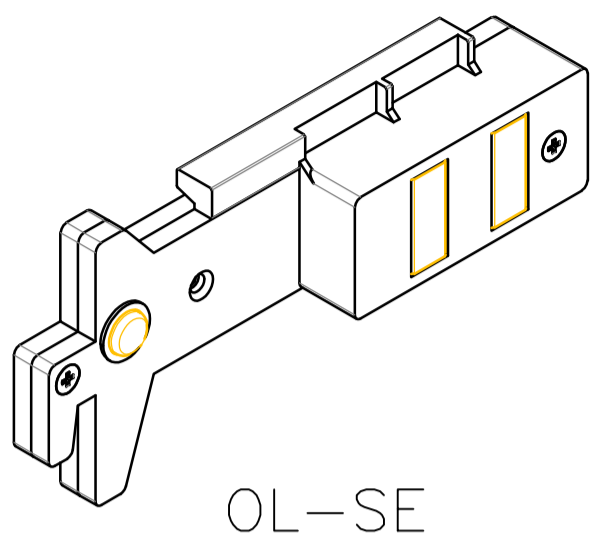
GU-BAFFO

Glass Gasket for glass side



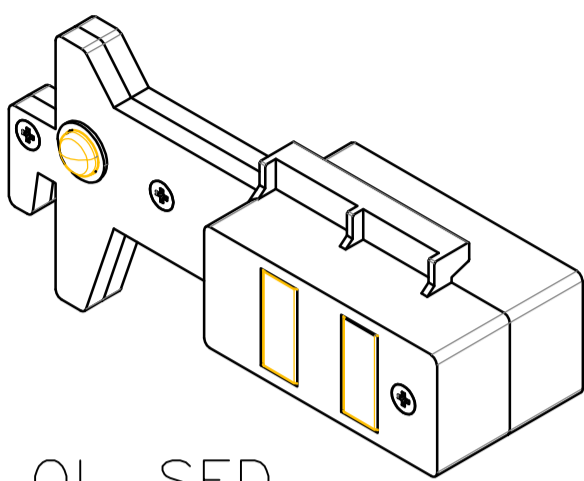
Electrification Supports

Single Support



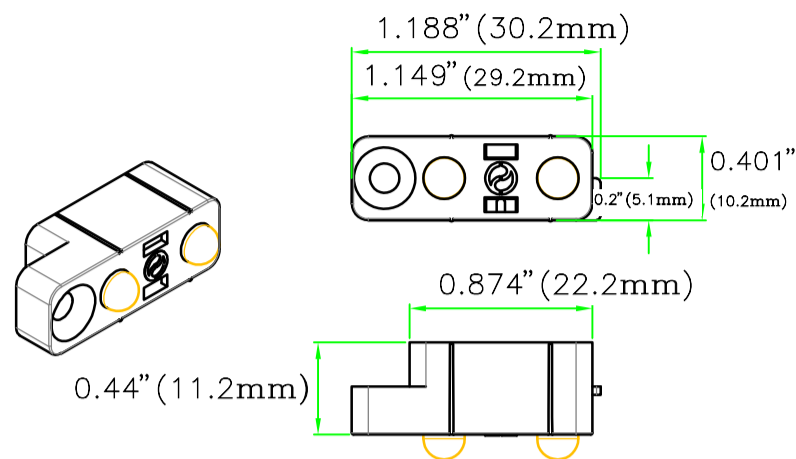
OL-SE

Double Support



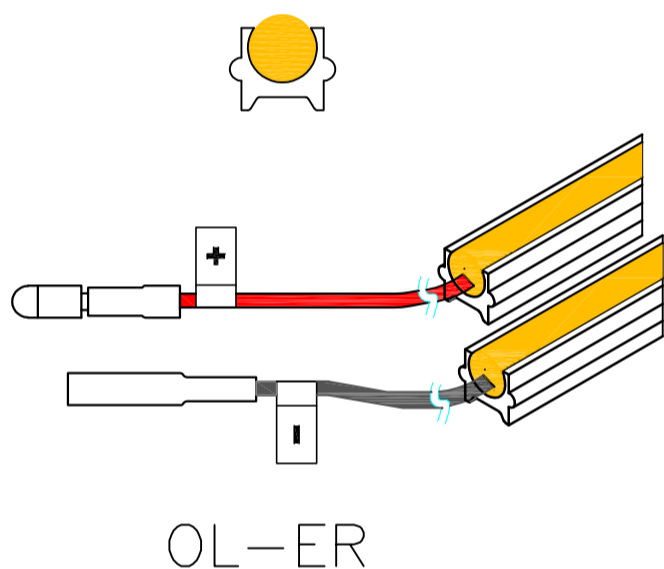
OL-SED

Power supply connector



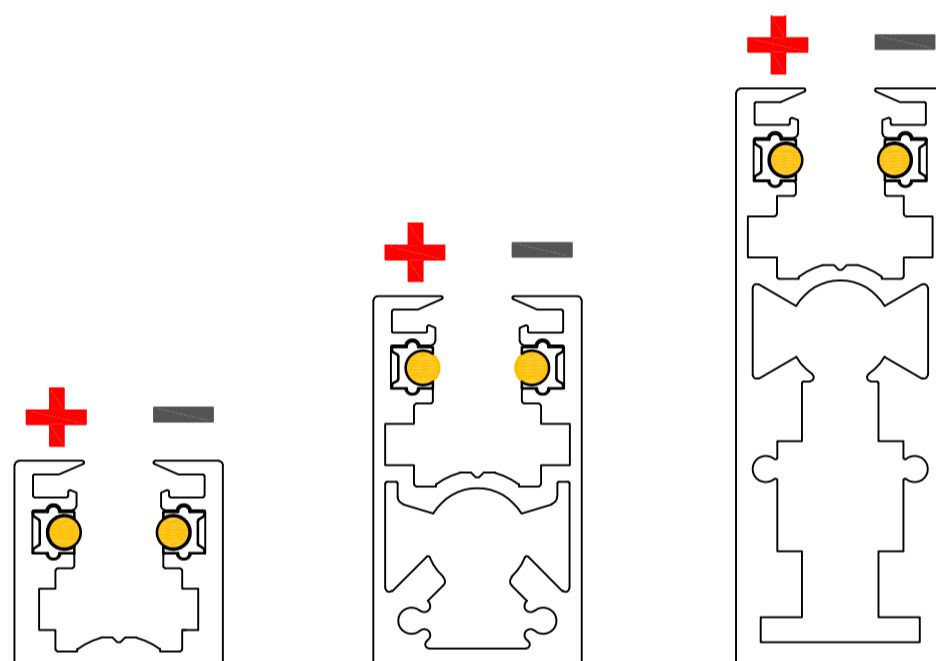
OL-CONN-N

Couple of Extrusion PVC copper



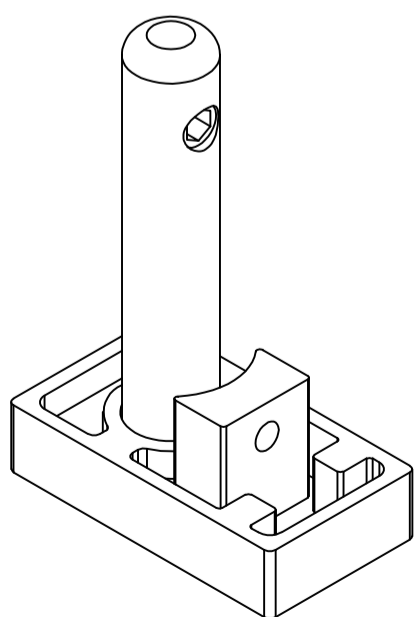
OL-ER

Vertical front profiles



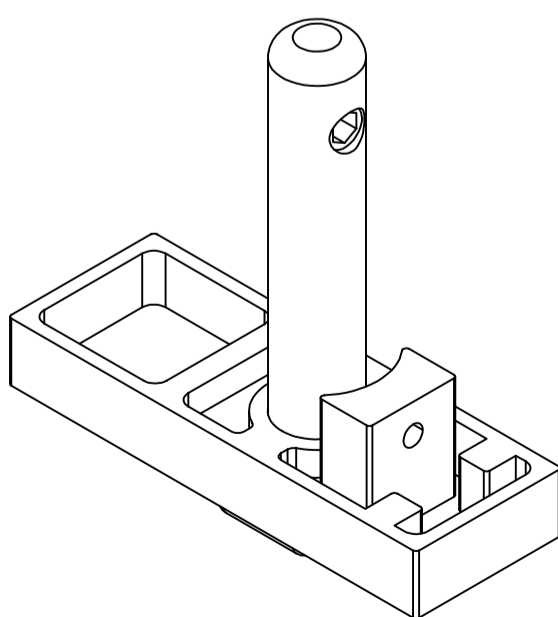
Adjustable Foot for vertical profile

used with 1.771" (45mm) vertical profile



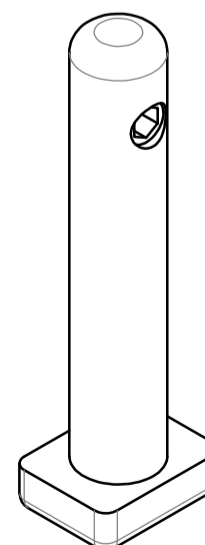
OL-P-VN

used with 2.755" (70mm) vertical profile



OL-P70-VN

used with glass side profile

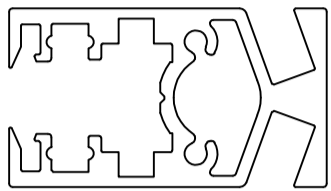


PIE-REG-ONLY

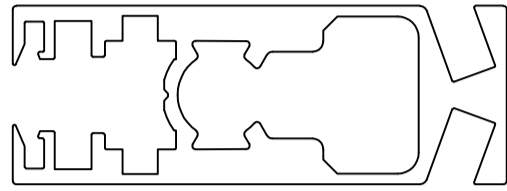


Wardrobe island type with Light vertical profile assembling instruction

Vertical front profiles with Light

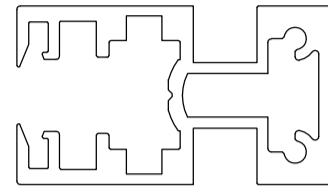


OL-2545L

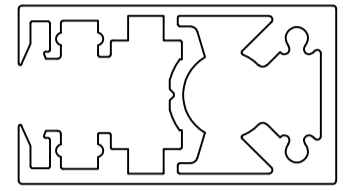


OL-2570L

Vertical back profiles

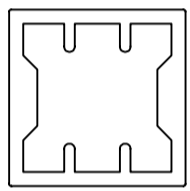


OL-2545RG

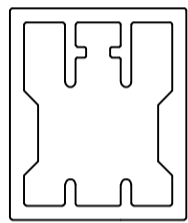


OL-2545

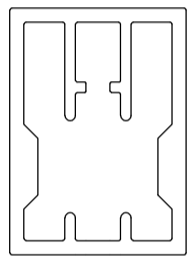
Horizontal profiles



OL-965

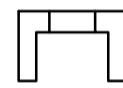


OL-2530



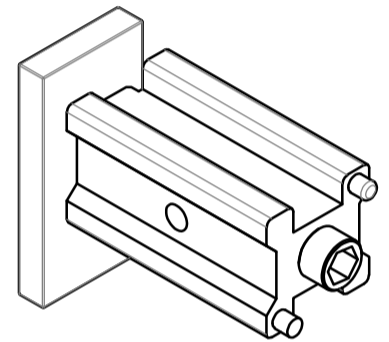
OL-2535

Rack profile



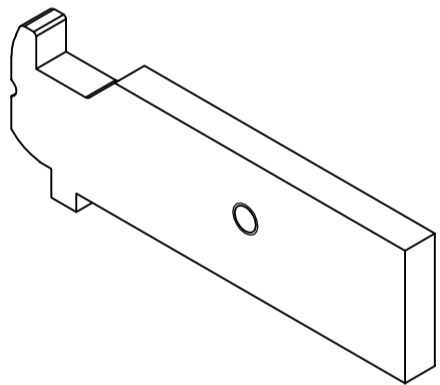
BF-914

upper/lower joint

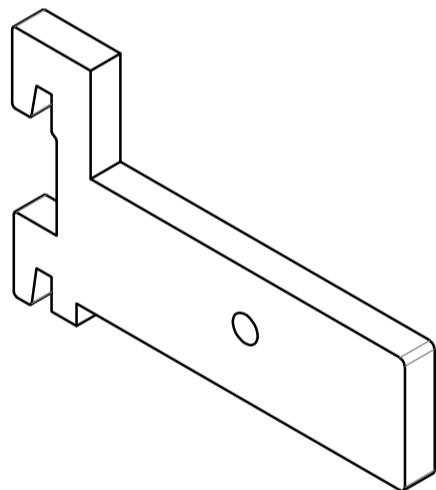


OL-GTSI

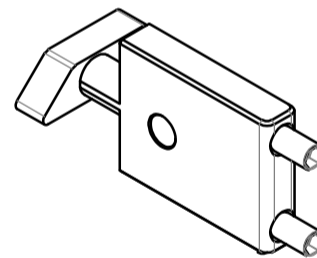
Crossbar



OL-GTC



OL-GTC2D

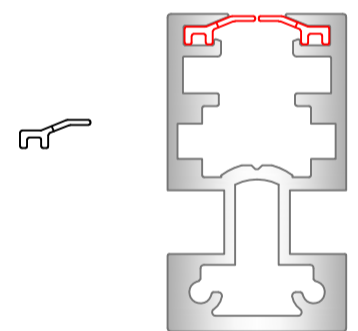


OL-G

to be use without Rack profile

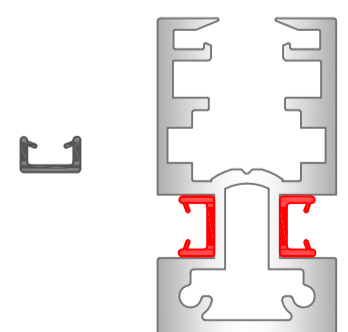
GU-0-Lung (3000mm)

Gasket fumè

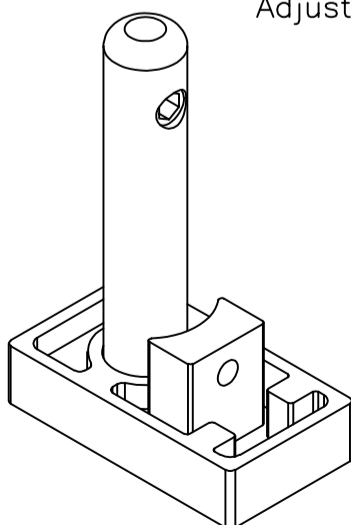


GU-C-RG (118.110") (3000)

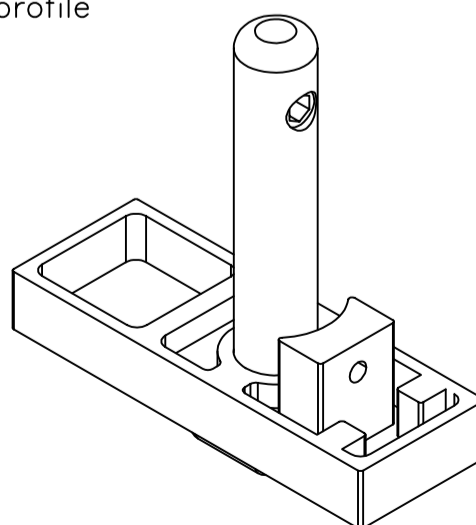
Black gasket for Glass



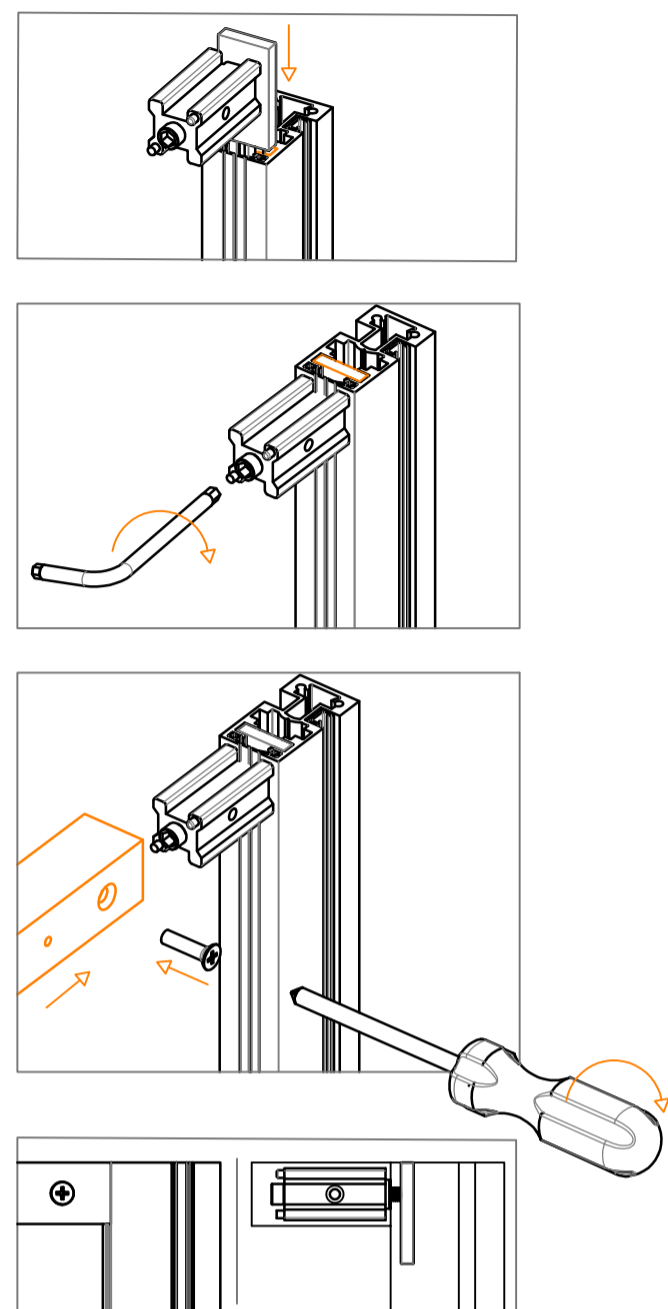
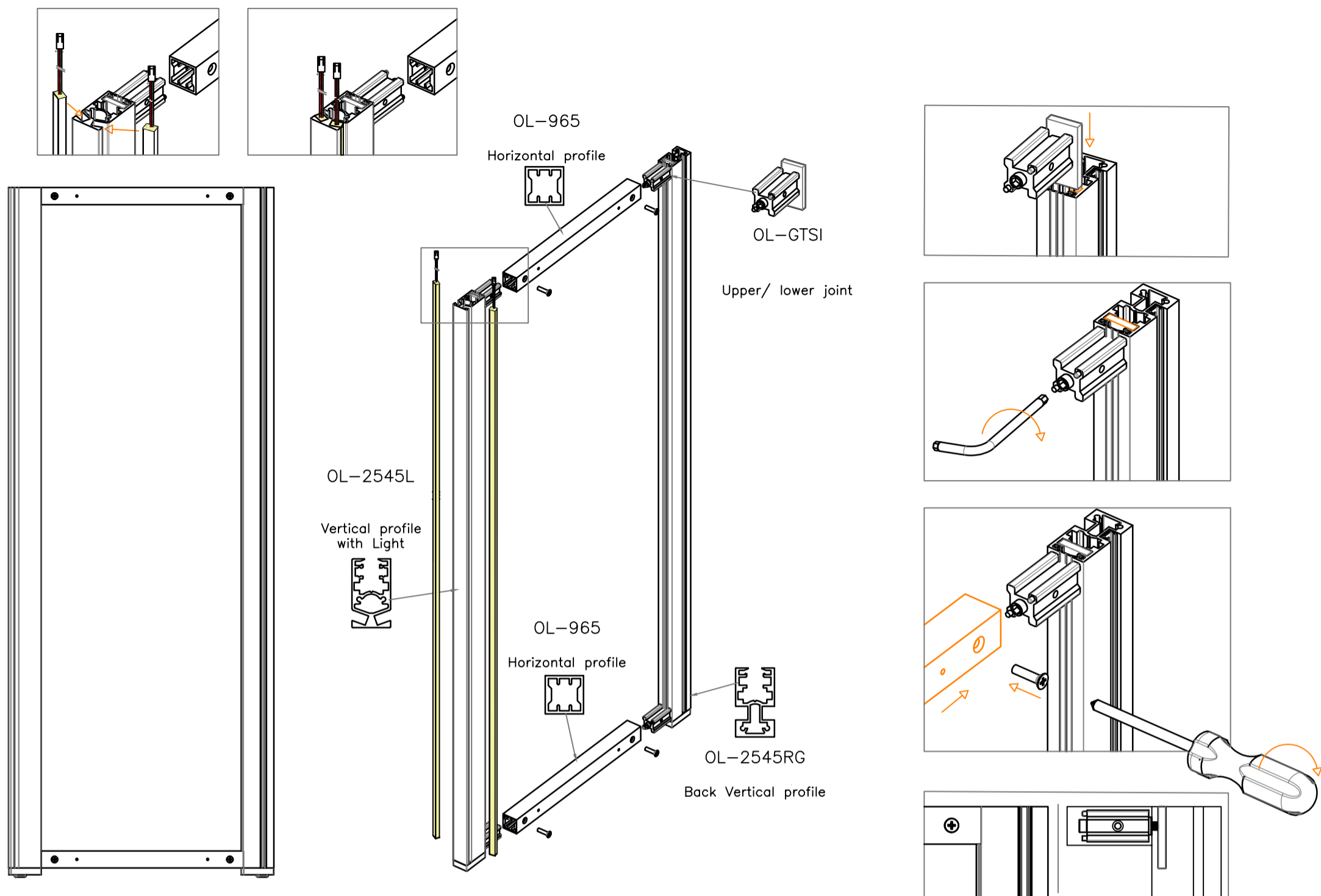
Adjustable Foot for vertical profile



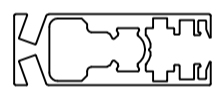
OL-P-VN



OL-P70-VN

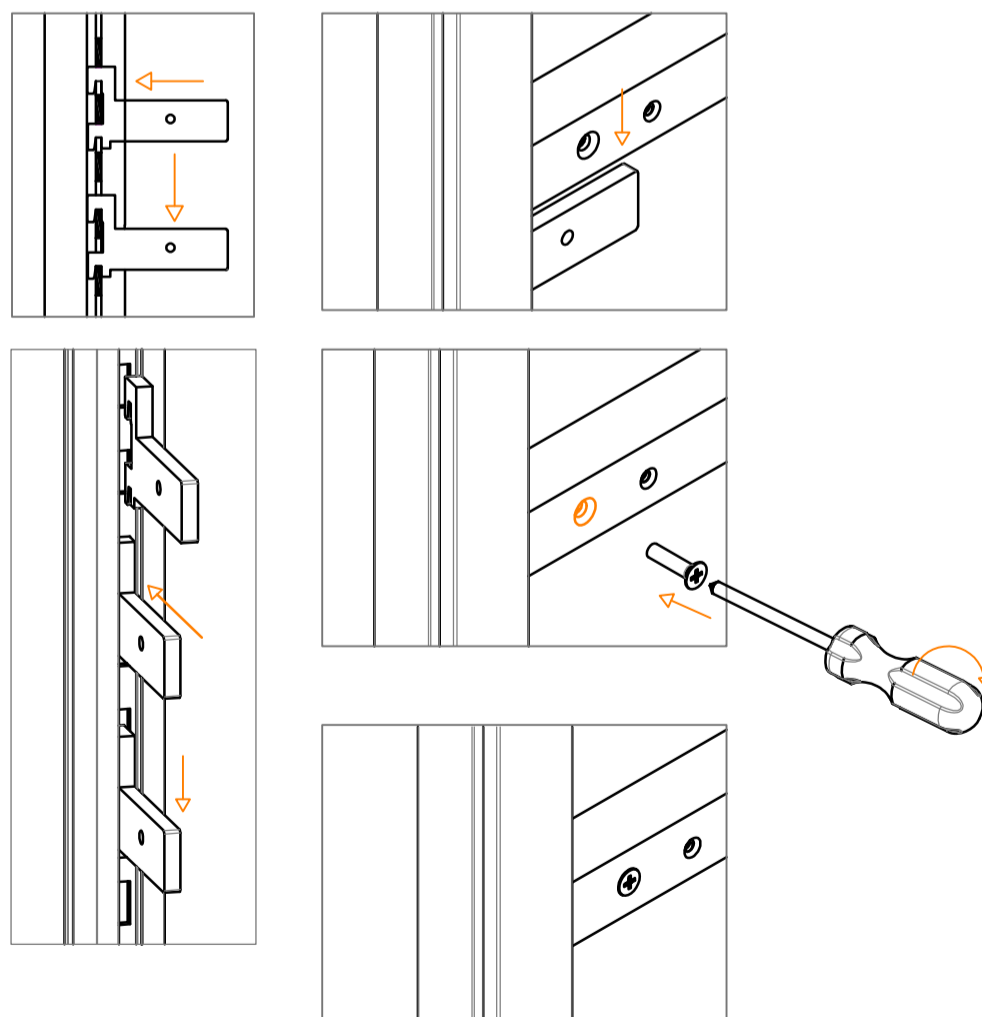
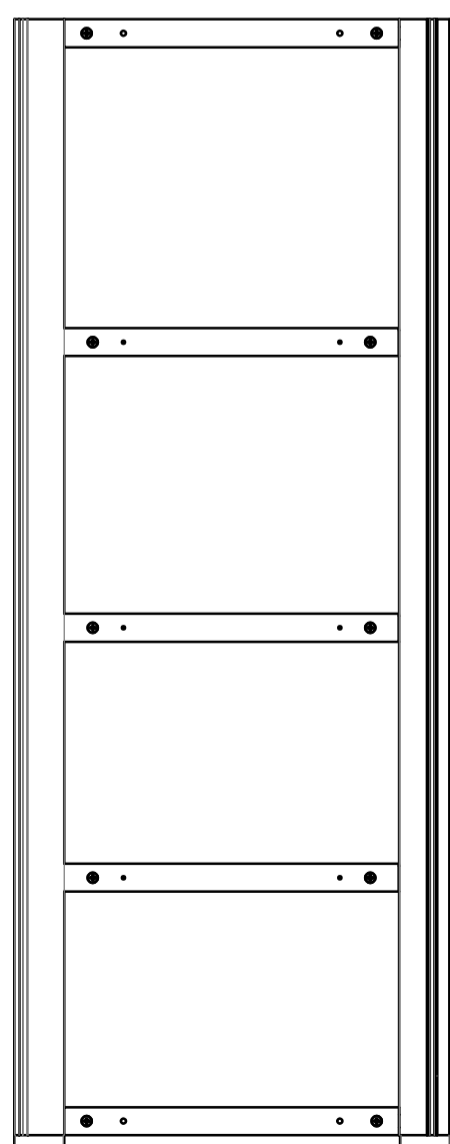


Vertical profile with Light available:



OL-2570L

Vertical profile with Light



Horizontal profile available:



OL-2530

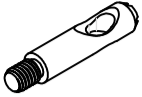


Horizontal profile

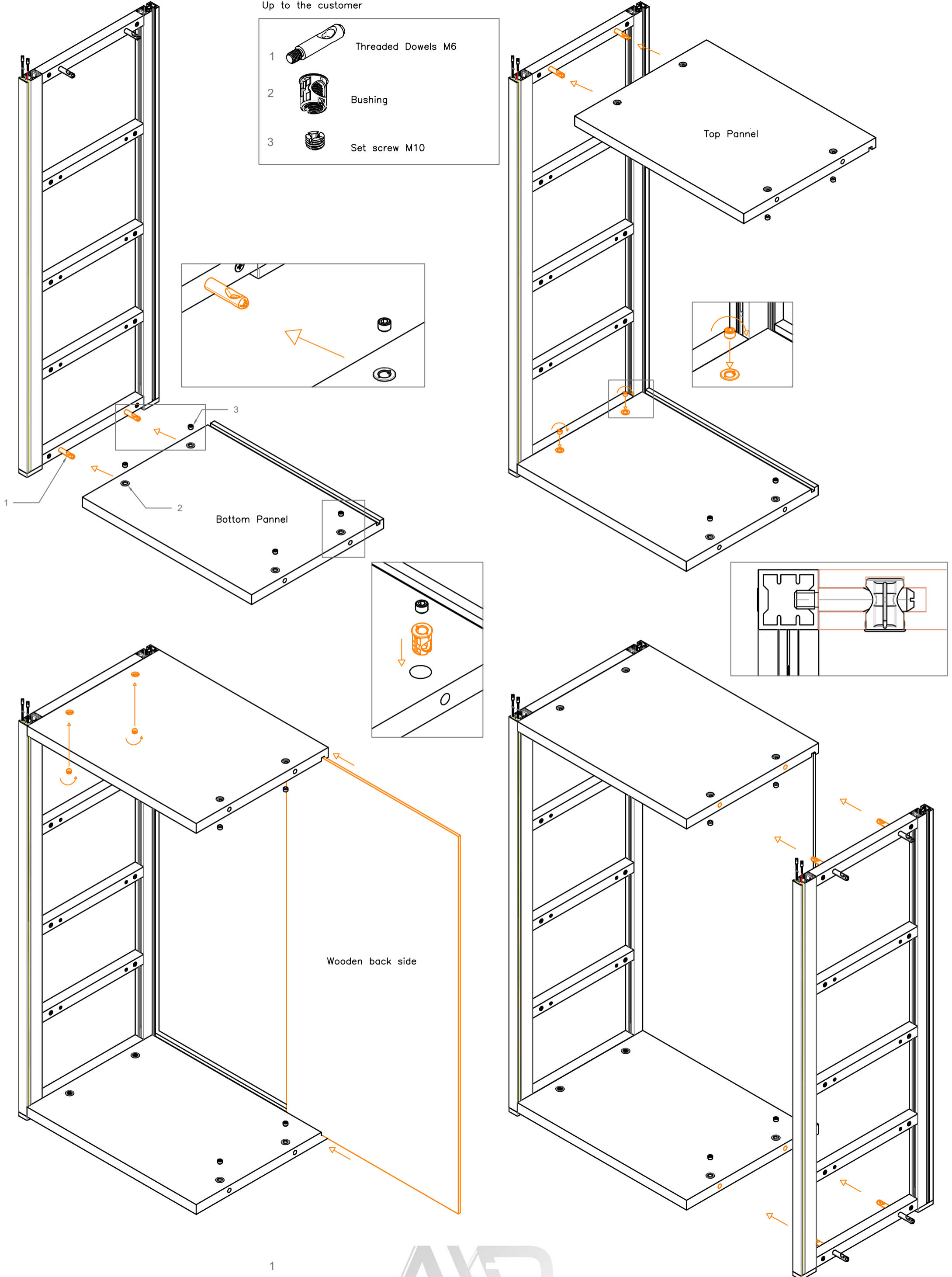


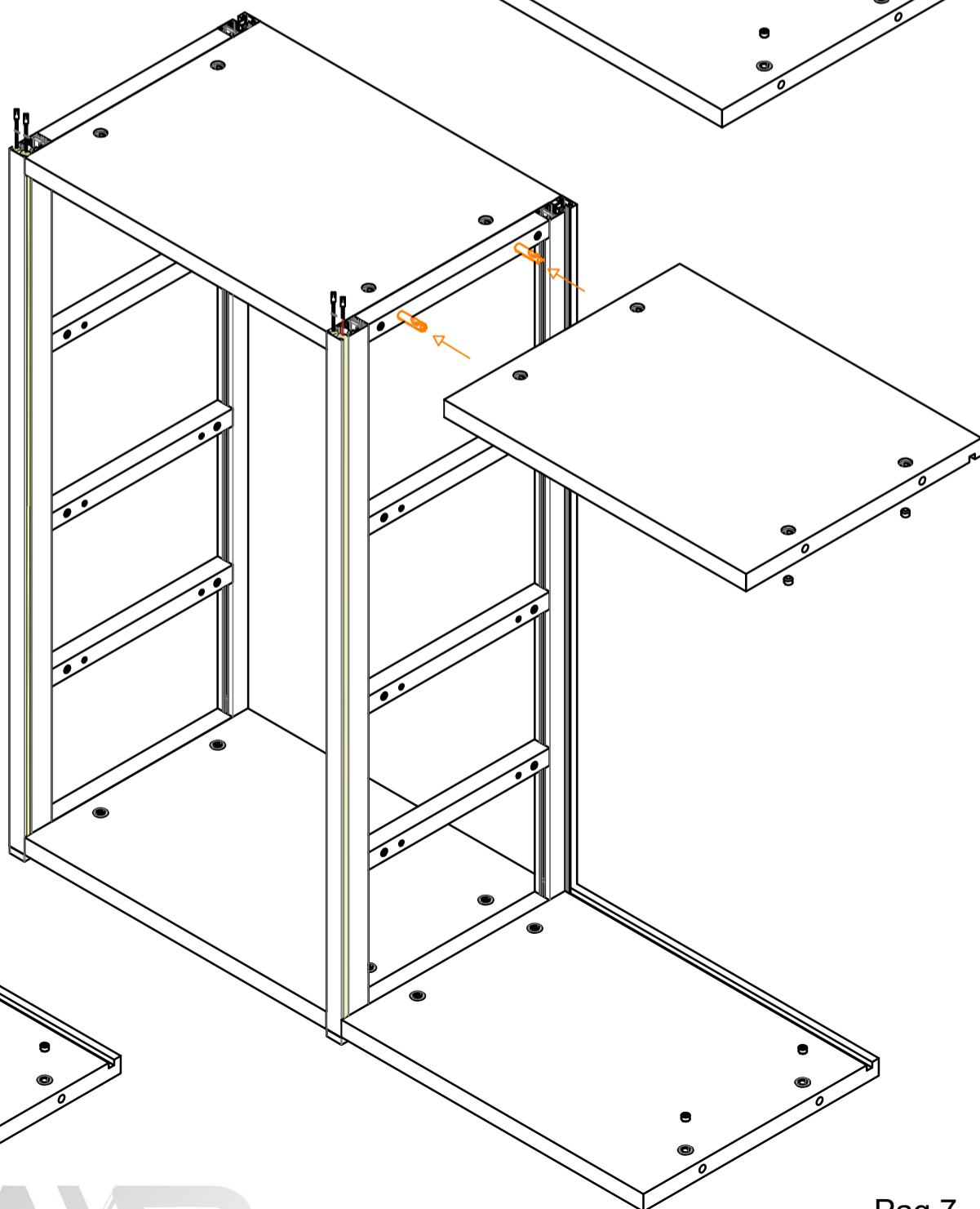
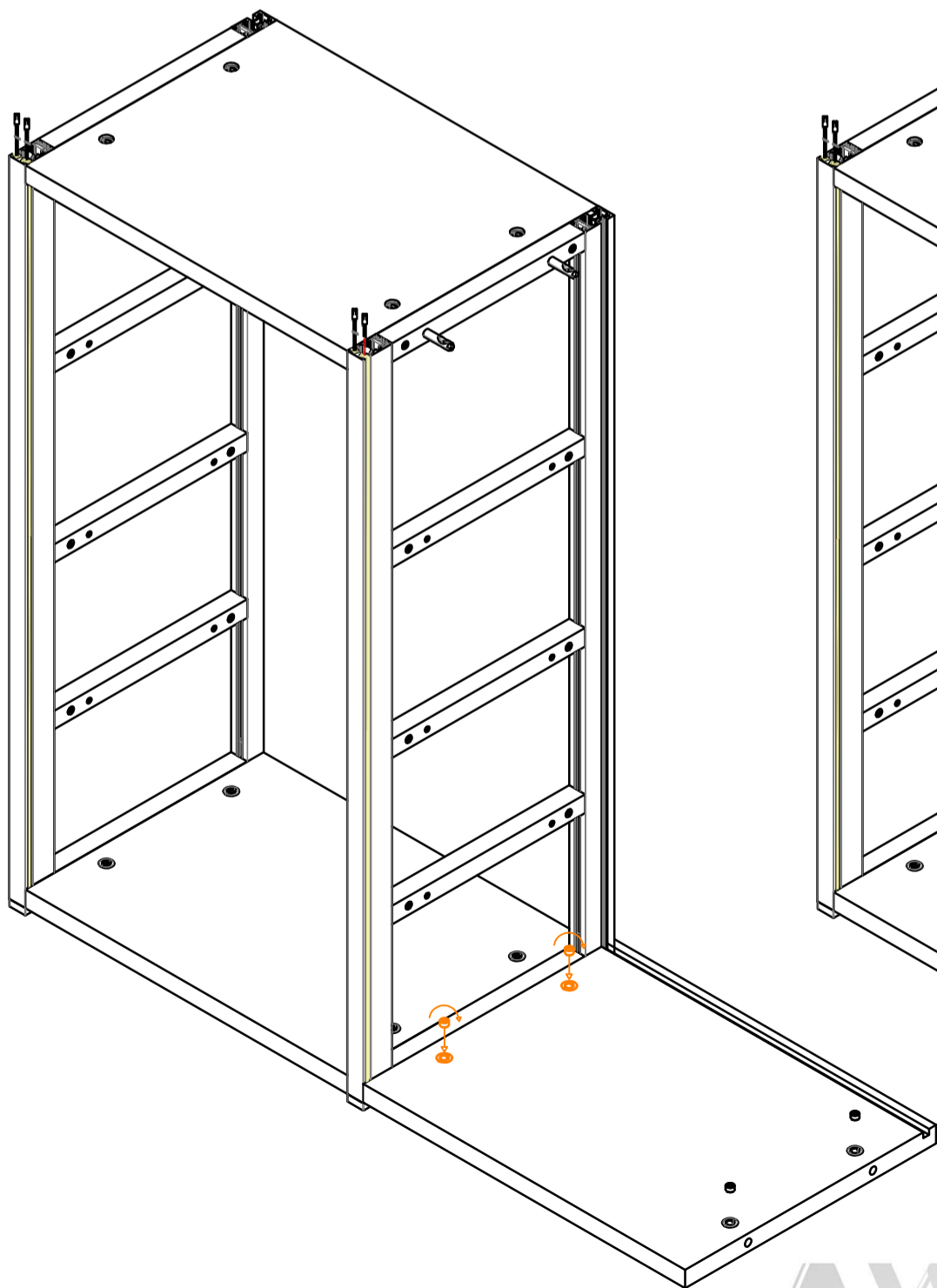
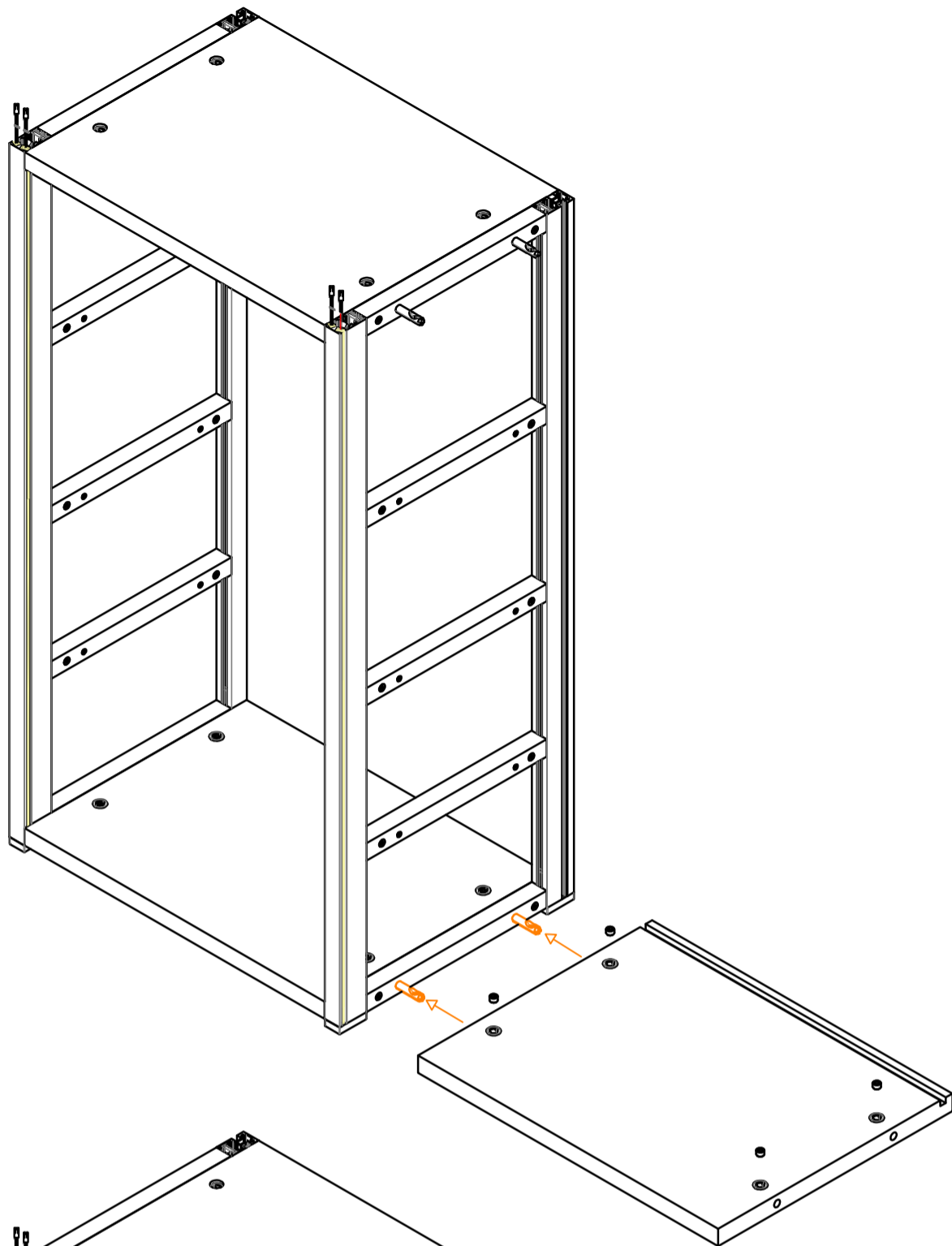
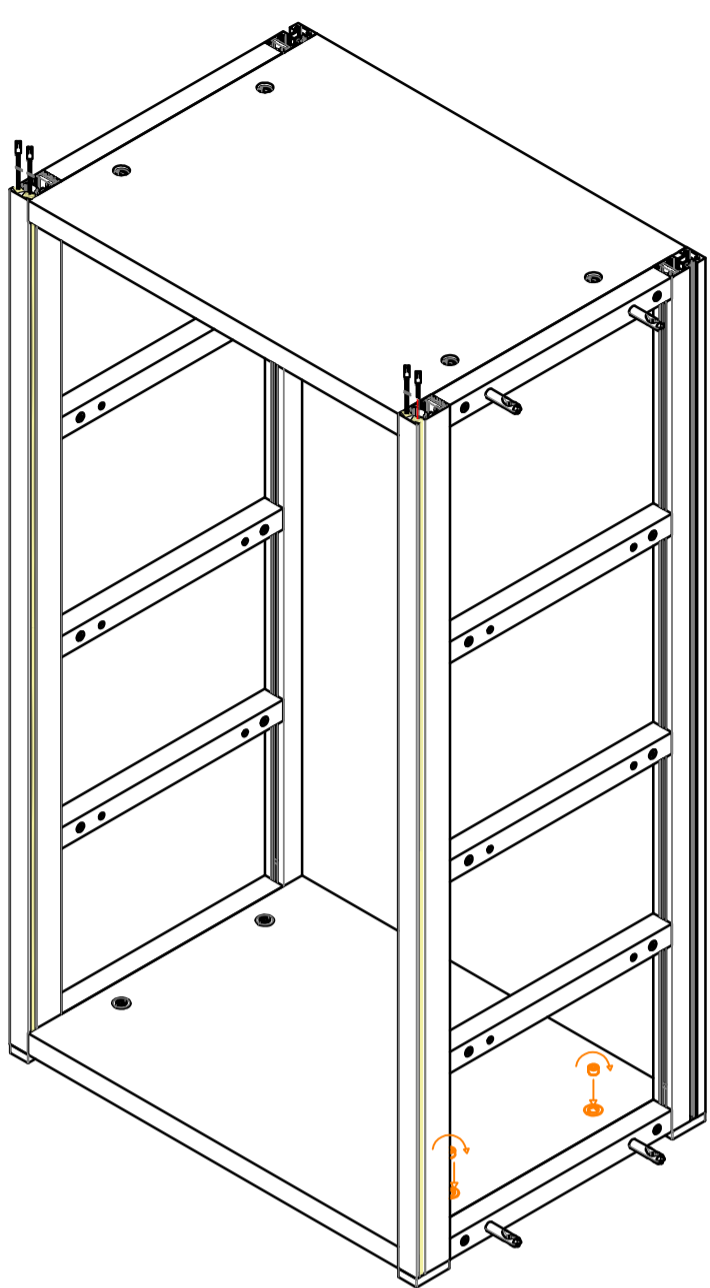
OL-2535

Horizontal profile

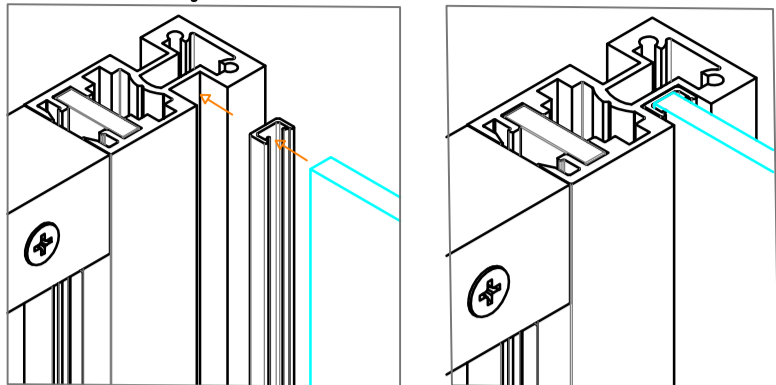
Up to the customer

- 1  Threaded Dowels M6
- 2  Bushing
- 3  Set screw M10



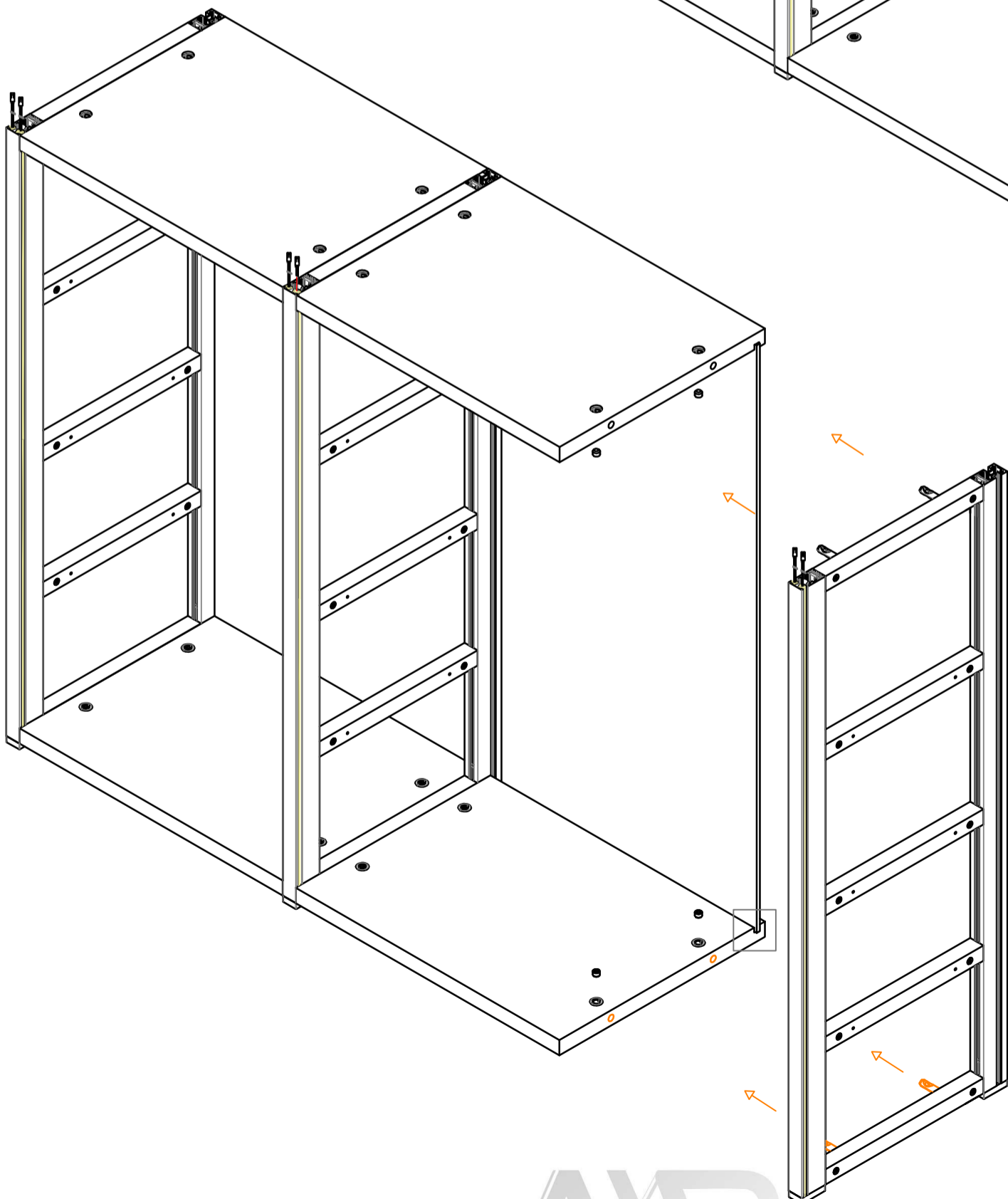
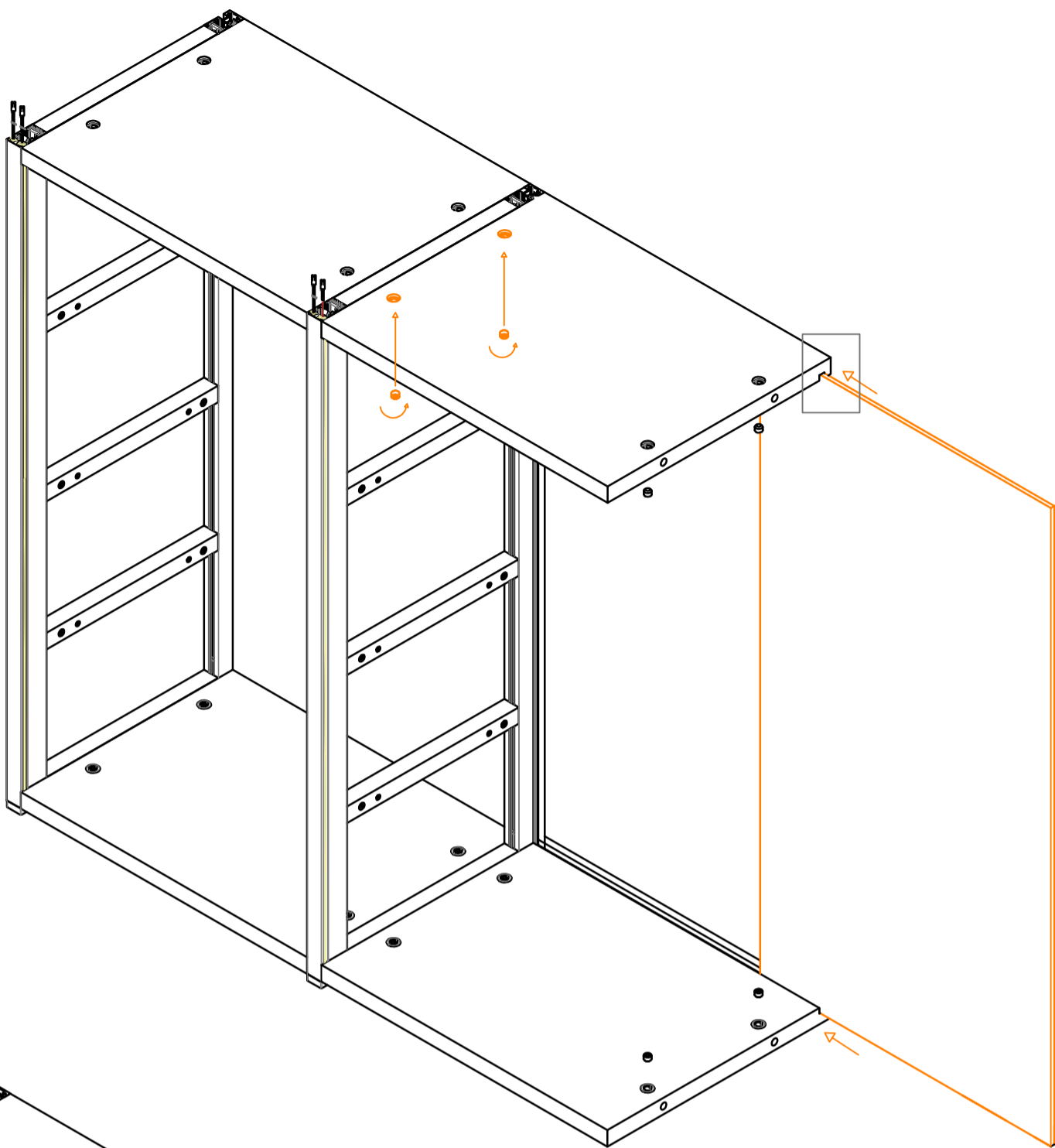
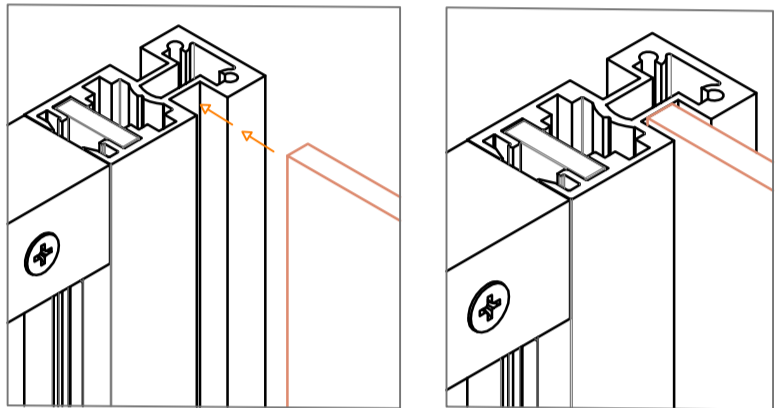


Back side with glass 0.236" (6mm) thickness

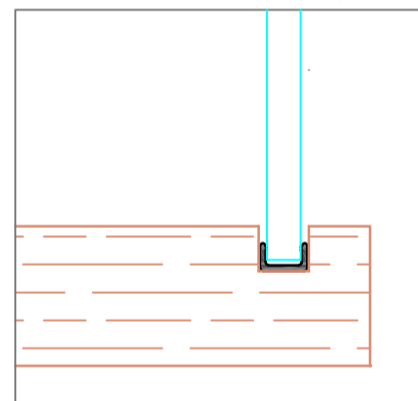


GU-C-RG
Gasket for Glass

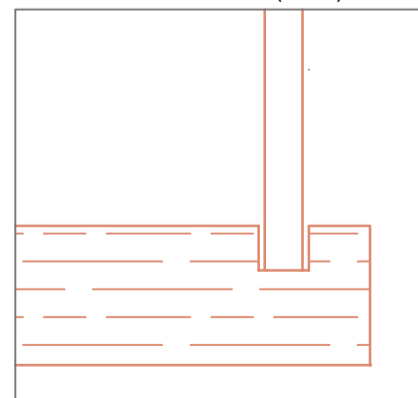
Back side with wood 0.314" (8mm) thickness

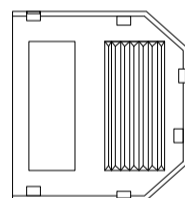
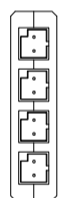
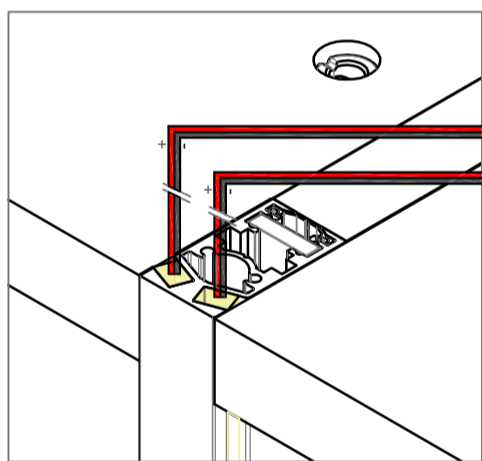
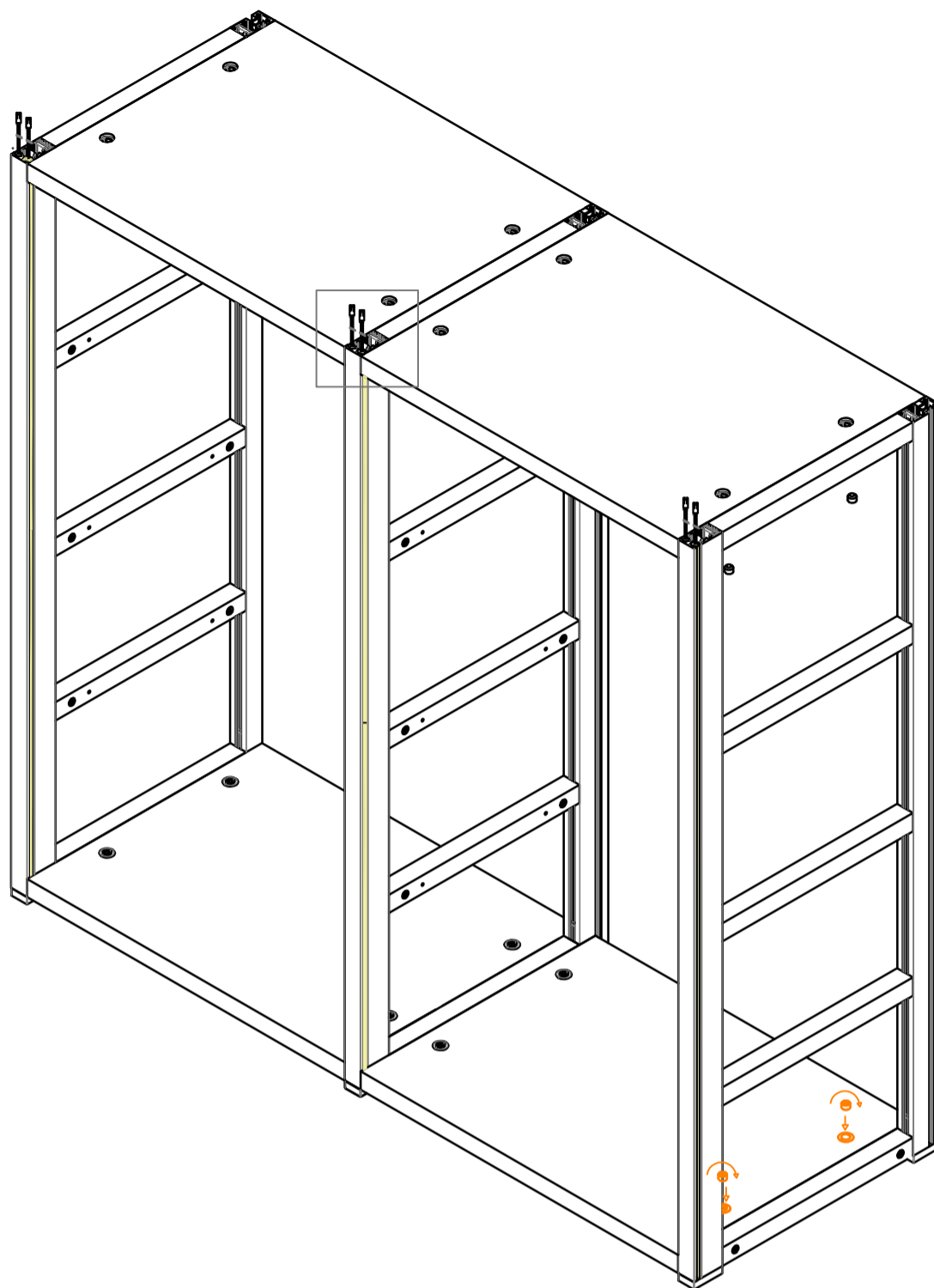


Back side with glass 0.236" (6mm) thickness



Back side with wood 0.314" (8mm) thickness





Distributore a 4 uscite
4-way distribution box

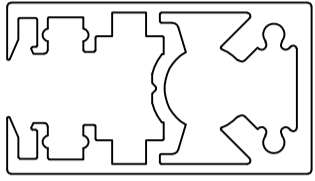
4 ways distribution box



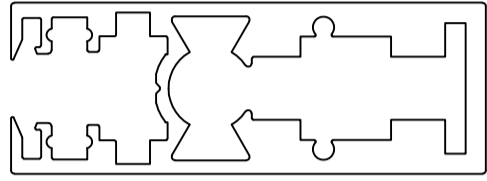
Driver

Wardrobe island type with Elettrified vertical profile assembling instruction

Elettrified Vertical profiles

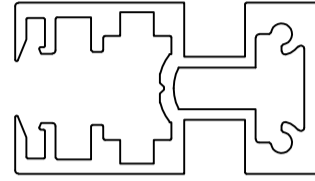


OL-2545



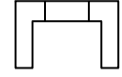
OL-2570

Vertical back profiles

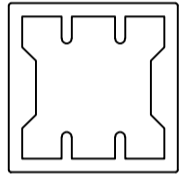


OL-2545RG

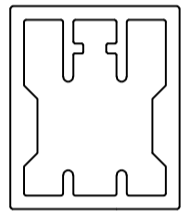
Rack profile



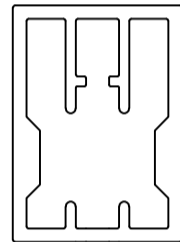
Horizontal profiles



OL-965

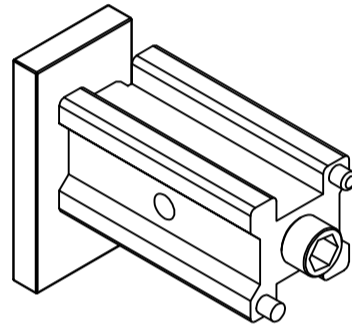


OL-2530



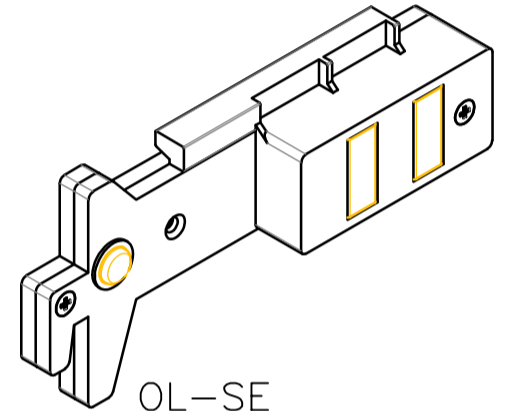
OL-2535

upper/lower joint



OL-GTSI

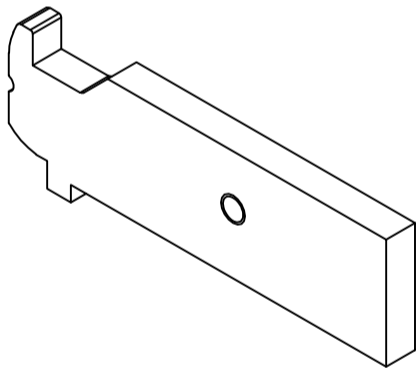
Electrification Supports



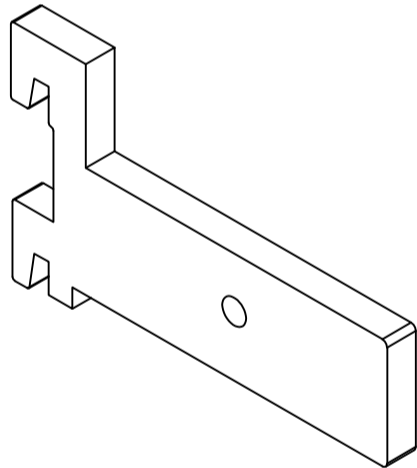
OL-SE

Single Support

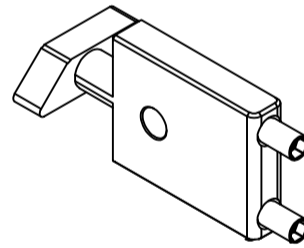
Crossbar



OL-GTC

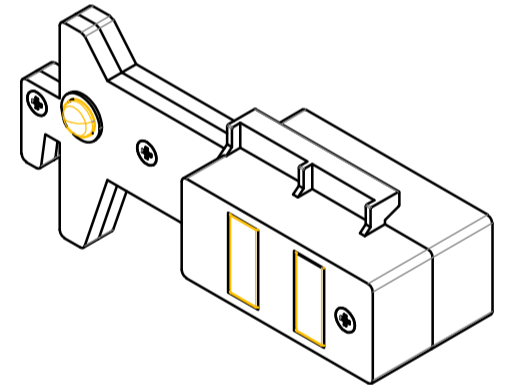


OL-GTC2D



OL-G

to be use without Rack profile

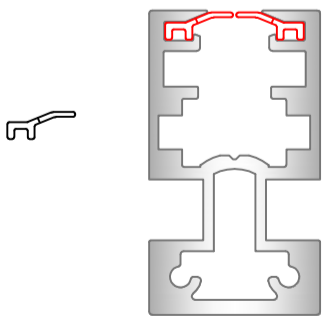


OL-SED

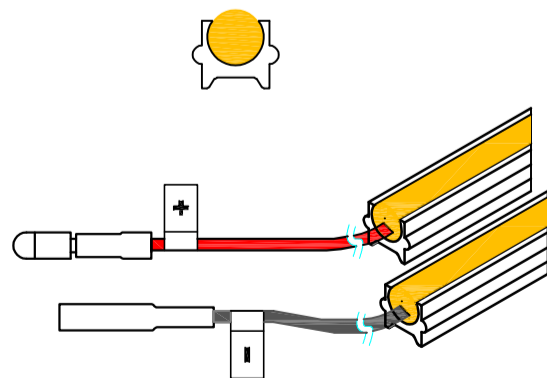
Duble Support

GU-0-Lung (118.110")
(3000mm)

Gasket fumè

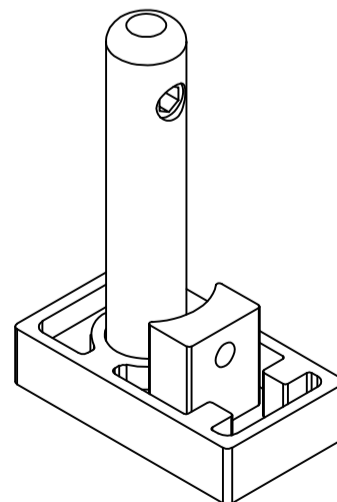


Couple of Extrusion PVC copper

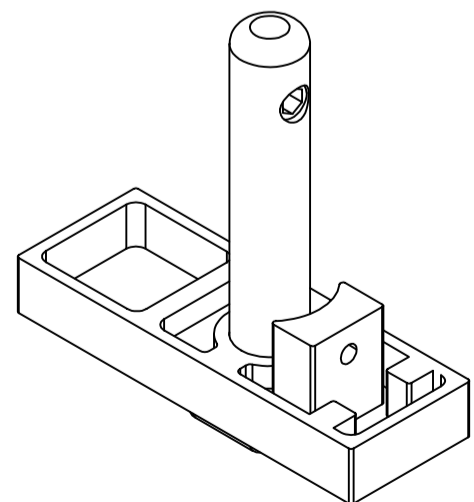


OL-ER

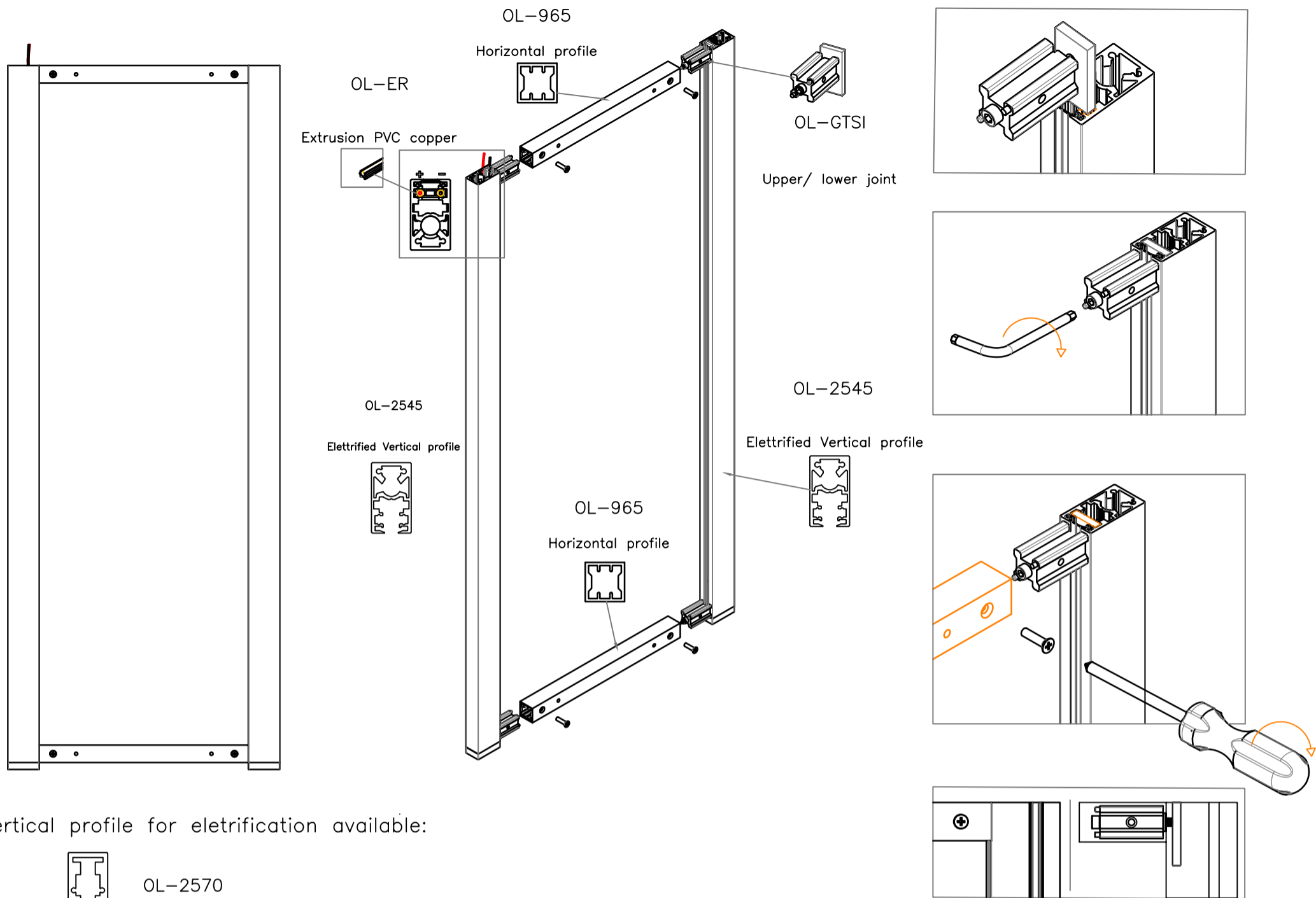
Adjustable Foot for vertical profile



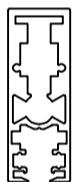
OL-P-VN



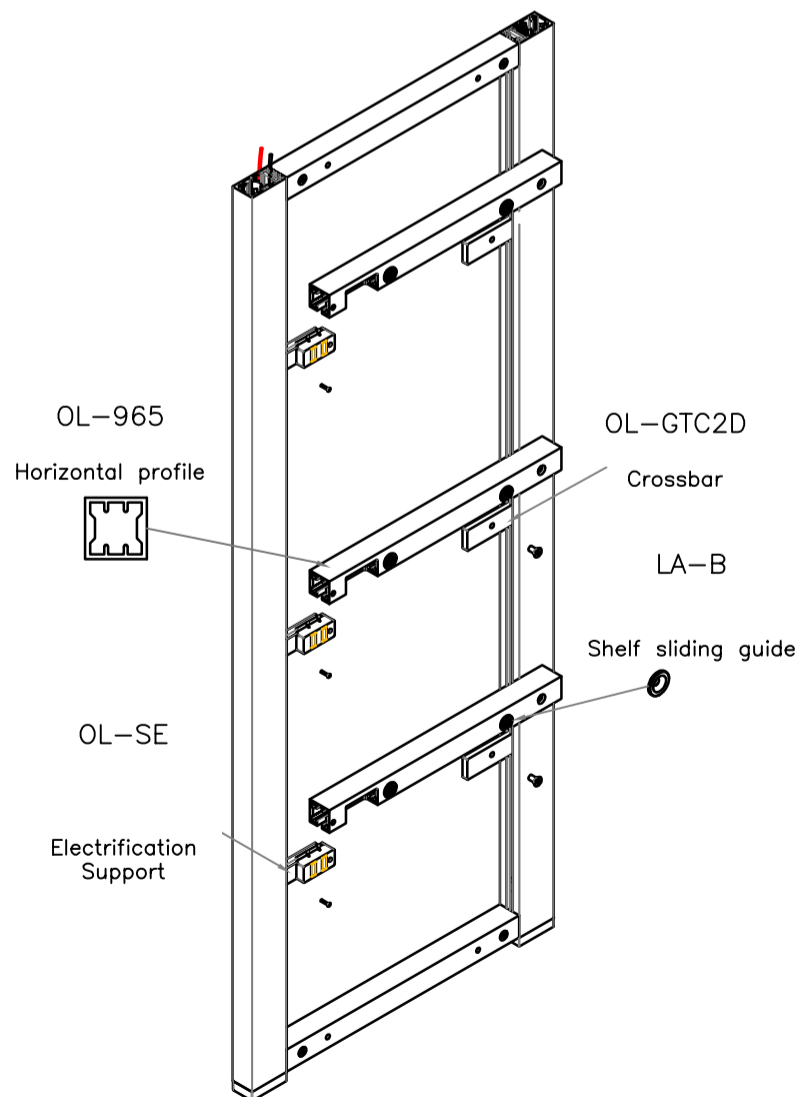
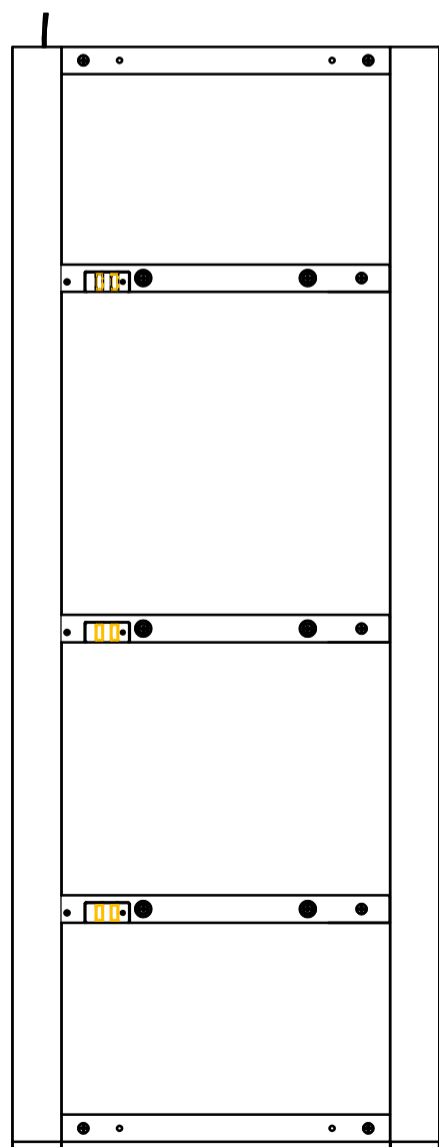
OL-P70-VN



Vertical profile for eletrification available:

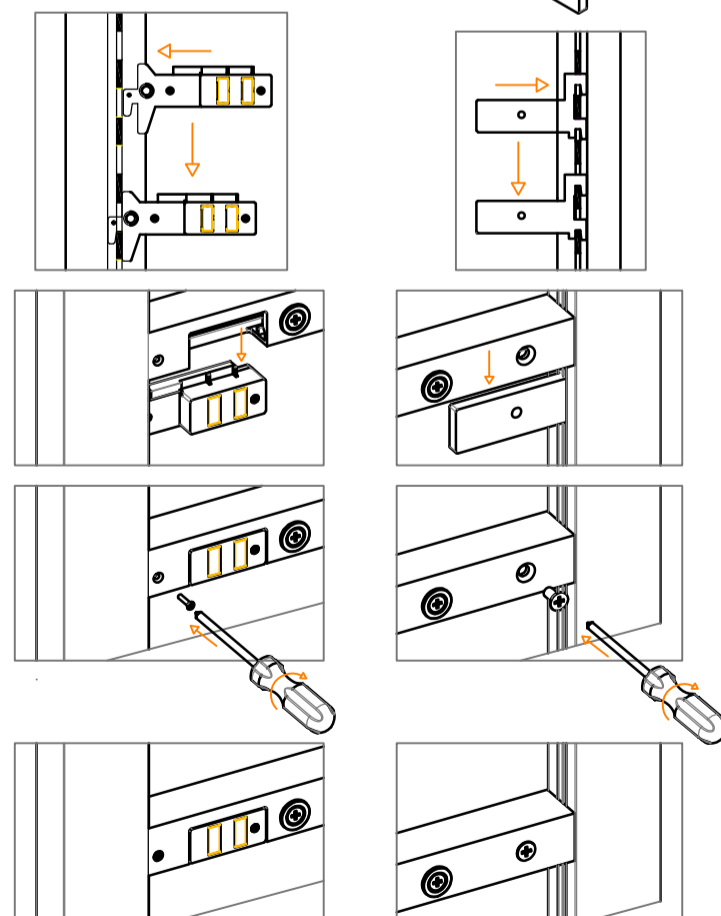


OL-2570
Elettrified Vertical profile



OL-SE
Electrification Support

OL-GTC2D
Crossbar



Horizontal profile available:






OL-2530
Horizontal profile

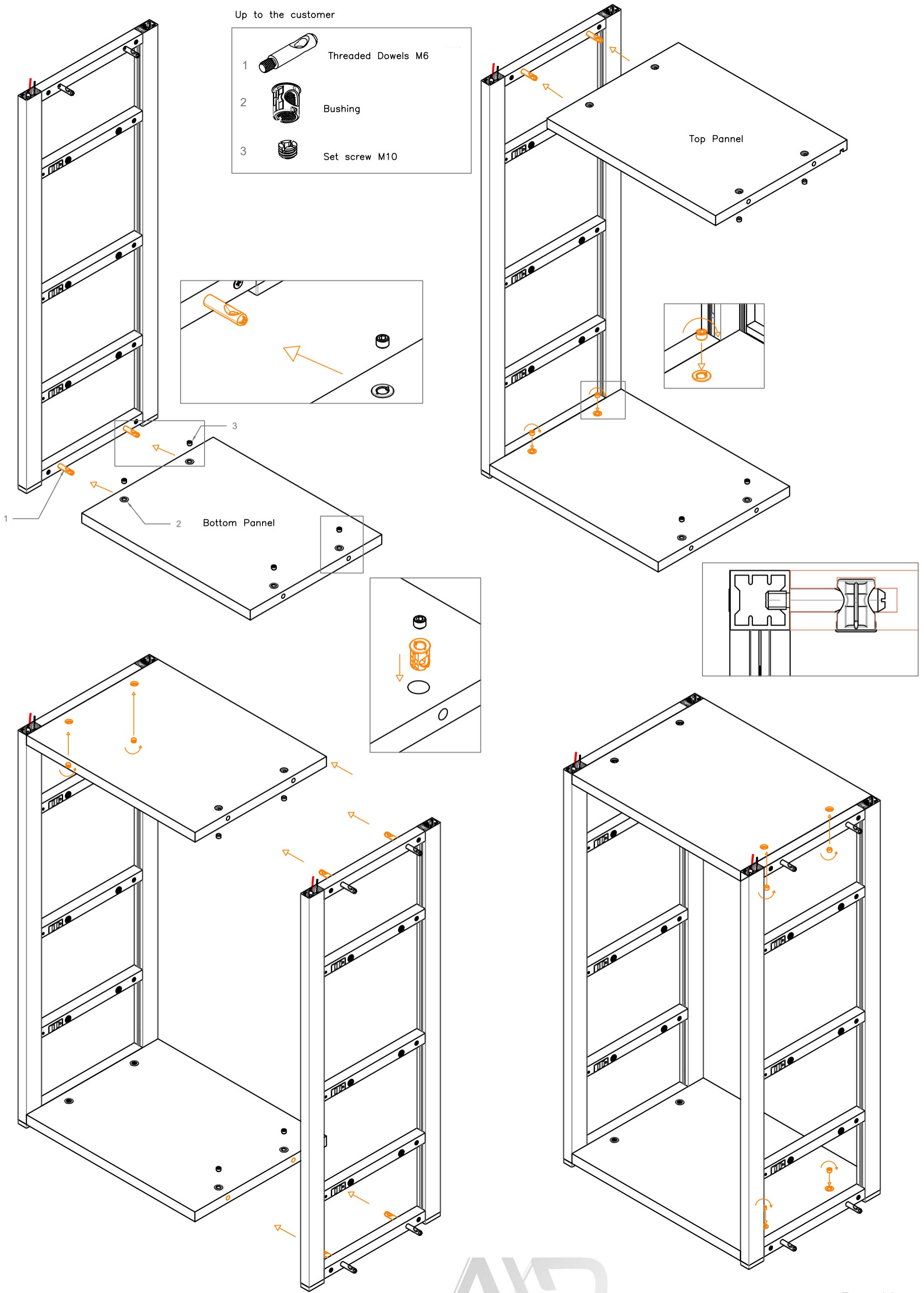


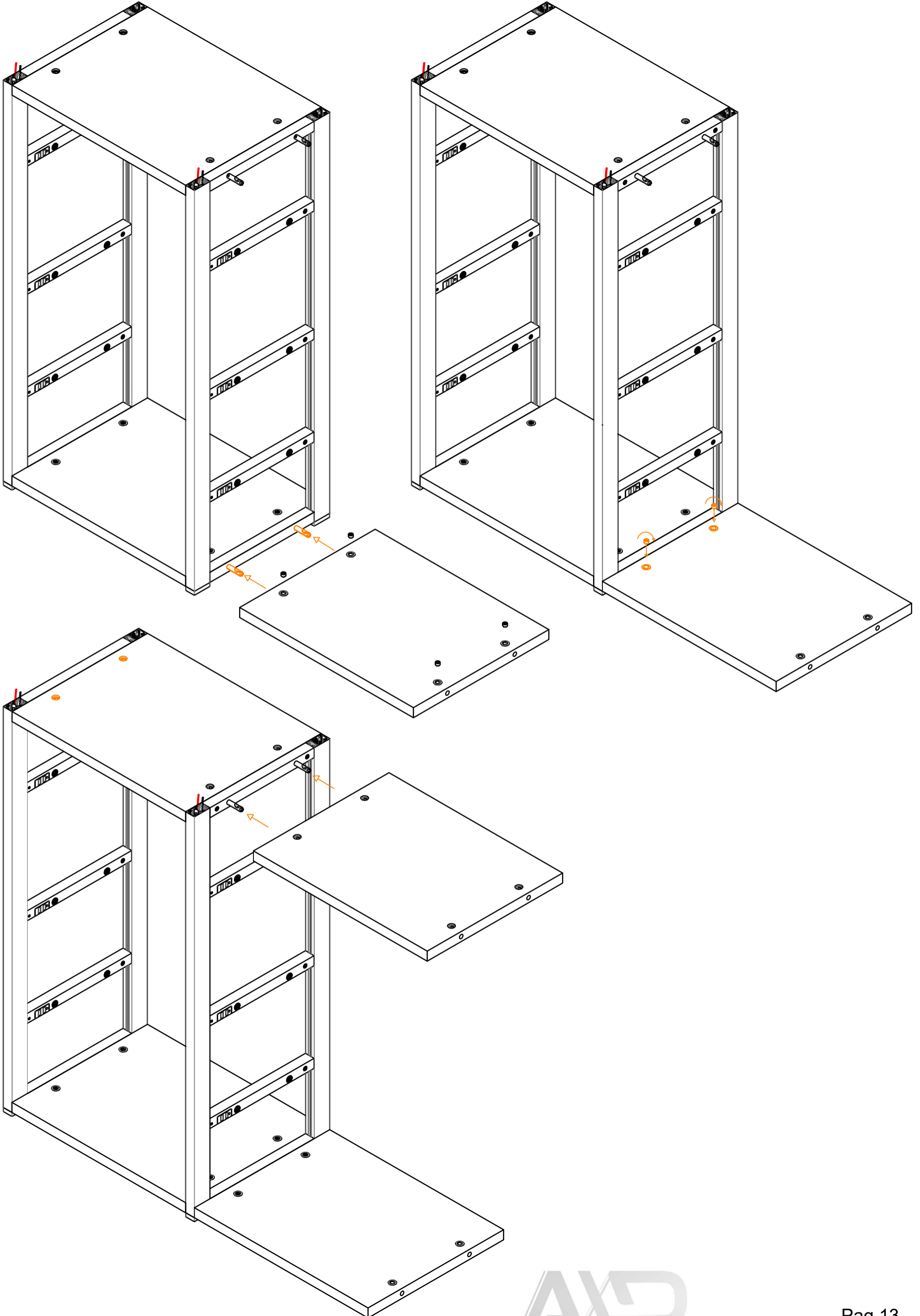
OL-2535
Horizontal profile

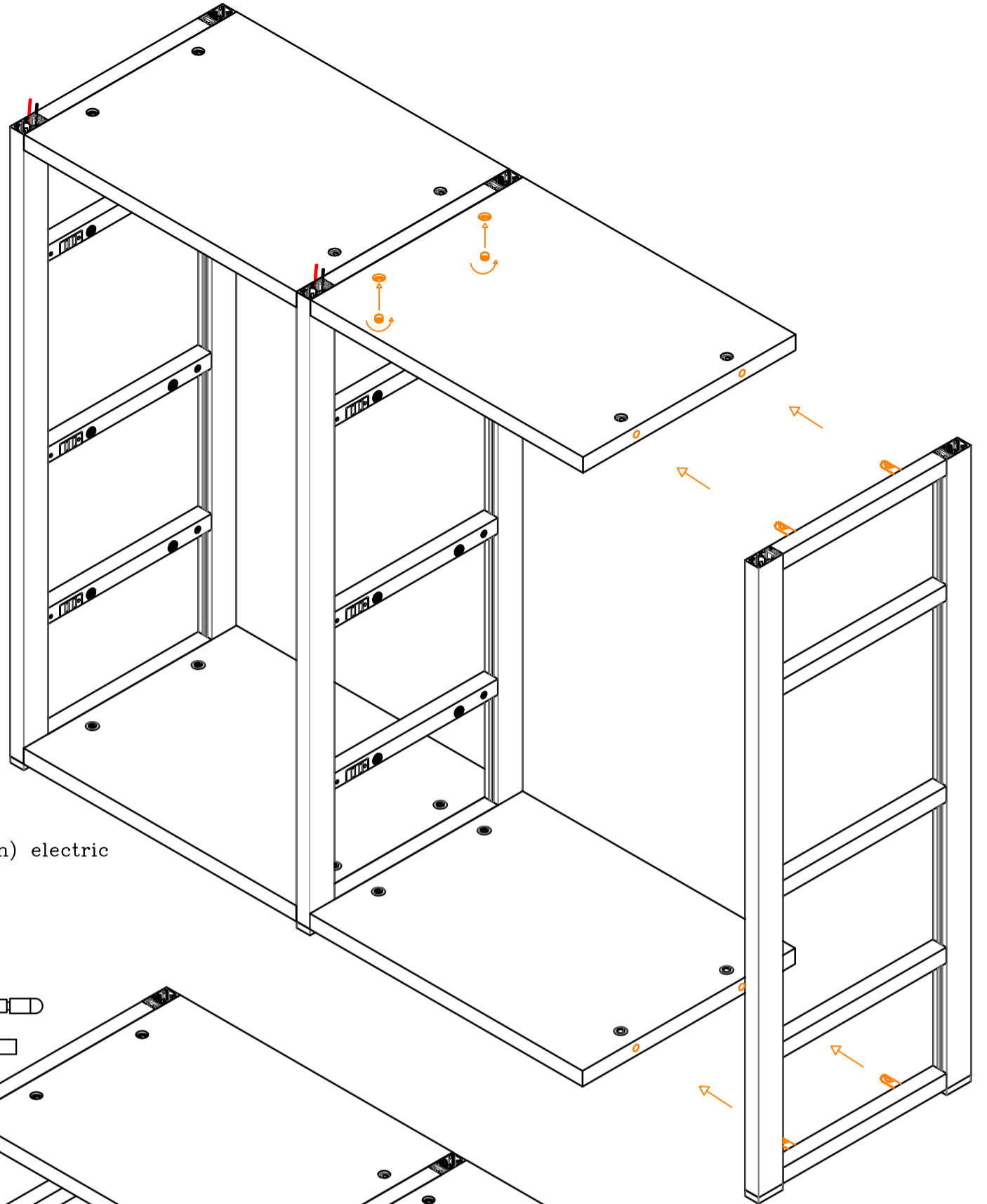


Up to the customer

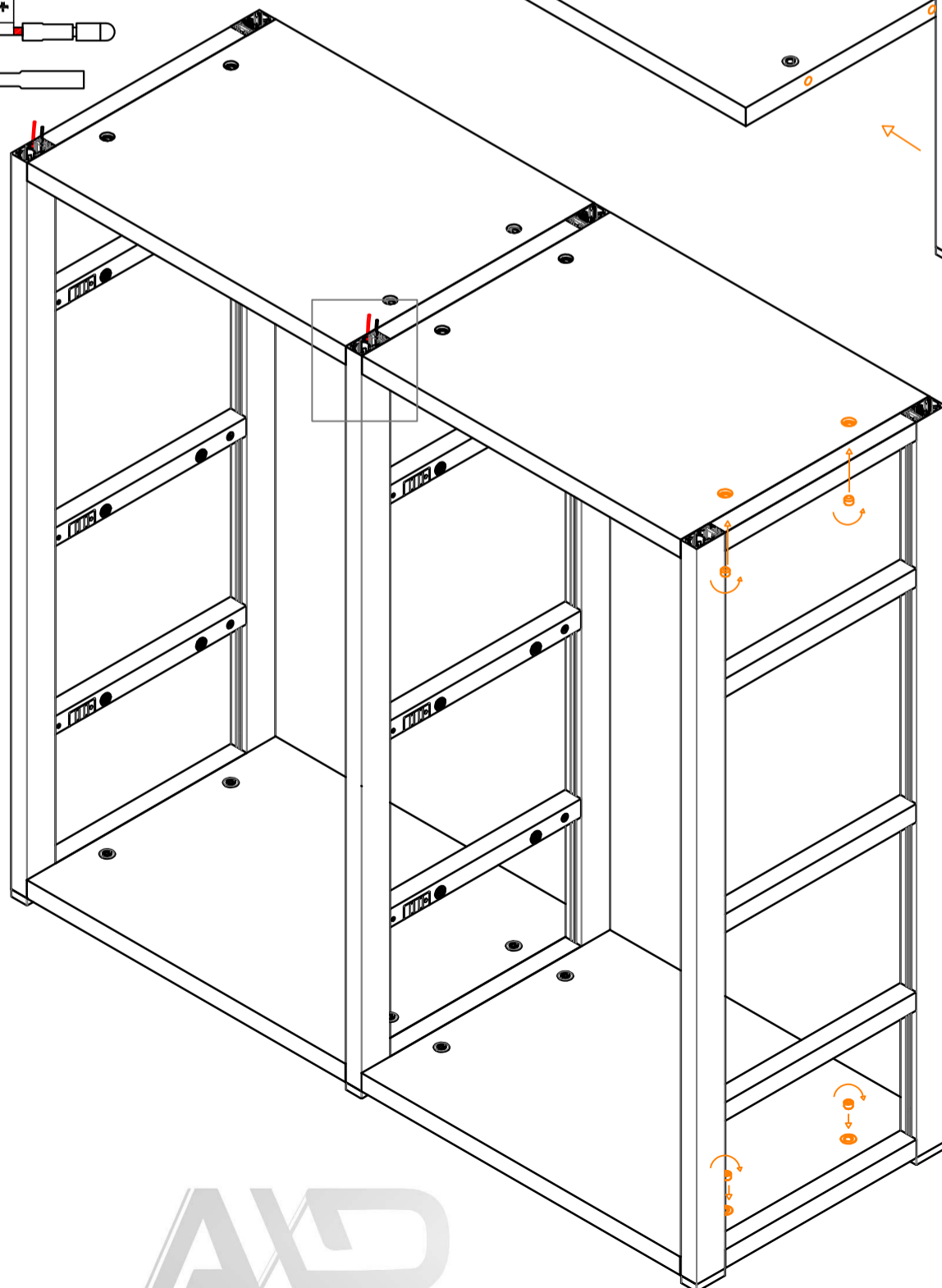
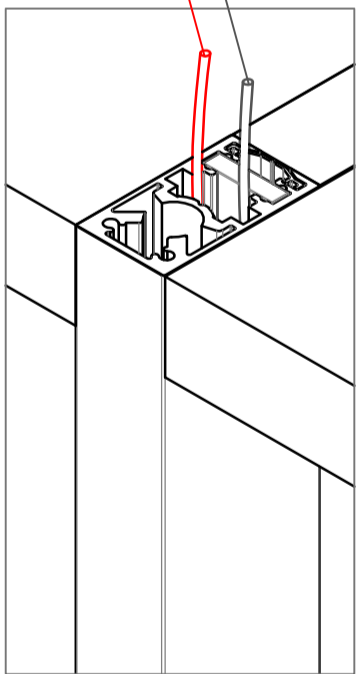
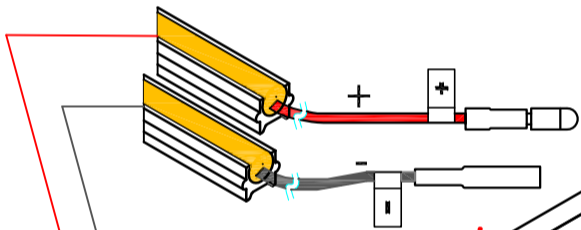
- 1  Threaded Dowels M6
- 2  Bushing
- 3  Set screw M10



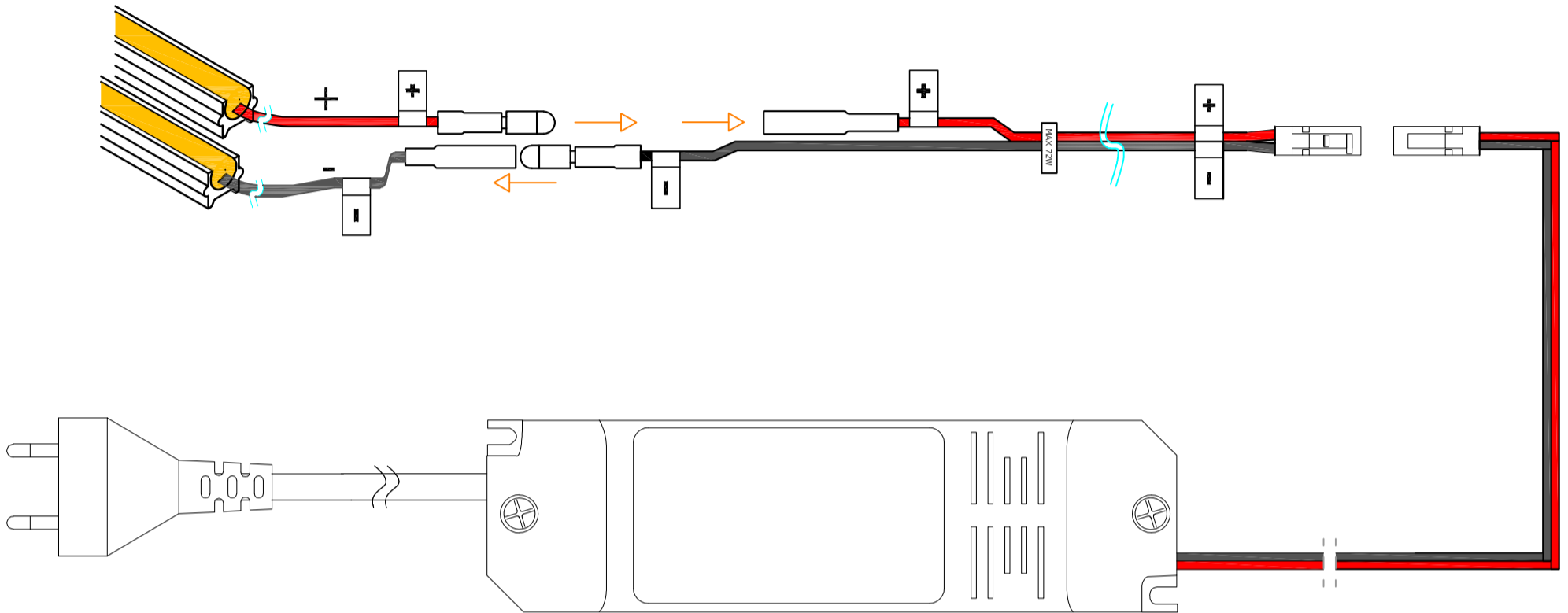




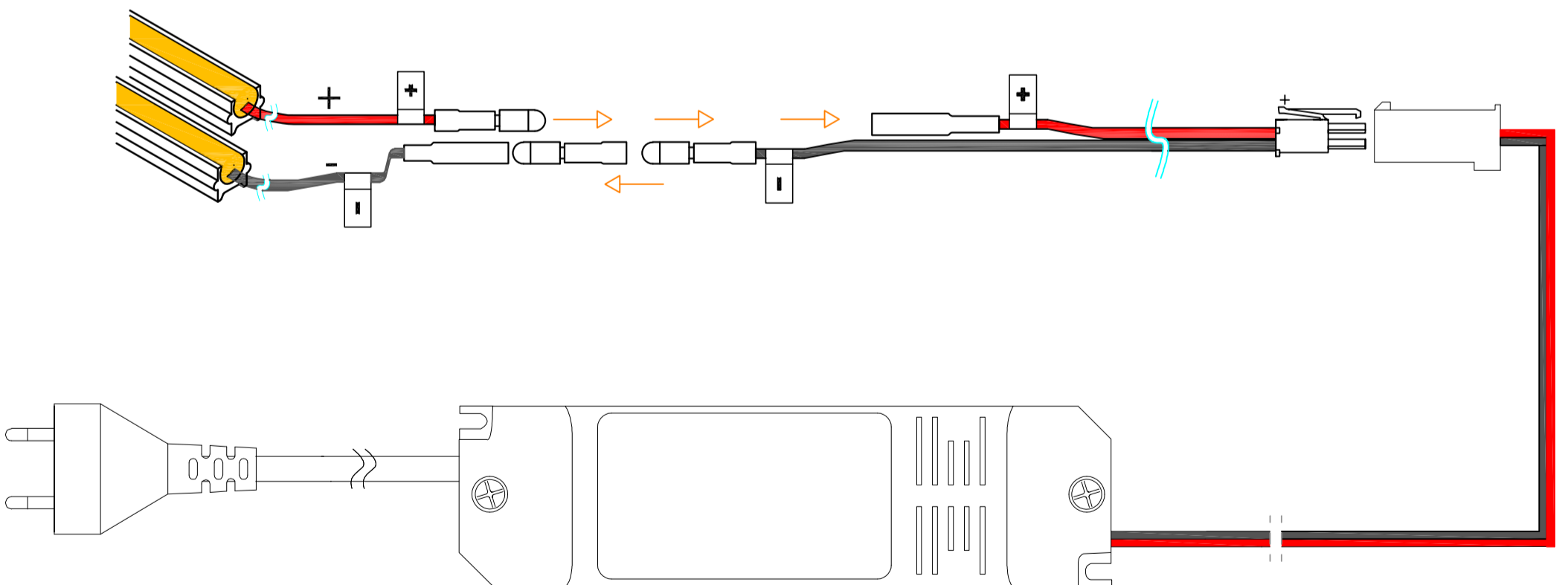
OL-ER-3000 with 21.456" (545mm) electric cable



245 mm (9.645") electric cable with 12V connector for power supply connection 70W Max

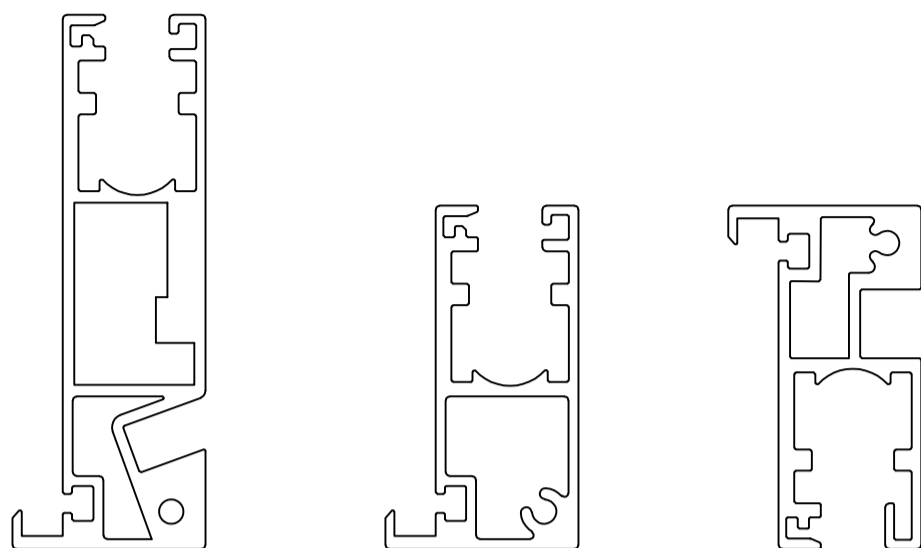


9.645"(245 mm) electric cable with mini mate-n-lock connector for power supply connection up to 150W

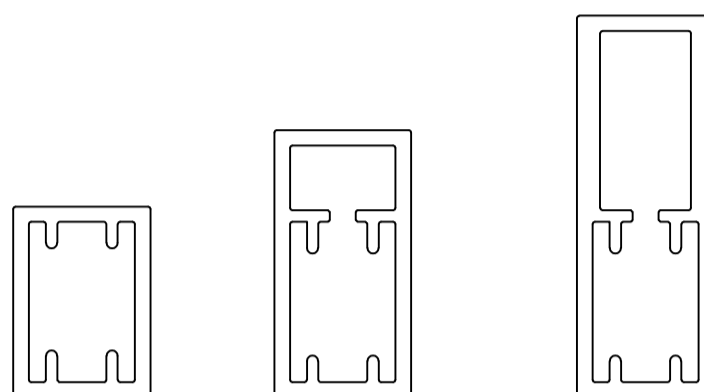


Glass side assembling instruction

Vertical front profiles for glass side not eletrified

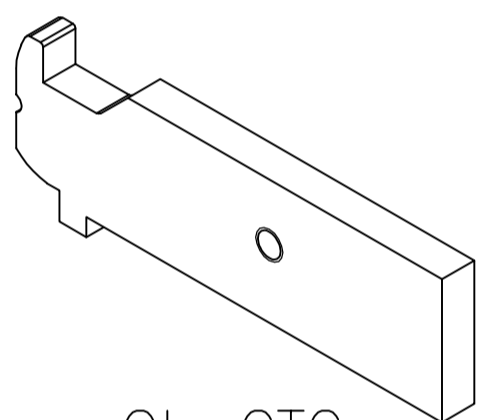


Horizontal profiles for glass side

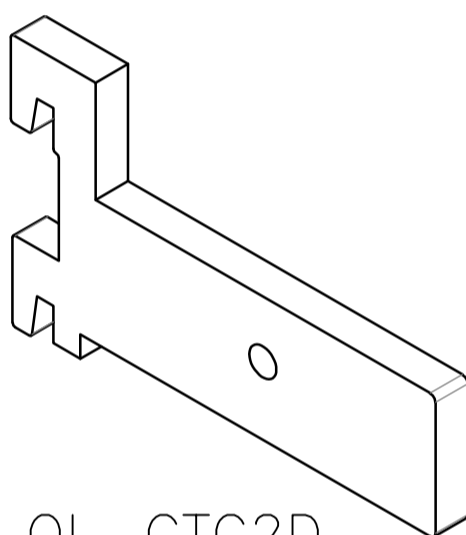


OL-2570FL SG-2545A SG-2545P OL-1825 OL-1835 OL-1850

Crossbar

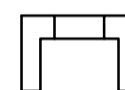


OL-GTC



OL-GTC2D

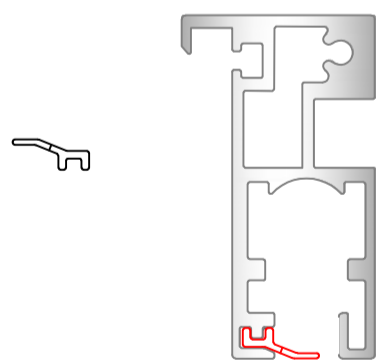
Rack profile



BF-914

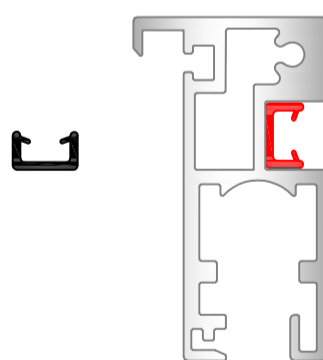
GU-O-Lung (118.110")
(3000mm)

Gasket fumè



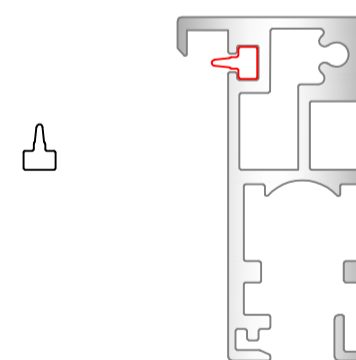
GU-BAFFO

Glass Gasket for glass side



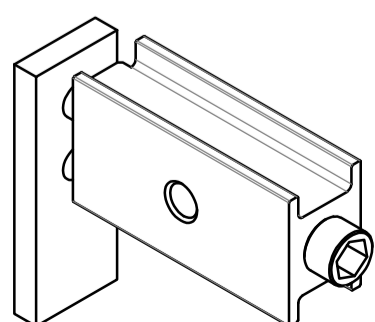
GU-C-RG (118.110")
(3000mm)

Black gasket for Glass

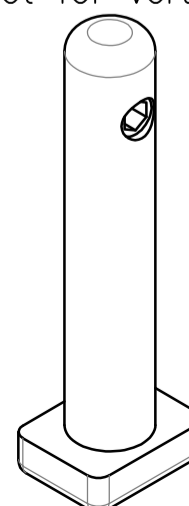


Adjustable Foot for vertical profile

upper/lower joint



OL-GTSI-FV



PIE-REG-ONLY



SG-2545A

Back vertical profile with glass side

vertical profile with glass side

GU-BAFFO

OL-GTSI-FV

GU-O-Lung

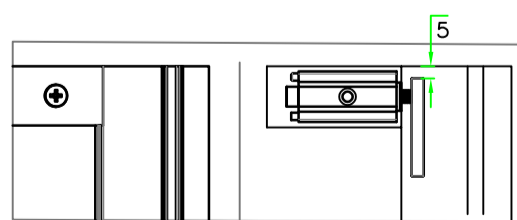
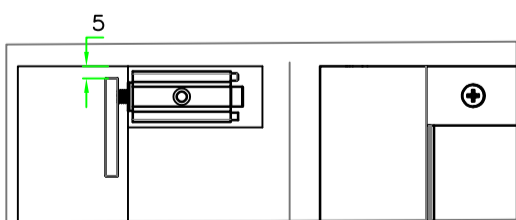
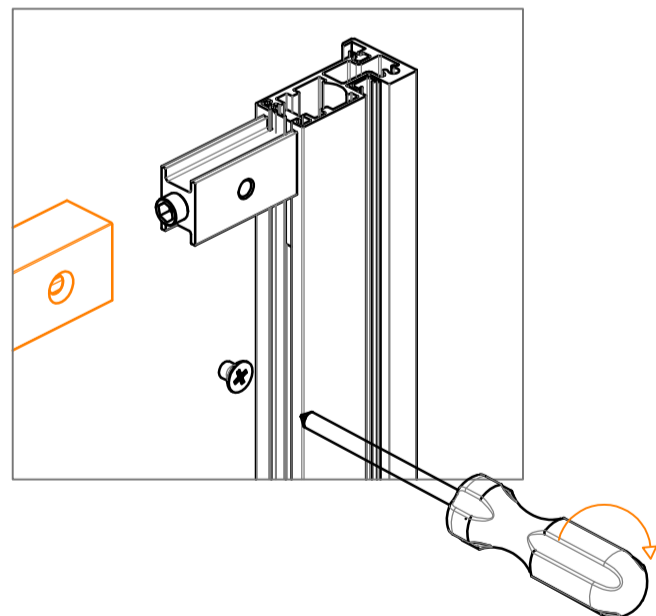
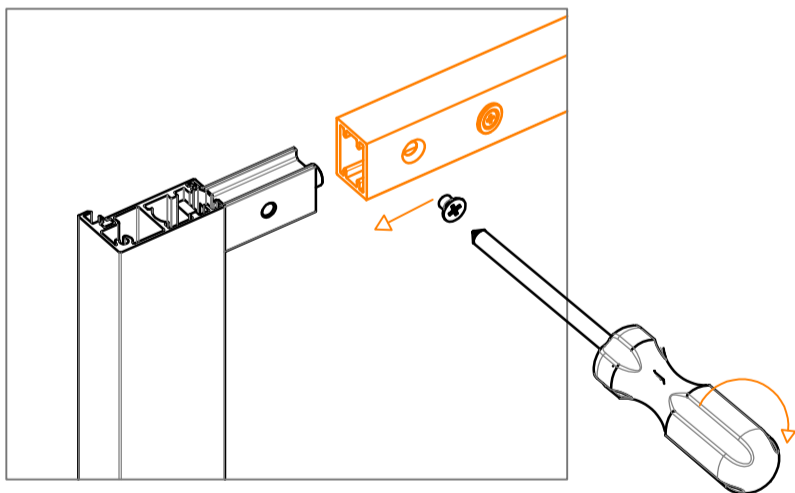
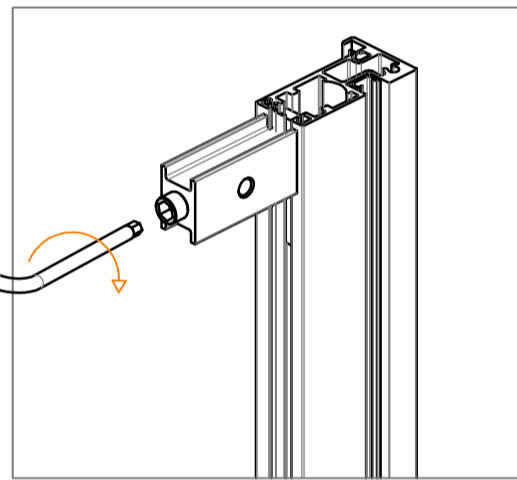
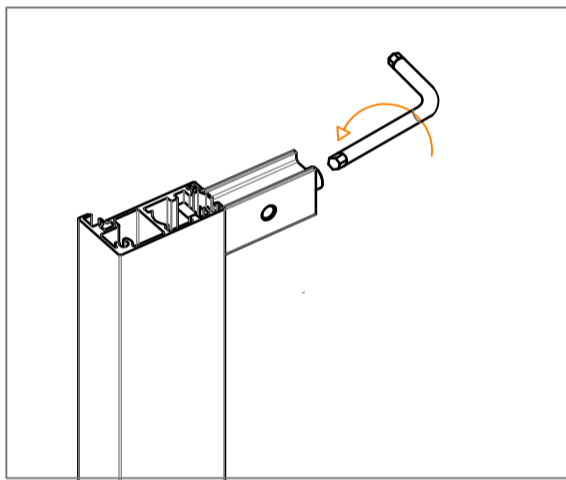
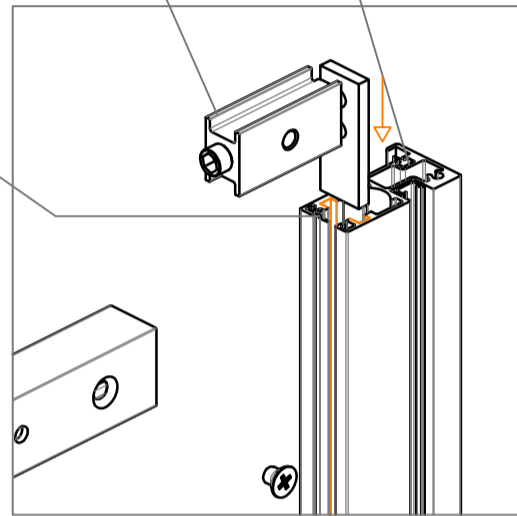
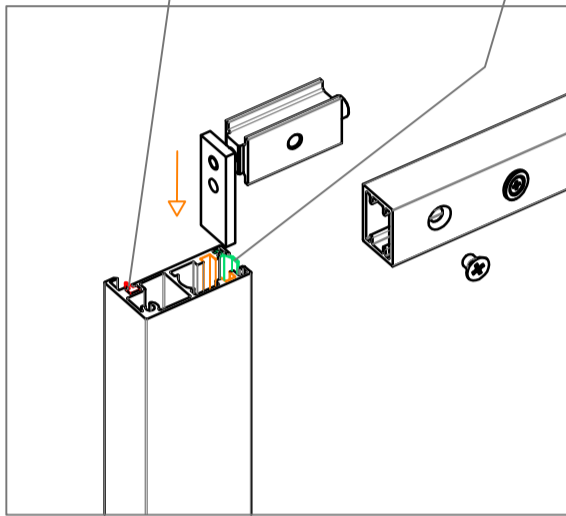
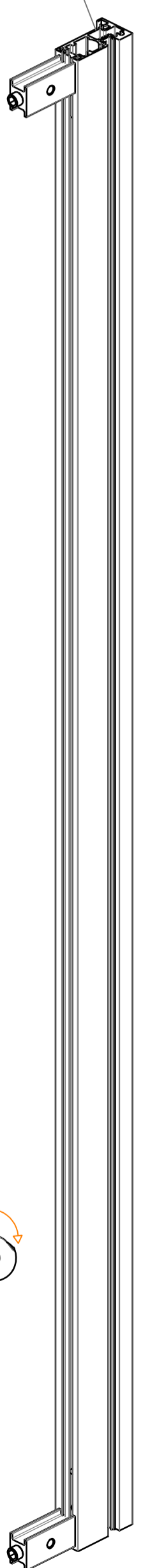
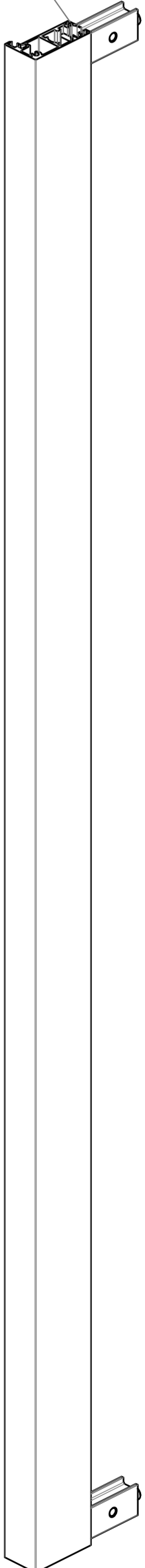
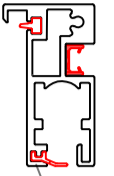
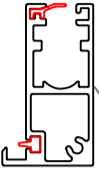
Upper/lower joint

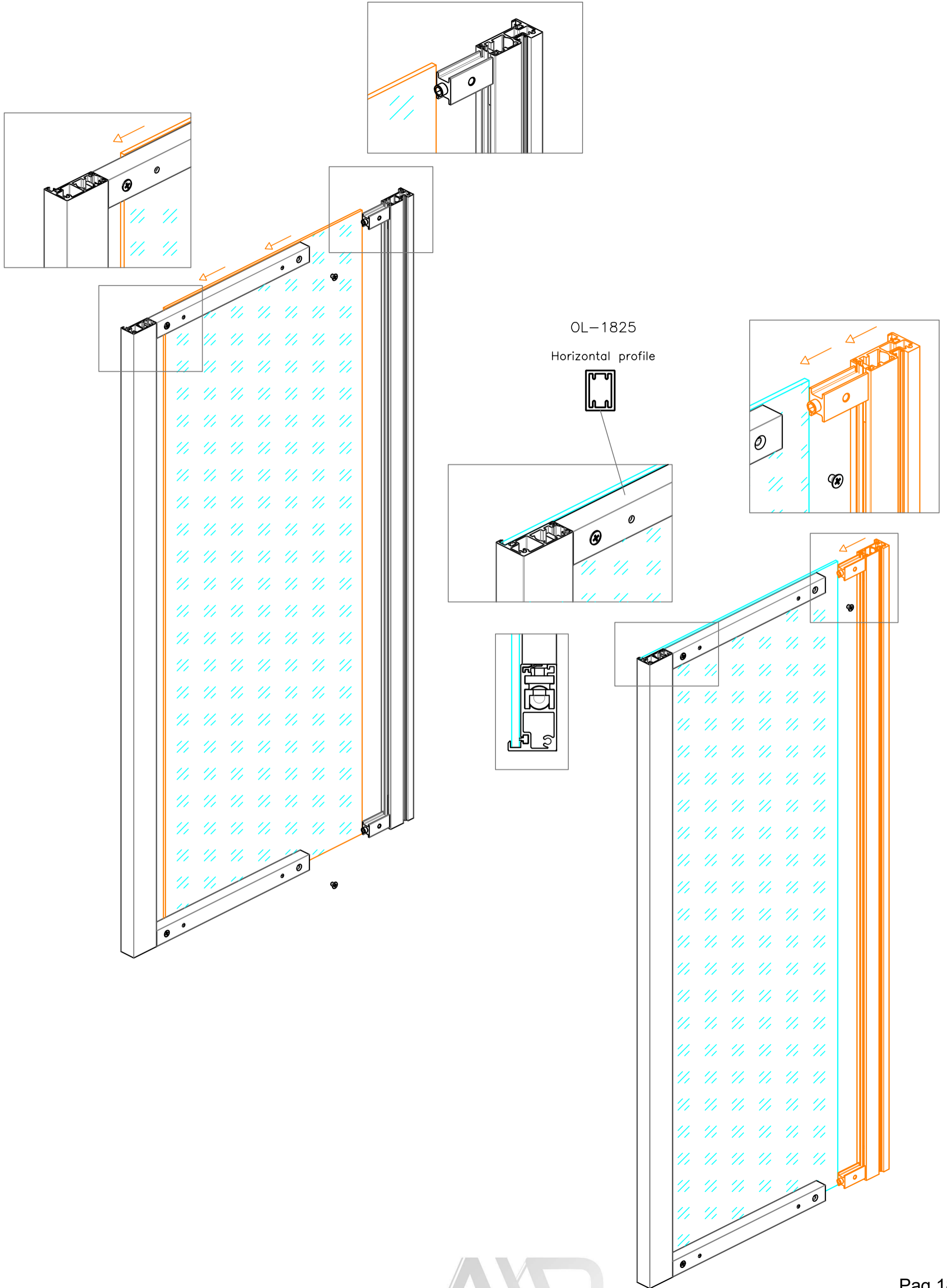
GU-C-RG

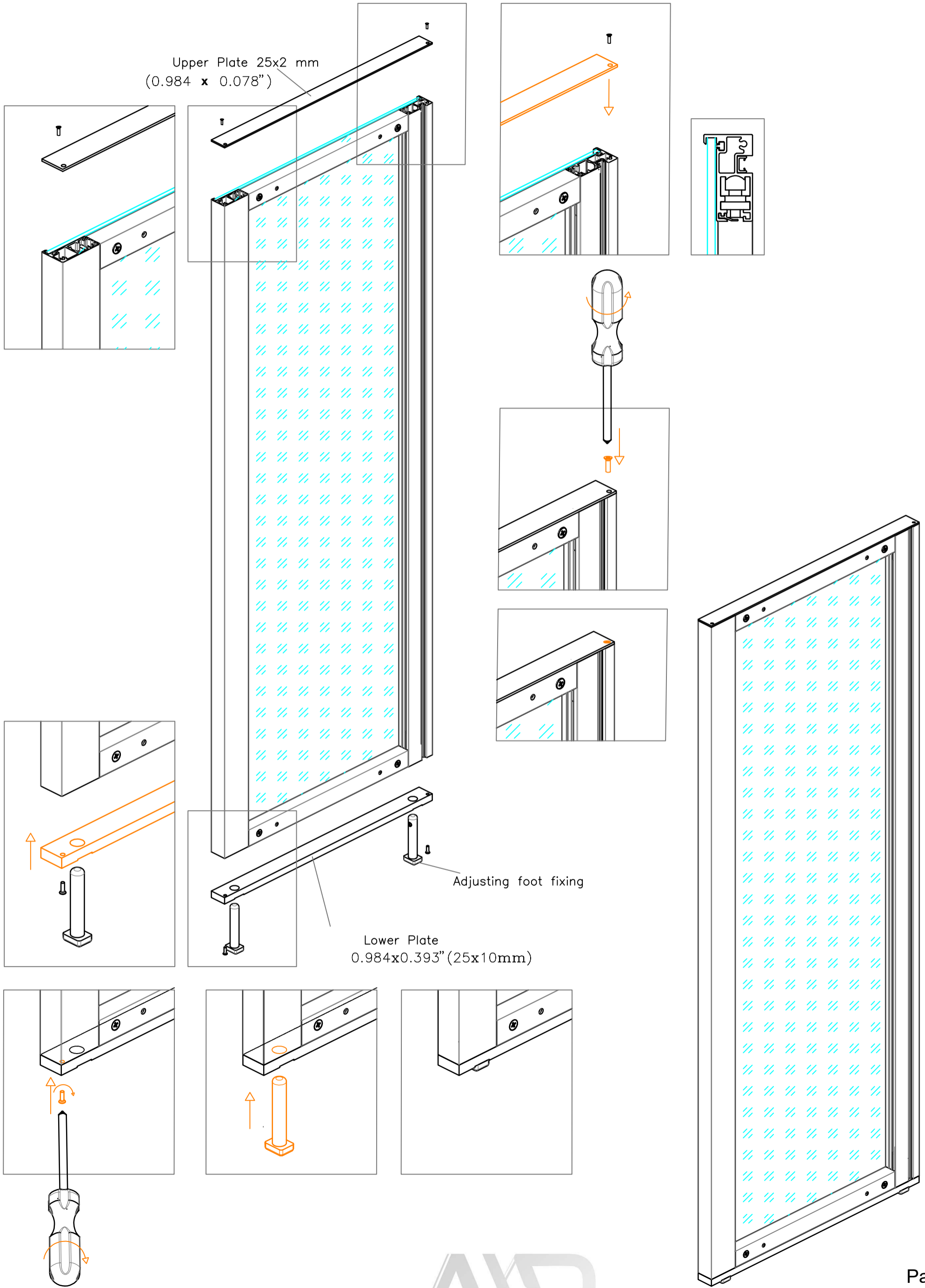
Glass Gasket For glass side

Gasket

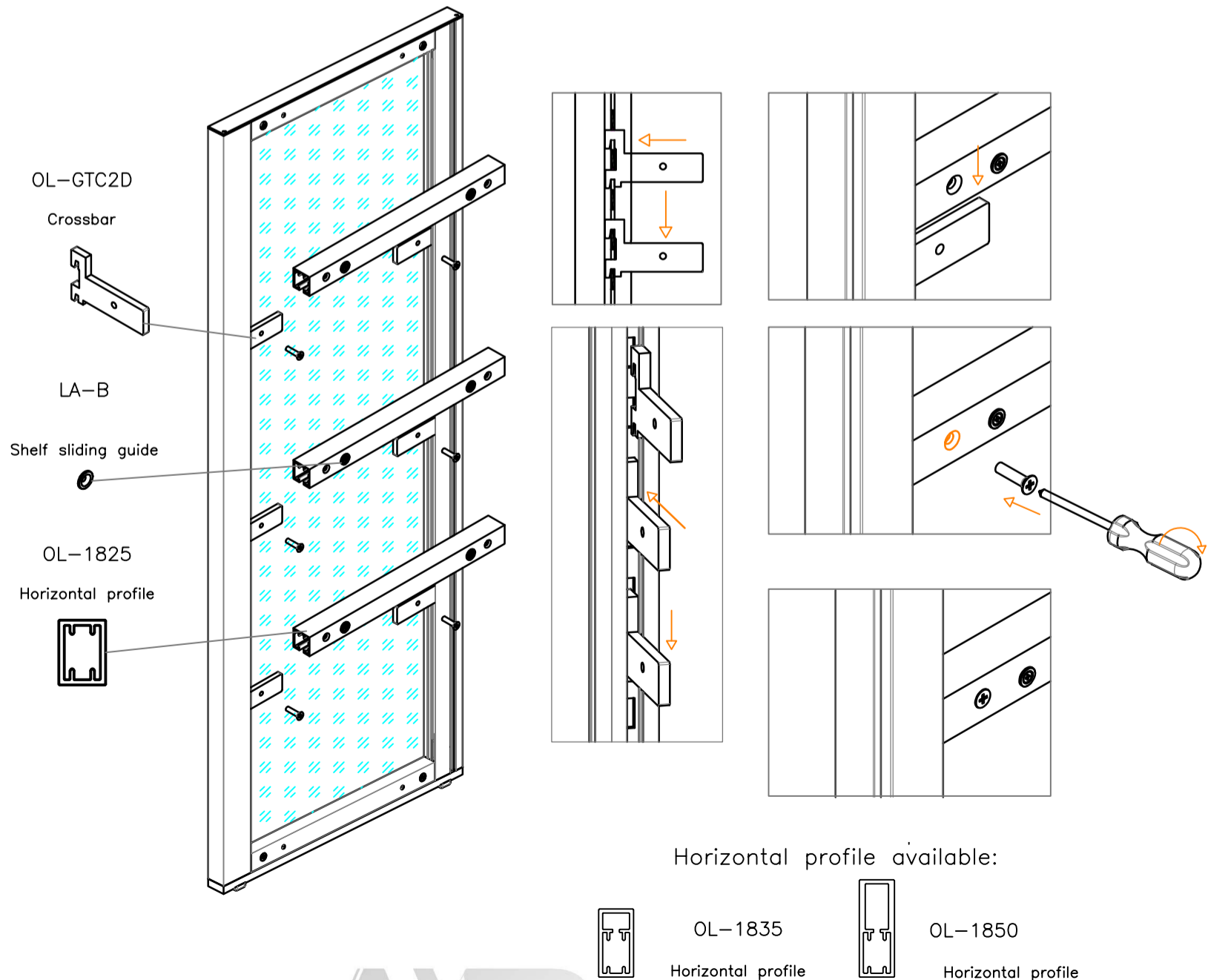
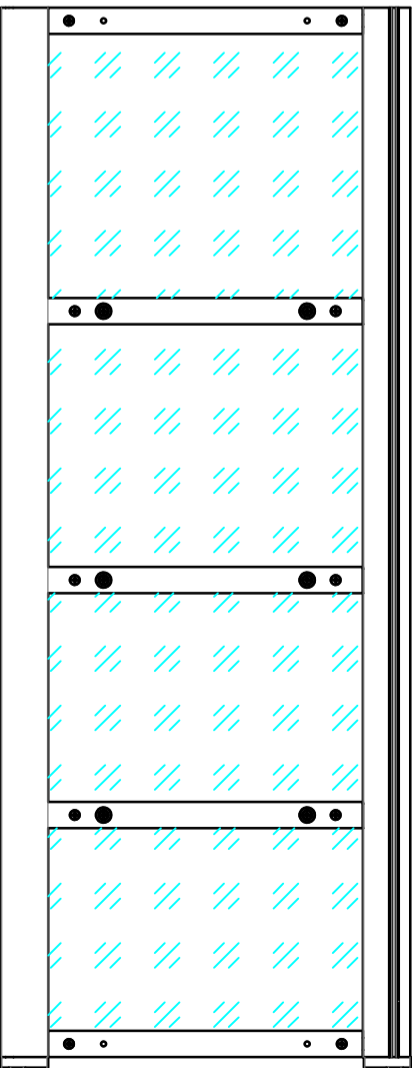
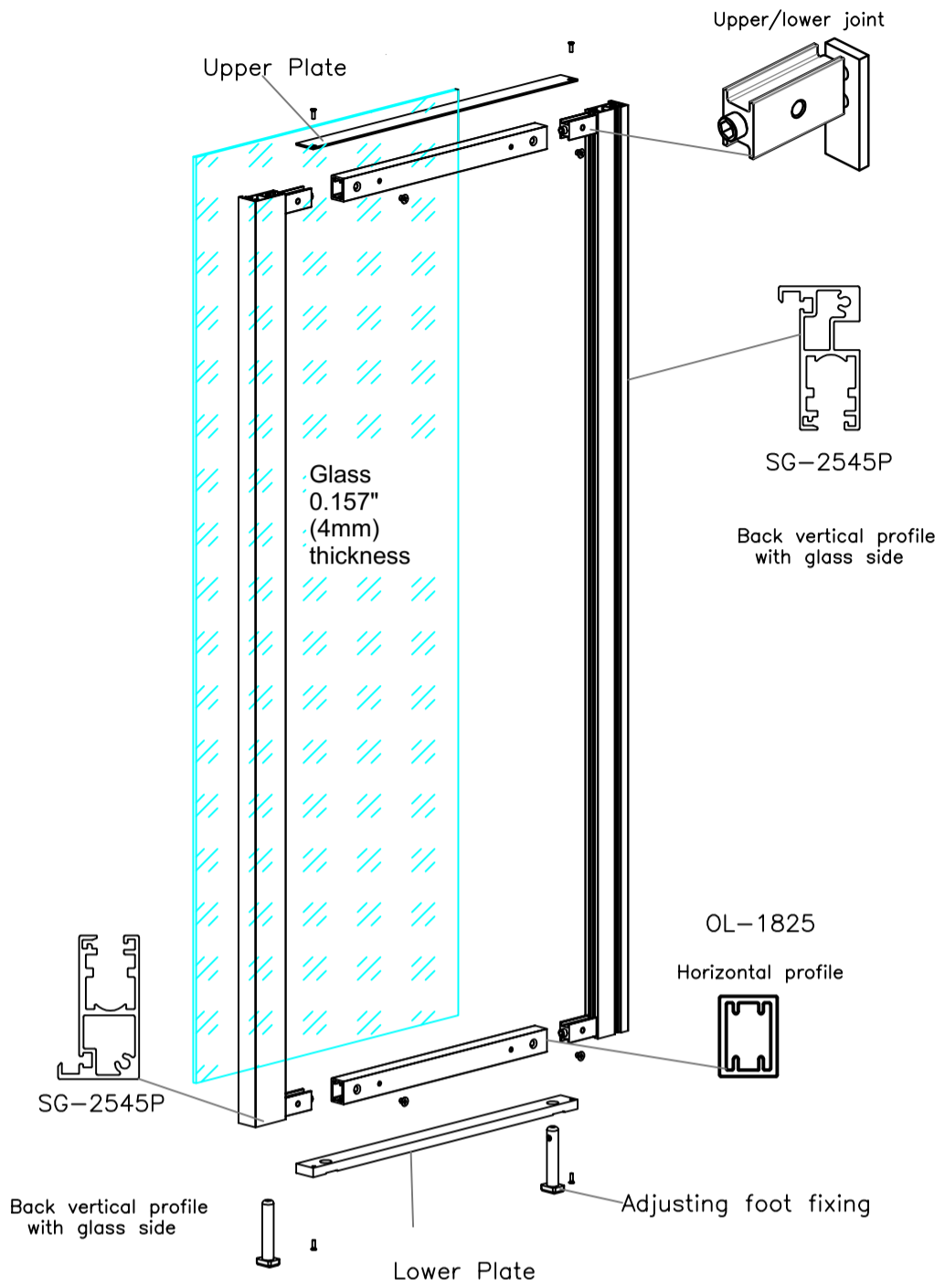
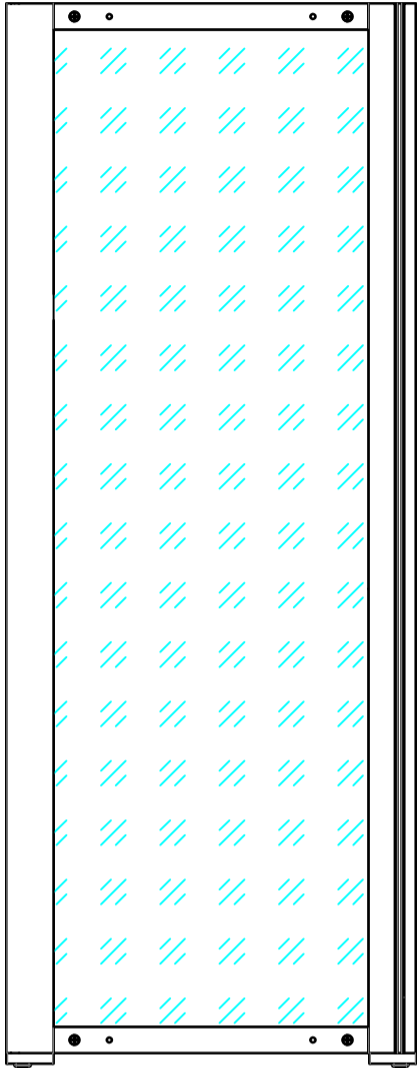
Gasket for Glass

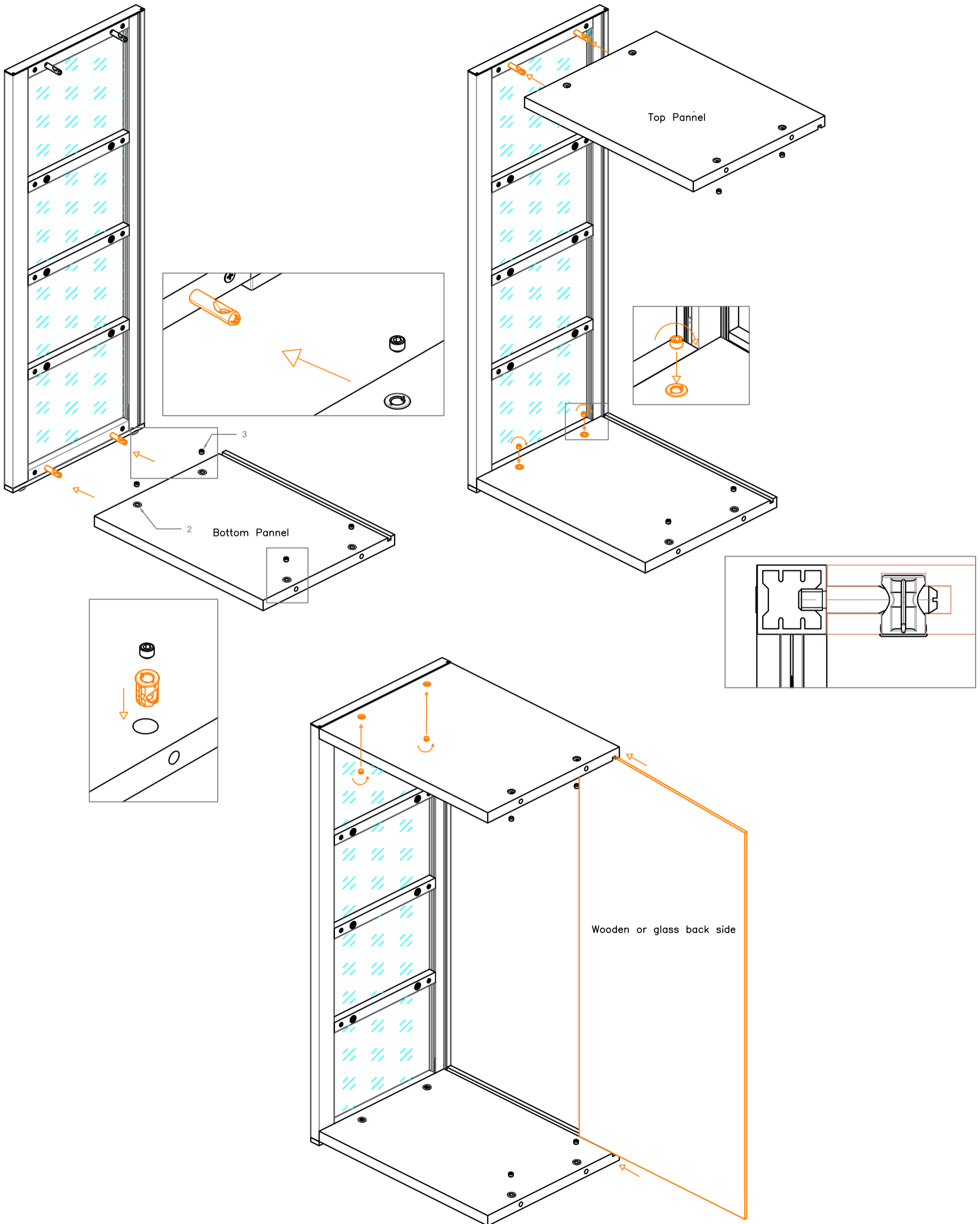


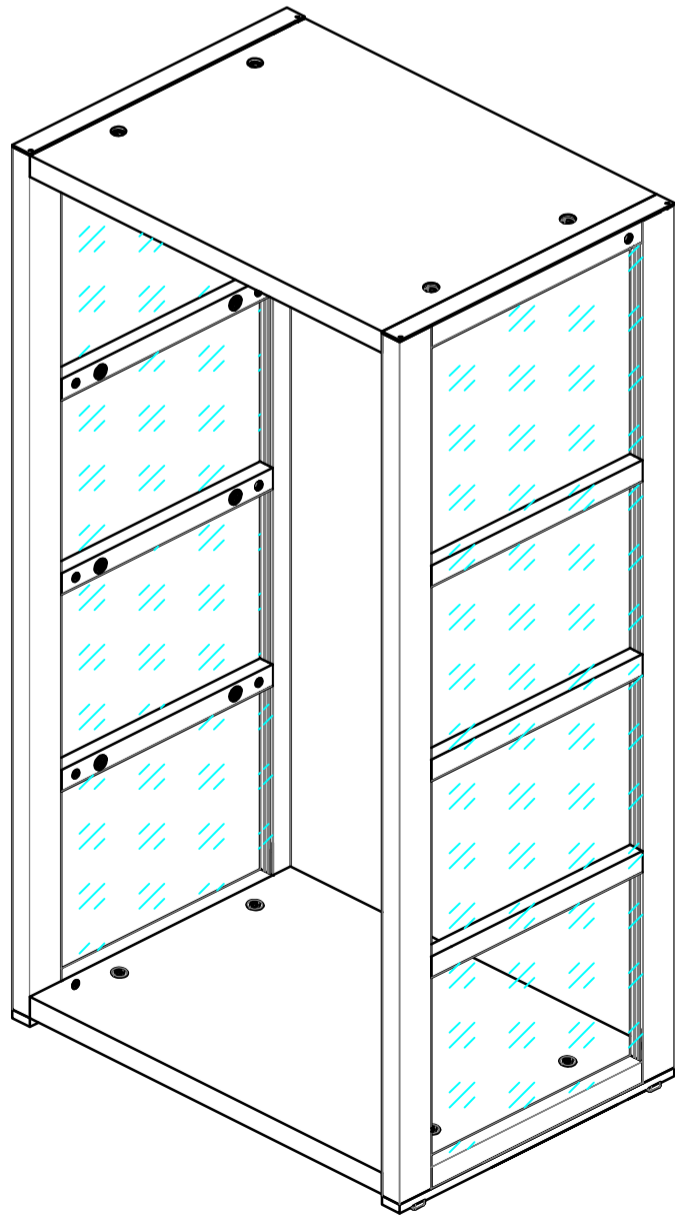
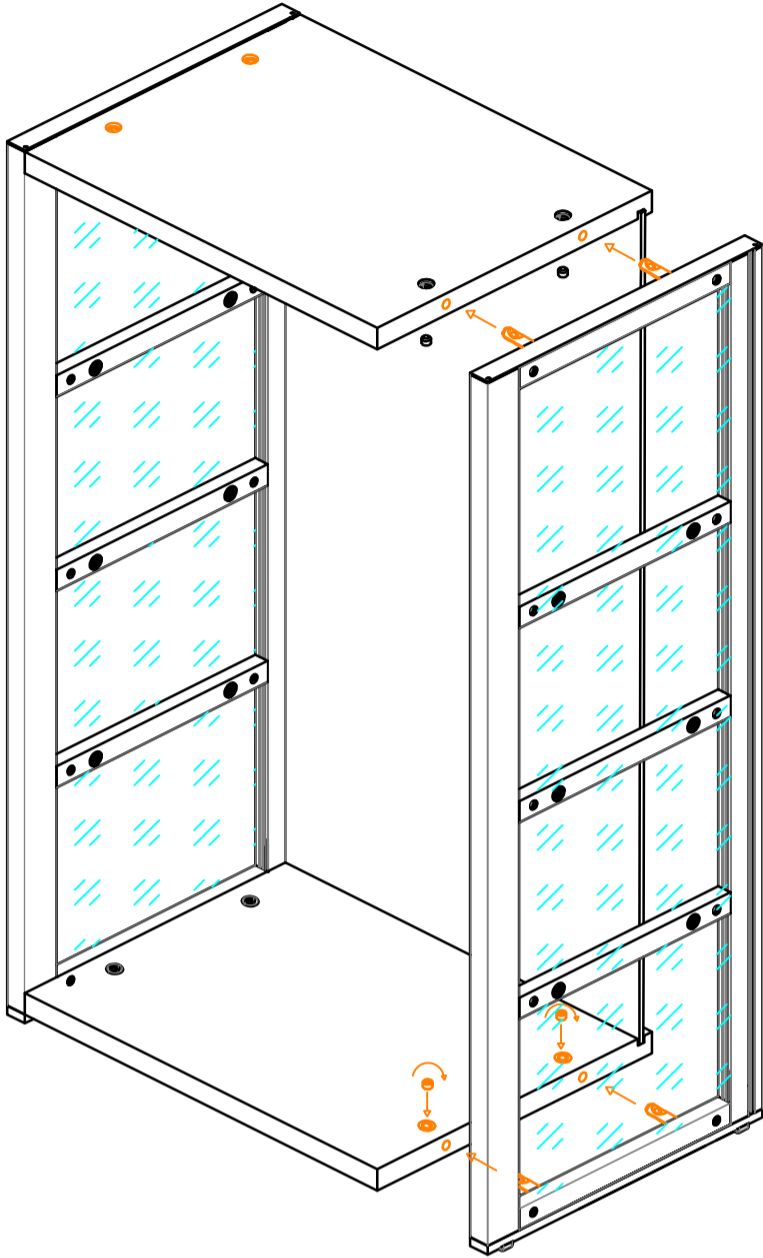




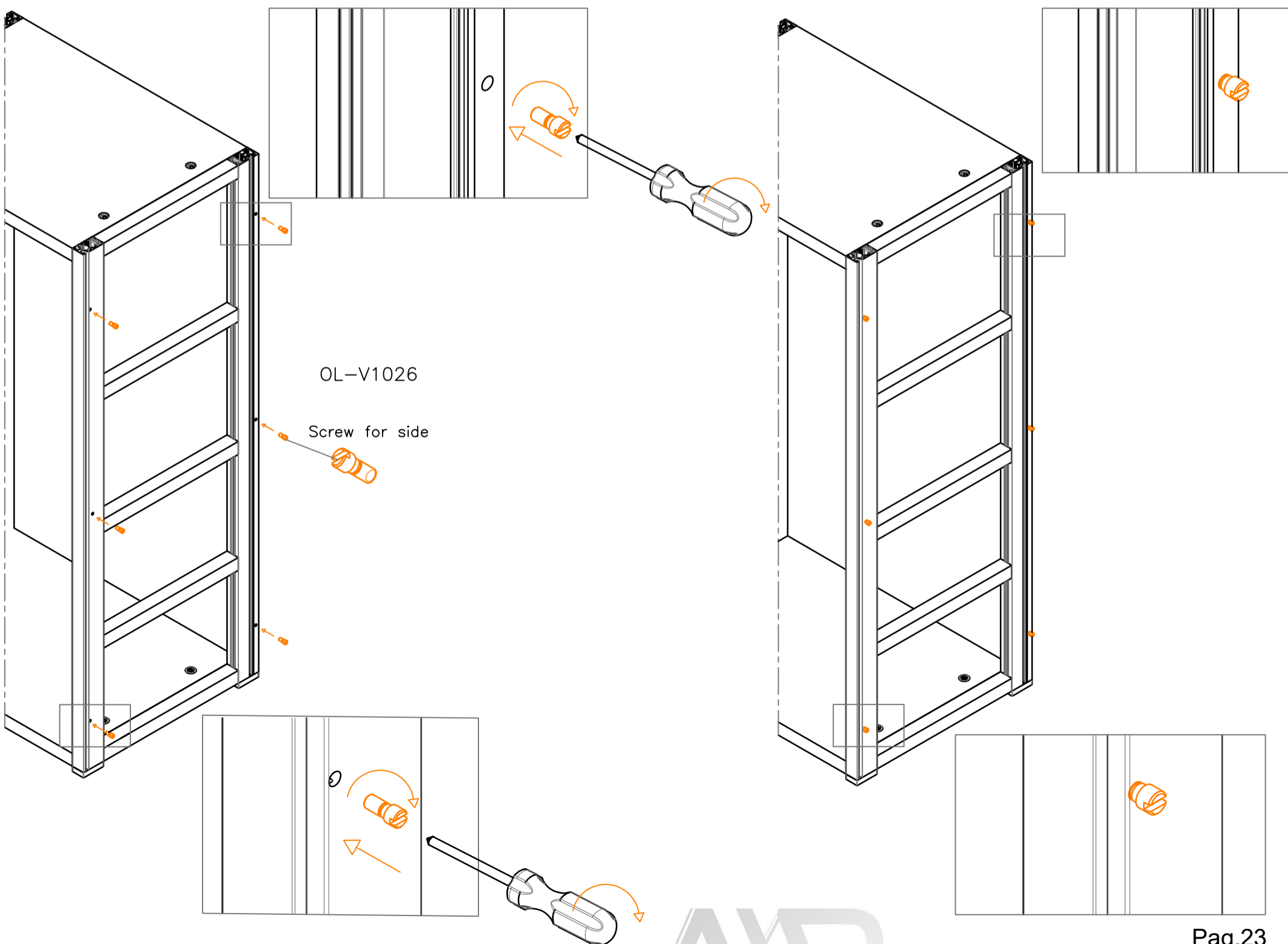
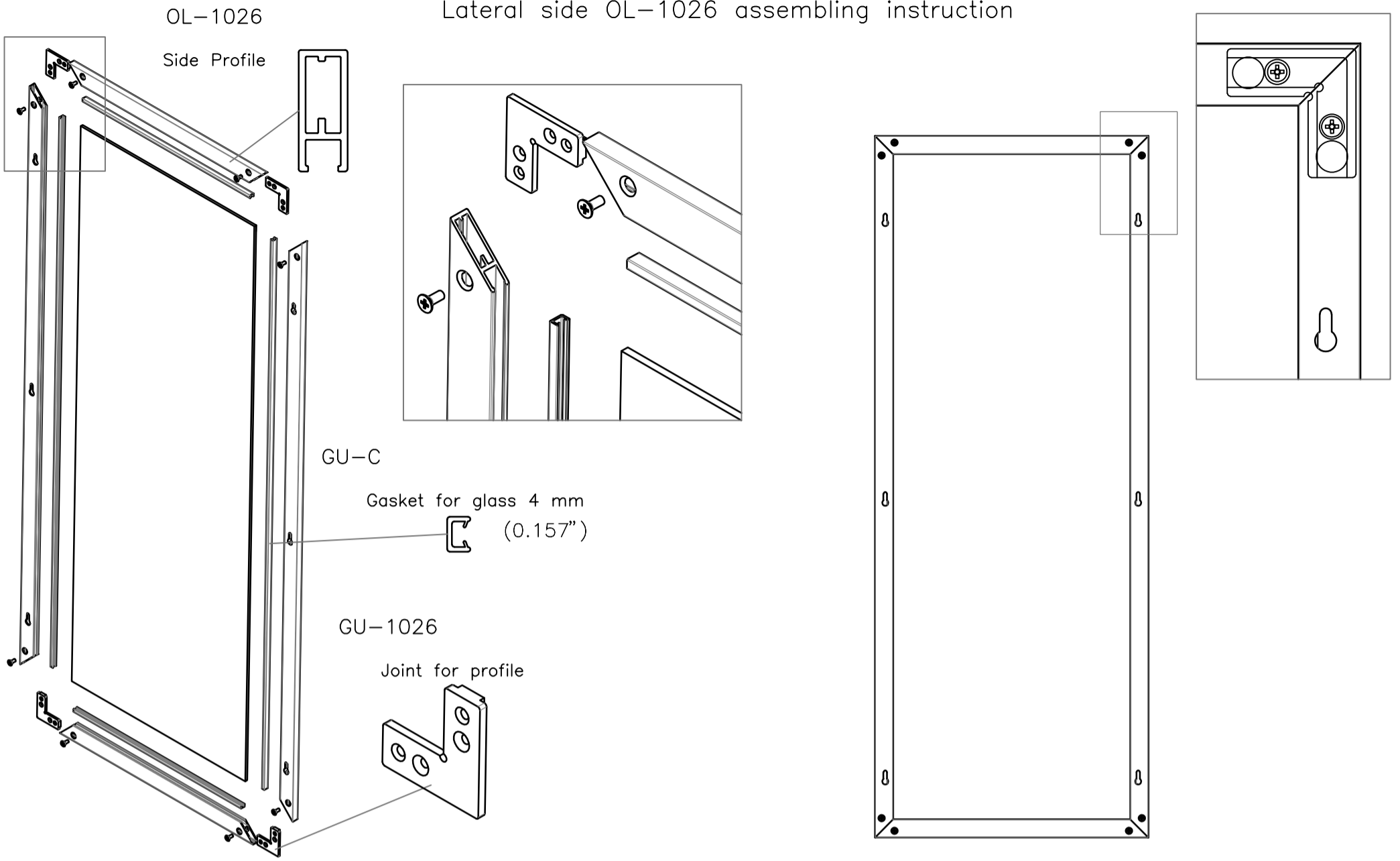
OL-GTSI-FV

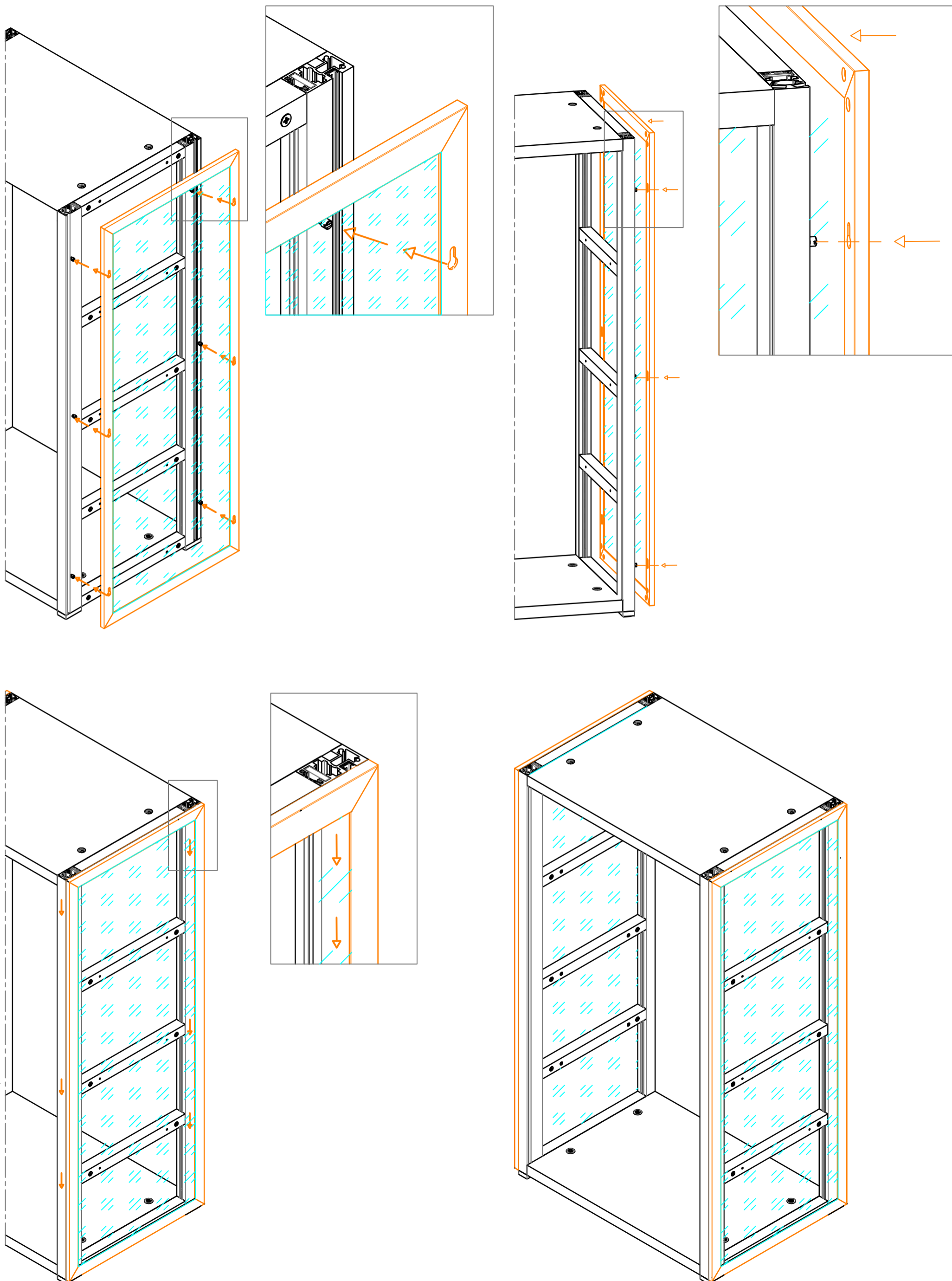




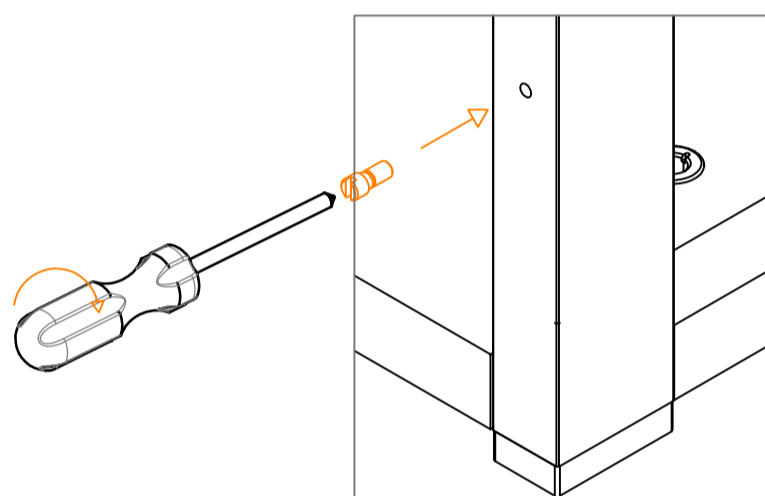
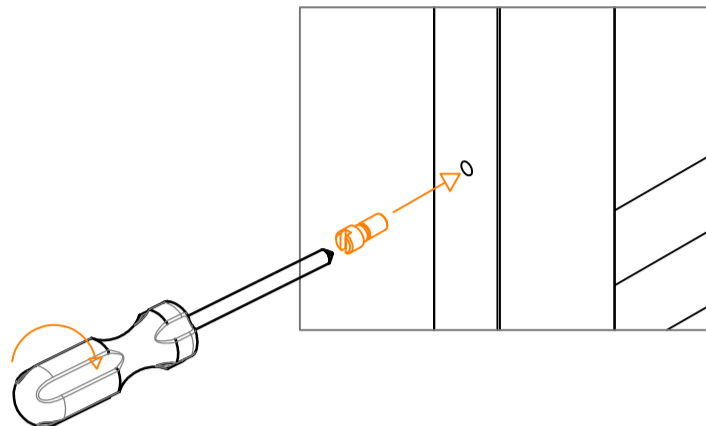
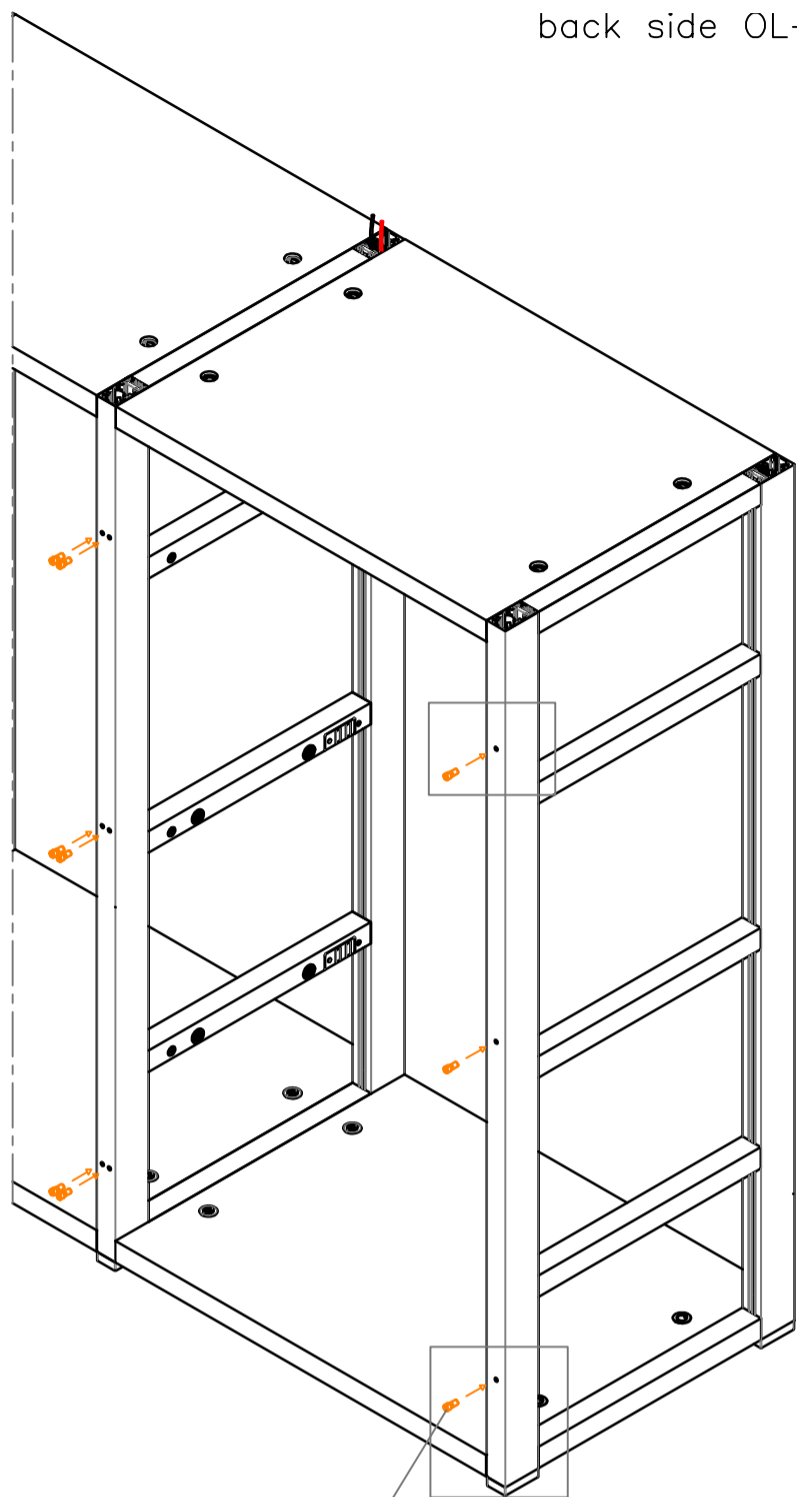


Lateral side OL-1026 assembling instruction



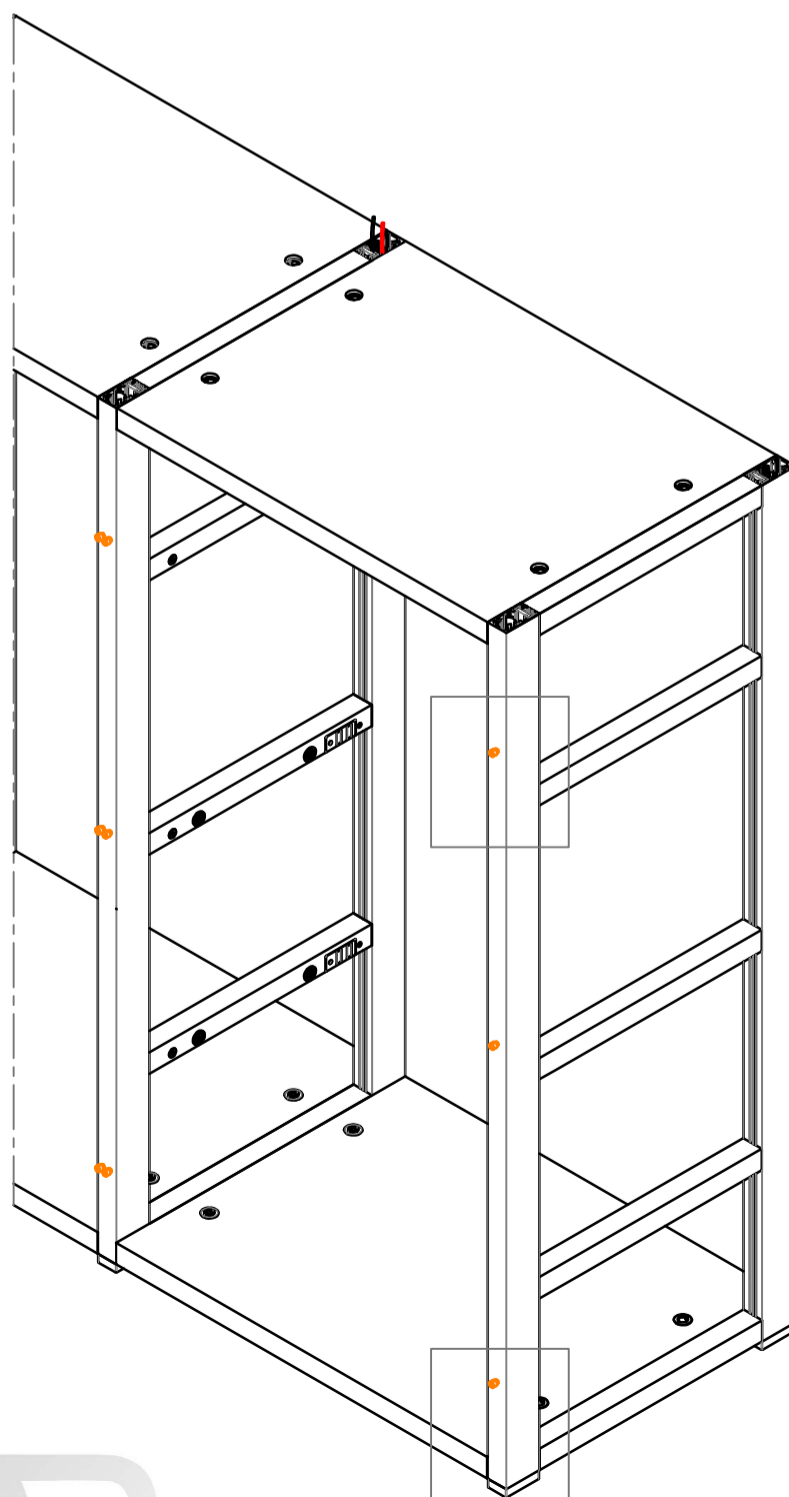
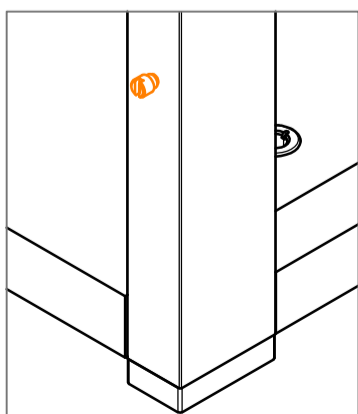
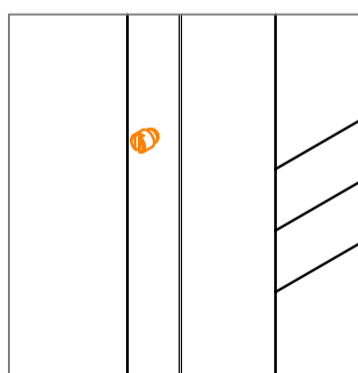


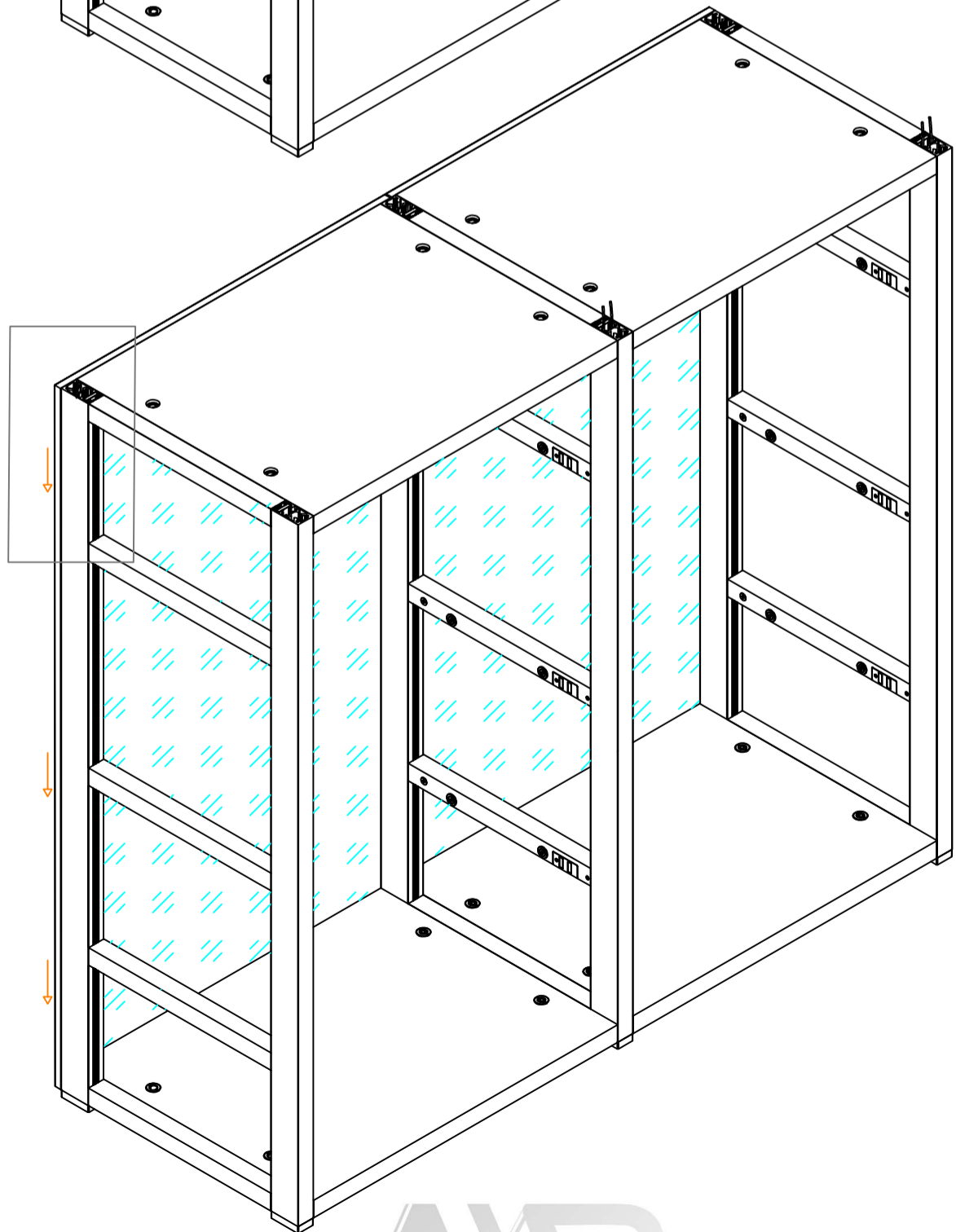
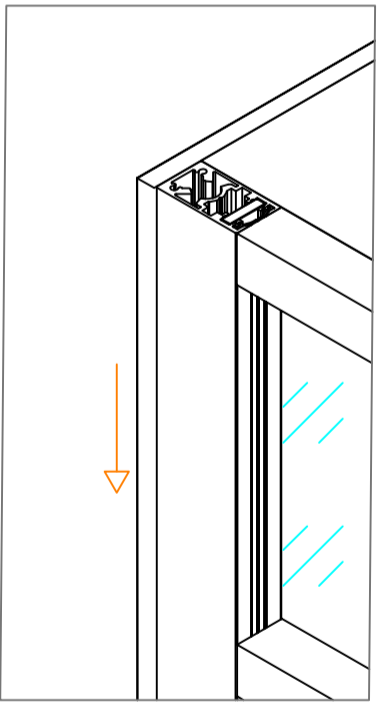
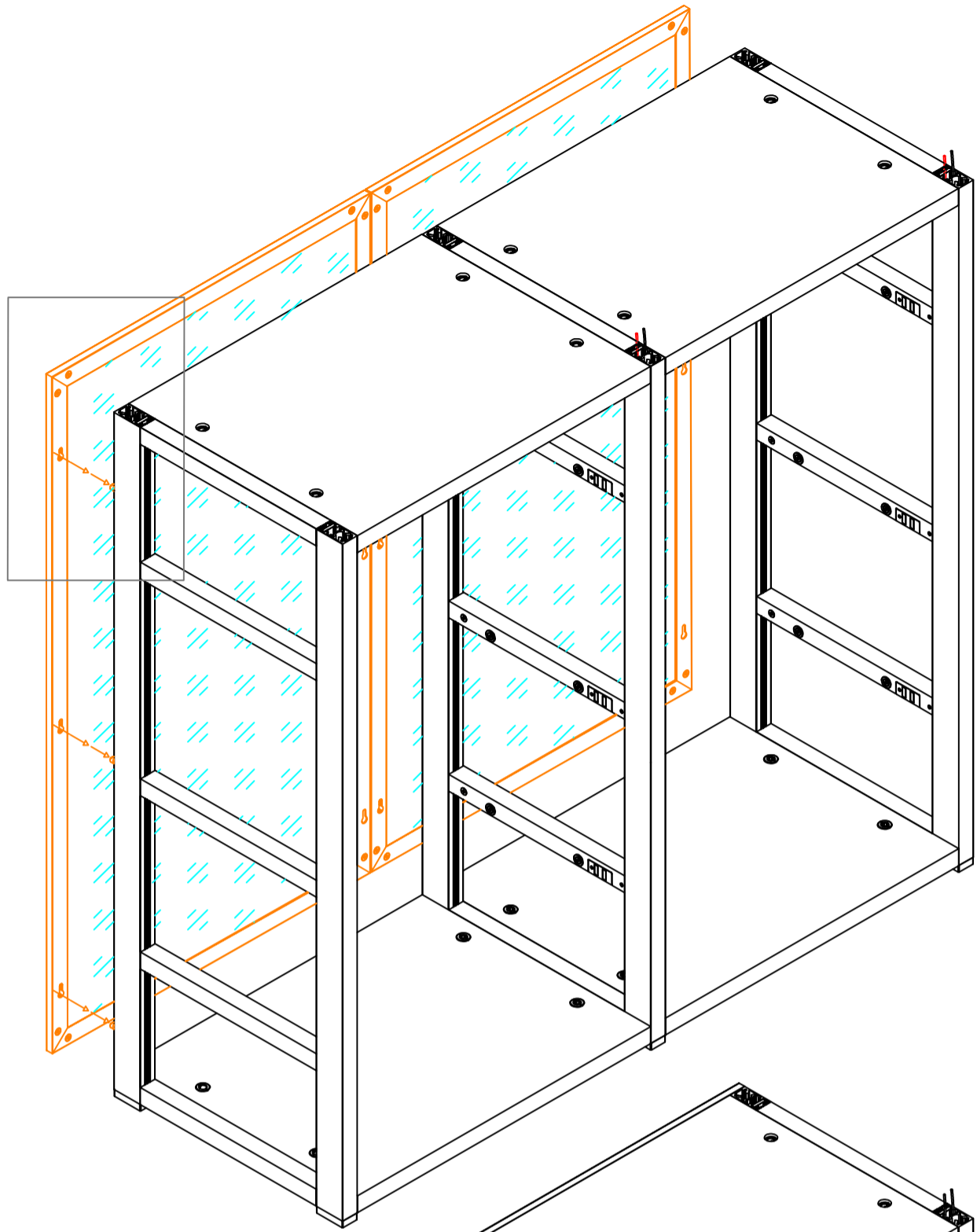
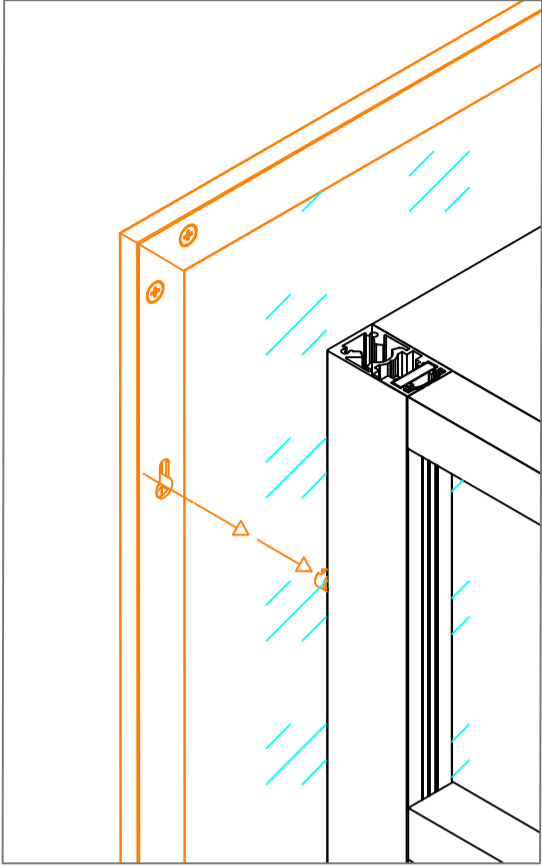
back side OL-1026 assembling instruction



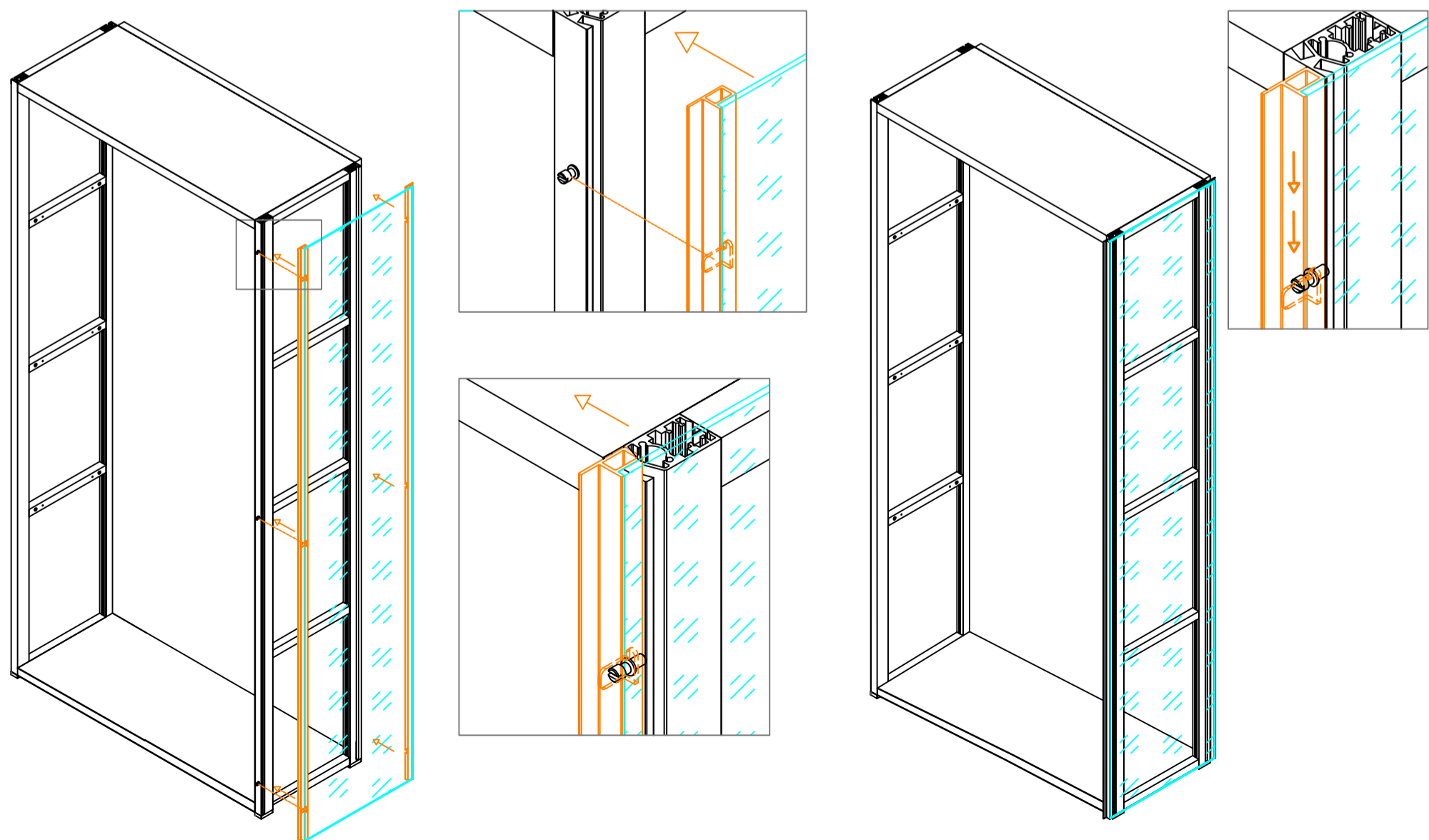
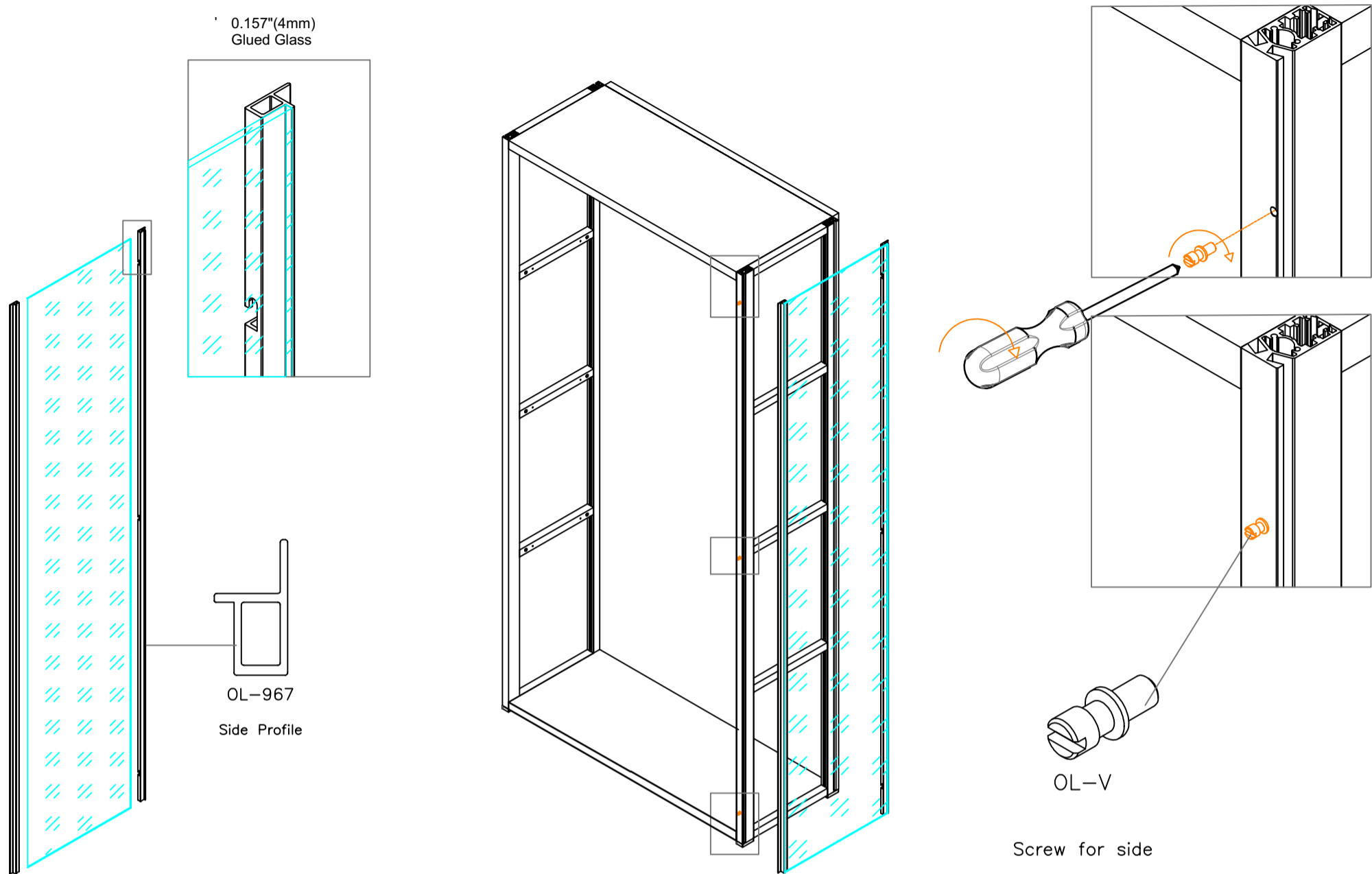
OL-V1026

Screw for side





Lateral side OL-967 assembling instruction

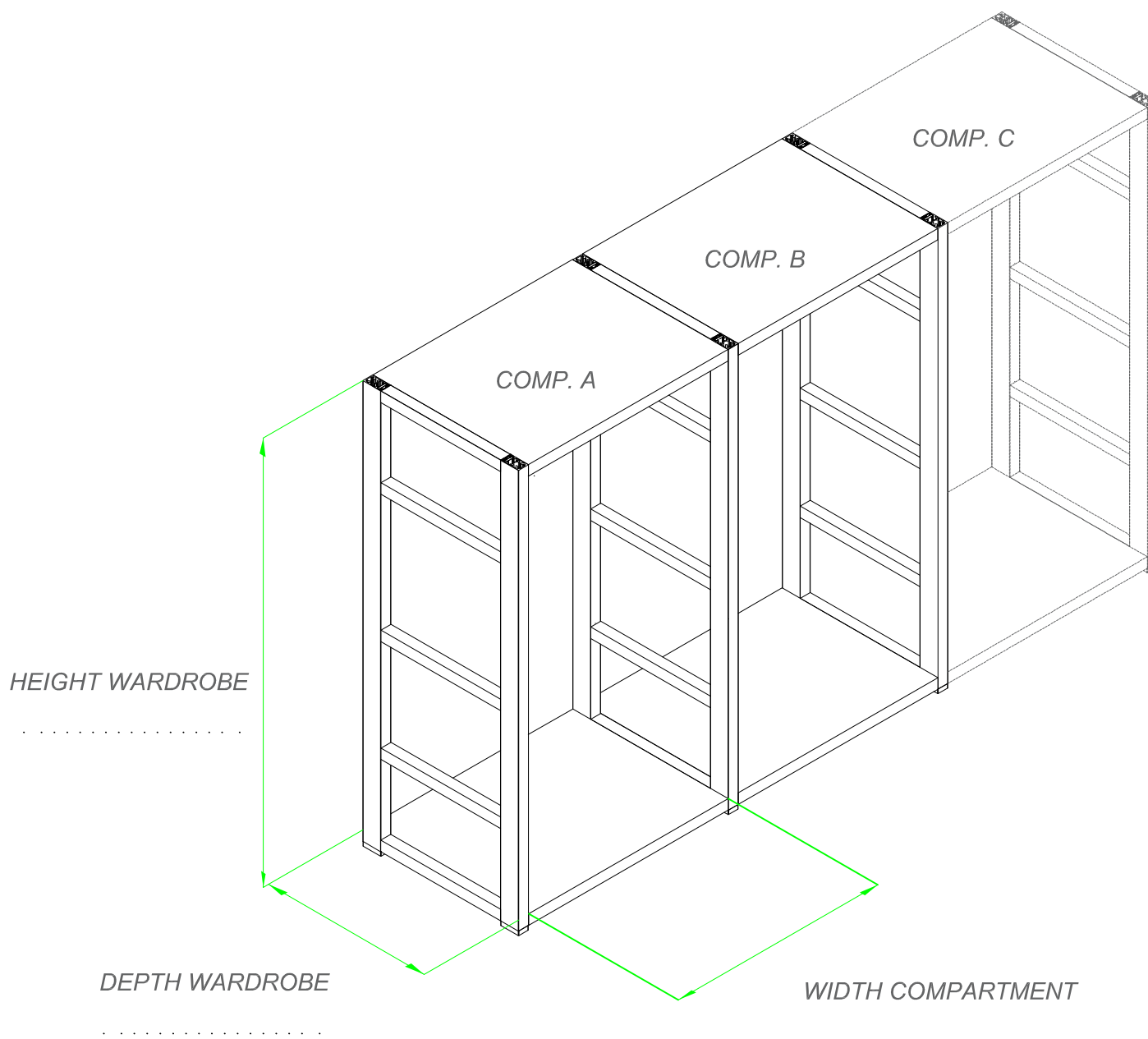


ELECTRIFICATION

- WITHOUT LIGHTS ON VERTICAL PROFILES, WITHOUT ELECTRIFICATION FOR SHELF/DRAWERS.
- WITH LIGHTS ON VERTICAL PROFILES.
- WITH ELECTRIFICATION FOR SHELF/DRAWERS.

DOORS

- IKS DOORS FOR IKS DOOR'S SPECS, PLEASE REFER TO IKS ORDER FORM.
- DESEO DOORS FOR DESEO DOOR'S SPECS, PLEASE REFER TO DESEO ORDER FORM.
- WITHOUT DOORS



FINISH =

- COMPARTMENT A
- COMPARTMENT B
- COMPARTMENT C

N°

WOODEN SHELVES

NR.

H.25

H.30

H.35

NR OF SHELF FOR COMPARTMENT

LAIT SHELVES

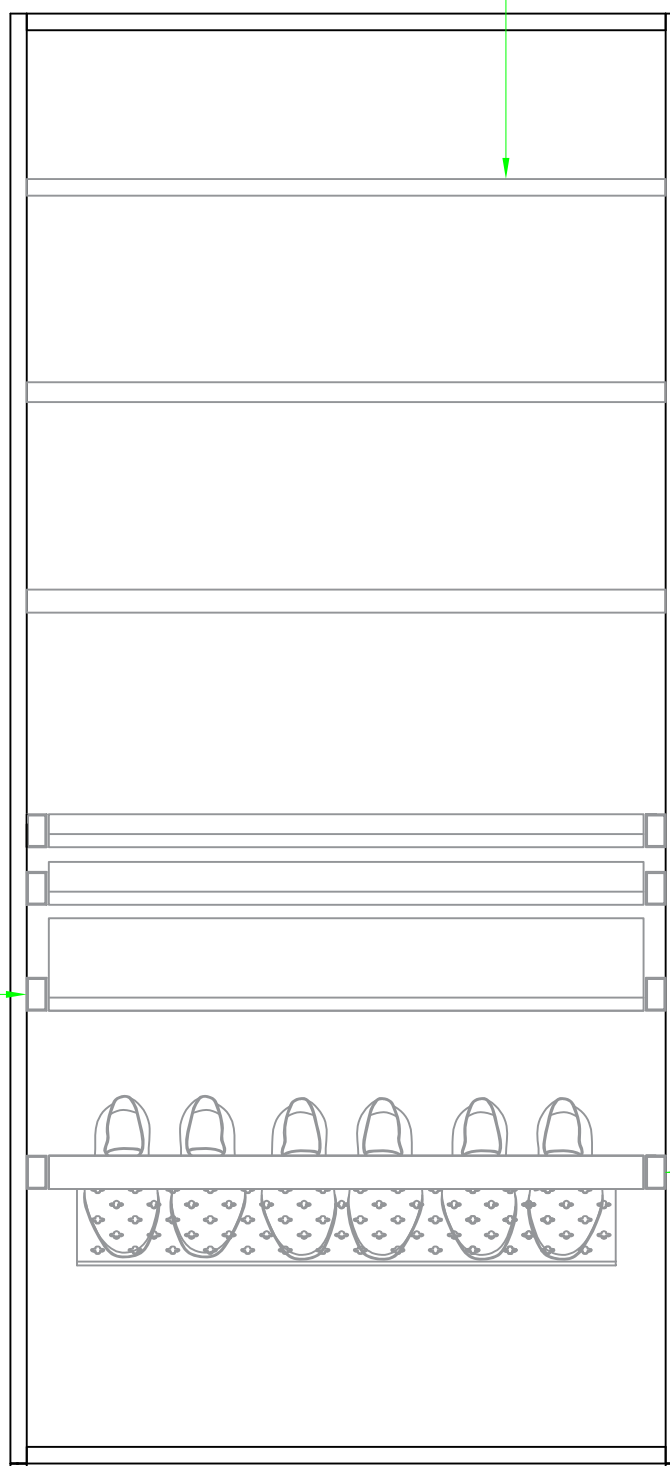
NR.

H.25

H.30

H.35

FOR LAIT SHELF SPECS, PLEASE REFER TO LAIT ORDER FORM.



N°

NR OF DRAWERS FOR COMPARTMENT

FOR DRAWER'S SPECS, PLEASE REFER TO MY BE ORDER FORM.

H.40 NR.

H.55 NR.

H.130 NR.

N°

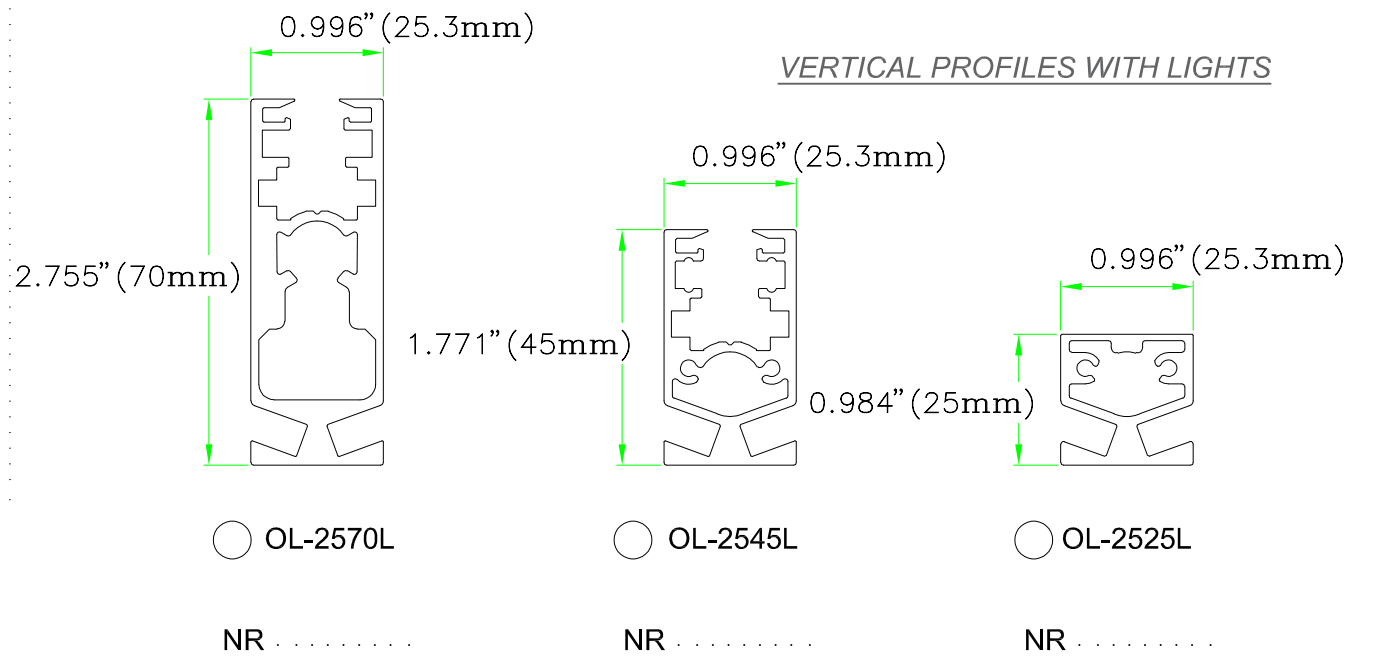
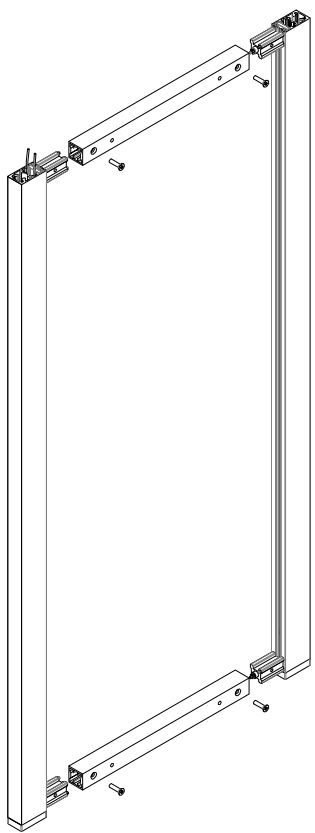
NR OF TRAY FOR COMPARTMENT

FOR TRAYS'S SPECS, PLEASE REFER TO MY BE ORDER FORM.

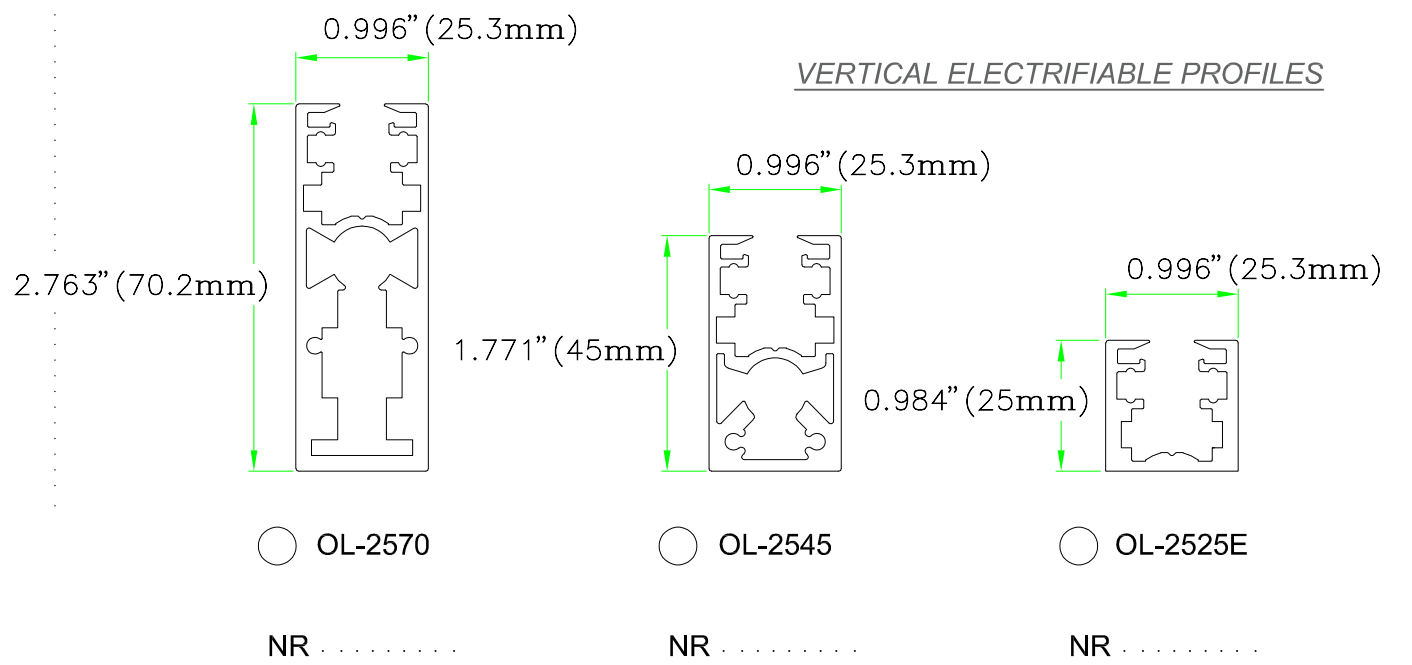
H.30 NR.

H.35 NR.

FRONT VERTICAL PROFILE

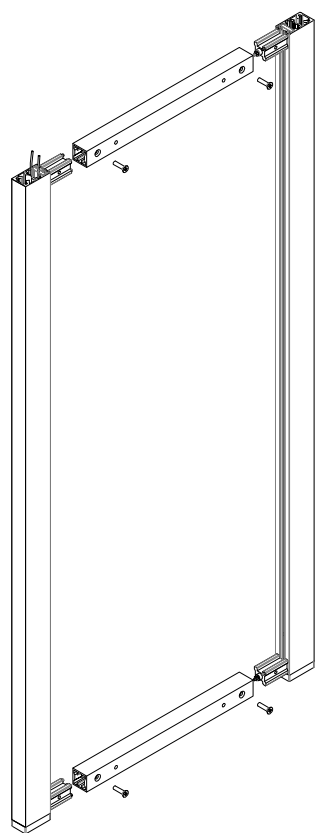


MANDATORY FOR
DESEO DOOR

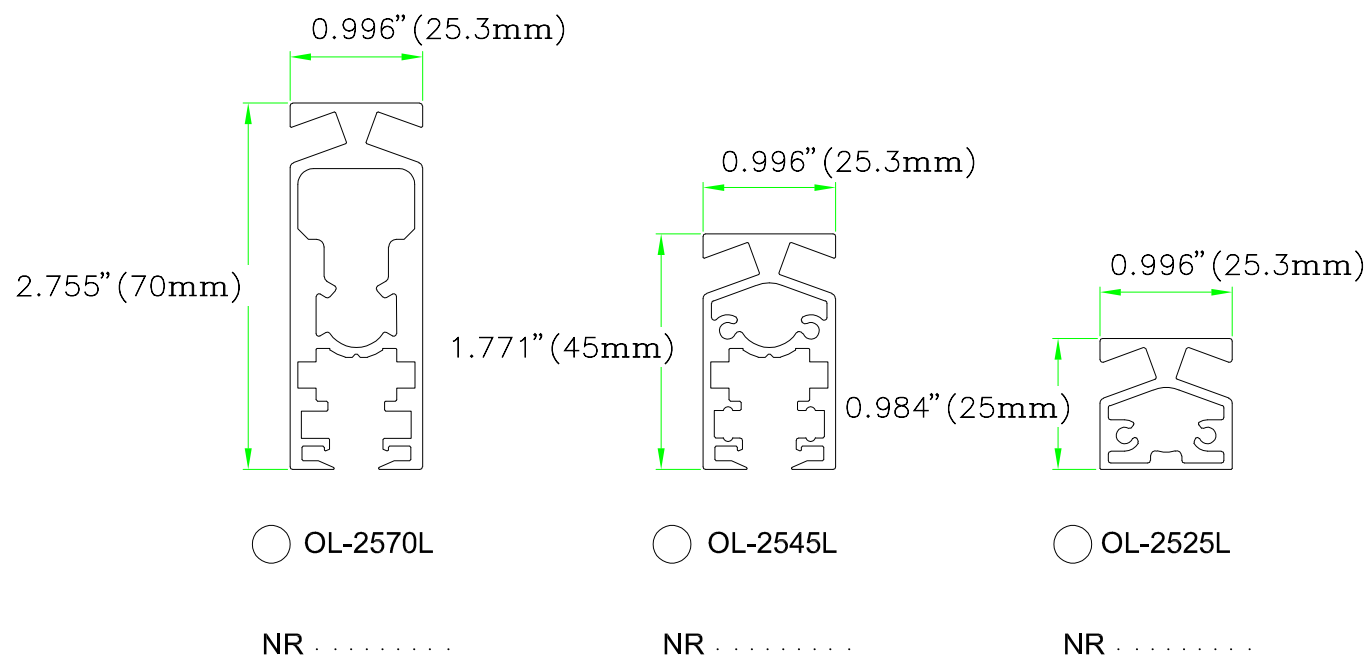


MANDATORY FOR
DESEO DOOR

BACK VERTICAL PROFILE

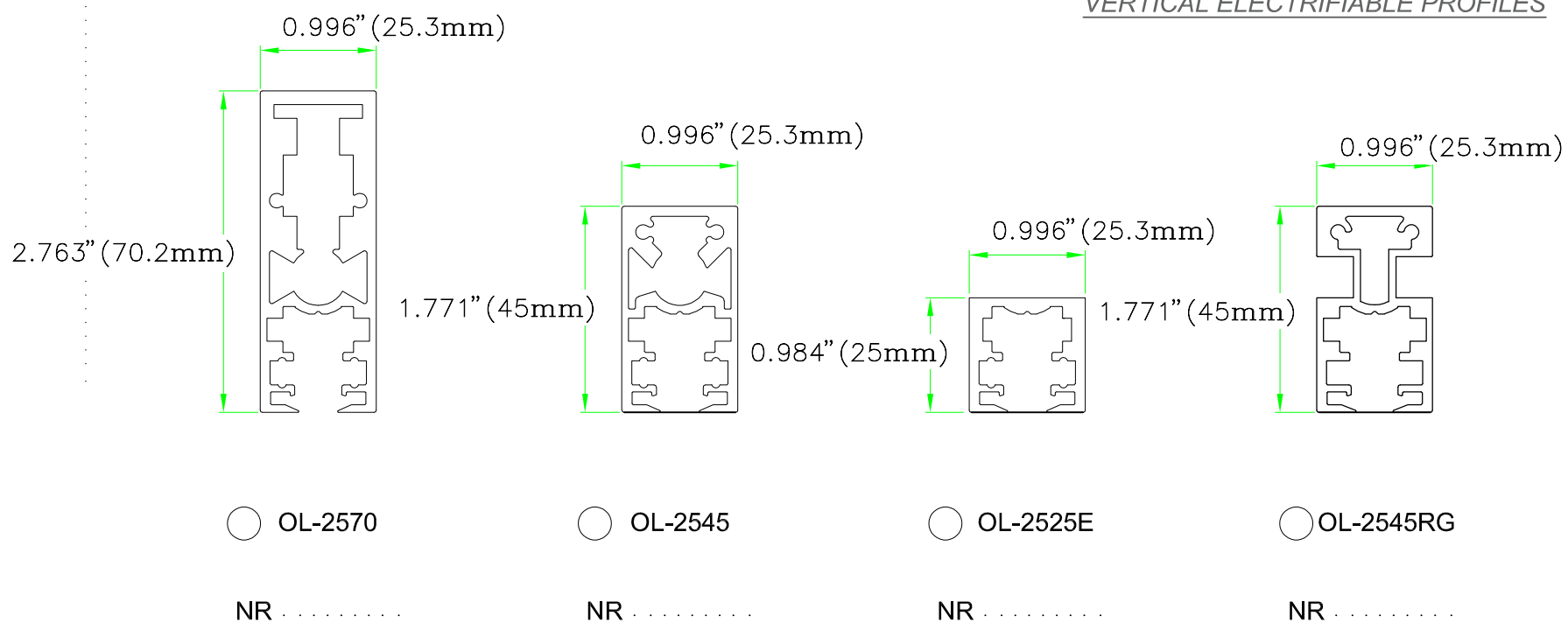


VERTICAL PROFILES WITH LIGHTS

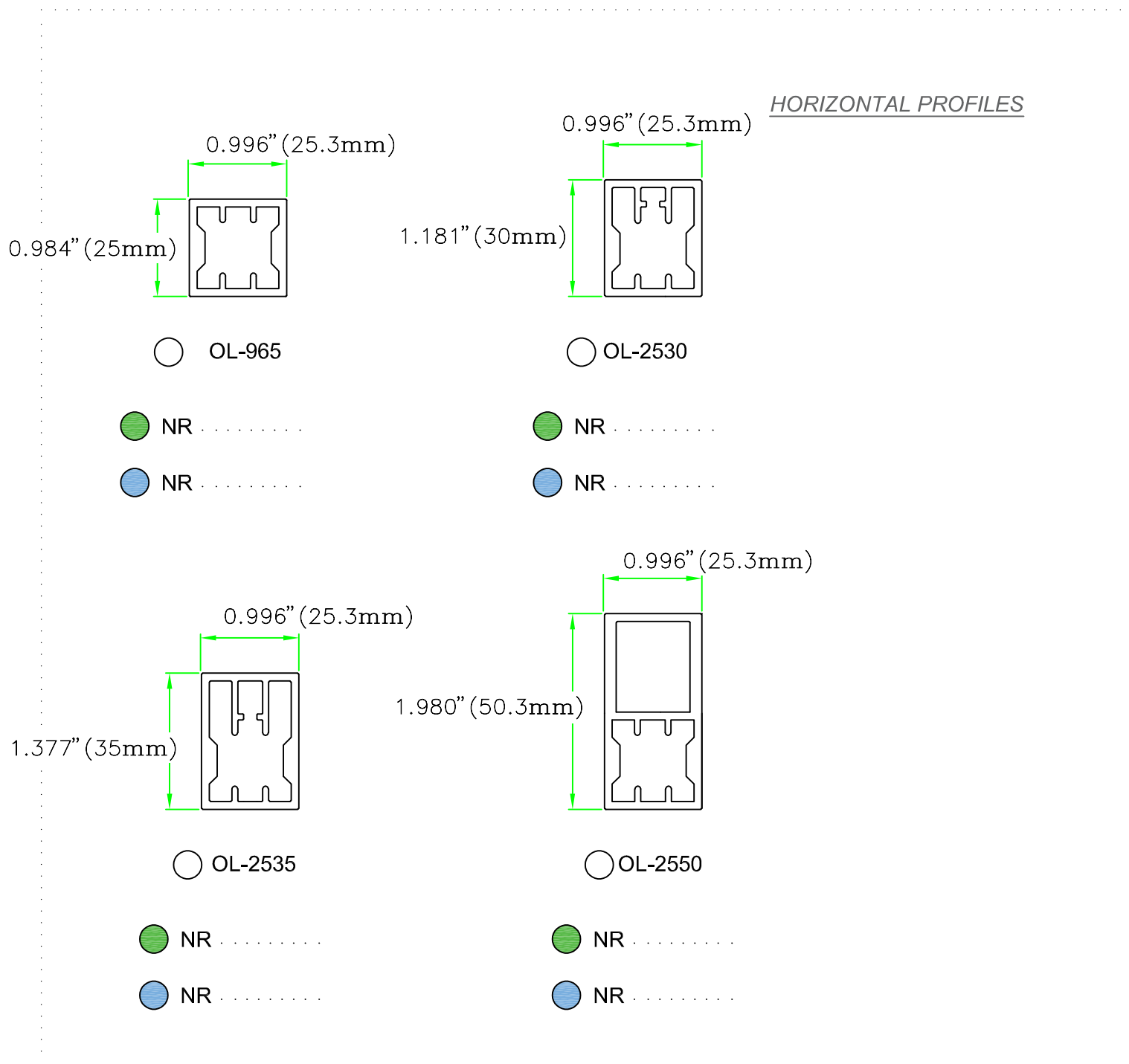
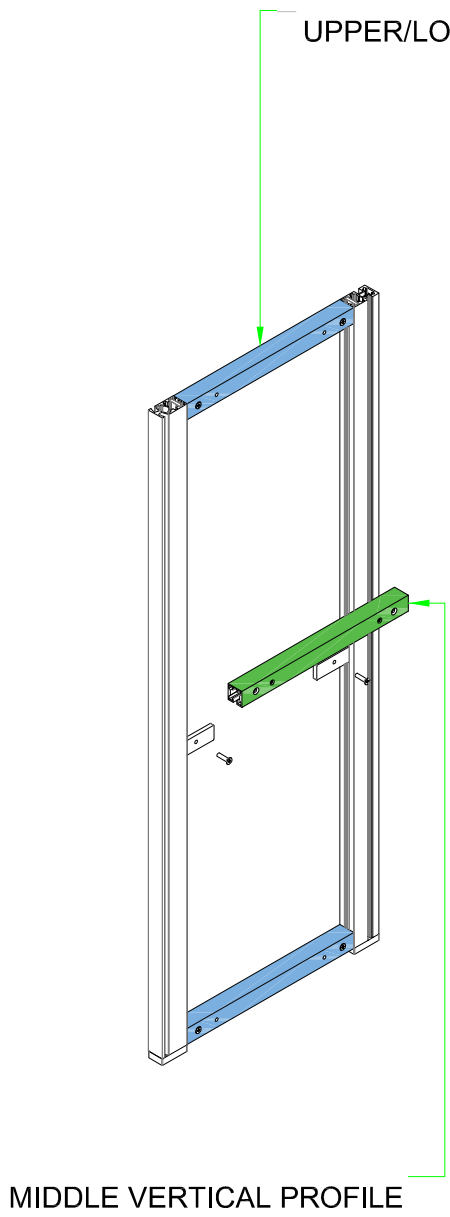


MANDATORY FOR DESEO DOOR

VERTICAL ELECTRIFIABLE PROFILES



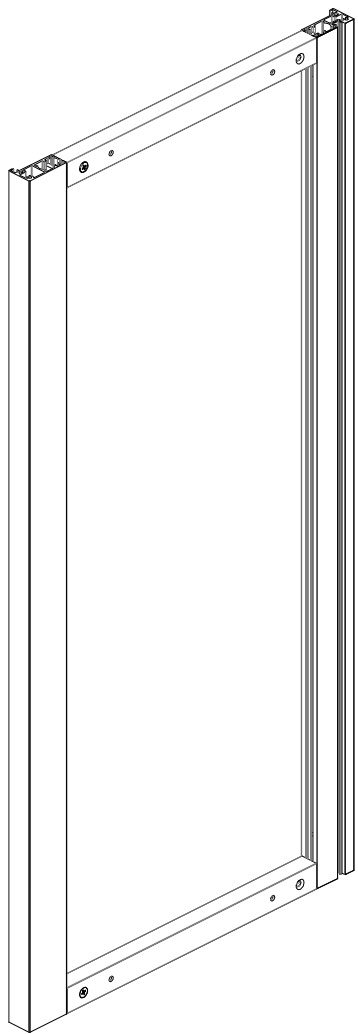
MANDATORY FOR DESEO DOOR



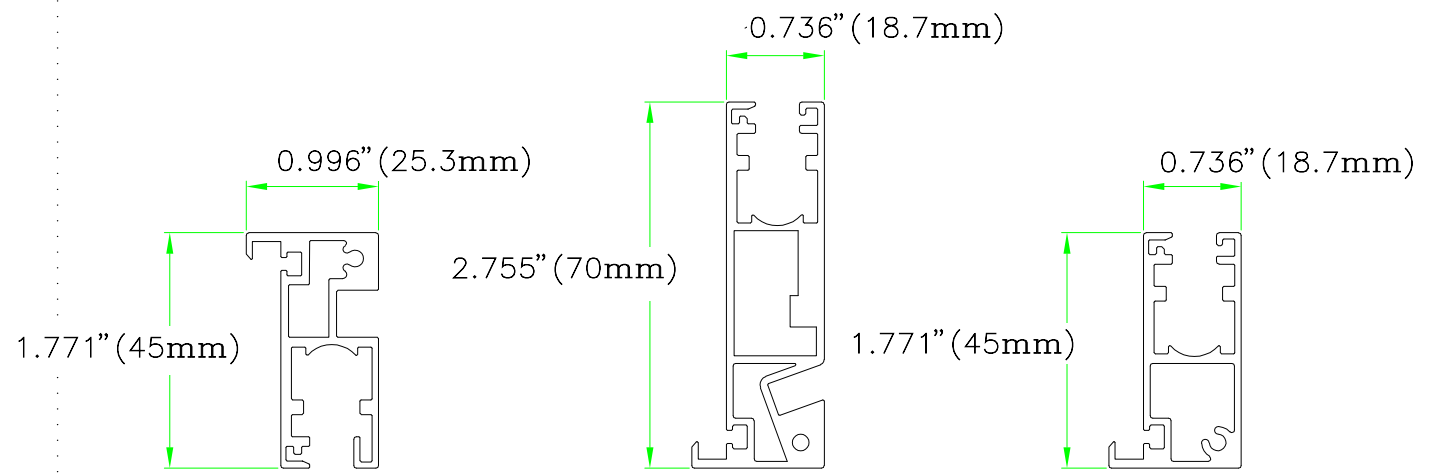
- MIDDLE VERTICAL PROFILE
- UPPER/LOWER VERTICAL PROFILE

RECOMMENDED FOR MY BE DRAWERS.

GLASS SIDE



VERTICAL FRONT PROFILES FOR GLASS
SIDE NOT ELECTRIFIED



○ OL-2545P

NR

BACK PROFILE WITH
SLOT FOR THE BACK
PANEL OF THE
WARDROBE

IT IS POSSIBLE TO USE IT
WITH OL-2545RG

○ OL-2570FL

NR

FRONT PROFILE WITH
LIGHT

BACK PROFILE WITH
LIGHT

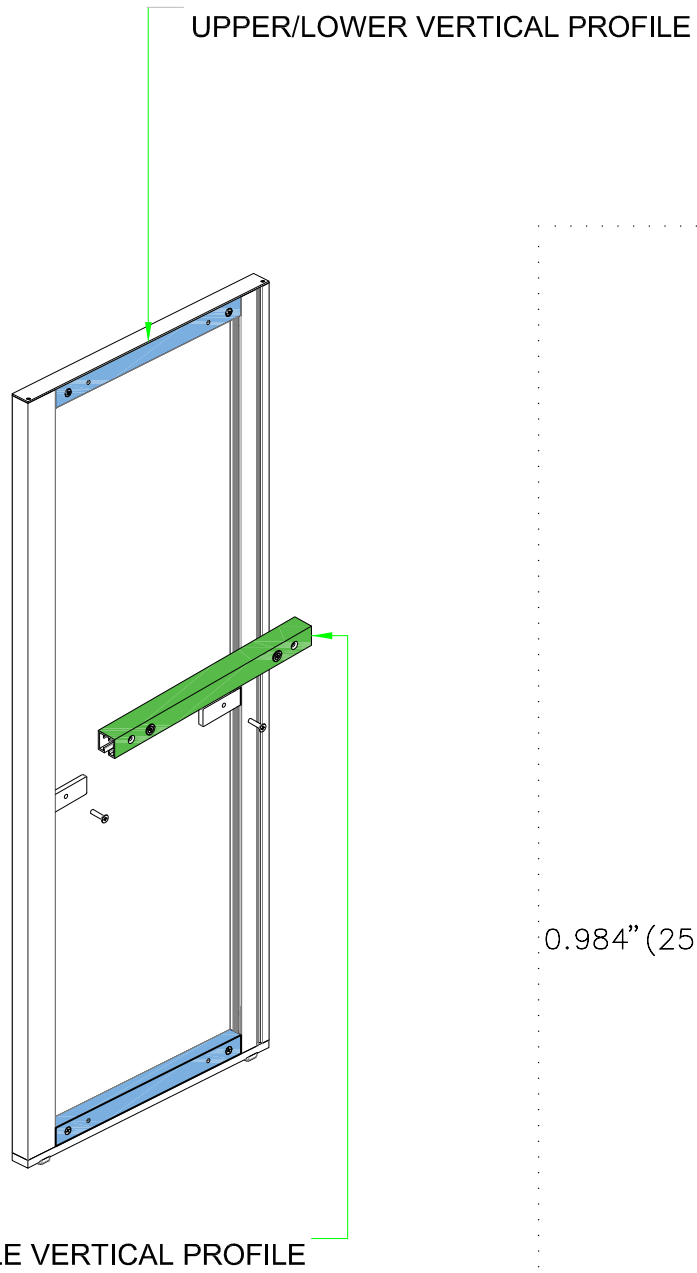
○ SG-2545A

NR

FRONT PROFILE

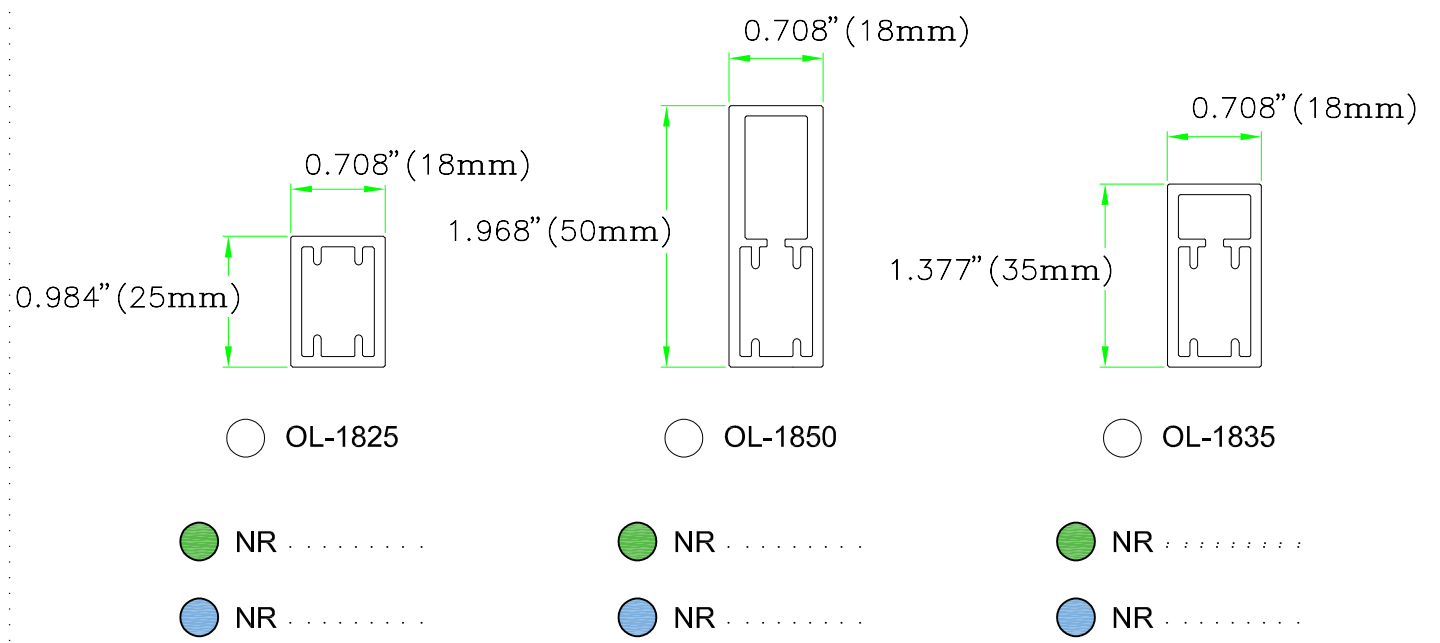
BACK PROFILE WITHOUT
WARDROBE BACK

GLASS SIDE



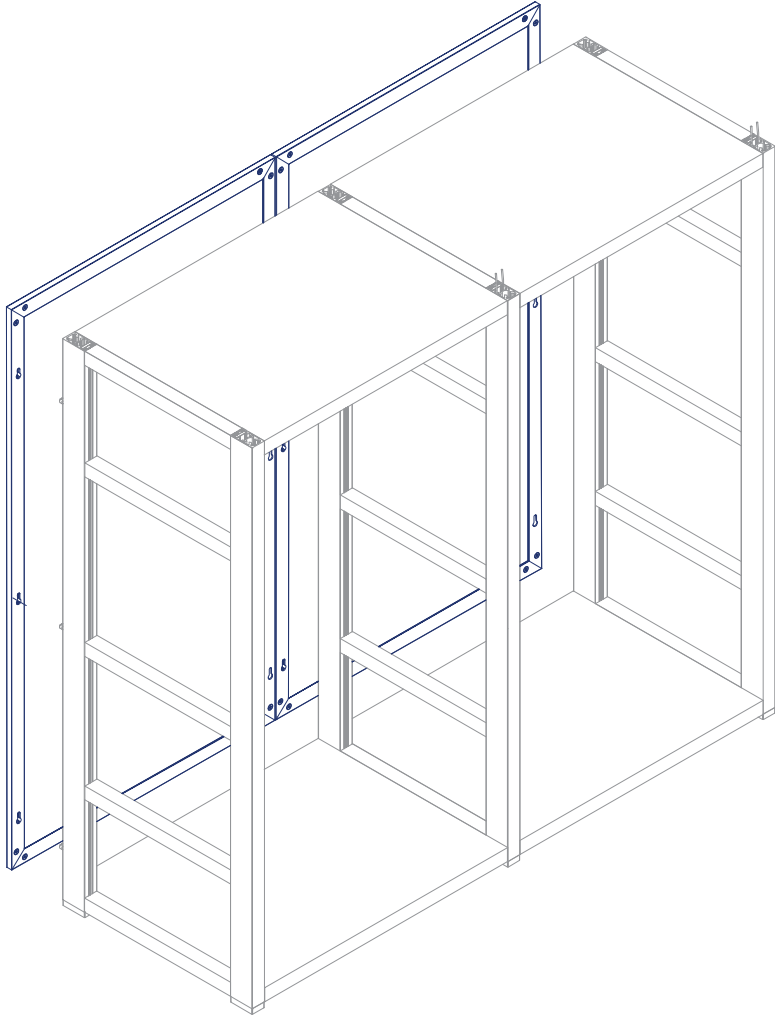
-  MIDDLE VERTICAL PROFILE
-  UPPER/LOWER VERTICAL PROFILE

HORIZONTAL PROFILES FOR GLASS SIDE

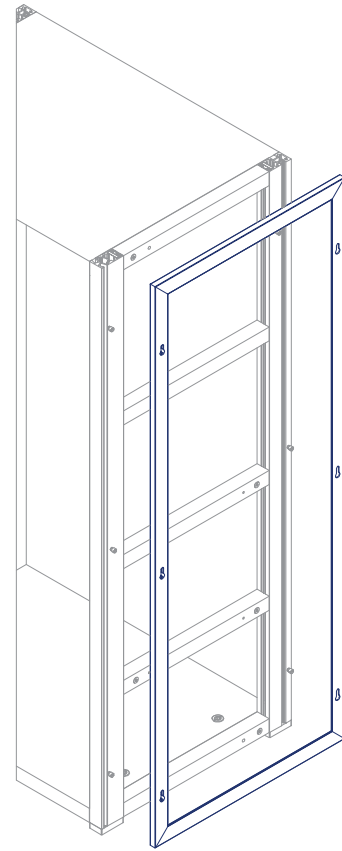


RECOMMENDED FOR
MY BE DRAWERS.

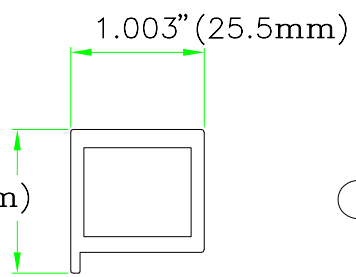
BACK AND LATERAL SIDE



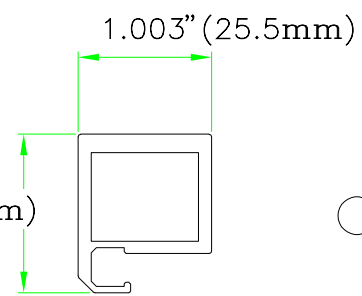
○ BACK SIDE



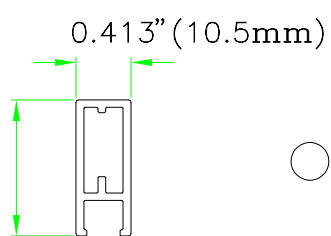
○ GLASS SIDE



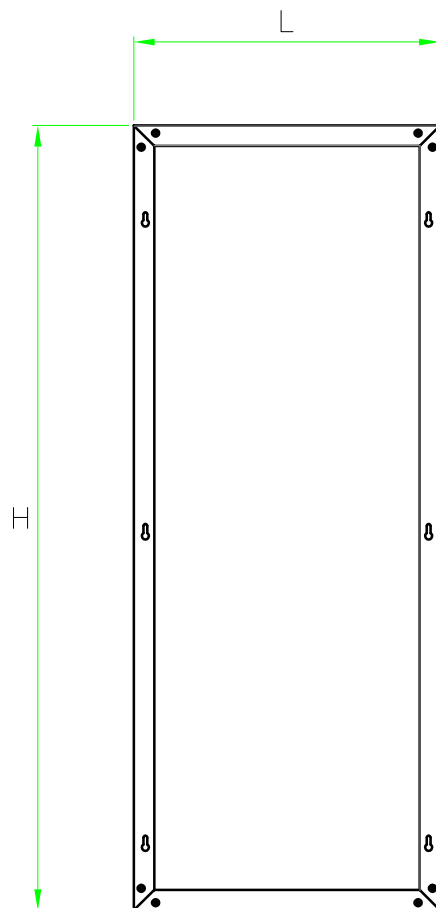
○ IS-954



○ IS-955

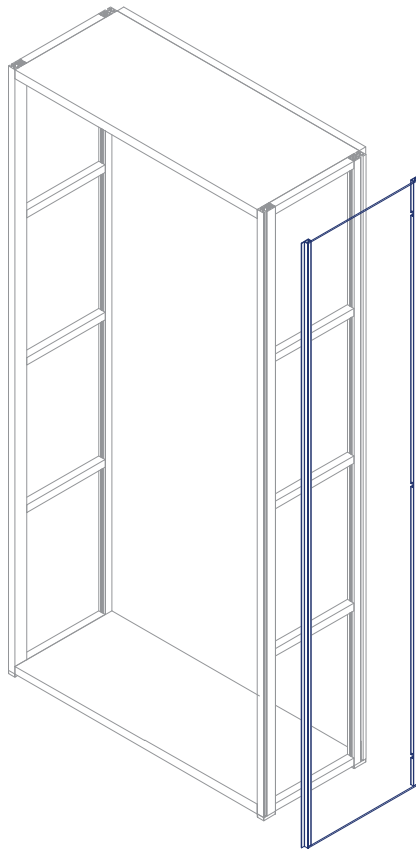


○ OL-1026

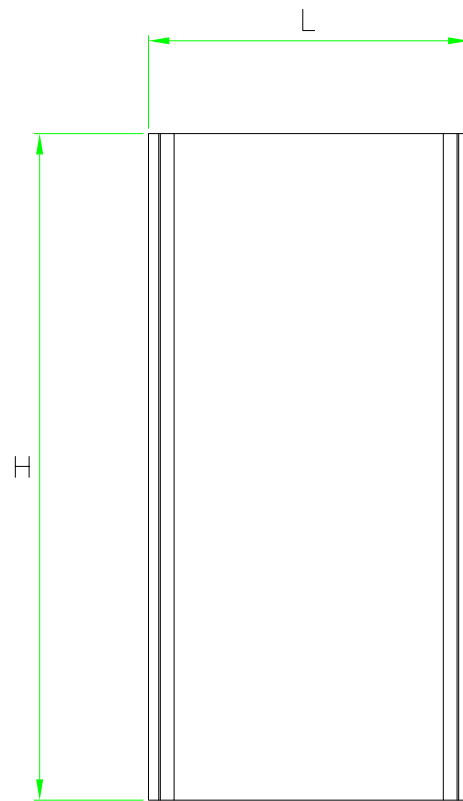
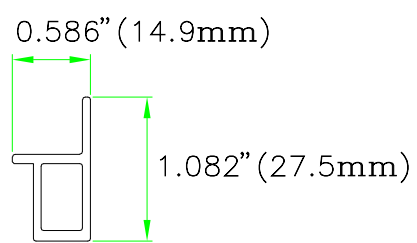


NR

SIDE PROFILE OL-967



GLASS SIDE OL-967



NR