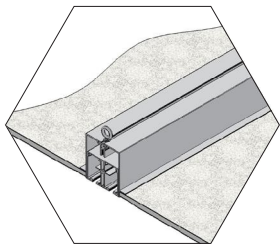


Sestante
Page 190



Binario Multiplo
Page 212



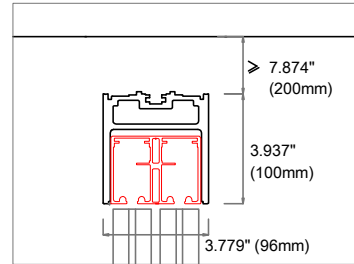
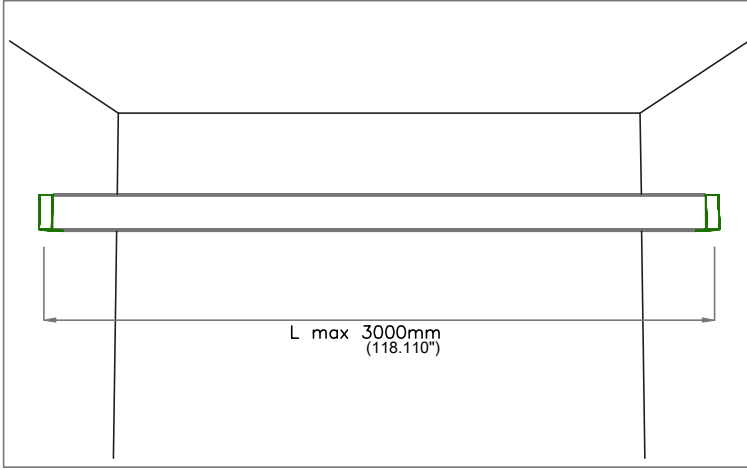
Hidden Sestante
Page 218

Sestante Sliding system with 2 ways beam

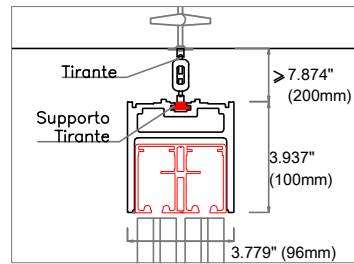
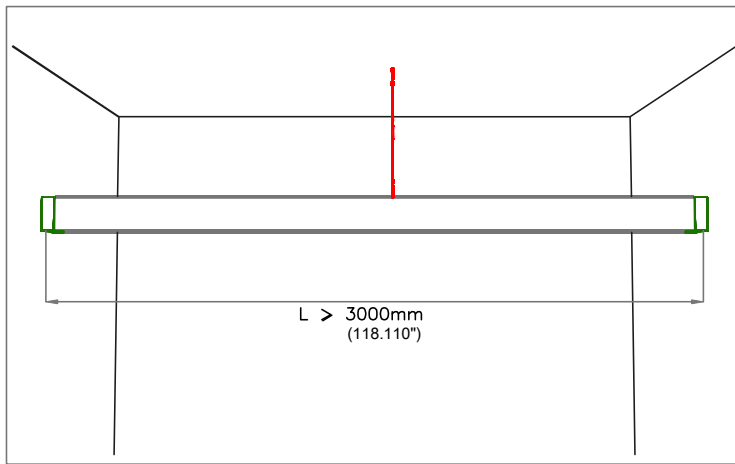


SESTANTE*. The System with aluminium beam that solves the problem to close a niche or to divide a space creating separated areas but maintaining continuity of space. This System with beam allows to divide also with very high ceilings since the beam can be fixed directly to the walls, thanks to telescopic supports. With the System Sestante you can standardize the doors in height.

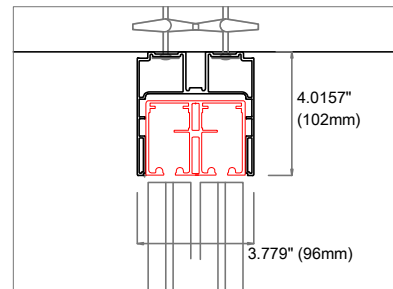
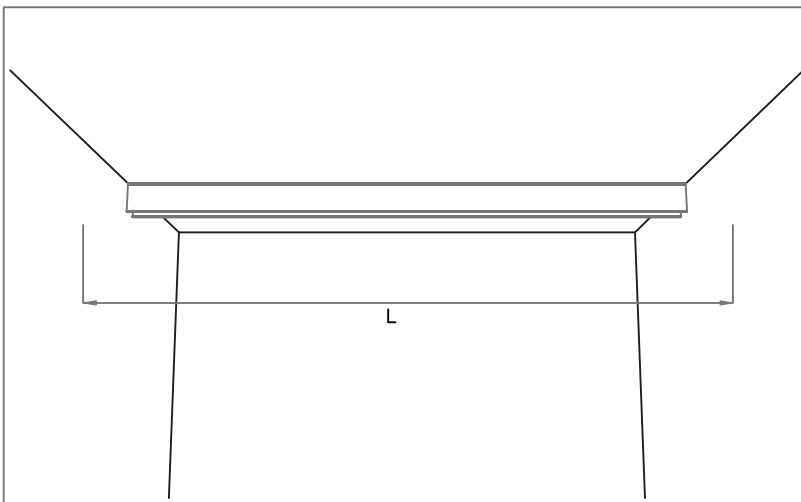
*Sestante is a patented System.



Hanging beam for cabinet till 3 metres (118.110")
Beam with supports

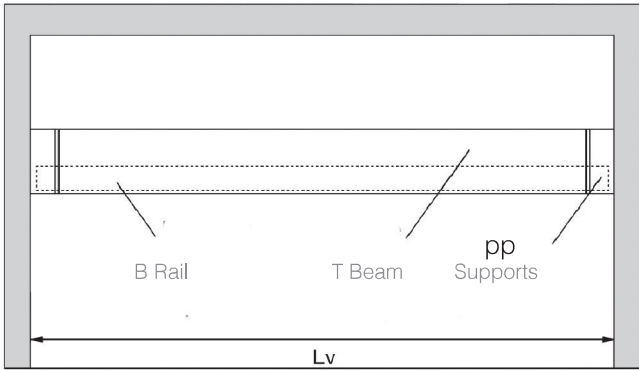


Hanging beam for cabinet superior 3 metres (118.110")
Beam with supports for tie-rod.



Beam to ceiling.
Beam without supports fixed directly to the ceiling.

2 ways hanging beam

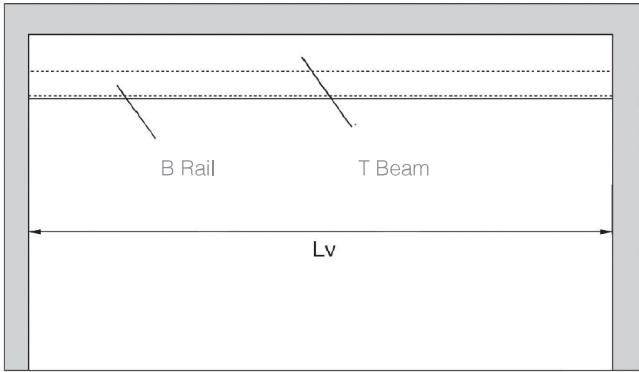


T=Lv-3.543" (90mm)
B=Lv-0.708" (18mm)

Allowances:Lv+0.393"(10mm)



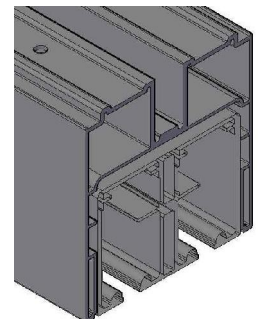
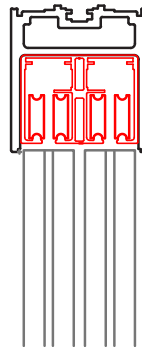
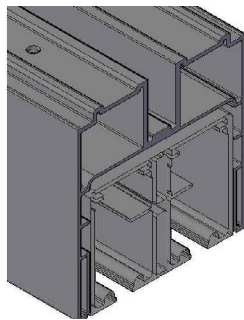
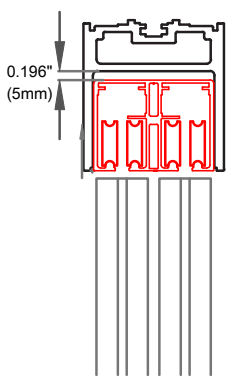
Beam to the ceiling



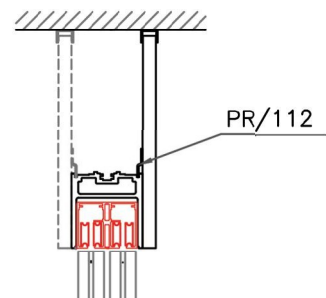
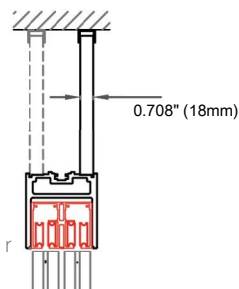
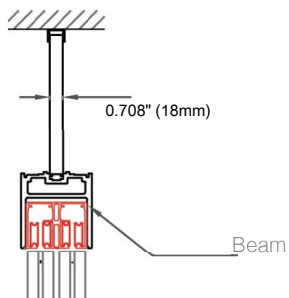
T=Lv-0.196" (5mm)
B=Lv-0.196" (5mm)

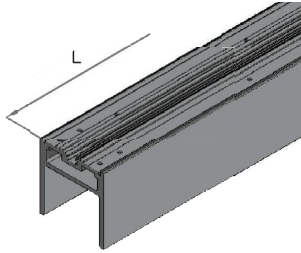
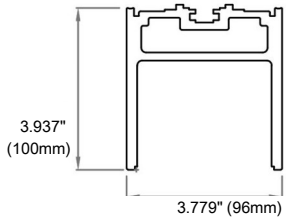


Beam to the ceiling

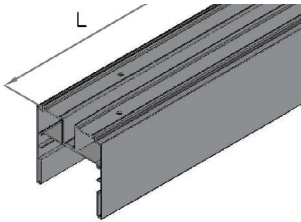
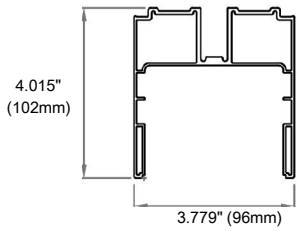


Closing of upper space

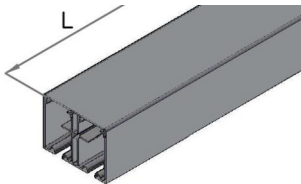
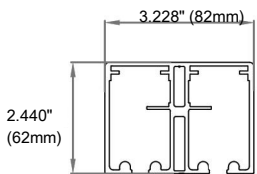




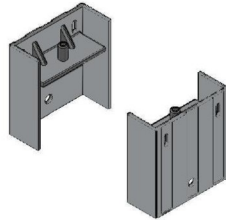
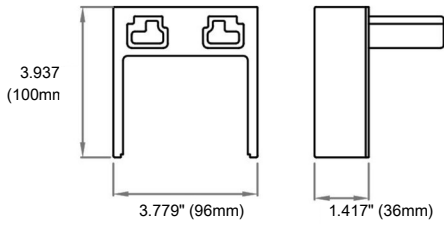
SE-500 2 ways hanging beam, L= on request



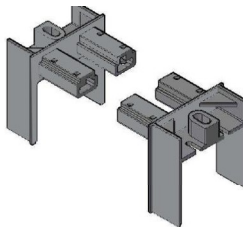
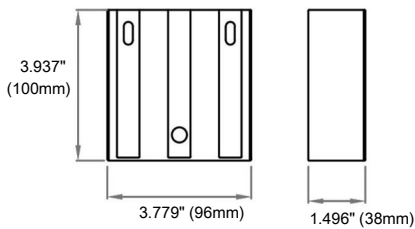
SE-510 2 ways beam to the ceiling, L=width on request



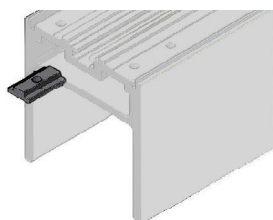
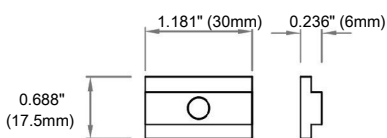
SE-530N 2 Ways rail, L= width on request



Couple of wall supports for 2 ways beam.
Material:zama painted aluminium

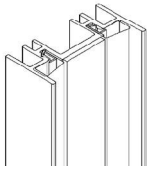


Couple of supports wall beam.
Material:zama painted aluminium

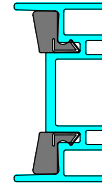
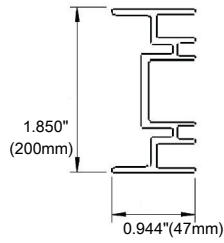


Support for tie-rod to put anywhere on the beam

Sestante Stile

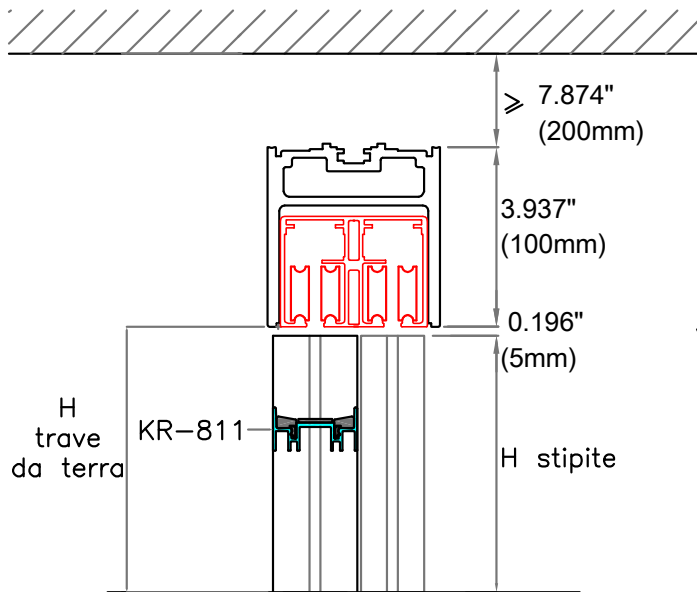


KR-811 Stileprofile

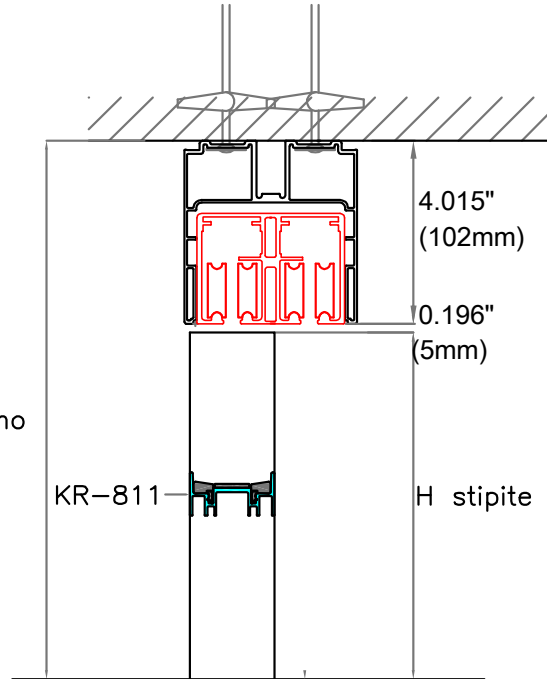


Sestante fixed to the ceiling

Sestante suspended version

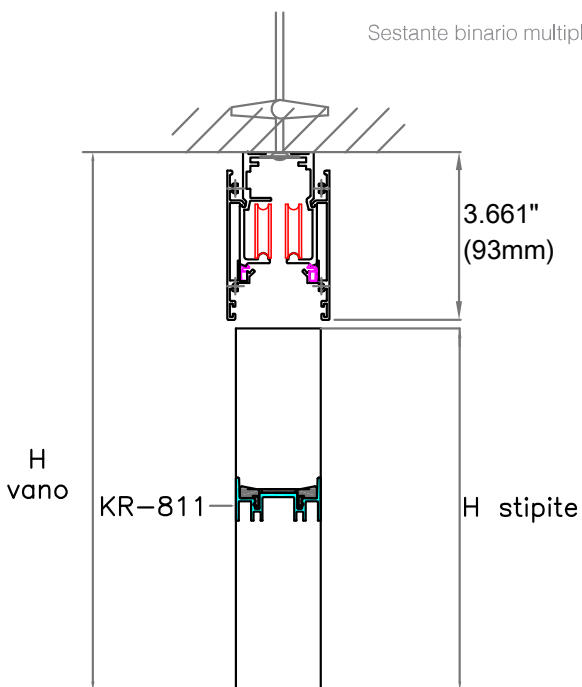


H.stipite KR-811=H.trave da terra -0.196\"(5mm)



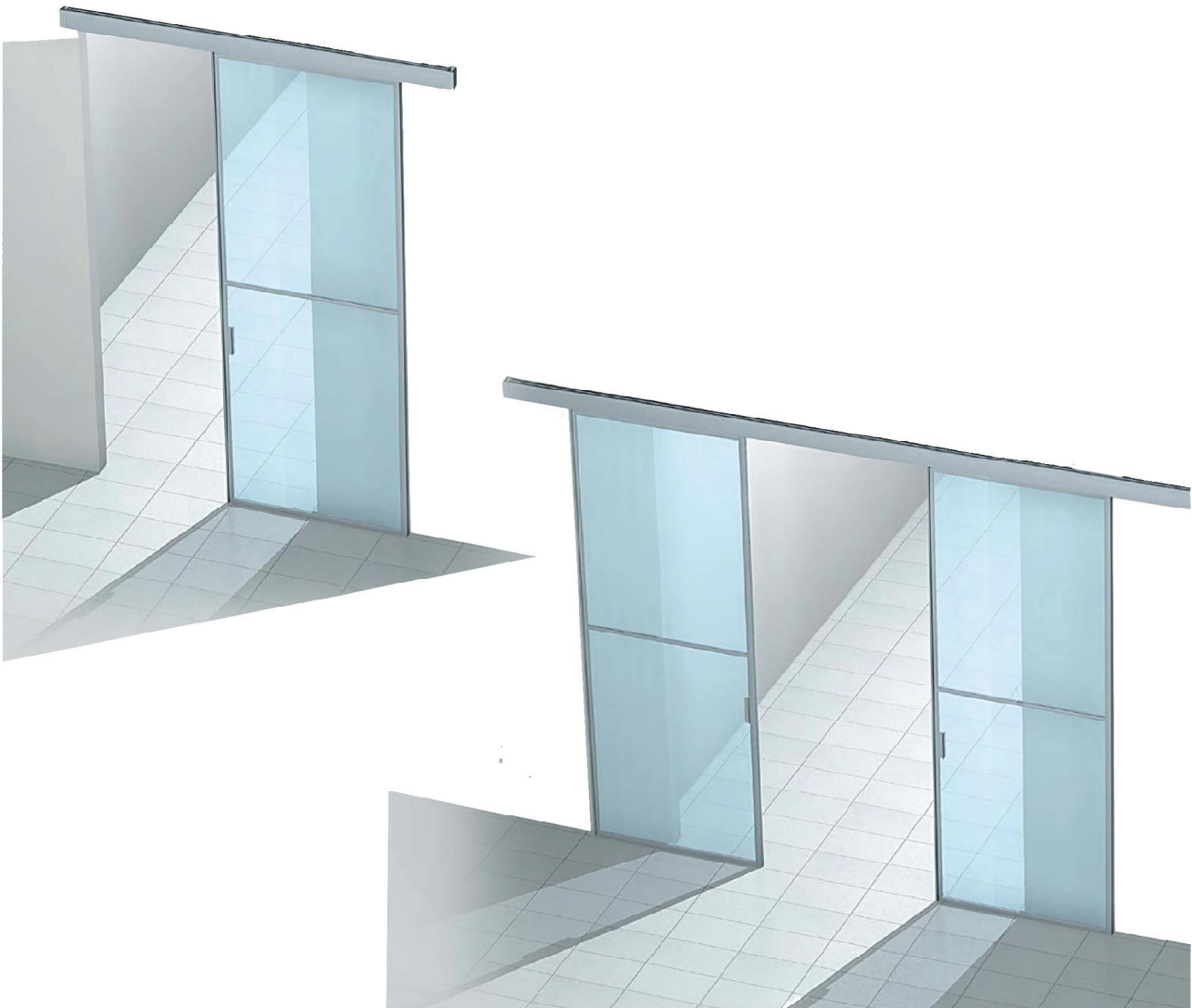
H.stipite KR-811=H.vano -4.212\"(107mm)

Sestante binario multiplo to the ceiling



H.stipite KR-811=H.vano-3.858\"(98mm)



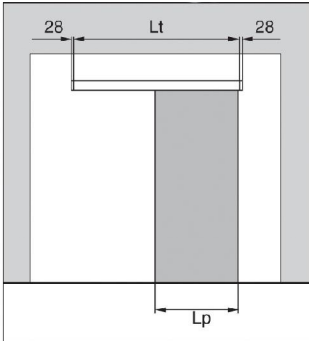


The system Sestante with aluminium beam to the wall. It's the classical closing solution with sliding doors to have walk-in wardrobes, to divide a space maintaining continuity of it.
The beam fixed at the ends with telescopic wall supports, that move the beam from the wall till 15mm.

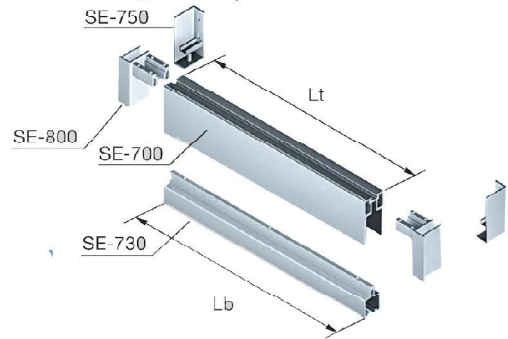
*Sestante is a patented System.



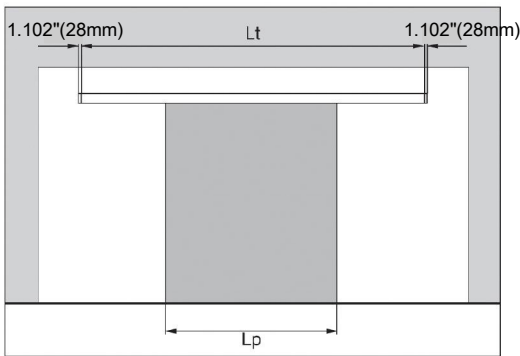
1 way sliding system for one door



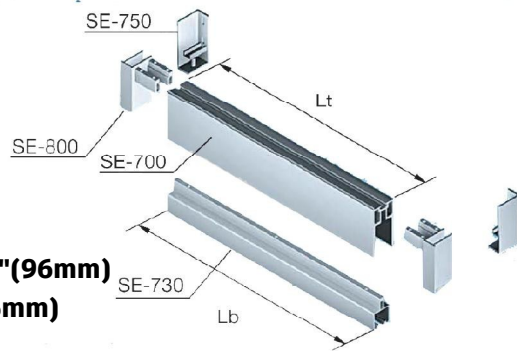
$Lt=Lp \times 2$
 $Lb=Lt - 0.196''(5mm)$



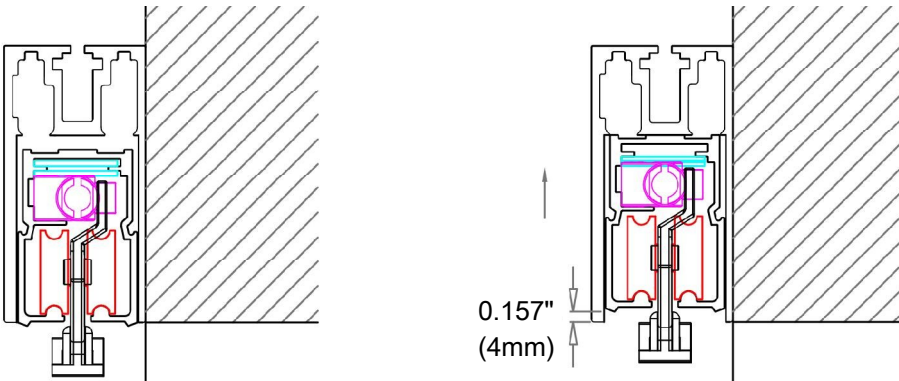
1 way sliding system for two doors



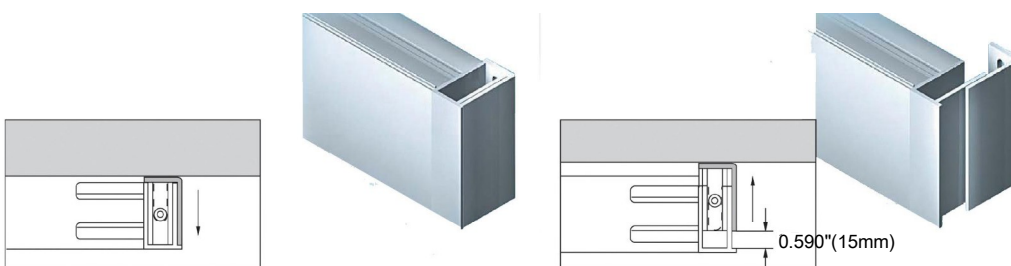
$Lt=Lp \times 2 - 3.779''(96mm)$
 $Lb=Lt - 0.196''(5mm)$

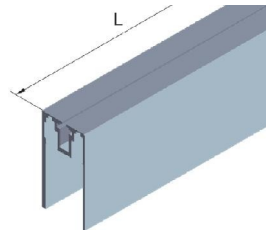
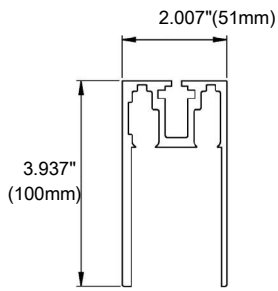


Technical details

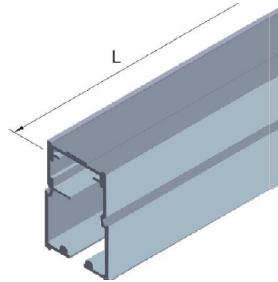
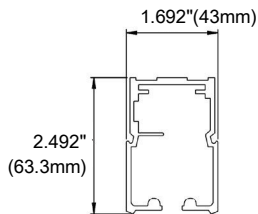


Beam adjustment to wall

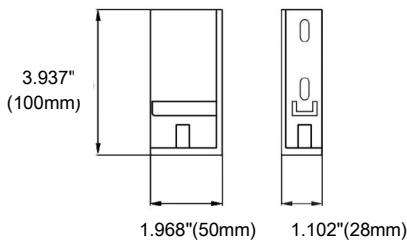




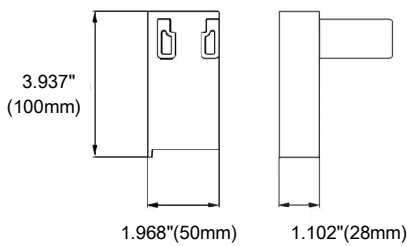
SE-700N 1 way L= width on request



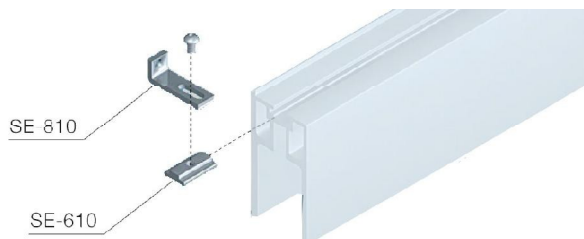
SE-950N 1 way rail. L= width on request



SE-750 Couple of wall supports 1 way beam.
Material: zama painted aluminium.

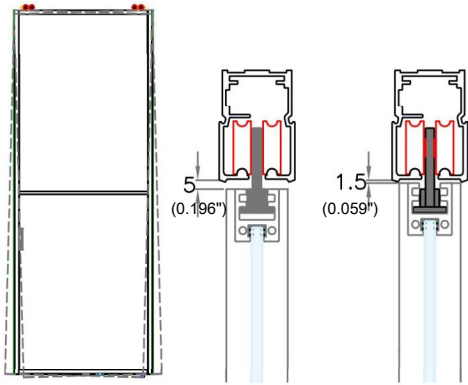


SE-800 Couple of supports 1 way beam.
Material: zama painted aluminium.

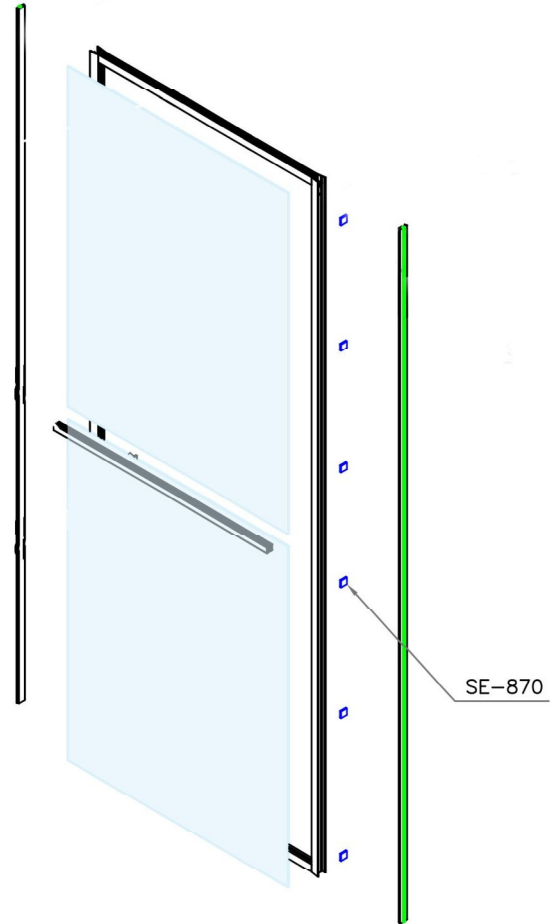


SE-610+SE-810 Support and connecting plate to put anywhere on the beam.

Door adjustment

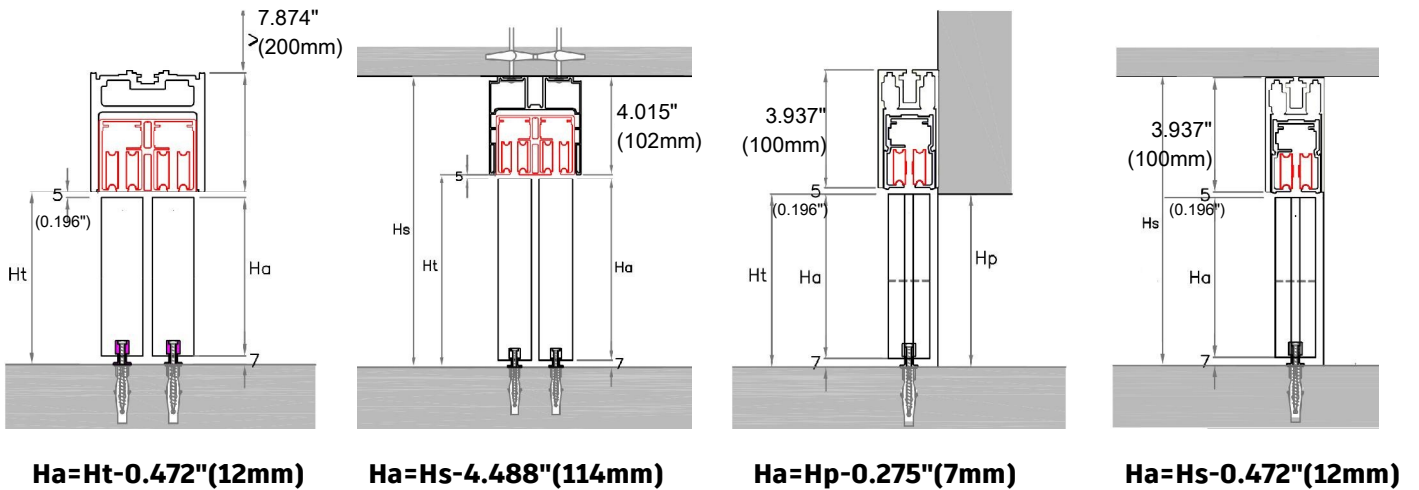


Door details

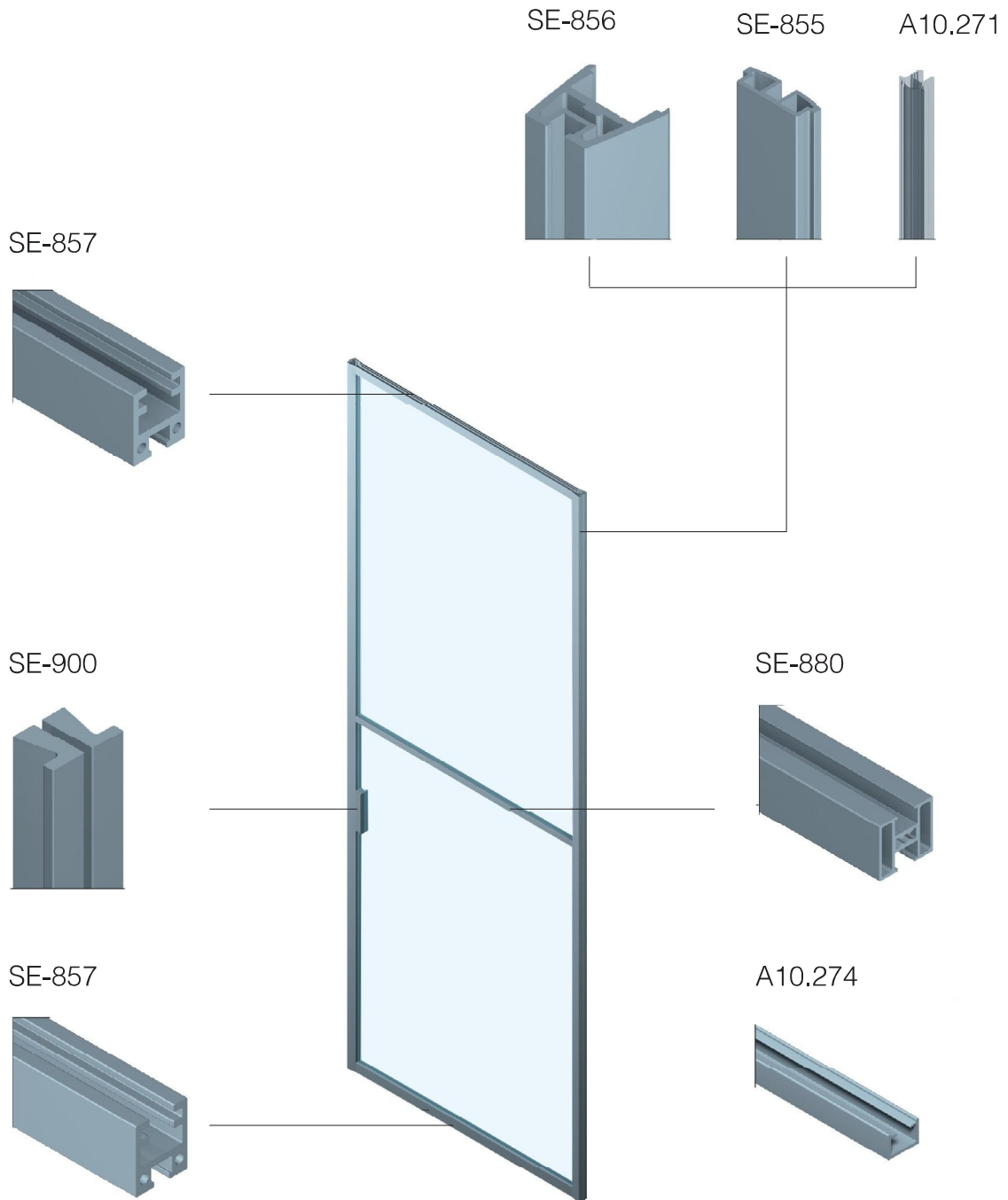


Sliding door, with two "faces", of 35mm thickness, completely realized in anodized aluminium. The door is available with entire glass or divided glass with dividing cross-bars.

Rule for calculation of door height

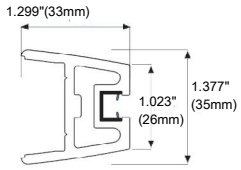


Door details

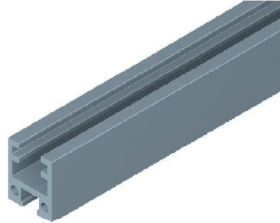
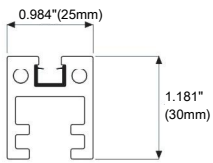


Extruded gasket for profiles
SE-856, SE-857, SE-880

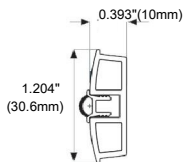
Sestante Door profiles



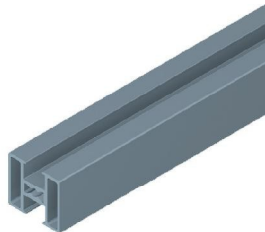
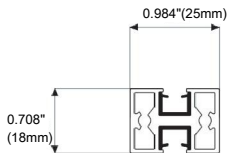
SE-856 Aluminium door vertical profile for gasket for 5mm glass.



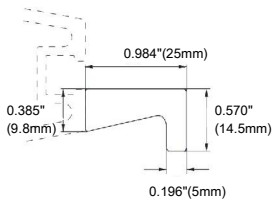
SE-857 Upper and lower horizontal aluminium profile for gasket for 5mm glass.



SE-855 Vertical profile cover of aluminium with rabbet gasket fit.

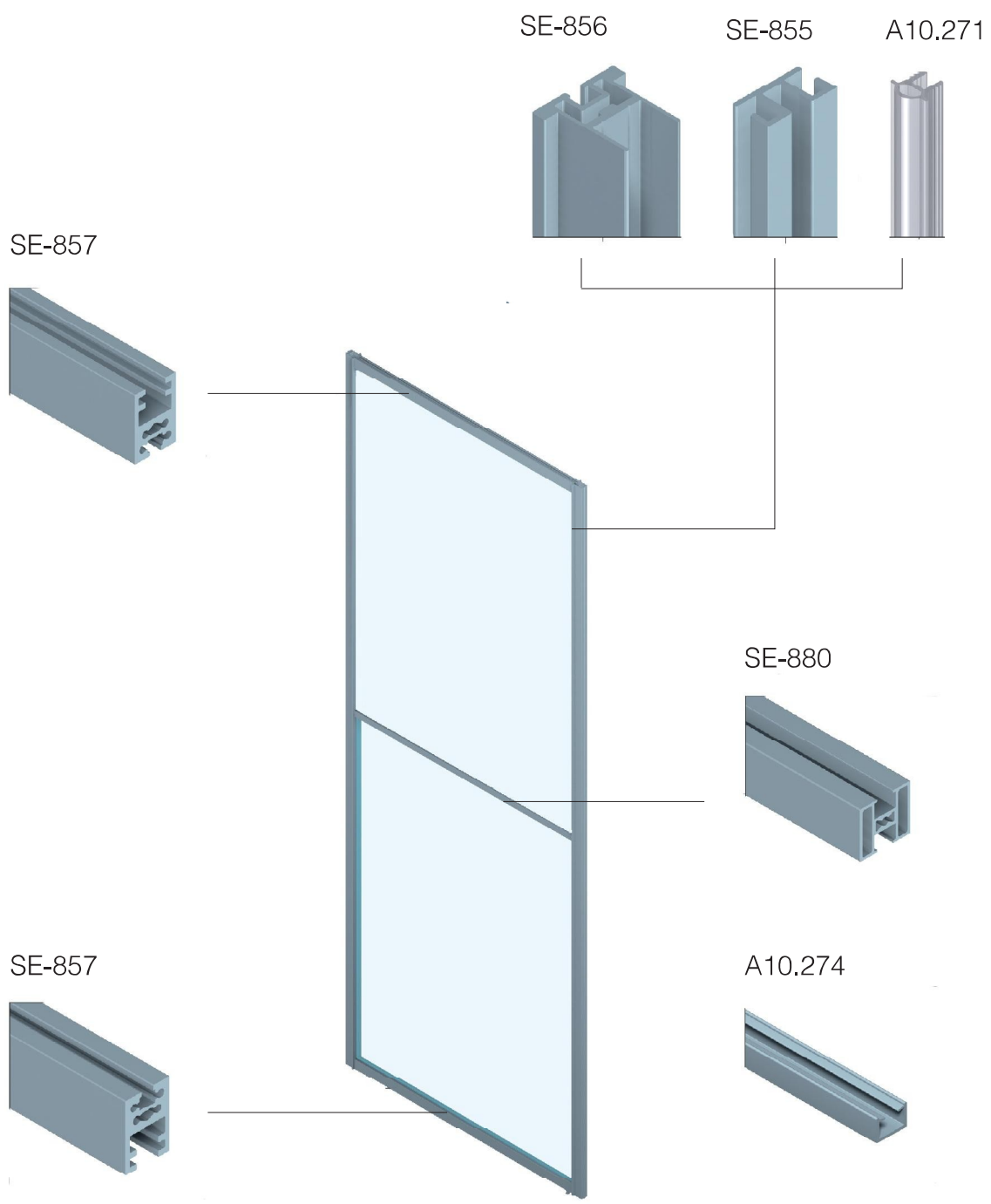


SE-880 Horizontal crossbar for gasket for 5mm glass.



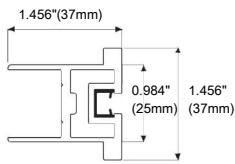
SE-900 Aluminium handle standard height 150-250mm.

Door details

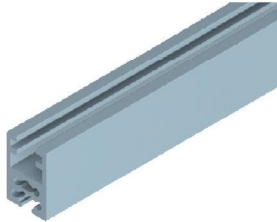
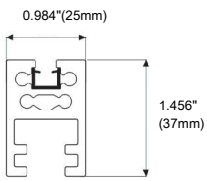


Extruded gasket for profiles
SE-856, SE-857, SE-880

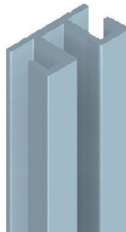
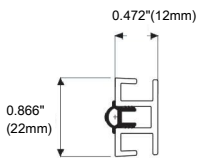
Sestante Door profiles



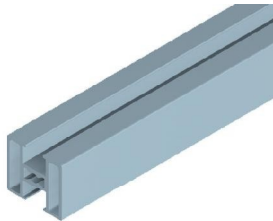
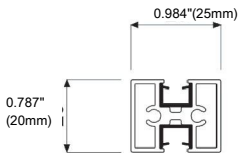
SE-856 Aluminium door vertical profile for gasket for 5mm glass.



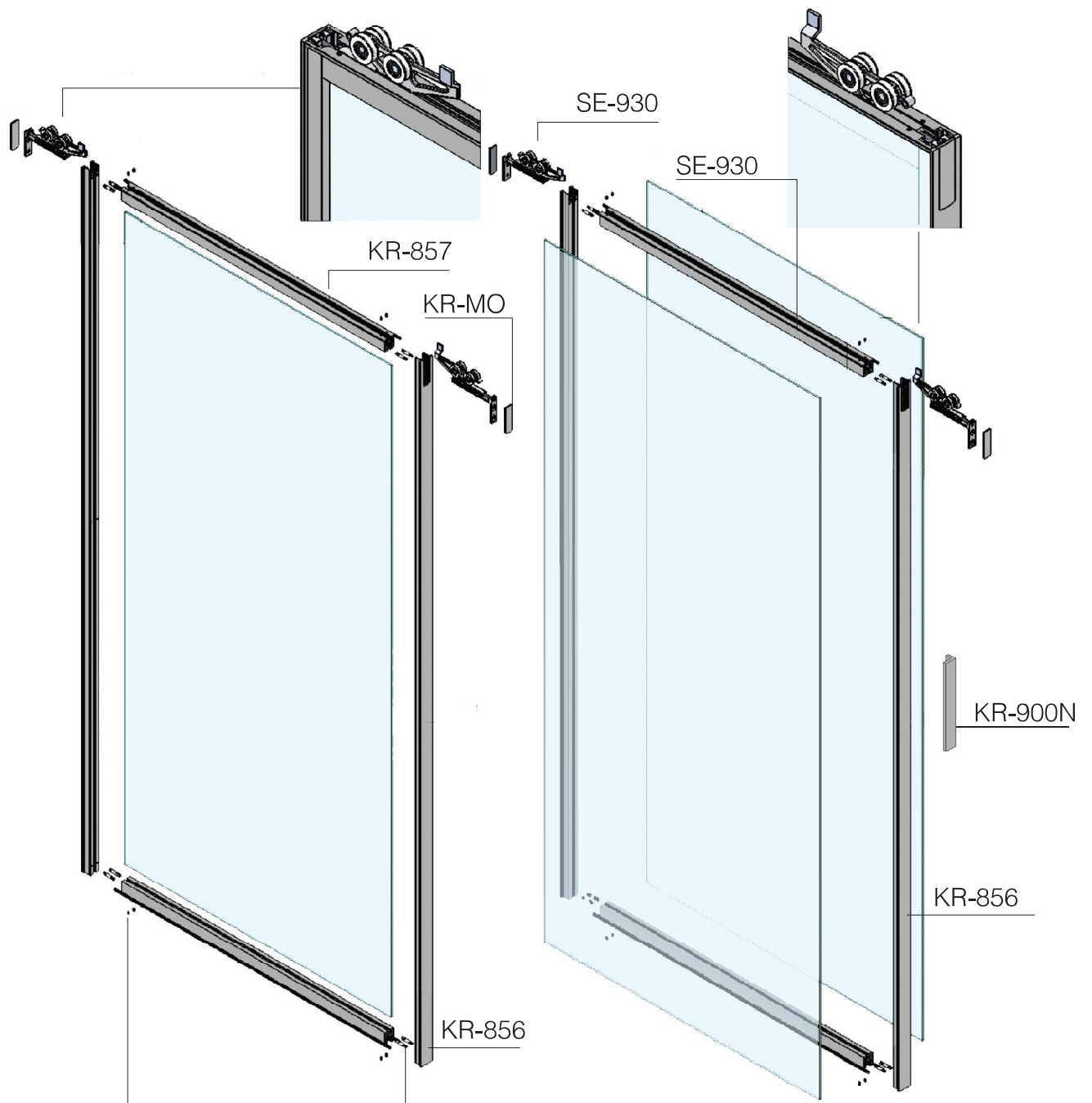
SE-857 Upper and lower horizontal aluminium profile for gasket for 5mm glass.



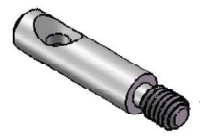
SE-855 Vertical cover profile of aluminium with rabbet gasket fit.



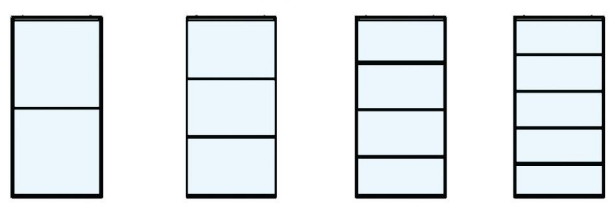
SE-880 Horizontal crossbar for gasket for 5mm glass.



Screw M6x10

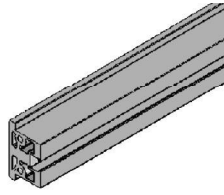
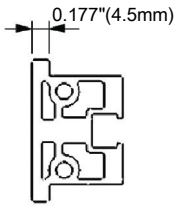


Tie-rod DM.7x5

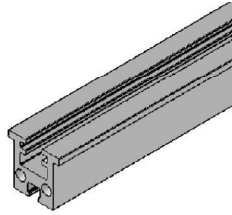
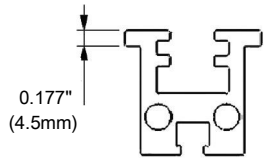


Door with dividing cross-bar

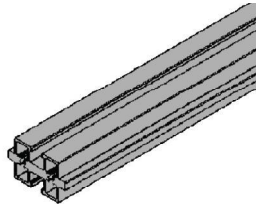
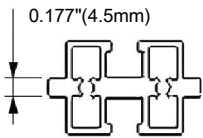
Sestante Components



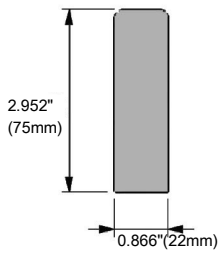
KR-856 Vertical door profile



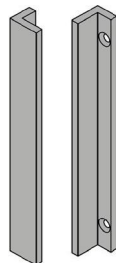
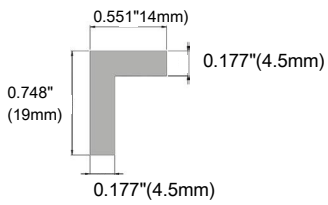
KR-857 Horizontal upper and lower door profile



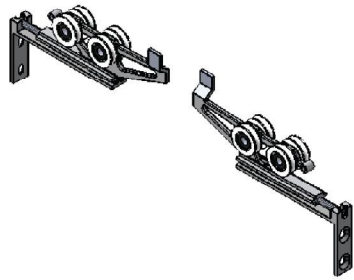
KR-880 Door cross profile



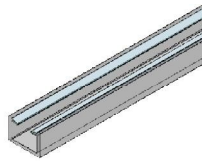
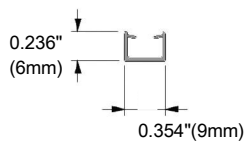
KR-MO Aluminium plate



KR-900N Handle



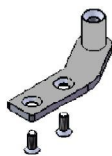
SE-930 Couple of complete carriges, to be fixed to the door frame. Max load 240kg each couple one couple each door.



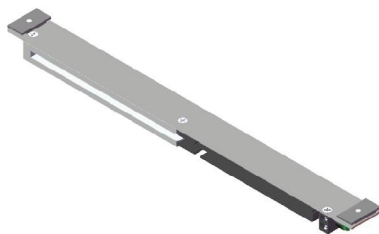
GSE5 Co-extruded trasparent gasket for glass 5 and 6mm thick



SE-920 Lower nylon guiding pin, to be fixed to the floor

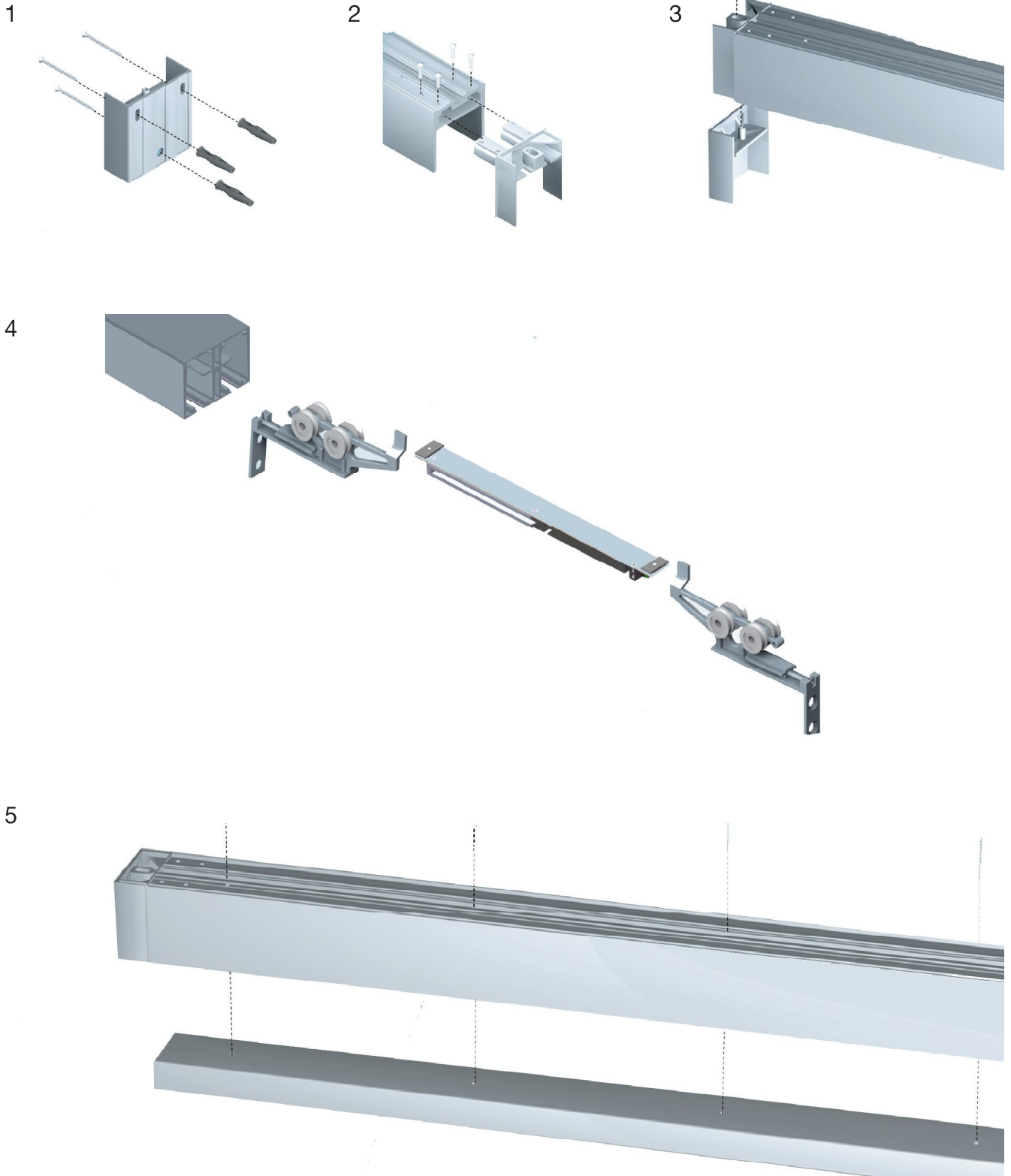


KR-995 Dragging door tool



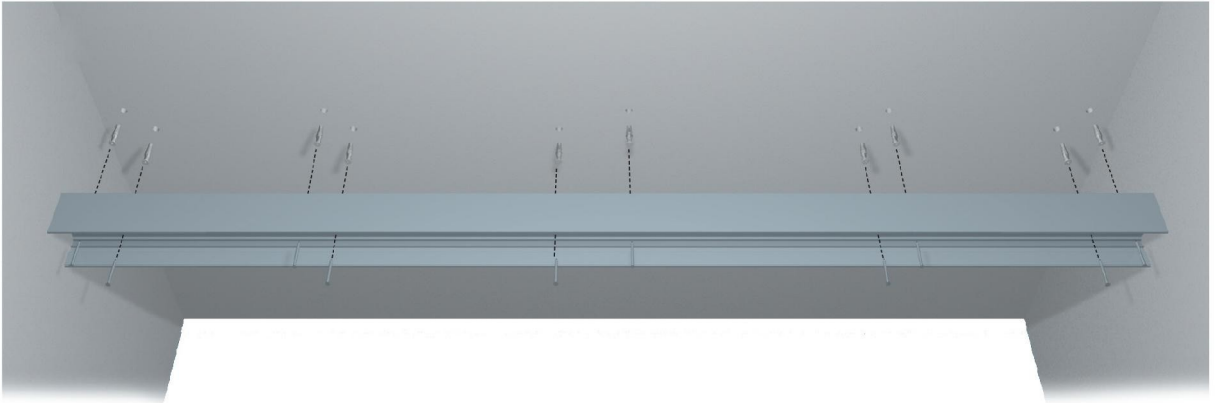
SIC-940 Soft closing mechanism

2 ways sliding system

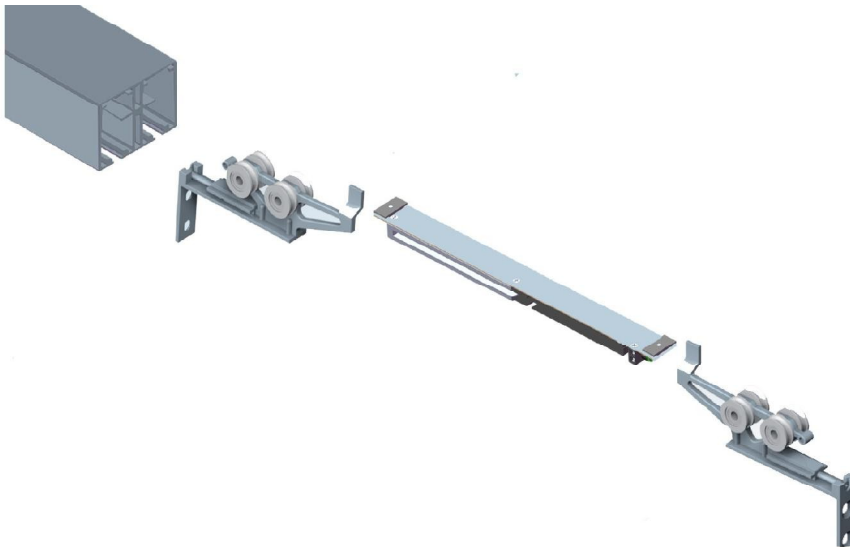


2 ways sliding system to the ceiling

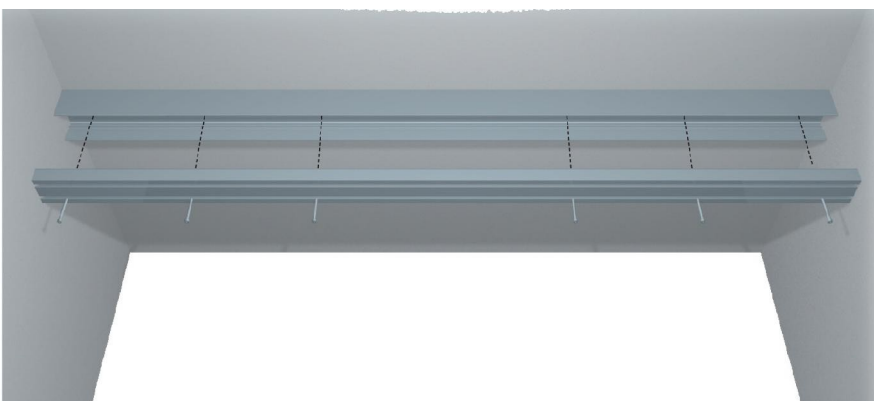
1



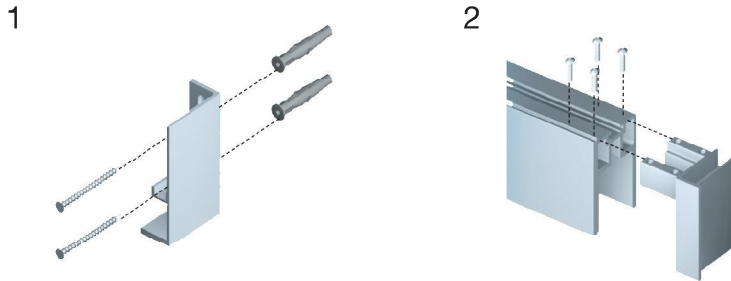
2



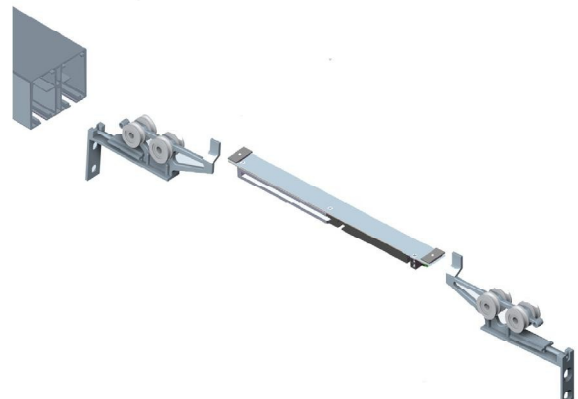
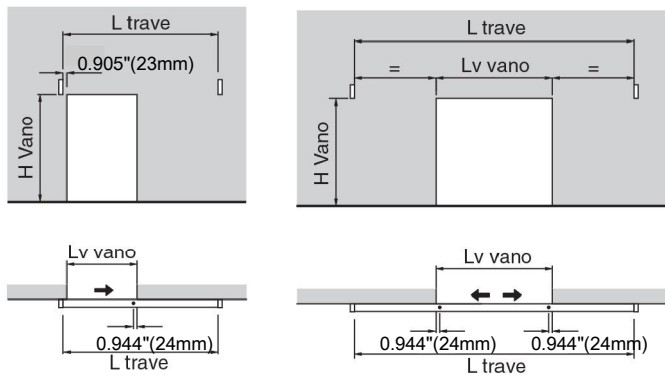
3



1 way sliding system



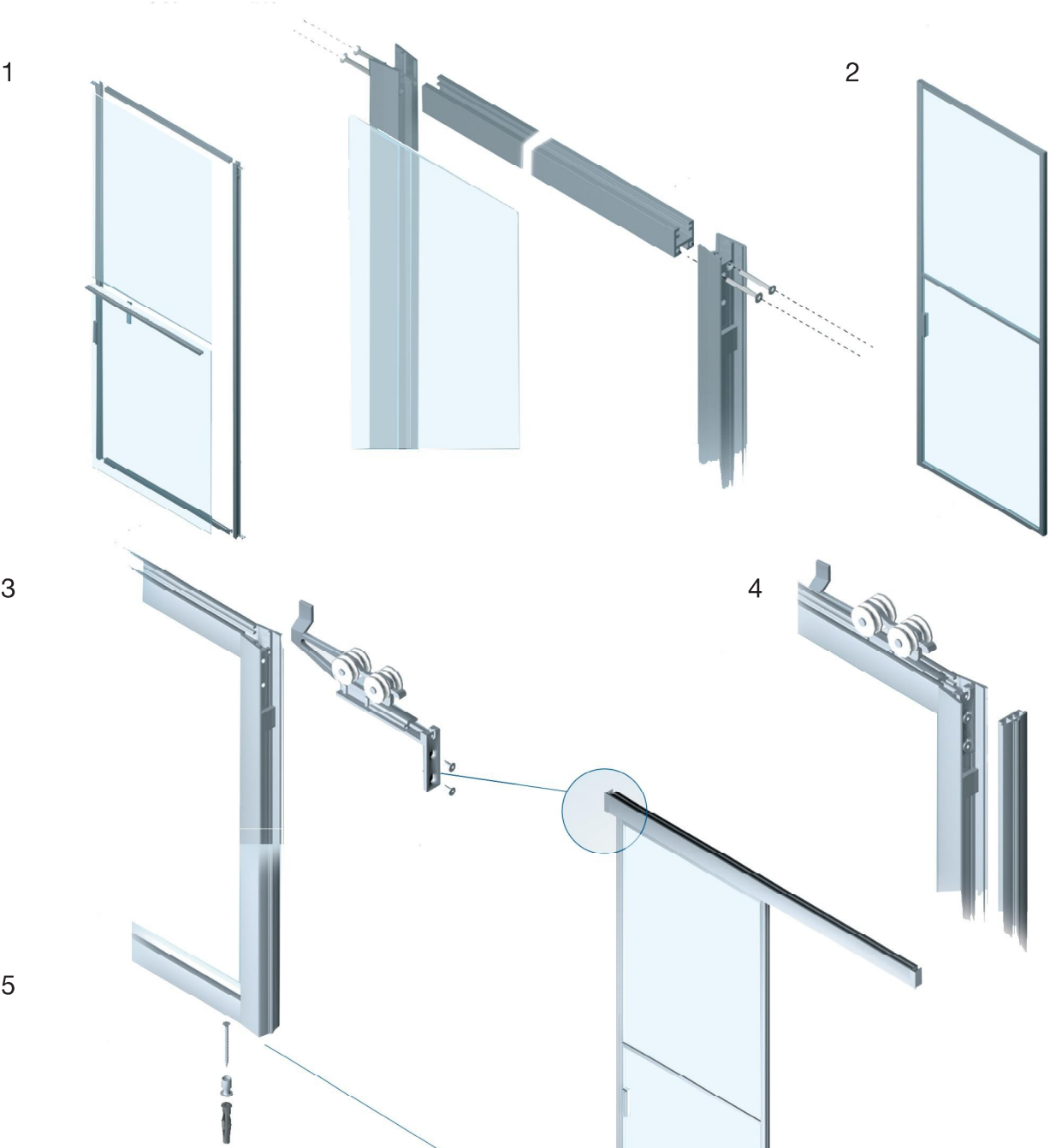
4



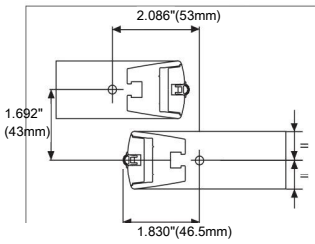
5



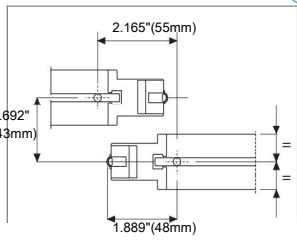
Sliding door



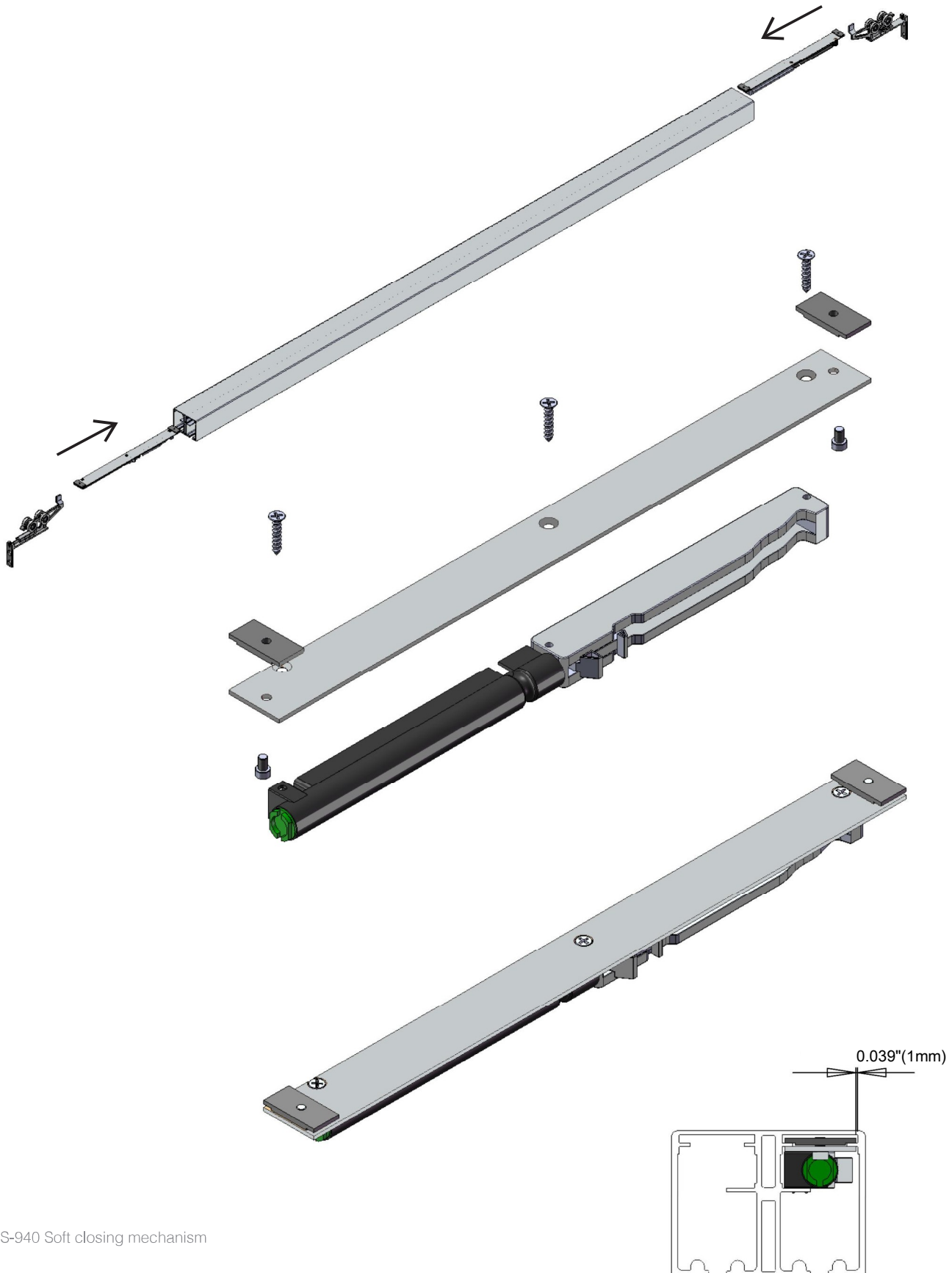
POSIZIONE PERNO GUIDA SESTANTE

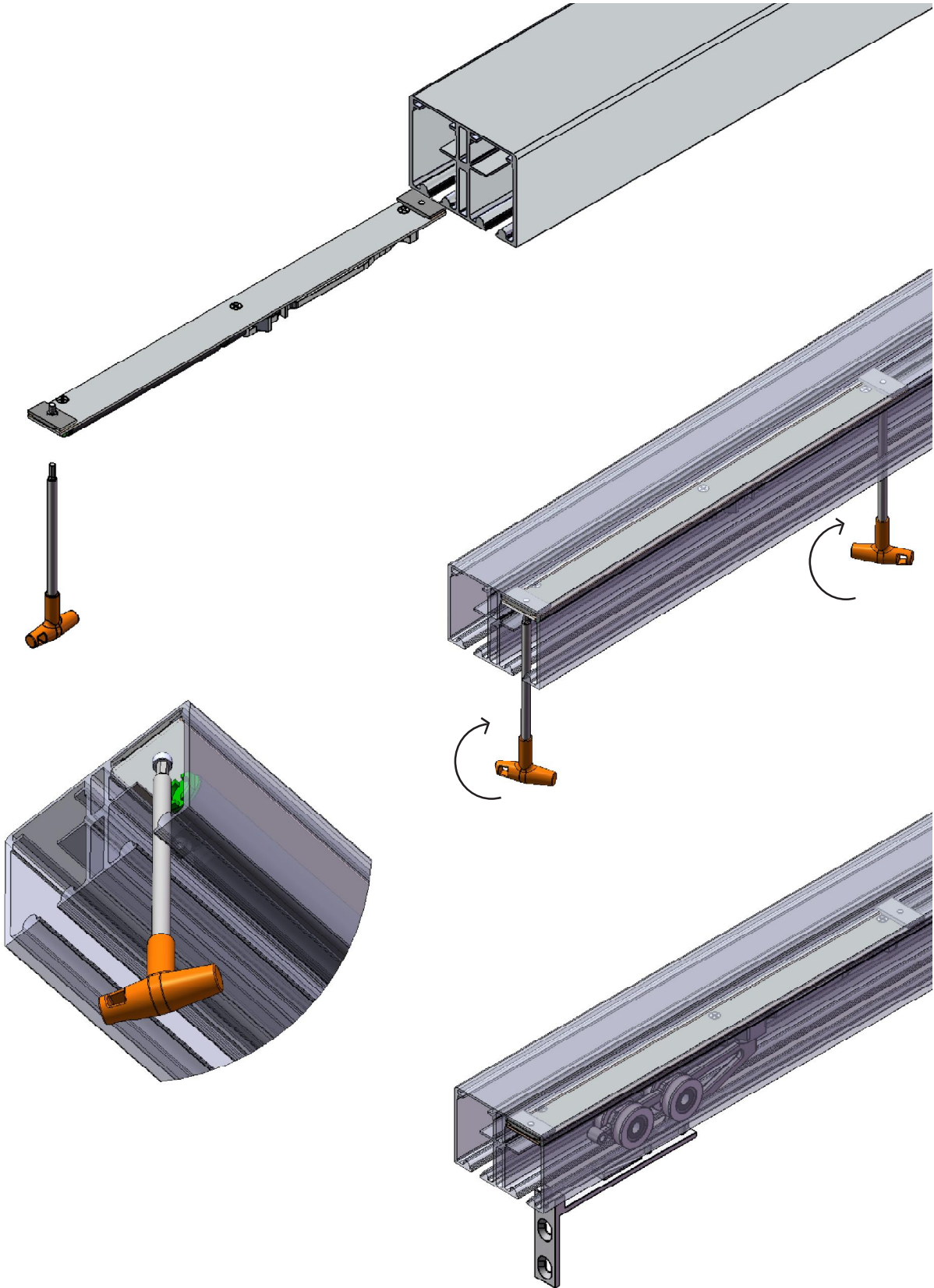


POSIZIONE PERNO GUIDA GENIUS



Sestante New soft closing system



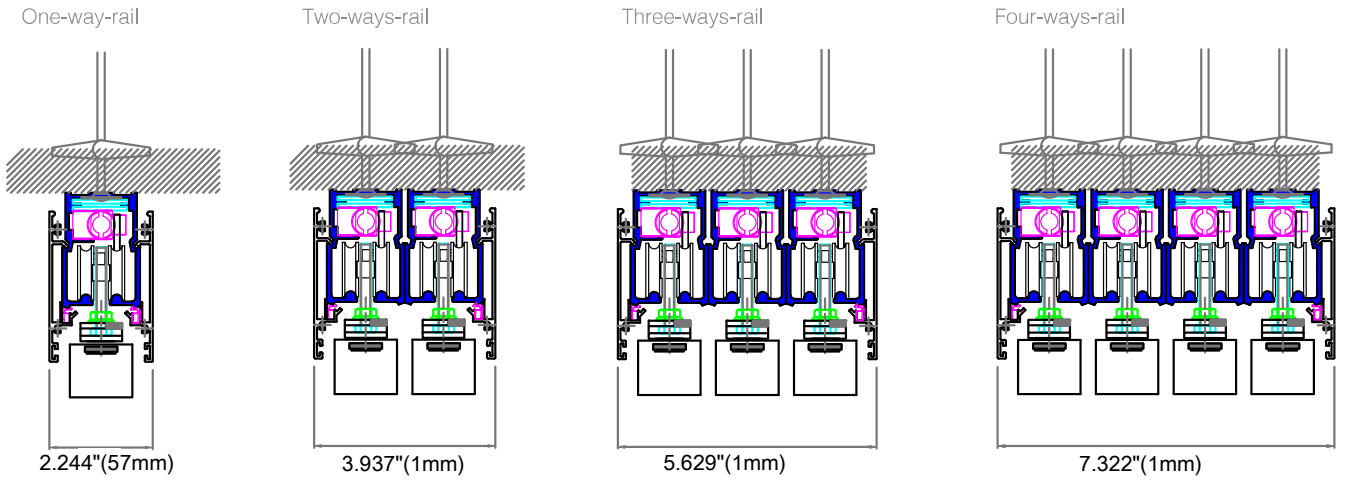




SESTANTE MULTIPLE RAIL

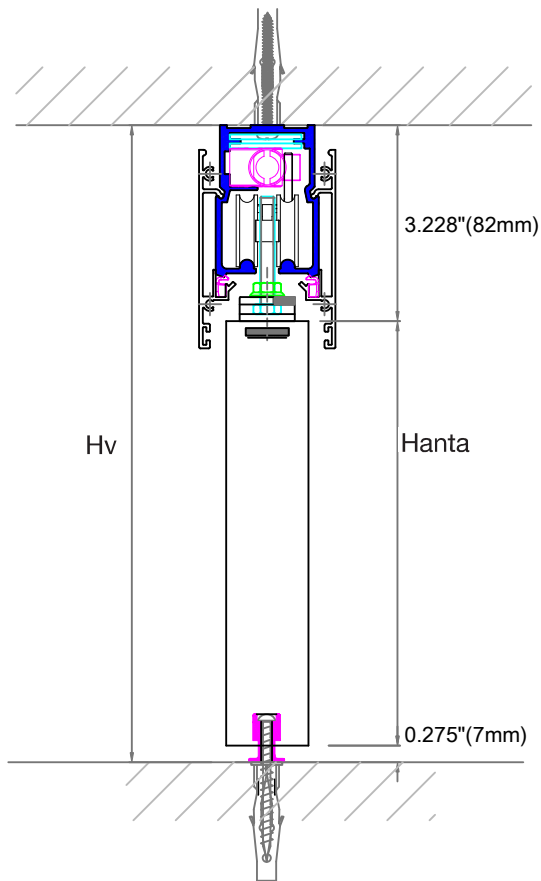
Easy and practical ceiling System to divide rooms and spaces, which is made of an aluminium rail. Rails can be put one next to each other to create a multiple-ways System, which is contained by cover profiles. The versatility of the carriages retainer allows the assembling of aluminium doors or wood doors with a maximum thickness of 38 mm.

Rails compatible



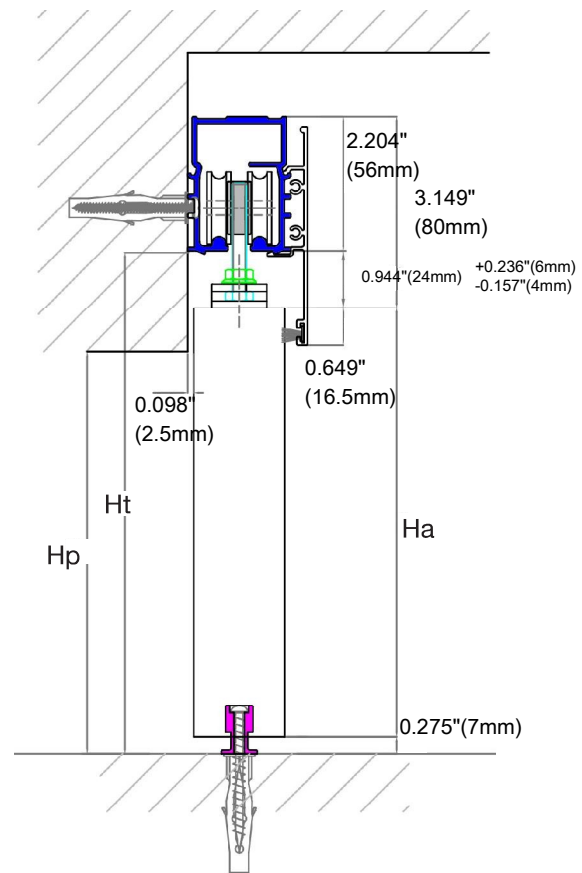
Door regulation

Ceiling rail



$Ha = Hv - 89mm$

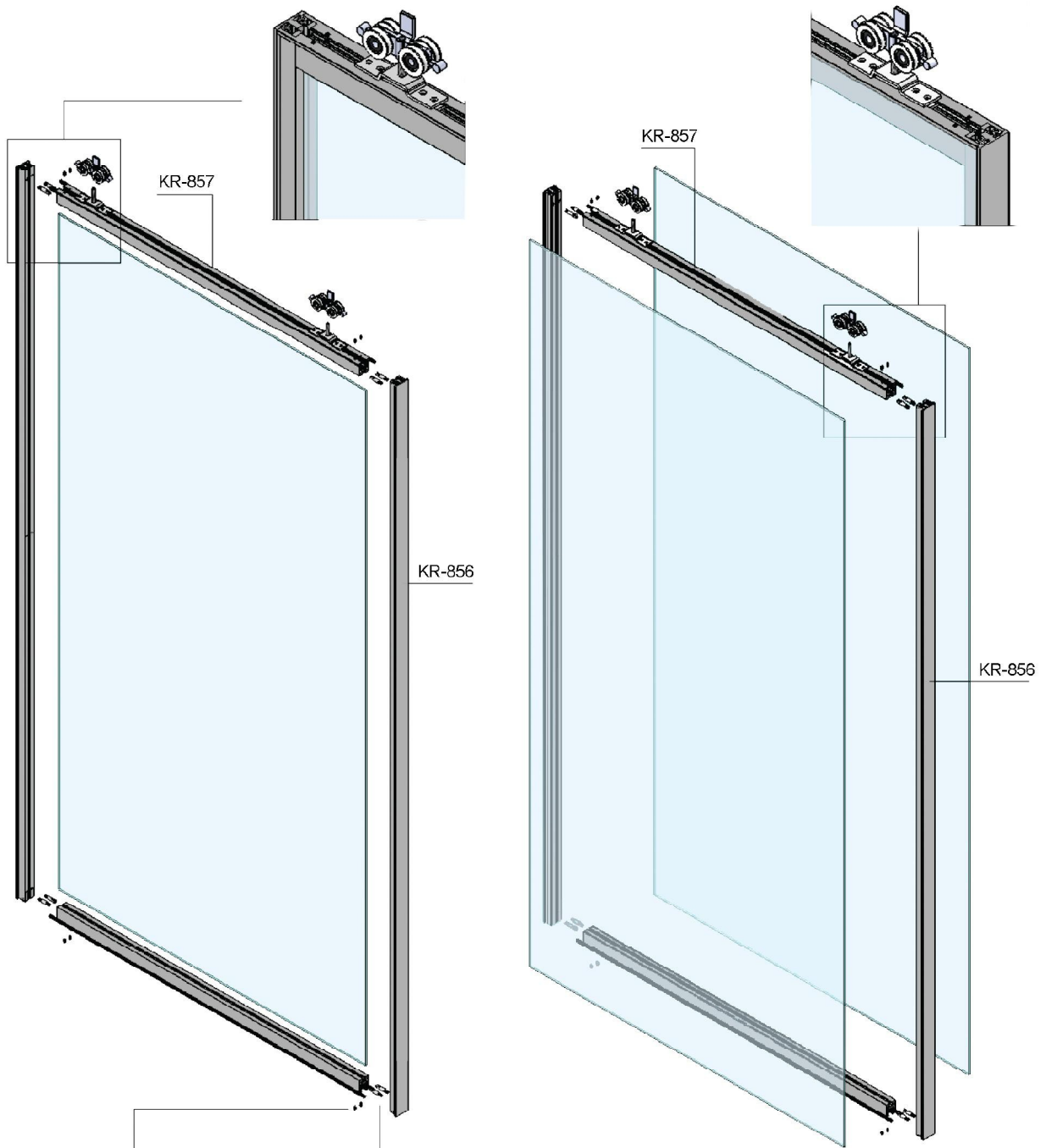
Rail to the wall



$Ha = Hv + 9,5mm$



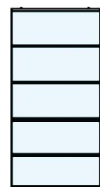
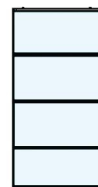
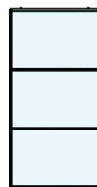
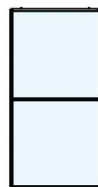
Binario Multiplo Assembly door Kronos



Screw M6x10

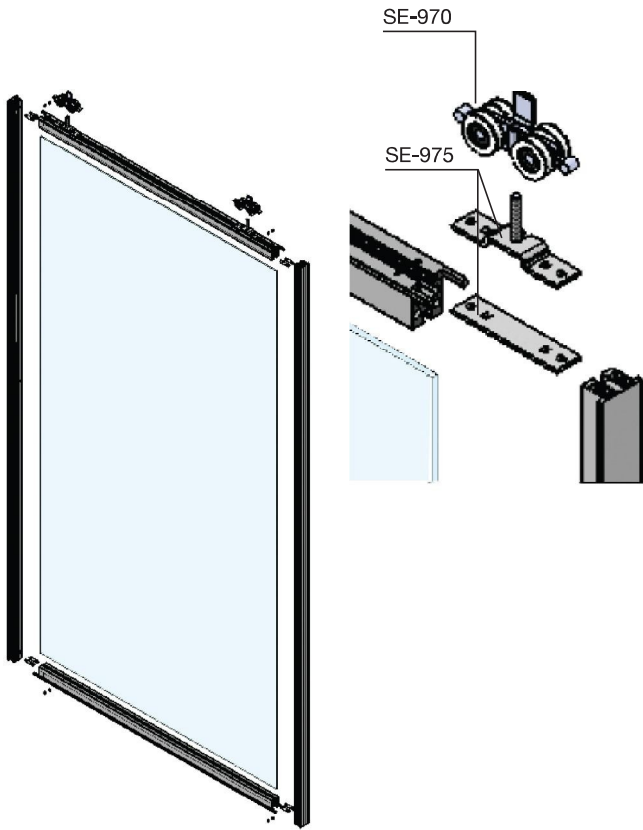


Tie-rod DM.7x5

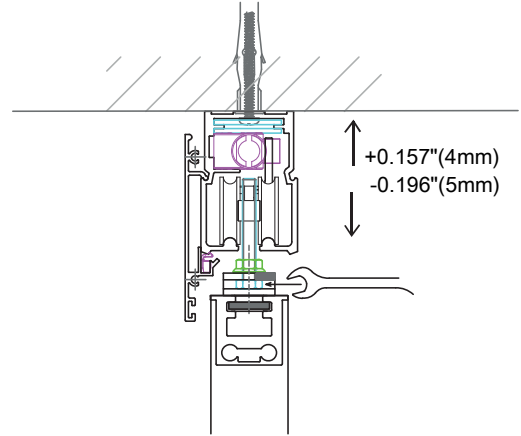


Door with deviding cross-bar

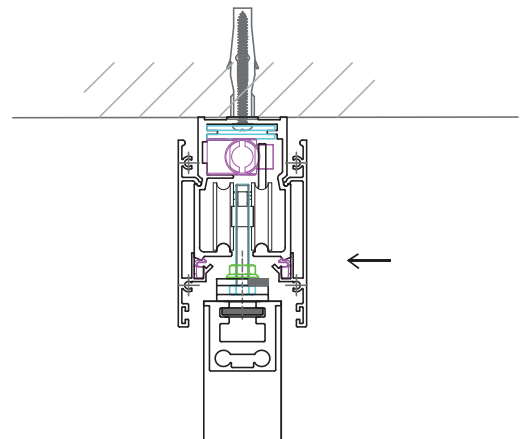
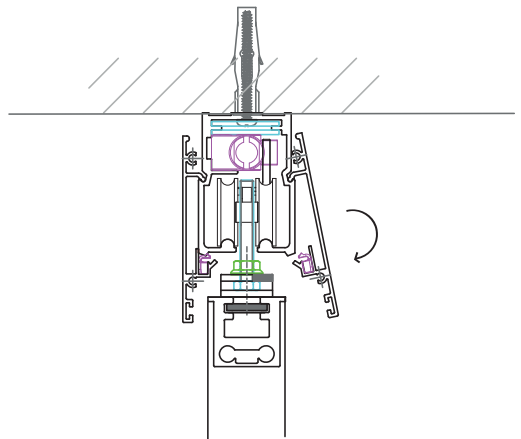
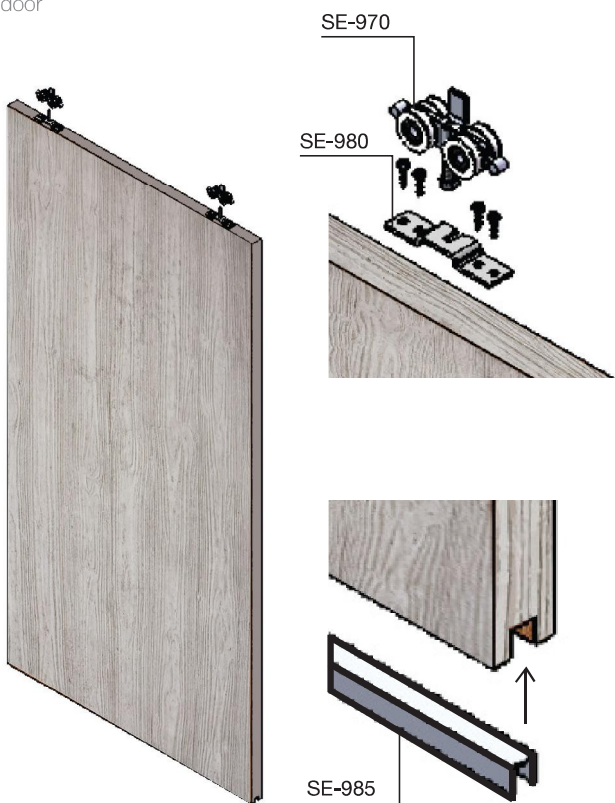
Aluminium door



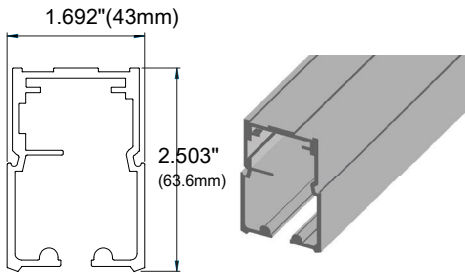
Aluminium door



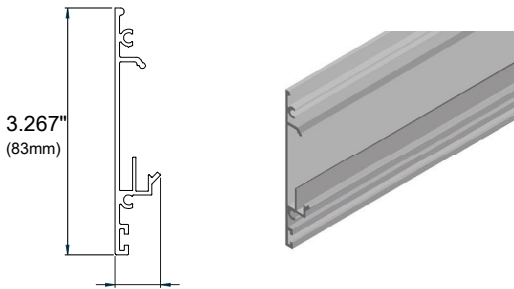
Wood door



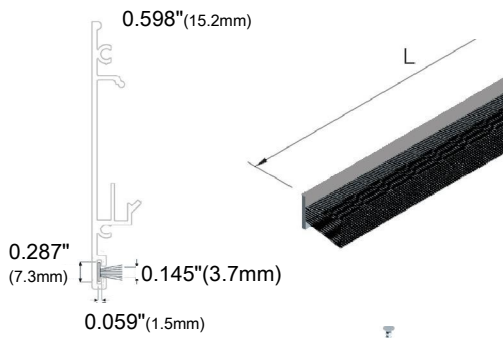
Binario Multiple Components



SE-950 Alluminium rail. Holes on demand
L=Length on demand.



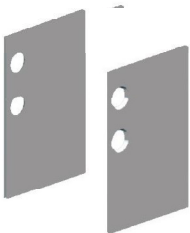
SE-960 Cover profile
L= Length on demand.



SE-963 Black brush cover profile.
L=Length on demand.



SE-920 Complete lower guide pin in nylon to fix to the floor



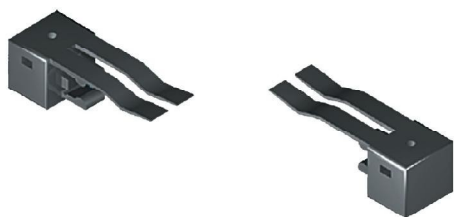
SE-990 Side caps for 1 way rail for wall



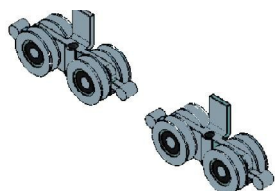
RS-940 Soft closing mechanism



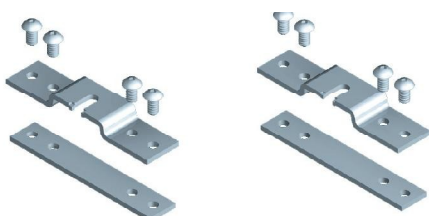
Plastic clip for carter fixing



SE-940 Couple of stops for upper carriages, to put in the rail.
1 couple for each door.



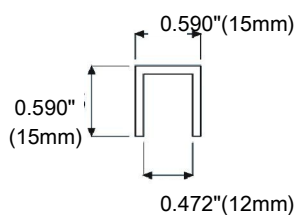
SE-970 Upper carriages. Capacity: 240 Kg each couple. One couple each door.



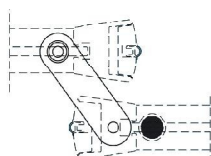
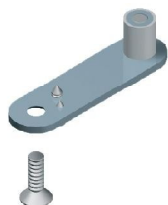
SE-975 Couple of bracket for aluminium door. One couple each door.



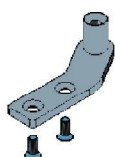
SE-980 Couple of bracket for wooden door. One couple each door.



SE-985 Aluminium lower profile for wooden door.
L = length on demand.

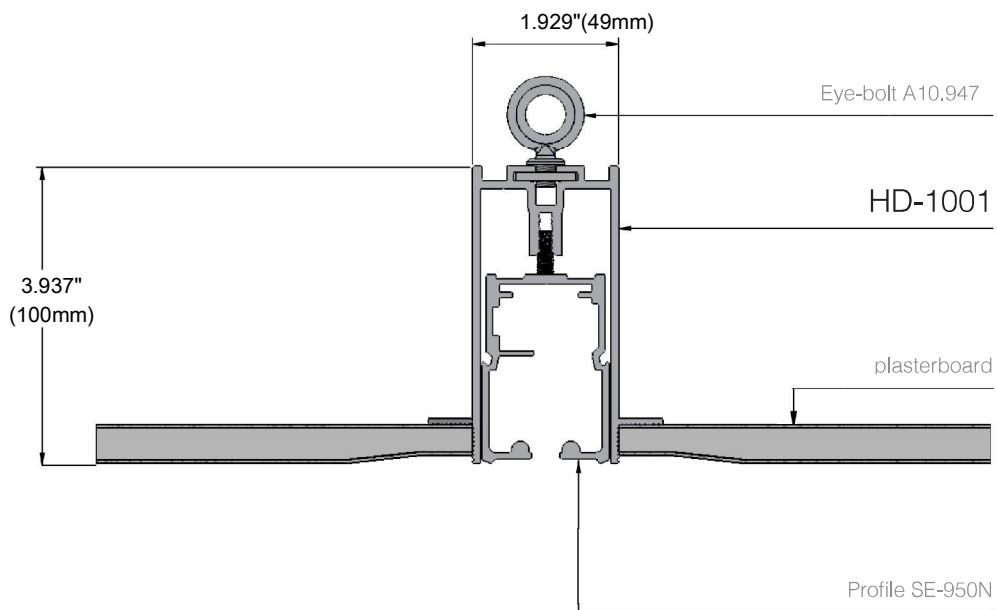
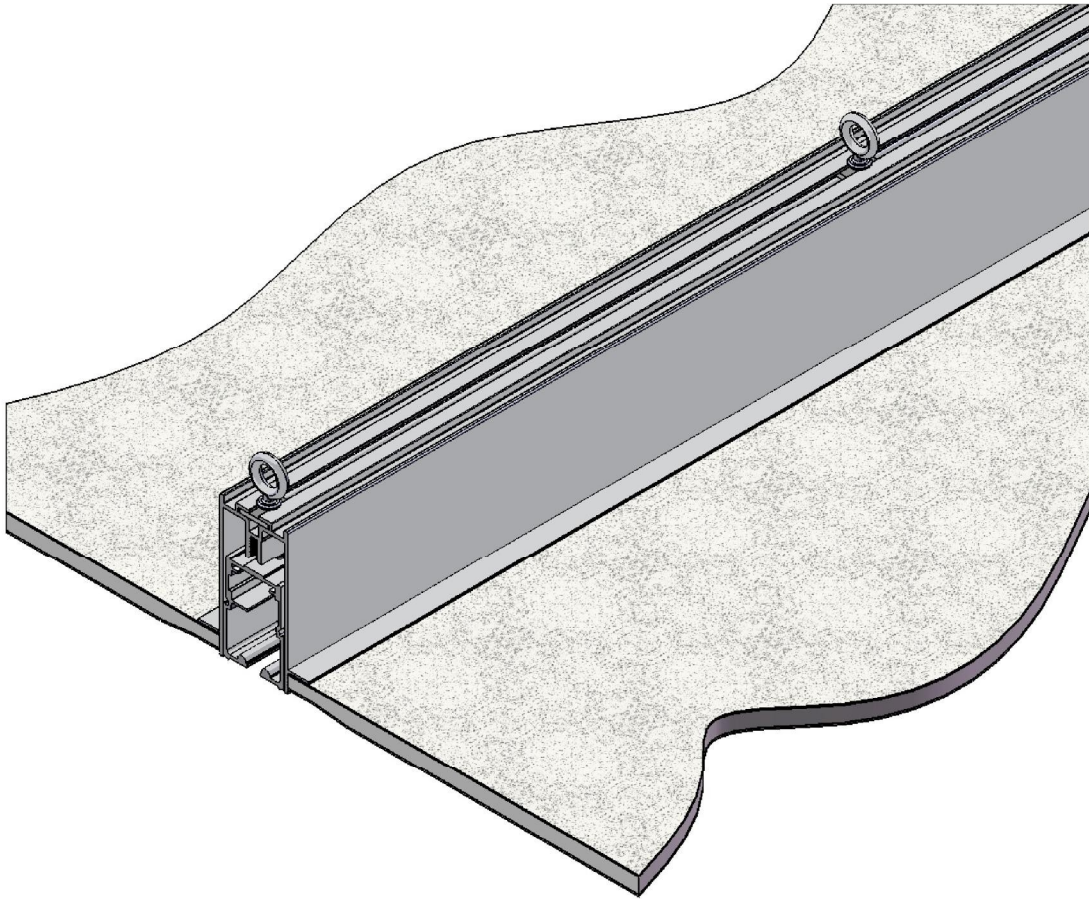


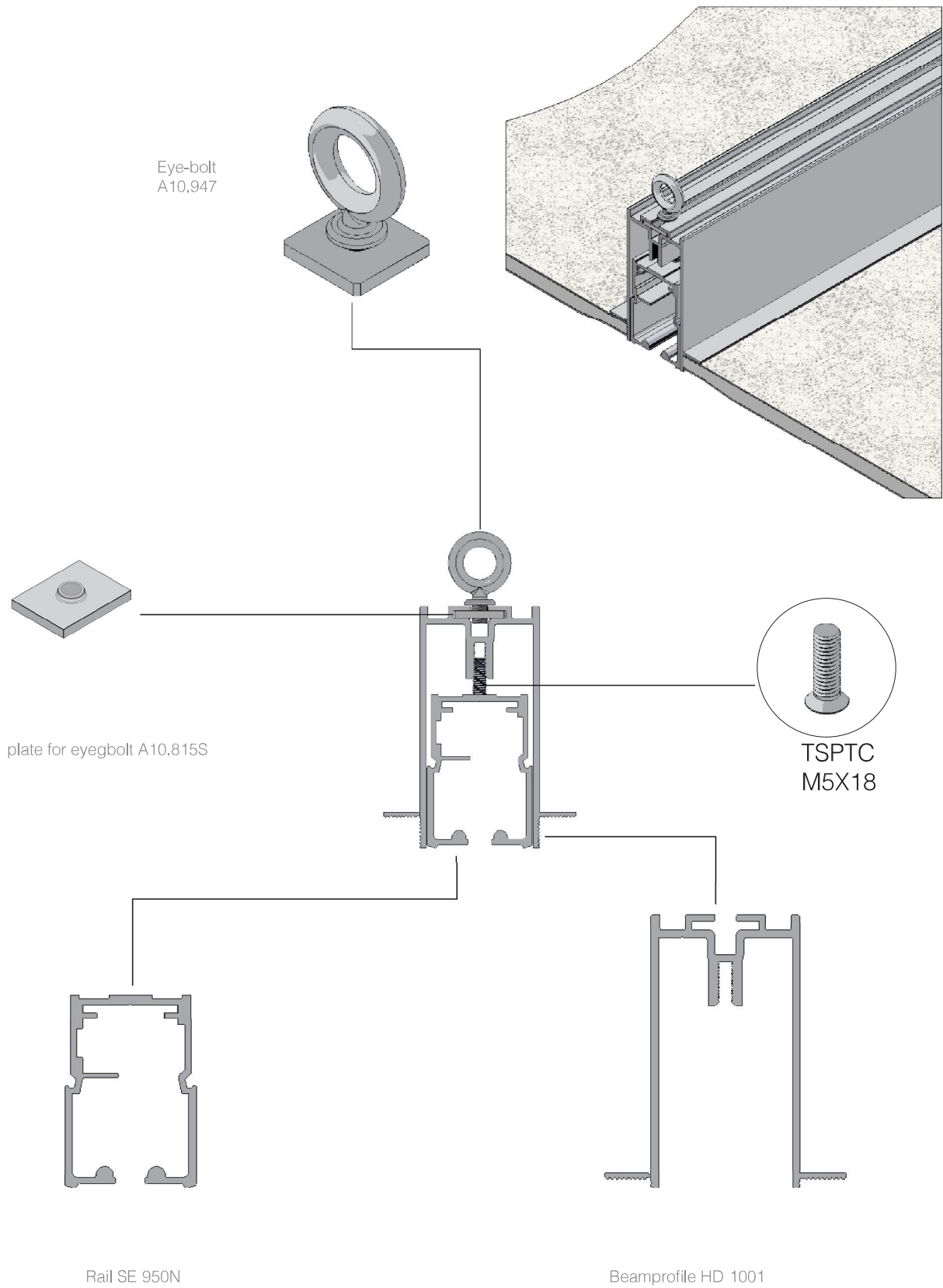
SE-995 Dragging door piece.



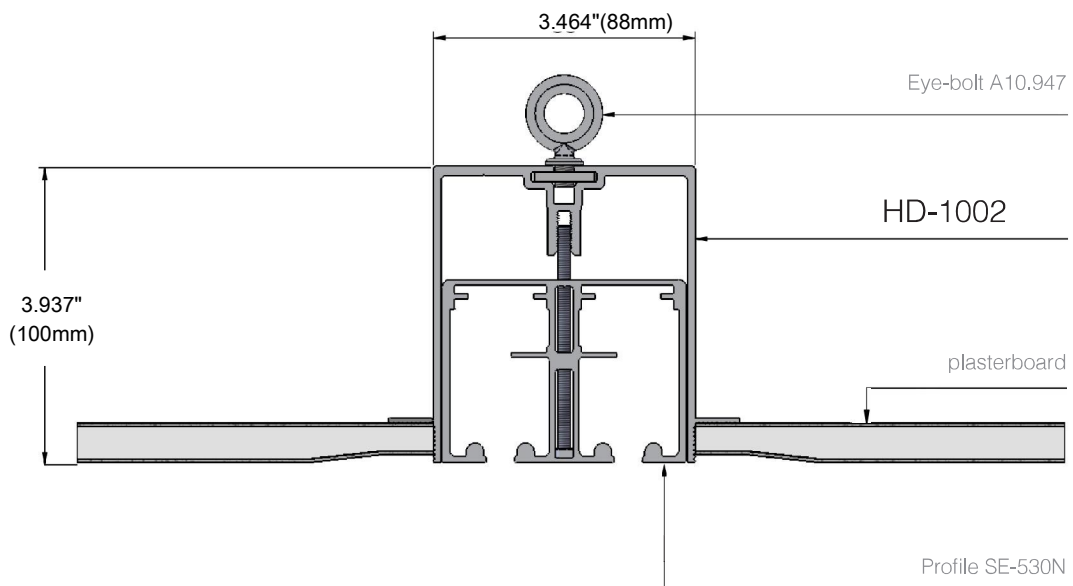
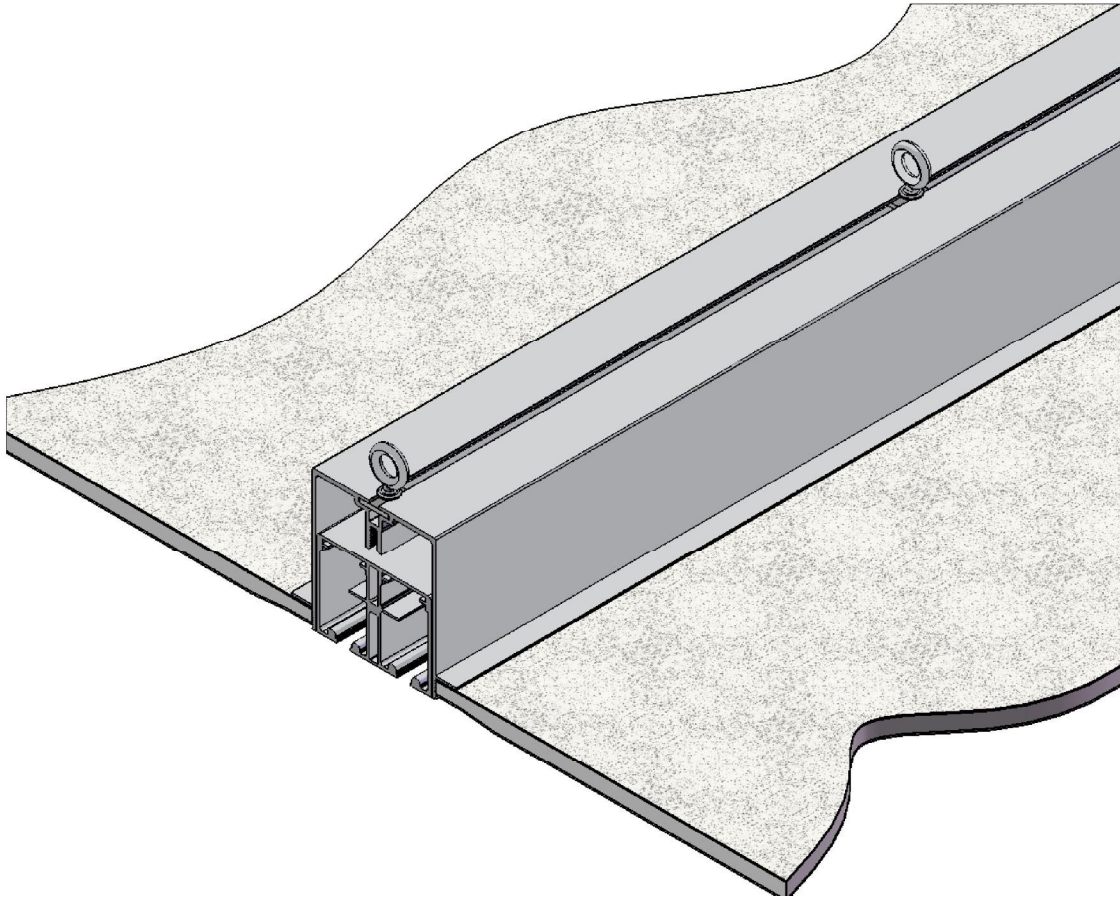
KR-955 Dragging door tool

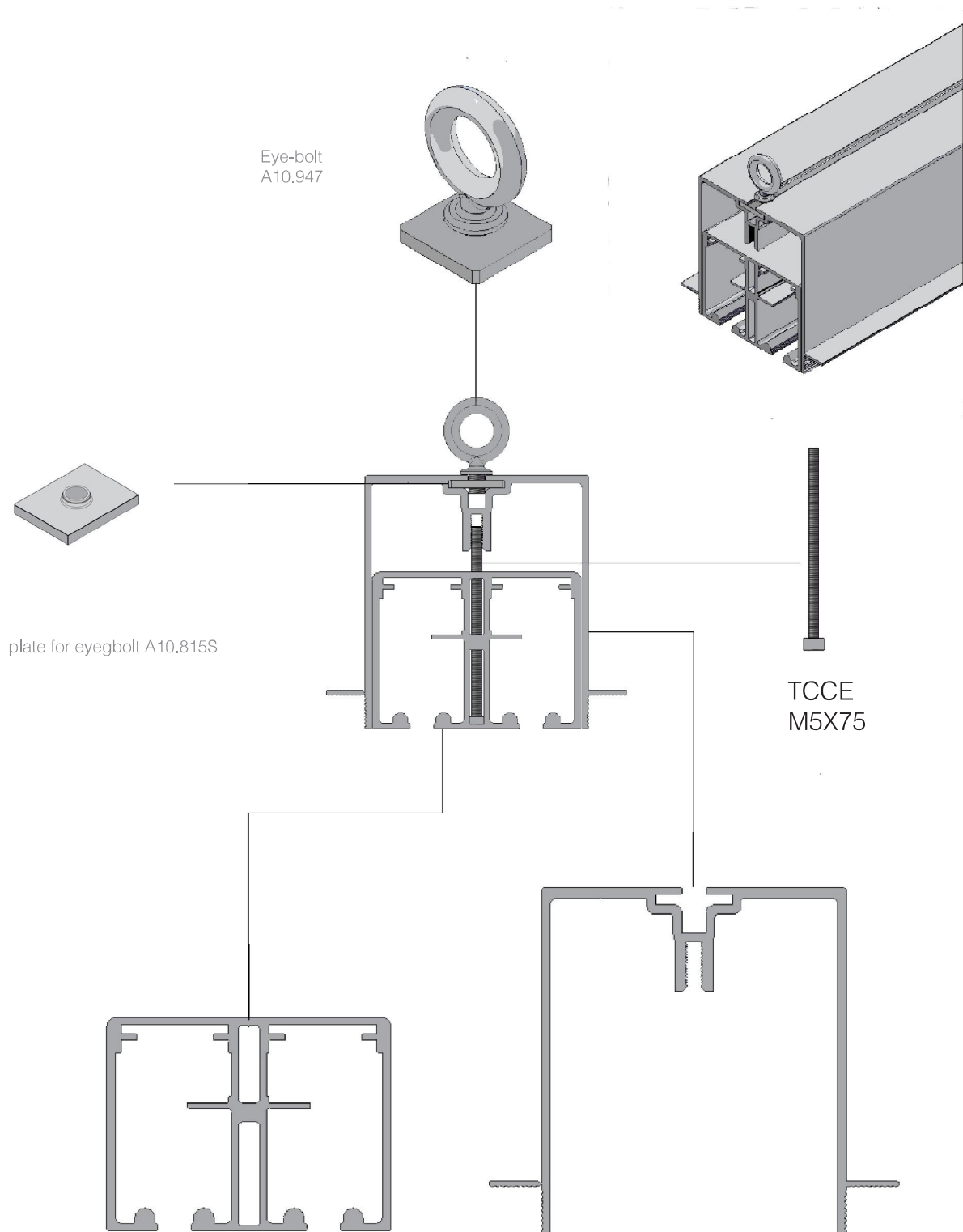
Hidden sestante Sliding door system 1-way system on plasterboard



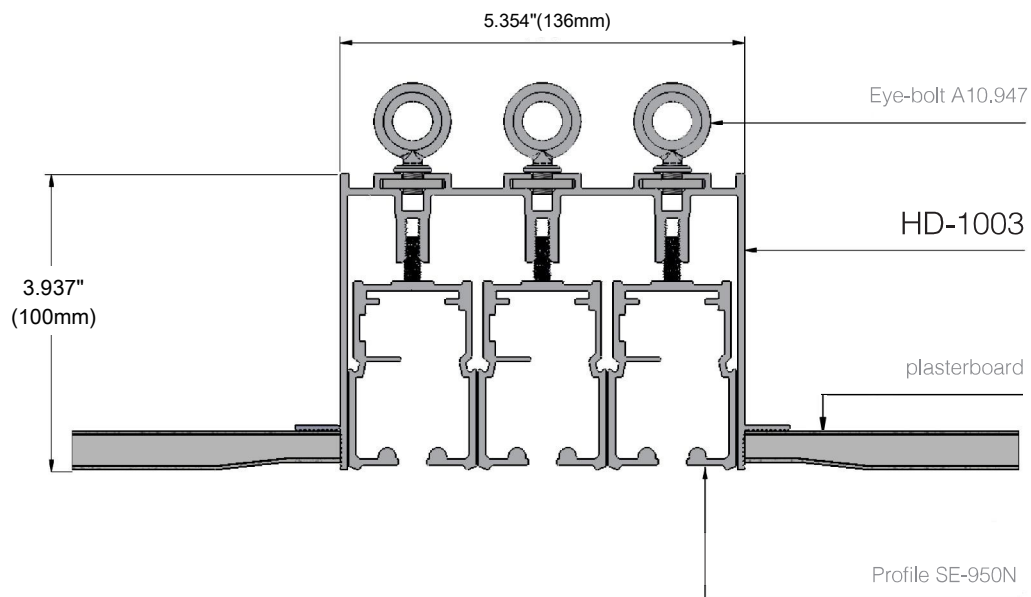
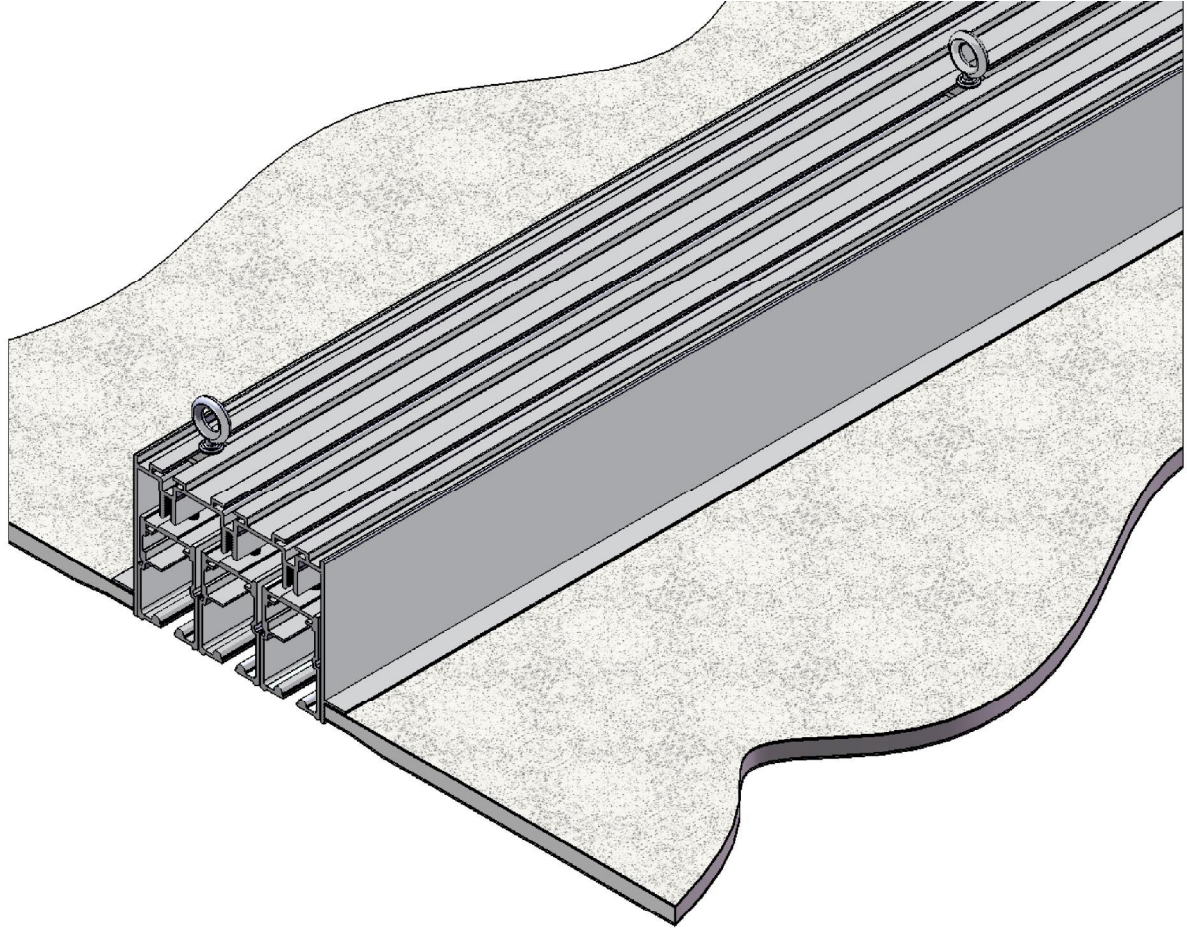


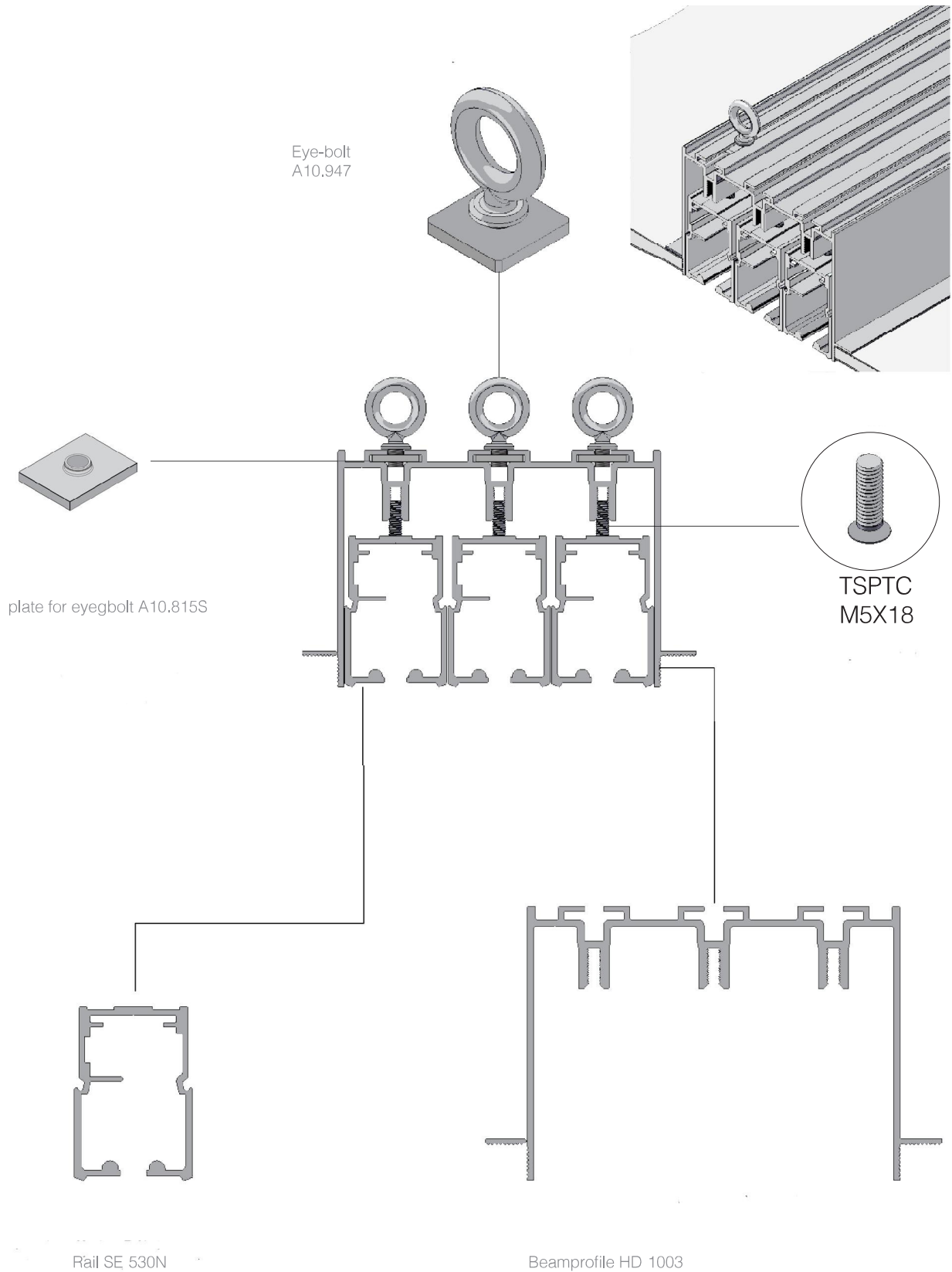
Hidden sestante Sliding door system 2-ways on plasterboard



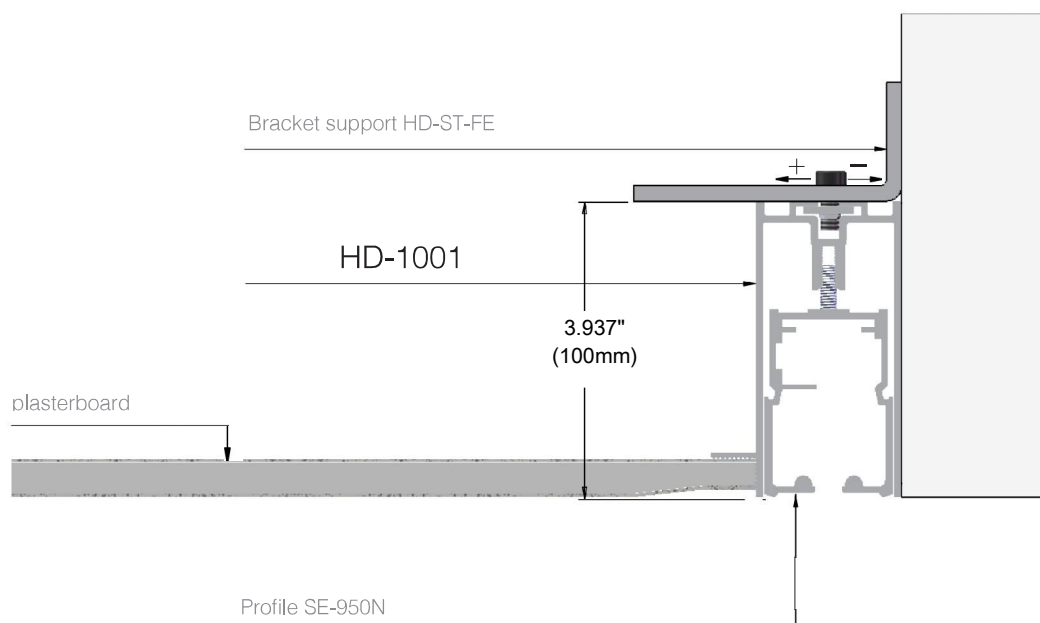
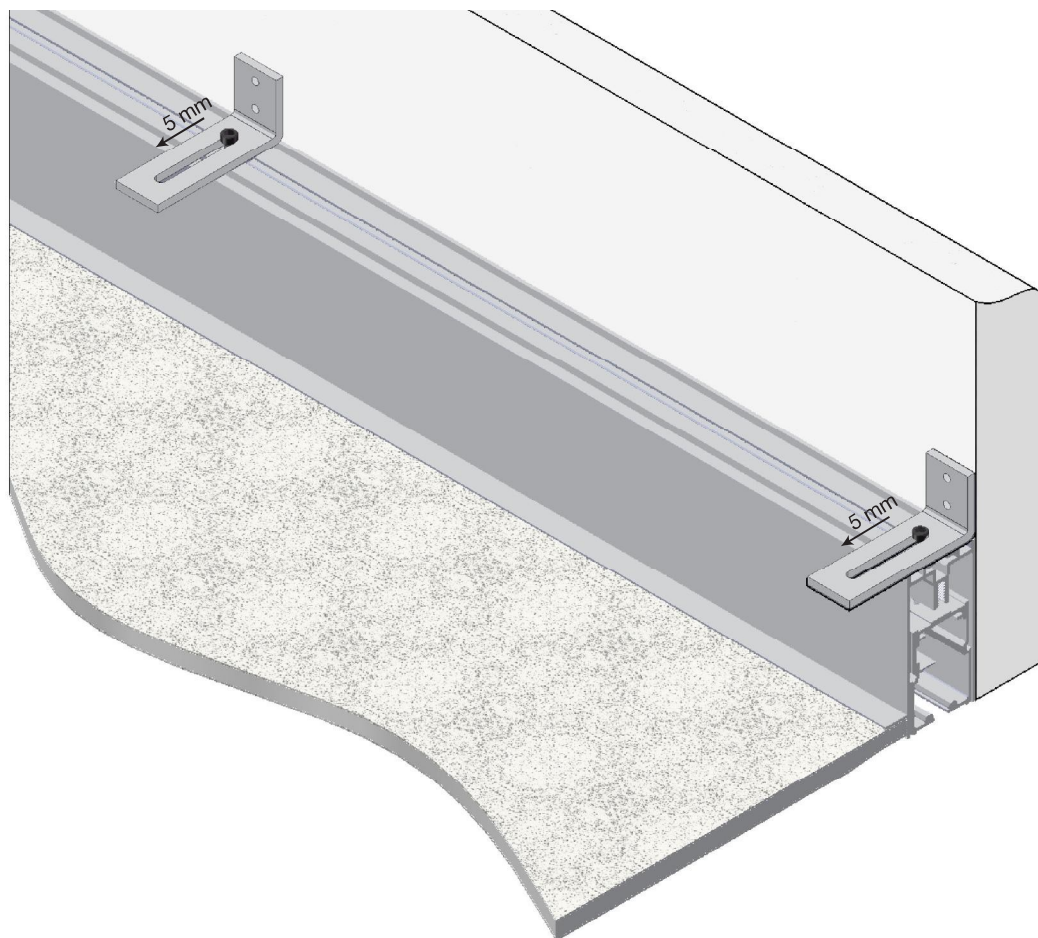


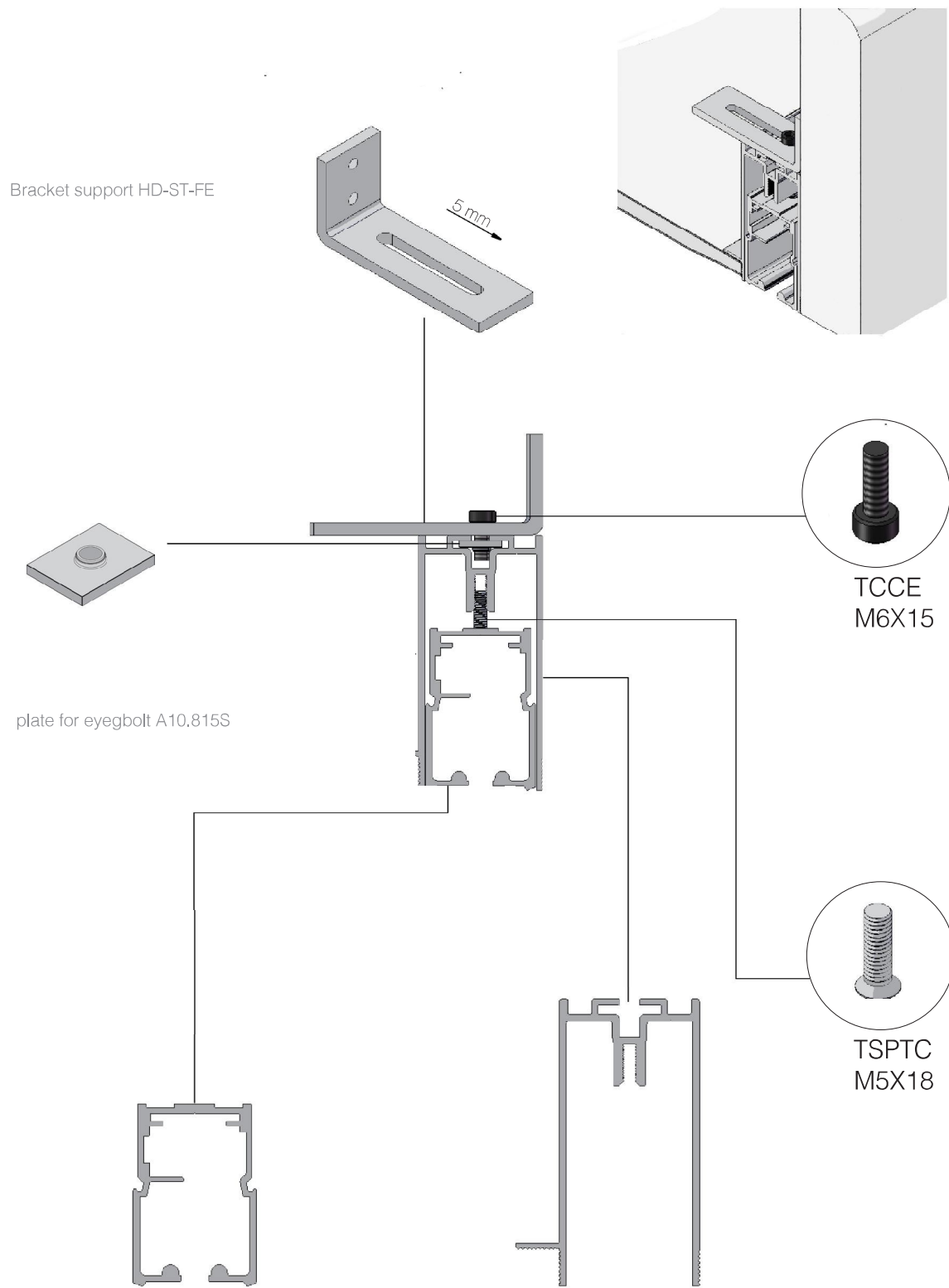
Hidden sestante Sliding door system 3-ways on plasterboard





Hidden sestate Sliding door system 1-way to the wall



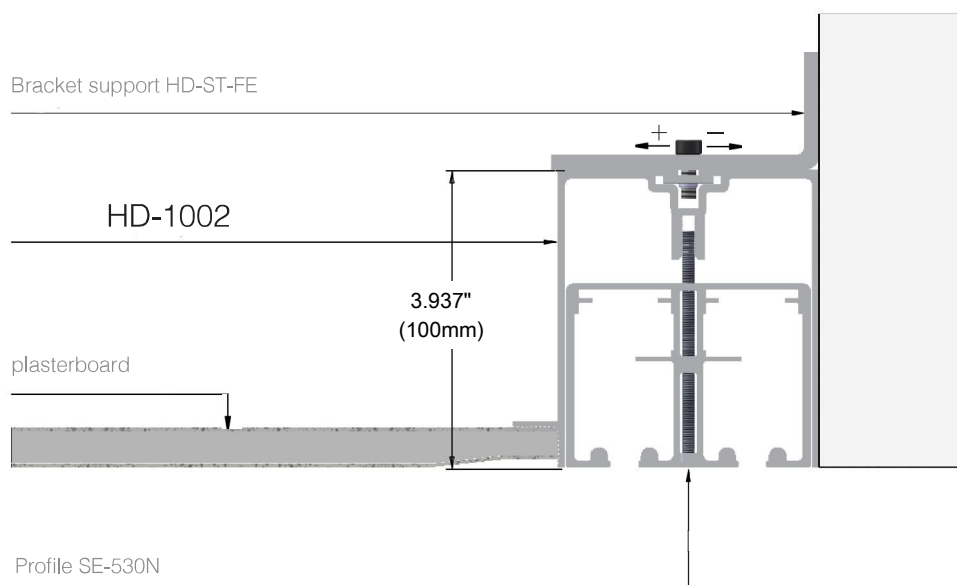
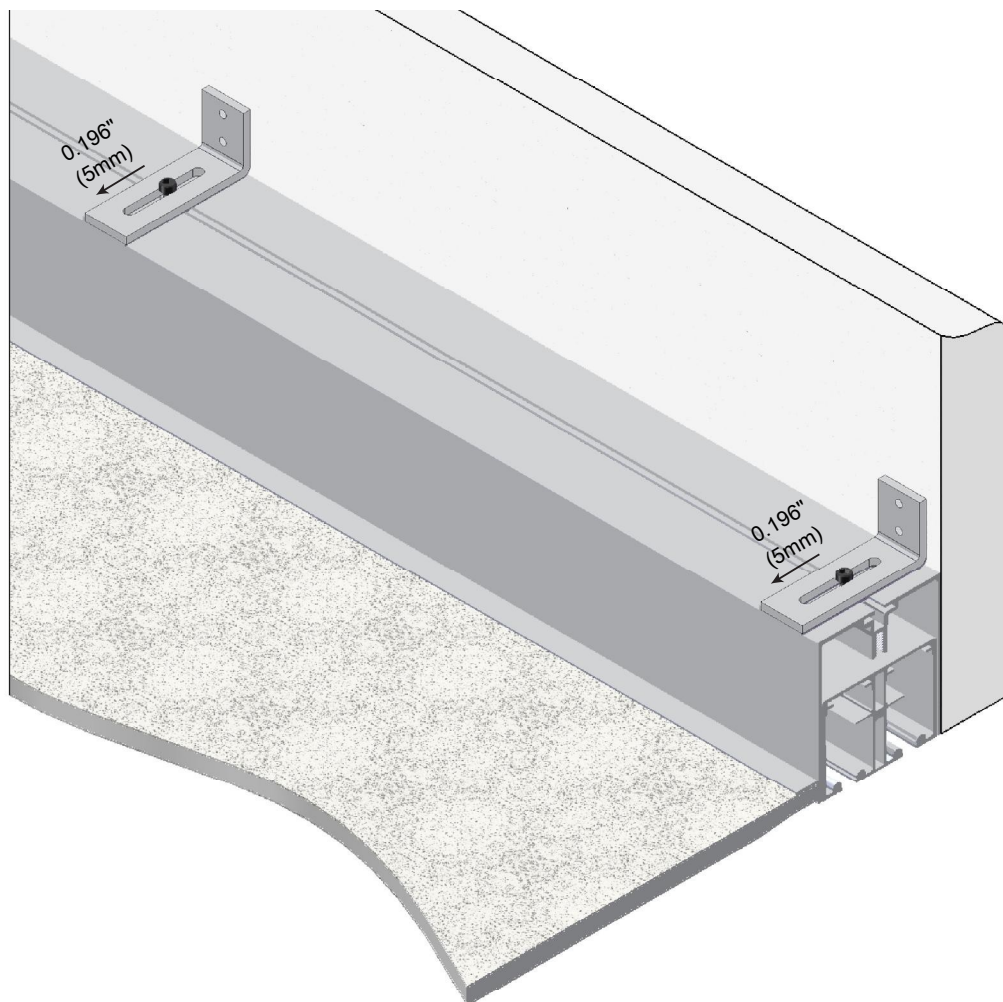


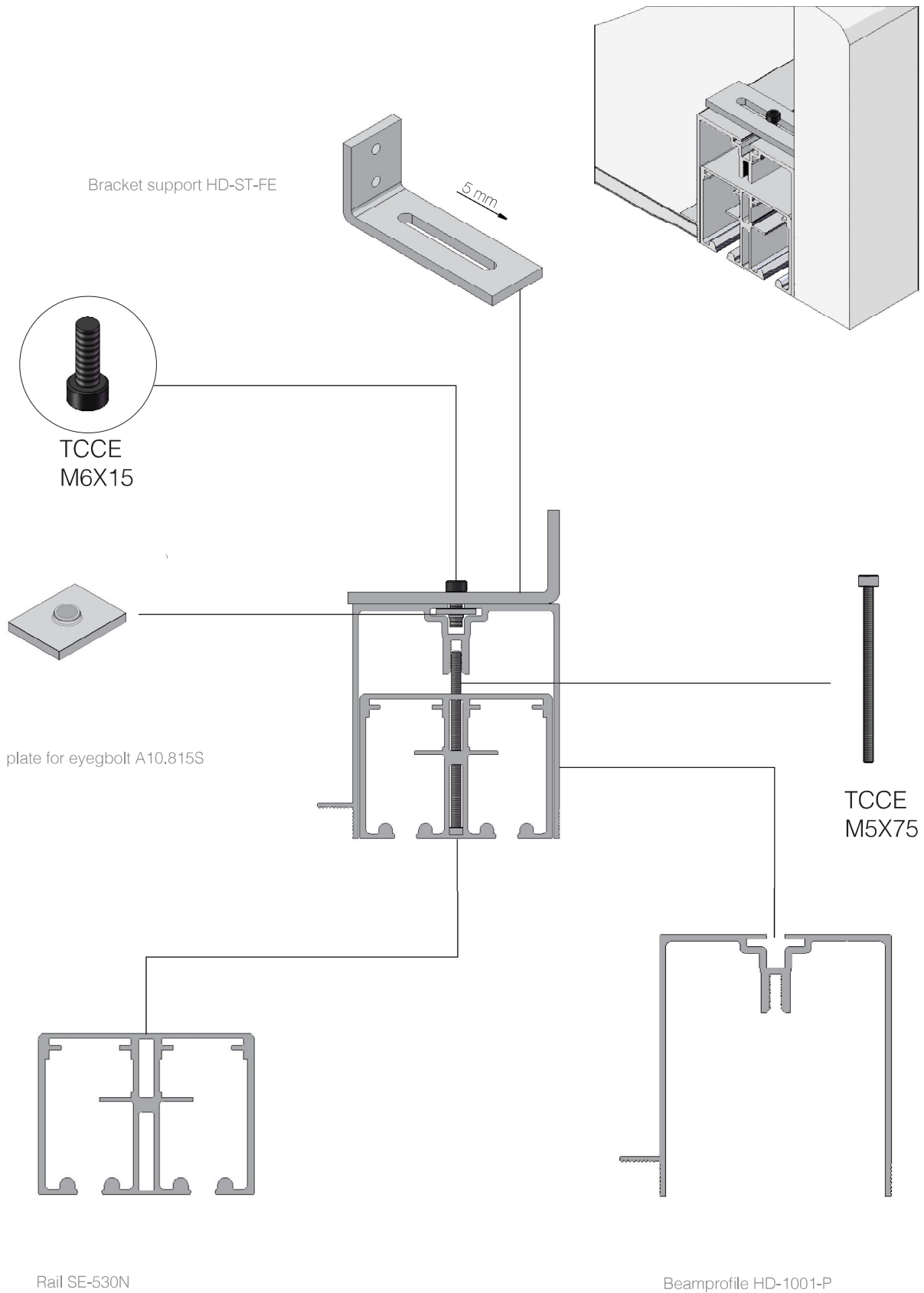
Rail SE-530N

Beamprofile HD-1001-P

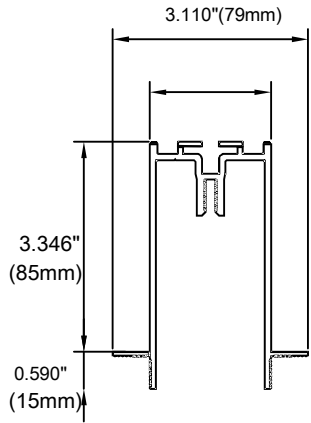


Hidden sestate 2-way system to the wall

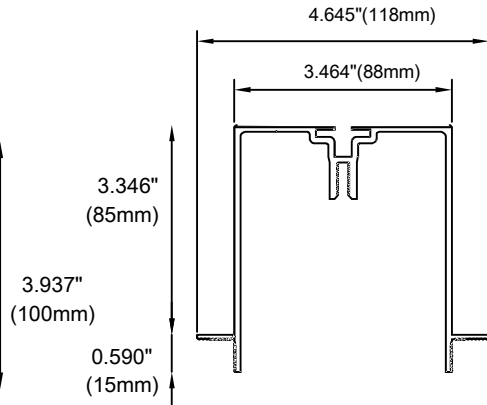




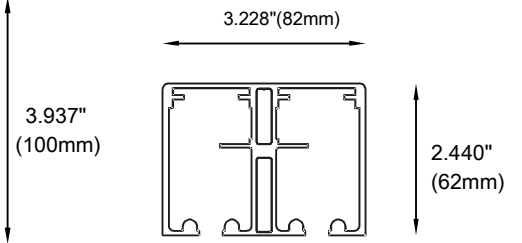
Hidden sestate Technical



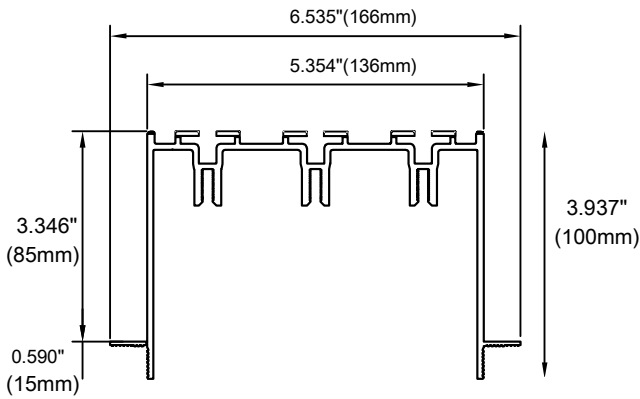
Beamprofile HD-1001 1-way system on plasterboard



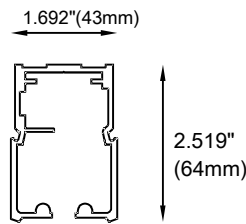
Beamprofile HD-1002 2-ways on plasterboard



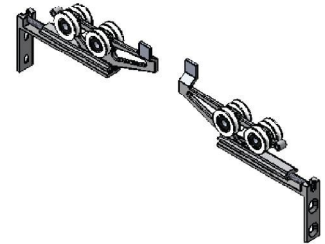
2-ways rail SE-530N



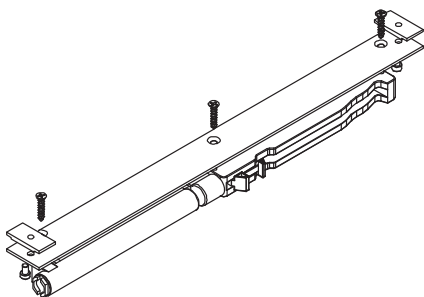
Beamprofile HD-1003 3-way system on plasterboard



1-way rail SE-950N



SE-930 Couple of complete carriges,

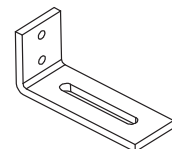


Soft-closing system RSC-940



plate for ringbolt A10.815S

A10.947 Eye-bolt



Bracket support HD-ST-FE